

(12) STANDARD PATENT
(19) AUSTRALIAN PATENT OFFICE

(11) Application No. **AU 2011253777 B2**

(54) Title
Braking devices and methods for use in drilling operations

(51) International Patent Classification(s)
E21B 23/01 (2006.01)

(21) Application No: **2011253777** (22) Date of Filing: **2011.12.01**

(43) Publication Date: **2011.12.22**

(43) Publication Journal Date: **2011.12.22**

(44) Accepted Journal Date: **2012.06.14**

(62) Divisional of:
2009240632

(71) Applicant(s)
Longyear TM, Inc.

(72) Inventor(s)
Drenth, Christopher L.

(74) Agent / Attorney
Phillips Ormonde Fitzpatrick, 367 Collins Street, Melbourne, VIC, 3000

(56) Related Art
US 2005/0034894
US 3126064

ABSTRACT OF THE DISCLOSURE

A braking device for drilling operations in a borehole includes a brake retainer having a plurality of brake connector openings defined therein, a body member having a tapered surface having a first diameter and a second diameter, the second diameter being
5 larger than the first diameter, at least one brake element positioned at least partially between the brake retainer and the body member and in communication with the tapered surface and at least one of the brake connector openings, and a bias member configured to exert a biasing force on the body member to move the body member toward the brake retainer to move the brake element from contact with the first diameter of the tapered
10 surface toward contact with the second diameter.

AUSTRALIA

Patents Act

**COMPLETE SPECIFICATION
(ORIGINAL)**

Class Int. Class

Application Number:
Lodged:

Complete Specification Lodged:
Accepted:
Published:

Priority

Related Art:

Name of Applicant:

Longyear TM, Inc.

Actual Inventor(s):

Christopher L. Drenth

Address for Service and Correspondence:

PHILLIPS ORMONDE FITZPATRICK
Patent and Trade Mark Attorneys
367 Collins Street
Melbourne 3000 AUSTRALIA

Invention Title:

BRAKING DEVICES AND METHODS FOR USE IN DRILLING OPERATIONS

Our Ref : 929787
POF Code: 1062/495201

The following statement is a full description of this invention, including the best method of performing it known to applicant(s):

BRAKING DEVICES AND METHODS FOR USE IN DRILLING OPERATIONS

BACKGROUND OF THE INVENTION

5 1. The Field of the Invention

This application relates generally to drilling methods and devices used in drilling. In particular, this application relates to methods and apparatus for reducing unintended egress of drilling tools from a borehole during a drilling operation.

2. The Relevant Technology

10 Many drilling processes are currently known and used. One type of drilling process, exploration drilling, often includes retrieving a sample of a desired material from a formation. In a conventional process used in exploration drilling, an open-faced drill bit is attached to the bottom or leading edge of a core barrel for retrieving the desired sample. The core barrel includes an outer portion attached to the drill string and an inner portion
15 that collects the sample. The drill string is a series of connected drill rods that are assembled section by section as the core barrel moves deeper into the formation. The core barrel is rotated and/or pushed into the desired formation to obtain a sample of the desired material (often called a core sample). Once the core sample is obtained, the inner portion containing the core sample is retrieved by removing (or tripping out) the entire
20 drill string out of the hole that has been drilled (the borehole). Each section of the drill rod must be sequentially removed from the borehole. The core sample can then be removed from the core barrel.

In a wireline exploration drilling process, the core barrel assembly (or other drilling tool) is positioned on a drill string and advanced into the formation. The core
25 barrel assembly includes an outer portion and an inner tube assembly positioned within the outer portion. The outer portion of the core barrel again is often tipped with a drill bit and is advanced into the formation. However, the inner tube assembly of the core barrel often does not contain a drill bit and is not connected to a drill string. Instead, the inner tube assembly is releasably locked to the outer portion and the entire core barrel assembly
30 is advanced together. When the core sample is obtained, the inner tube assembly is unlocked from the outer portion and is retrieved using a retrieval system. The core sample is then removed and the inner tube assembly placed back into the outer portion using the retrieval system. Thus, the wireline system reduces the time needed to trip drill

2011253777 01 Dec 2011

2011253777 01 Dec 2011

rods of a drill string in and out when obtaining a core sample because the wireline system is used instead.

In some drilling processes, a horizontal or above horizontal borehole is drilled in an upward direction. In such processes using a wireline system, the inner tube assembly is pumped into place using a valve and seal portion on the core barrel assembly by applying hydraulic pressure behind the seal portion, thereby forcing the inner tube assembly into the upwardly oriented borehole. Once the inner tube assembly is in position and locked to the outer portion, the hydraulic pressure is removed and the core barrel assembly advanced. To retrieve the inner tube assembly, a wireline may be pumped into the borehole in a similar process, and the inner tube assembly uncoupled and removed as described above.

While such a process can reduce the time associated with retrieving core samples, difficulties can arise in removing the inner tube assembly. For example, occasionally the inner tube assembly can fall out of the drill string, causing potential hazards to equipment and personnel at the surface as the core barrel assembly exits the borehole at potentially a high velocity.

BRIEF SUMMARY OF THE INVENTION

According to a first aspect of the invention there is provided a core barrel assembly, comprising:

- a retrieval member;
- an inner tube adapted to receive a core sample;
- a brake retainer coupled between said retrieval member and said inner tube, said brake retainer including a first end, a second end, wherein said first end is positioned toward said retrieval member and said second end is positioned toward said inner tube;
- an inner member moveably coupled to said brake retainer; and
- at least one brake element positioned at least partially within said brake retainer;

wherein said at least one brake element has a generally spherical shape wherein movement of said inner member toward said first end of said brake retainer causes said at least one brake element to move at least partially radially outward.

According to a second aspect of the invention there is provided A core barrel assembly, comprising:

- a retrieval member;

an inner tube adapted to receive a core sample;

a latching mechanism adapted to latch said core barrel assembly to a distal end of a drill string; and

a braking mechanism adapted to be secured between said retrieval member and said inner tube, said braking mechanism being adapted to resist unintended motion of said core barrel assembly toward a proximal end of the drill string as said core barrel assembly travels within the drill string, the braking mechanism comprising:

a brake retainer having one or more brake openings, an inner member including a tapered outer surface that tapers radially outward in a direction away from said retrieval member, and one or more brake elements positioned within said one or more brake openings and against said tapered outer surface of said inner member.

A braking device for drilling operations in a borehole includes a brake retainer having a plurality of brake connector openings defined therein, a body member having a tapered surface having a first diameter and a second diameter, the second diameter being larger than the first diameter, at least one brake element positioned at least partially between the brake retainer and the body member and in communication with the tapered surface and at least one of the brake connector openings, and a bias member configured to exert a biasing force on the body member to move the body member toward the brake retainer to move the brake element from contact with the first diameter of the tapered surface toward contact with the second diameter.

These and other objects and features of the present invention will become more fully apparent from the following description and appended claims, or may be learned by the practice of the invention as set forth hereinafter.

BRIEF DESCRIPTION OF THE DRAWINGS

To further clarify the above and other advantages and features of the present invention, a more particular description of the invention will be rendered by reference to specific embodiments thereof which are illustrated in the appended drawings. It is appreciated that these drawings depict only illustrated embodiments of the invention and are therefore not to be considered limiting of its scope. The invention will be described and explained with additional specificity and detail through the use of the accompanying drawings in which:

Fig. 1 illustrates a drilling system with a braking device according to one example;

Fig. 2A illustrates an assembled view of a drilling assembly according to one example;

Fig. 2B illustrates an exploded view of the drilling assembly of Fig. 2A according to one example;

5 Fig. 2C illustrates a cross sectional view of the braking device of Fig. 2B;

Fig. 3A-3B illustrate operation of a braking device in a casing according to one example; and

Fig. 4 illustrates a braking device according to one example.

10 Together with the following description, the Figures demonstrate and explain the principles of the braking devices and methods for using the braking devices in drilling processes. In the Figures, the thickness and configuration of components may be exaggerated for clarity. The same reference numerals in different Figures represent similar, though necessarily identical, components.

15 DETAILED DESCRIPTION OF THE PREFERRED EMBODIMENTS

Devices, assemblies, systems, and methods are provided herein that include a braking device and methods for controlling movement of a drilling assembly, such as a core barrel assembly, at a desired location during horizontal and/or up-hole drilling. The braking device can be incorporated in a drilling system as desired. In at least one
20 example, a braking device is part of an in-hole assembly, such as a wireline system in general and can be part of a core barrel system in particular. In one example, the braking device can be part of a head assembly that can be moved into position relative to an outer casing. In other examples, the braking device can be coupled to or be part of the core barrel.

25 The following description supplies specific details in order to provide a thorough understanding. Nevertheless, the skilled artisan would understand that the apparatus and associated methods of using the apparatus can be implemented and used without employing these specific details. Indeed, the apparatus and associated methods can be placed into practice by modifying the illustrated apparatus and associated methods and
30 can be used in conjunction with any other apparatus and techniques conventionally used in the industry. For example, while the description below focuses on using a braking device in exploratory drilling operations, the apparatus and associated methods could be used in many different processes where devices and tools are inserted into a hole or tubular member, such as well testing, oil and gas drilling operations, pipe cleaning, etc.

2011253777 01 Dec 2011

2011253777 01 Dec 2011

Fig. 1 illustrates a drilling system 100 that includes a sled assembly 105 and a drill head 110. The sled assembly 105 can be coupled to a slide frame 120 as part of a drill rig 130. The drill head 110 is configured to have one or more threaded member(s) 140 coupled thereto. Threaded members can include, without limitation, drill rods and casings. For ease of reference, the tubular threaded member 140 will be described as drill rod. The drill rod 140 can in turn be coupled to additional drill rods to form a drill string 150. In turn, the drill string 150 can be coupled to a core barrel assembly having a drill bit 160 or other in-hole tool configured to interface with the material to be drilled, such as a formation 165.

In the illustrated example, the slide frame 120 can be oriented such that the drill string 150 is generally horizontal or oriented upwardly relative to the horizontal. Further, the drill head 110 is configured to rotate the drill string 150 during a drilling process. In particular, the drill head 110 may vary the speed at which the drill head 110 rotates as well as the direction. The rotational rate of the drill head and/or the torque the drill head 110 transmits to the drill string 150 may be selected as desired according to the drilling process.

The sled assembly 105 can be configured to translate relative to the slide frame 120 to apply an axial force to the drill head 110 to urge the drill bit 160 into the formation 165 as the drill head 110 rotates. In the illustrated example, the drilling system 100 includes a drive assembly 170 that is configured to move the sled assembly 105 relative to the slide frame 120 to apply the axial force to the drill bit 160 as described above. As will be discussed in more detail below, the drill head 110 can be configured in a number of ways to suit various drilling conditions.

The drilling system 100 further includes an in-hole assembly 20 having a braking device 200. The braking device 200 is configured to help prevent unintended expulsion of drilling tools and devices from a borehole in the formation 165. A locking or positioning assembly of a retrieval mechanism (such as a wireline spear point, cable connection, a vacuum pump-in seal, etc.) may be coupled to the proximal end of the braking device so that the braking device is between the drilling assembly and the withdrawal member. In other examples, the braking device 200 can be integrally formed with the retrieval mechanism. In the example described below, the braking device 200 includes brake elements configured to selectively engage an inner surface of an outer casing or an inner surface of a bore-hole wall.

2011253777 01 Dec 2011

5 A biasing member (such as a spring) maintains brake elements in contact with a tapered surface and the inner wall so that some friction can exist at all times if desired. In this arrangement, the friction of the braking elements increases as the tapered surface is pushed into increasing engagement with the braking elements. Thus, as a force is applied on the drilling assembly in the direction out of the borehole, the tapered surface is pressed into the braking elements. The result of this action increases the friction between the braking elements and the inner wall, causing the drilling assembly to brake and, with sufficient force, stop in the borehole. Yet an opposite force applied to the withdrawal member pulls the braking elements away from the conical surface and allows the drilling tool to move and exit the borehole.

10 Such a braking device may be useful in both down-hole and up-hole drilling operations. In up-hole drilling operations, where the borehole is drilled at an upward angle, the assembly may be pumped into the borehole using any suitable techniques and/or components to allow a wireline retrieval system to be used. Thus, the braking device 200 can allow wireline retrieval systems to be used in up-hole drilling operations without the danger of the assembly sliding out of the drillstring in an uncontrolled and possibly unsafe manner. Accordingly, the braking device 200 resists unintended removal or expulsion of the drilling assembly from the borehole by engaging braking elements in a frictional arrangement between an inner wall of the casing or drill string (or borehole).

15 20 Fig. 2A illustrates an in-hole drilling tool assembly 20, such as an inner tube assembly, that includes a braking device 200. The braking device 200 can be coupled to a positioning mechanism, such as a latch assembly 21 that is configured to selectively engage an outer casing and/or a bore-hole wall. A drilling apparatus, such as an inner tube 22 can be coupled to the bit end of the latch assembly 21. It will be appreciated that in some examples the latch assembly 21 can be integrated with the braking device 200.

25 30 Fig. 2B is an exploded view of the in-hole assembly 20 illustrated in Fig. 2A. As illustrated in Fig. 2B, the braking device 200 may include a first member 210, a second member 220, a brake retainer 230, a sleeve 240, a bias member 250, and retrieval member 260. Movement of the second member 220 relative to the brake retainer 230 causes features on the second member 220 to move the brake elements 234 radially inward and outward to thereby disengage and engage the braking device 200. The sleeve 240 can provide a gripping surface to manually lock the braking device 200 in a pre-deployed, disengaged state. The bias member 250 urges the second member 220 toward the brake retainer 230 to thereby move the braking device 200 toward an engaged state.

2011253777 01 Dec 2011

Subsequent forces acting to move the second member 220 away from the brake retainer 230 will thereby overcome forces exerted by the biasing member 250 to thereby move the braking device 200 to disengaged state.

5 The braking device 200 may be a section of a larger drilling tool or drilling assembly such as a core barrel assembly, slough removal assembly, or any other drilling tool for use in a bore hole, including a drill string or a casing string. For ease of reference, the terms proximal and distal will be used to describe the relative positions of various components relative to a drill head. Accordingly, a proximal portion of a component will be described as being relatively closer to the drill head than a distal portion of the same component. It will be appreciated that the in-hole assembly 20 can be oriented in other positions as desired to provide the desired function of the braking device. In the illustrated example, the first member 210 is positioned proximally of the second member 220.

15 As shown in Fig. 2C, a proximal end 210A of the first member 210 is coupled to the retrieval member 260. The first member 210 may include a channel 212 to slidingly receive at least a portion of the second member 220. The first member 210 may be coupled to the retrieval member 260 with any known connection device or method. For example, in various embodiments, the first member 210 may be coupled to the retrieval member with a pin, key, bolt or bolts, welding, threaded connection, unitary construction, etc. Similarly, the first member 210 may be coupled to the brake retainer 230 using any known connection device or method, such as a threaded connection formed on the distal end 210B and corresponding threads formed in the brake retainer 230. In other examples, the brake retainer 230 can be coupled to the distal end 210B of the first member 210 by mating holes and a spring pin retainer. In still other examples, the first member 210 and the brake retainer 230 may form a single, integral component.

25 Referring again to Fig. 2B, the second member 220 includes a proximal end 220A and a distal end 220B. At least part of the second member 220 between the proximal end 220A and the distal end 220B has a tapered profile with a diameter that increases between the proximal end 220A and the distal end 220B. In the illustrated example, a tapered surface 222 is provided. The tapered surface 222 can have a generally conic profile. The proximal end 220A of the second member 220 includes a shaft 224. The shaft 224 is in communication with a shoulder 226, which is in further communication with a guide cylinder 228. The guide cylinder 228 is in communication with the conical surface 222.

2011253777 01 Dec 2011

The brake retainer 230 includes a proximal end 230A and a distal end 230B. The proximal end 230A can include a threaded portion 231 and a shaft 232 extending proximally from the threaded portion 231. A shoulder 226 is formed at the transition between the shaft 232 and the threaded portion 231.

5 As illustrated in Fig. 2C, the brake retainer 230 is configured to position the brake elements 234 relative to the conical surface 222. In the illustrated example, the brake retainer 230 includes brake connectors 235 (also shown in Fig. 2B) defined therein. The brake connectors 235 are configured to at least partially receive the brake elements 234 in such a manner that engagement between various portions of the conical surface 222
10 moves the brake elements 234 radially. The radial movement of the brake elements 234 through engagement with the conical surfaces 222 moves the braking device 200 between an engaged and disengaged state.

Accordingly, the brake connectors 235 (Fig. 2B) maintain the brake elements 234 in a desired configuration around brake retainer 230 in relation to the conical surface 222.
15 All of the brake connectors 235, however, need not contain a brake element 234, depending on the braking force desired for a particular operation. For example, the brake connectors 235 not occupied by a brake element 234 may allow fluid flow into the channel 212 of first member 210. As will be appreciated in light of the disclosure provided herein, the number of brake elements can be selected as desired.

20 The bias member 250 is configured to exert a biasing force to urge the second member 220 in a desired direction relative to the brake retainer 230. In the illustrated example, the bias member 250 exerts a biasing force to move the second member 220 toward the brake retainer 230. While one example will be described, it will be appreciated that a bias member can be positioned at any location to exert a biasing force
25 in any desired direction to move tapered surface into selective contact with brake elements.

In Fig. 2C, the bias member 250 is positioned on the shaft 224 on the proximal end 220A of the second member 220. In particular, the shaft 224 can be passed through the brake retainer 230 and through the threaded portion 231 and the shaft 232 on the
30 proximal end 230A of the brake retainer 230. Accordingly, the shaft 224 of the second member 220 can extend proximally of the shaft 232 of the brake retainer 230. The bias member 250 can then be positioned over the shaft 232.

A fastener 252, such as a threaded nut, can then be secured to the shaft 224 to thereby position the bias member 250 between the shoulder 226 on the brake retainer 230

2011253777 01 Dec 2011

and the fastener 252 on the shaft. Such a configuration causes the bias member 250 to move the second member 220 toward the brake retainer 230. As the bias member 250 moves toward the second member 220 as shown in Fig. 2C, the brake elements 234 are in contact with a portion of the conical surface 222 that has a sufficiently large diameter to cause the brake elements 234 to extend through the brake connectors 235. Extension of the brake elements 234 through the brake connectors 235 allows the brake elements 234 to engage an inner surface of a casing or borehole wall. Accordingly, relative movement between the second member 220 and the brake retainer 230 causes varying portions of the conical surface 222 to engage the brake elements 234 to thereby move the braking device 200 between engaged and disengaged states.

The fastener 252 may be moved to adjust the biased position of the brake elements 234 on the conical surface 222, depending on braking requirements and small variations in the diameter of an outer tube, rod, or the like. Such adjustments to the fastener 252 allow modification to the static braking force applied when braking device is placed into any known casing.

Contact between the shoulder 226 on the proximal end 220A of the second member 220 constrains proximal movement of the second member 220 relative to the brake retainer 230 while engagement between the fastener 252 and the shaft 232 constrains distal movement. Engagement between the guide cylinder 228 and the brake retainer 230 can help provide lateral stability between the second member 220 and the brake retainer 230. One exemplary method of deploying the braking device 200 will now be discussed in more detail with reference to Figs. 3A-3B.

Fig. 3A illustrates the braking device 200 during an initial placement step. As illustrated in Fig. 3A, the sleeve 240 may be used with braking device 200 to aid in placement of braking device 200 in the desired location of an outer portion 300. As illustrated in Fig. 3A, the braking device 200 can be biased in a disengaged configuration with brake elements 234 within the brake retainer 230. As a result, the sleeve 240 can be used during the initial placement of the braking device 200 into outer portion 300. For example, sleeve 240 may be manually employed by pulling second member 220 away from brake retainer 230, thereby moving brake elements 234 toward engagement with the smaller diameter portion of conical surface 222 and allowing brake elements 234 to retract into brake retainer 230. Sleeve 240 has a slot 244 defined therein

A similar slot 229 (Fig. 2B) can be defined in the second member 220 (Fig. 2B) while a slightly larger slot 239 can be defined in the brake retainer 230. In such a

2011253777 01 Dec 2011

configuration, the slots 229, 239 and 244 can be aligned to allow the sleeve 240 to draw the second member 220 away from the brake retainer 230. In some instances a pin 246 can then be used to manually move the braking device 200 toward a disengaged position. In particular, the pin 246 can pass through slots 229, 239, 244 (Fig. 2B). Such a configuration transfers movement of the sleeve 240 to the pin 246 and from the pin to the second member 220 as the pin 246 moves within slot 239. Accordingly, the sleeve 240 can be moved distally by gripping the first member 210 and the sleeve 240 and moving the sleeve 240 to the position illustrated in Fig. 3A to move the braking device 200 toward a disengaged position. While the braking device 200 is disengaged, can be positioned in the outer portion 300. Thereafter, the sleeve 240 can be released causing the braking device 200 to engage the outer portion 300, as shown in Fig. 3B.

Fig. 3B illustrates the braking device 200 being used in combination with the outer portion 300 and will be used to described the operation and function of the braking device 200. As shown in Fig. 3B, the braking device 200 may be located in outer portion 300 and connected to any of the drilling tools described above or any other drilling tools. The bias member 250 biases brake retainer 230 and second member 220 together, causing brake elements 234 into engagement with the larger diameter portion of conical surface 222. The result of this action forces the brake elements 234 to extend from the outer surface of the brake retainer 230 and against the inner surface of outer portion 300 (or, in some embodiments, an inner surface of a borehole).

The force of the bias member 250 may be such that brake elements 234 are maintained in no, partial, or complete contact with both conical surface 222 and the inner surface of outer portion 300. When in no or partial contact, the braking device 200 is allowed to travel axially within the outer portion 300. When in complete contact, the braking device 200 is stopped from traveling axially, thereby also stopping the movement of the tool which it is part of or to which it is attached.

The braking device 200 is often not engaged when it is first placed in a borehole. In a down-hole placement, the weight of the assembly attached to the distal end of braking device 200, illustrated as force F_g acting on the second member 220, causes second member 220 and first member 210 to be pulled apart, disengaging braking device 200. In an up-hole (or pressurized down-hole) placement, as shown in Fig. 1, a pump-in seal may be included in the assembly attached to a distal end of braking device 200 that the pump-in seal is positioned distally from the second member 220. The pump-in seal creates a seal between the attached assembly and the borehole.

2011253777 01 Dec 2011

Pressurized fluid directed proximally in the hole is incident on the braking device 200. This fluid flows past the braking device 200 via ridges 242 (Fig. 2B) in the sleeve 240, and against the pump-in seal described above. The force of the pressurized fluid against the pump-in seal, illustrated as F_p acting on the second member 220, exerts a proximal force on the pump-in seal, which also acts to draw the second member 220 proximally as well. This proximal force draws the second member 220 away from the brake retainer 230 to thereby disengage the braking device 200 while an opposite axial force, acts in the opposite direction. In up-hole operations gravitational forces acting in the same direction as F_n also acts to draw the first portion 210 and the brake retainer 230 away from the second portion 220.

When engaged, the braking device 200 can prevent or slow the proximal movement of an attached drilling tool within outer portion 300. The braking device 200 can be engaged when a force generally labeled as F_d is applied in a proximal direction to second member 220. Such a force causes the second member 220, and thereby conical surface 222, to press into the brake retainer 230. This action, in turn, causes the brake elements 234 to be compressed between the conical surface 222 and the inner surface of outer portion 300, causing friction between the brake elements 234 and that inner surface. As the force increases, the friction of the brake elements 234 increases and consequently the braking force increases against that inner surface as the diameter of the portion of the conical surface 222 engaging the brake elements 234 increases. Slowing and/or stopping the proximal movement of the braking device 200 within the outer portion 300. The force F_d may be caused by the weight of a drilling assembly in an up-hole operation or by pressure of fluids/gasses underground or at a distal end of the outer portion 300 in a down-hole operation.

The braking device 200 may be removed from the outer portion 300 (or other tubular member in which it is located) at any time by any suitable removal processes. For example, when an outward (or proximal) force, labeled as F_n is applied to the retrieval member 260 to remove the braking device 200 from outer portion 300, the first member 210 is pulled away from second member 220 and relieves the compressive force on brake elements 234. The result of this action permits brake elements 234 to travel to engagement with a smaller diameter portion of the conical surface 222, releasing the braking device 200 and allowing it to be withdrawn from the outer portion 300.

2011253777 01 Dec 2011

Accordingly, an outward force applied to the retrieval member 260 disengages the braking device 200 and allows withdrawal of the braking device 200 (and any attached devices, such as the drilling assembly) from the outer portion 300.

5 In some embodiments, the braking device 200 may have other uses. For example, the braking device 200 may be used as a plug in a drill rod string, or any conduit, having pressure at a distal location. Braking device 200 automatically engages due to any difference in distal and proximal pressures sufficient to press second member 220 into brake retainer 230. In another example, the braking device 200 can be used to explore for a broken portion of a drill rod string or conduit by inserting under pressure until
10 prevented by deformed members or by pressure loss.

Any components or devices can be provided to allow linear movement of the second member 220 with respect to the brake retainer while maintaining a coupled relationship. The brake elements 234 may have a shape substantially matching the shape of the brake connectors 235 in the brake retainer 230. For example, the brake elements
15 234 may be substantially spherical in shape corresponding to a round shape of the brake connectors 235. In other examples, the brake elements 234 may be flat, may have a cylindrical shape, or may have a wedge shape, to increase the braking surface area of the brake elements 234 against a casing and/or a conical surface. In other embodiments, the brake elements 234 may be of any shape and design desired to accomplish any desired
20 braking characteristics.

The brake elements 234 may be made of any material suitable for being used as a compressive friction braking element. For example, the brake elements 234 may be made of steel, or other iron alloys, titanium and titanium alloys, compounds using aramid fibers, lubrication impregnated nylons or plastics, or combinations thereof. The material
25 used for any brake elements can be the same or different than any other brake element.

The retrieval member 260 may be any tool or apparatus that can be used with any connection or retrieval system or mechanism known in the art. In some embodiments, the retrieval members may comprise a spear point that can be connected to a wireline system, as shown above. In other embodiments, retrieval member 260 may be coupled to a cable
30 using a clevis or other cable attachment devices. In yet other embodiments, retrieval member 260 may be a connector for coupling to a rigid pipe.

While one configuration is illustrated, it will be appreciated that a first member can be configured in any desired manner or omitted entirely. In at least one example shown in Fig. 4, a first member 210' can be provided as an integrated overshot assembly.

2011253777 01 Dec 2011

In such an example, a brake retainer 230' and/or sleeve 240' can be secured to a distal end 210B' of the integrated overshot assembly 210'. A second member 220' can be coupled to the brake retainer 230' to function as described above. Further, it will be appreciated that any configuration can be provided or that a first member can be omitted
5 entirely and a brake retainer and second member can be coupled to any other components.

In addition to any previously indicated modification, numerous other variations and alternative arrangements may be devised by those skilled in the art without departing from the spirit and scope of this description, and appended claims are intended to cover such modifications and arrangements. Thus, while the information has been described
10 above with particularity and detail in connection with what is presently deemed to be the most practical and preferred aspects, it will be apparent to those of ordinary skill in the art that numerous modifications, including, but not limited to, form, function, manner of operation and use may be made without departing from the principles and concepts set forth herein. Also, as used herein, examples are meant to be illustrative only and should
15 not be construed to be limiting in any manner.

The present invention may be embodied in other specific forms without departing from its spirit or essential characteristics. The described embodiments are to be considered in all respects only as illustrative and not restrictive. The scope of the invention is, therefore, indicated by the appended claims rather than by the foregoing
20 description. All changes which come within the meaning and range of equivalency of the claims are to be embraced within their scope.

It is understood that any acknowledgement of any prior art in this specification is not to be taken as an admission that this acknowledged prior art forms part of the common general knowledge in Australia or elsewhere.
25

CLAIMS

What is claimed is:

1. A core barrel assembly, comprising:
a retrieval member;
5 an inner tube adapted to receive a core sample;
a brake retainer coupled between said retrieval member and said inner tube, said
brake retainer including a first end, a second end, wherein said first end is positioned
toward said retrieval member and said second end is positioned toward said inner tube;
an inner member moveably coupled to said brake retainer; and
10 at least one brake element positioned at least partially within said brake retainer;
wherein said at least one brake element has a generally spherical shape wherein
movement of said inner member toward said first end of said brake retainer causes said at
least one brake element to move at least partially radially outward.

15 2. The core barrel assembly as recited in claim 1, wherein said inner member
comprises:
a first end positioned toward said retrieval member;
a second end positioned toward said inner tube; and
an outer surface that tapers radially outward from said first end of said inner
20 member to said second end of said inner member.

3. The core barrel assembly as recited in claim 2, wherein said at least one
brake element is positioned between said inner member and said brake retainer.

25 4. The core barrel assembly as recited in claim 2, further comprising a
biasing member configured to bias said at least one brake element radially outward.

5. The assembly as recited in claim 4, wherein said biasing member is
adapted to bias said brake retainer toward said inner member thereby causing said at least
30 one brake element to move along said outer surface of said inner member.

6. A core barrel assembly, comprising:
a retrieval member;
an inner tube adapted to receive a core sample;

2011253777 01 Dec 2011

a latching mechanism adapted to latch said core barrel assembly to a distal end of a drill string; and

a braking mechanism adapted to be secured between said retrieval member and said inner tube, said braking mechanism being adapted to resist unintended motion of said core barrel assembly toward a proximal end of the drill string as said core barrel assembly travels within the drill string, the braking mechanism comprising:

a brake retainer having one or more brake openings, an inner member including a tapered outer surface that tapers radially outward in a direction away from said retrieval member, and one or more brake elements positioned within said one or more brake openings and against said tapered outer surface of said inner member.

7. The core barrel assembly as recited in claim 6, wherein said one or more brake elements are generally spherical.

8. The core barrel assembly as recited in claim 6, wherein said tapered outer surface of said inner member tapers radially outward from a first end positioned toward said retrieval member to a second end positioned toward said inner tube.

9. A core barrel assembly substantially as herein described with reference to the accompanying figures.

2011253777 01 Dec 2011

5

10

15

20

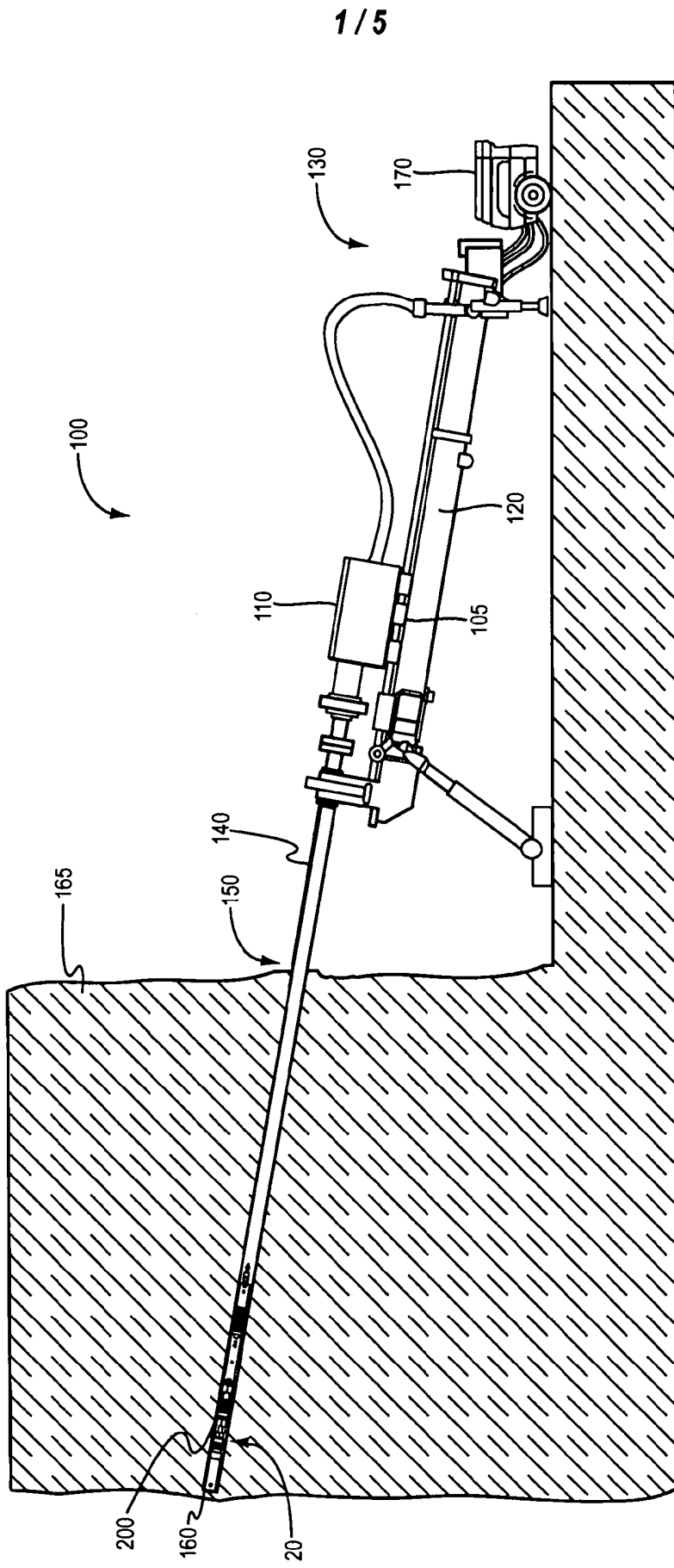


FIG. 1

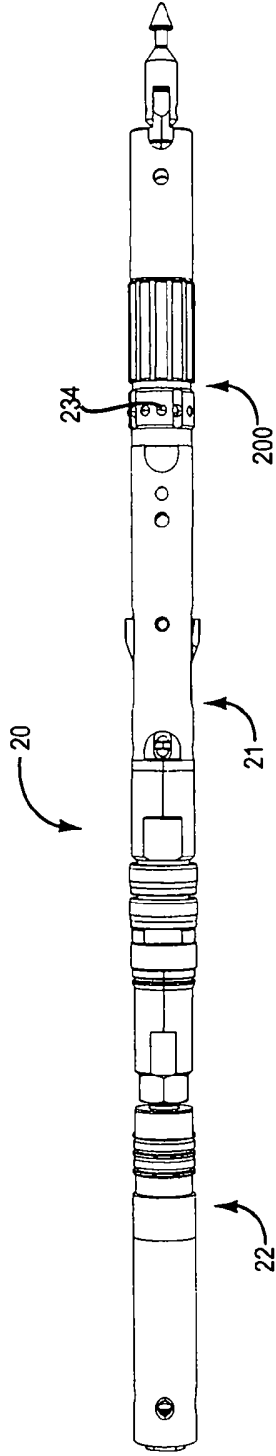


FIG. 2A

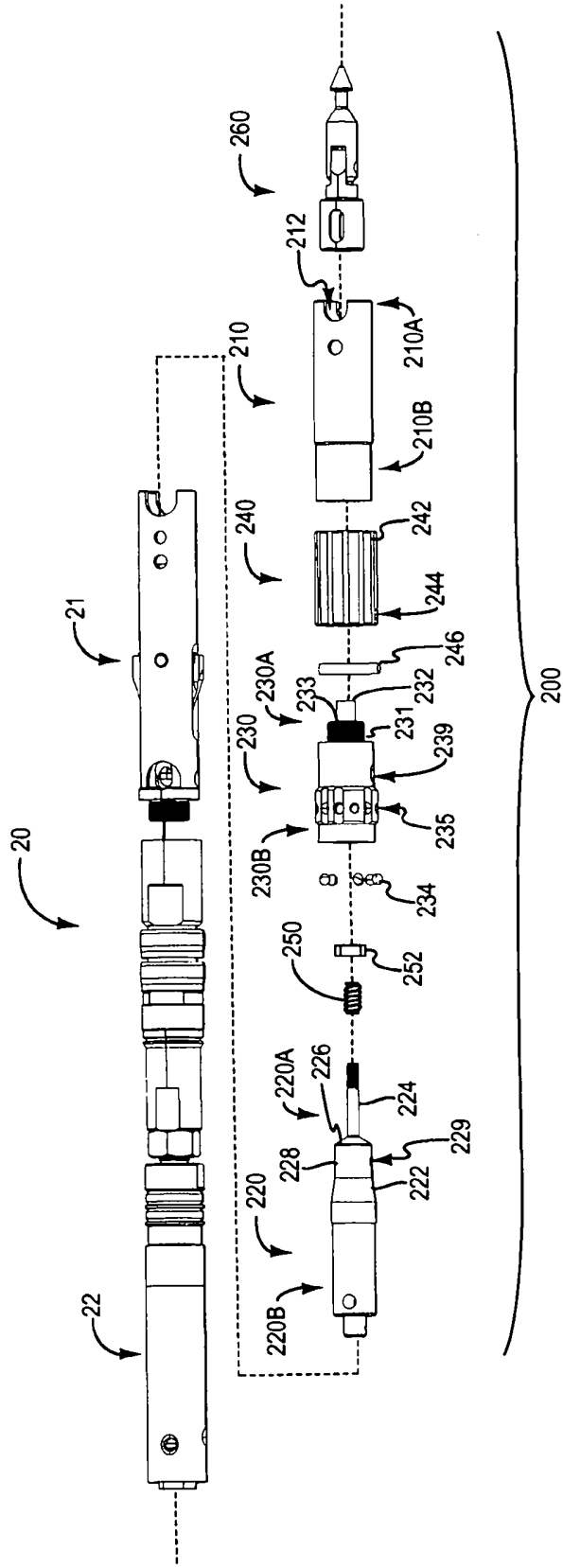


FIG. 2B

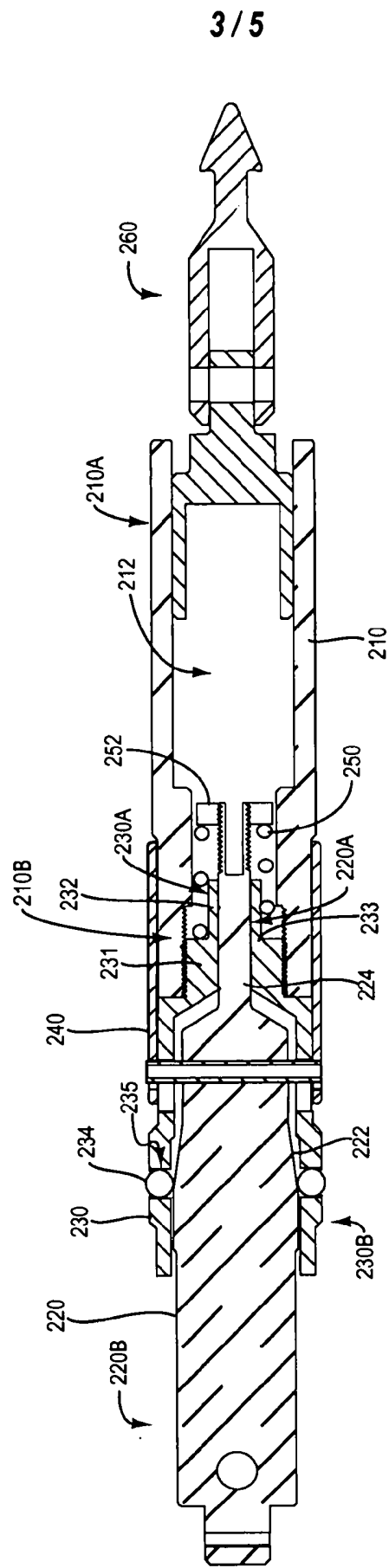


FIG. 2C

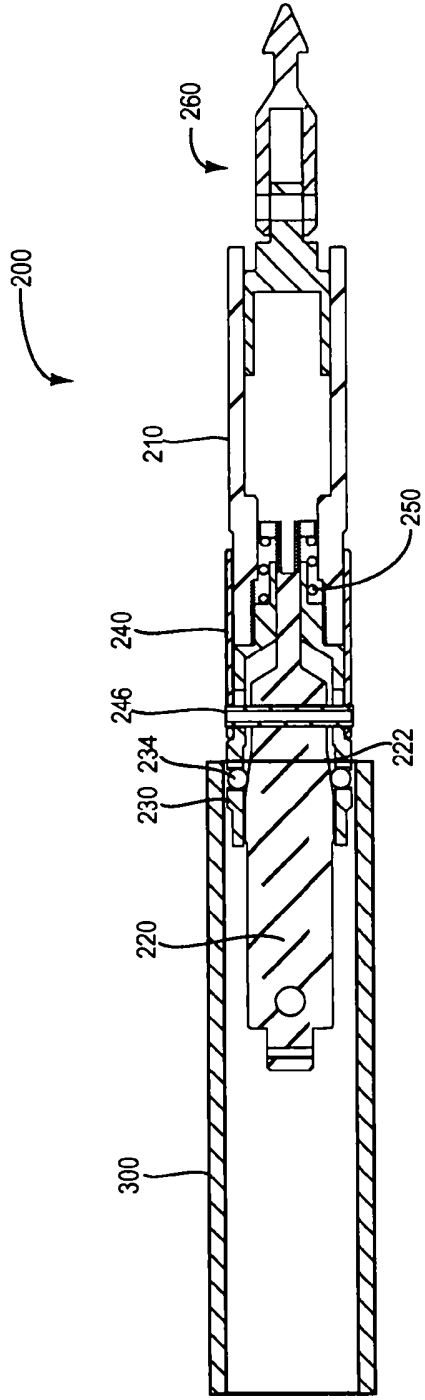


FIG. 3A

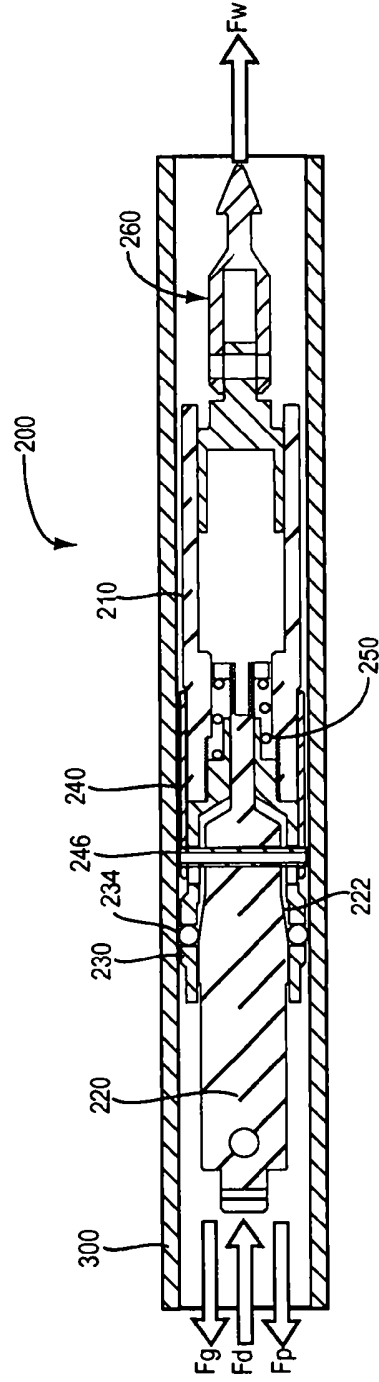


FIG. 3B

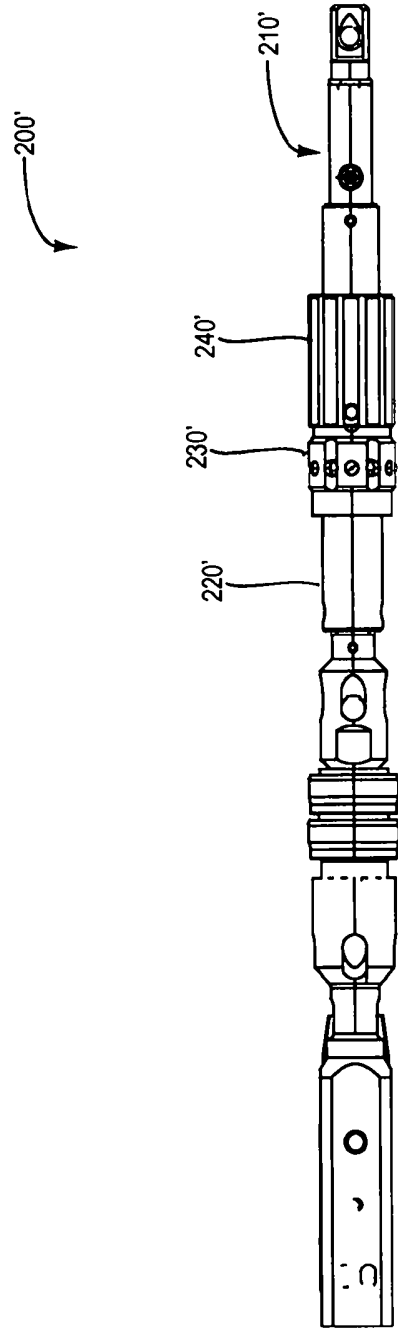


FIG. 4