



US00D849932S

(12) **United States Design Patent**
Caprice et al.

(10) **Patent No.:** **US D849,932 S**

(45) **Date of Patent:** **** May 28, 2019**

(54) **MASK WITH SNORKEL**

(71) Applicant: **Decathlon S.A.**, Villeneuve D'Ascq (FR)

(72) Inventors: **Cédric Caprice**, Biarritz (FR); **Vivien Durisotti**, Conflans Sainte Honorine (FR); **Antoine Frisch**, Conflans Sainte Honorine (FR)

(73) Assignee: **DECATHLON S.A.**, Villeneuve d'Ascq (FR)

(**) Term: **15 Years**

(21) Appl. No.: **29/581,918**

(22) Filed: **Oct. 24, 2016**

Related U.S. Application Data

(63) Continuation of application No. 29/489,967, filed on May 5, 2014, now Pat. No. Des. 775,722.

(30) **Foreign Application Priority Data**

Nov. 6, 2013 (EM) 002340224-0001

(51) **LOC (11) Cl.** **29-02**

(52) **U.S. Cl.**
USPC **D24/110.2**

(58) **Field of Classification Search**
USPC D24/110-110.6; D29/110
(Continued)

(56) **References Cited**

U.S. PATENT DOCUMENTS

D320,870 S * 10/1991 Asbury D29/108
D503,498 S * 3/2005 Canavan D29/110
(Continued)

Primary Examiner — Lilyana Bekic

(74) *Attorney, Agent, or Firm* — Fross Zelnick Lehrman & Zissu, P.C.; Charles T. J. Weigell, Esq.

(57) **CLAIM**

The ornamental design for a mask with snorkel, as shown and described.

DESCRIPTION

FIG. 1 is a front perspective view of a mask with snorkel showing our new design;

FIG. 2 is a front view of the mask with snorkel shown in FIG. 1;

FIG. 3 is a back view of the mask with snorkel shown in FIG. 1;

FIG. 4 is a side view of the mask with snorkel shown in FIG. 1;

FIG. 5 is the other side view of the mask with snorkel shown in FIG. 1

FIG. 6 is a top view of the mask with snorkel shown in FIG. 1;

FIG. 7 is a bottom view of the mask with snorkel shown in FIG. 1;

FIG. 8 is a front perspective view of the mask with snorkel with the face shield removed for ease of illustration;

FIG. 9 is a front view of the mask with snorkel shown in FIG. 8;

FIG. 10 is a back view of the mask with snorkel shown in FIG. 8;

FIG. 11 is a side view of the mask with snorkel shown in FIG. 8;

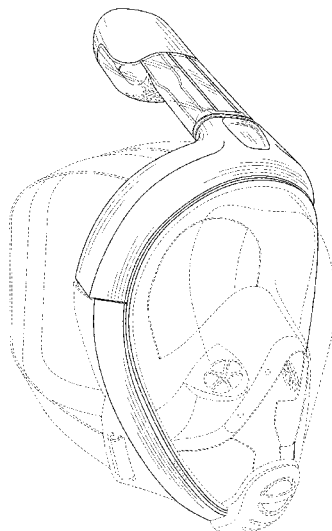
FIG. 12 is the other side view of the mask with snorkel shown in FIG. 8

FIG. 13 is a top view of the mask with snorkel shown in FIG. 8; and,

FIG. 14 is a bottom view of the mask with snorkel shown in FIG. 8.

The broken lines in the drawings illustrate portions of the mask with snorkel that form no part of the claimed design.

1 Claim, 14 Drawing Sheets



(58) **Field of Classification Search**CPC B63C 11/205; B63C 11/16; B63C 11/186;
B63C 11/12

See application file for complete search history.

(56) **References Cited**

U.S. PATENT DOCUMENTS

D511,865 S * 11/2005 Canavan D29/122
D512,187 S * 11/2005 Canavan et al.
D552,233 S * 10/2007 Trujillo D24/110.2
D582,547 S * 12/2008 Ungar D24/110.1
D593,197 S * 5/2009 Todd D24/110.2
D602,154 S * 10/2009 Ono D24/110.2
8,225,421 B1 * 7/2012 Froissard A42B 3/225
2/410
D668,327 S * 10/2012 Sumner D24/110.2
D668,758 S * 10/2012 Hall D24/110.2
D775,722 S * 1/2017 Caprice D24/110.2
D802,220 S * 11/2017 Farias D29/110
2001/0013346 A1 * 8/2001 Lemke B63C 11/16
128/201.11
2005/0051164 A1 * 3/2005 Hutter B63C 11/16
128/201.11
2006/0037607 A1 * 2/2006 Trujillo B63C 11/16
128/201.11
2013/0074835 A1 * 3/2013 Newhouse B63C 11/16
128/201.11
2016/0127716 A1 * 5/2016 Ramiro H04N 13/044
348/53
2016/0297505 A1 * 10/2016 Caprice B63C 11/16
2017/0096204 A1 * 4/2017 Cucchia B63C 11/12
2017/0334531 A1 * 11/2017 Shiue B63C 11/16

* cited by examiner

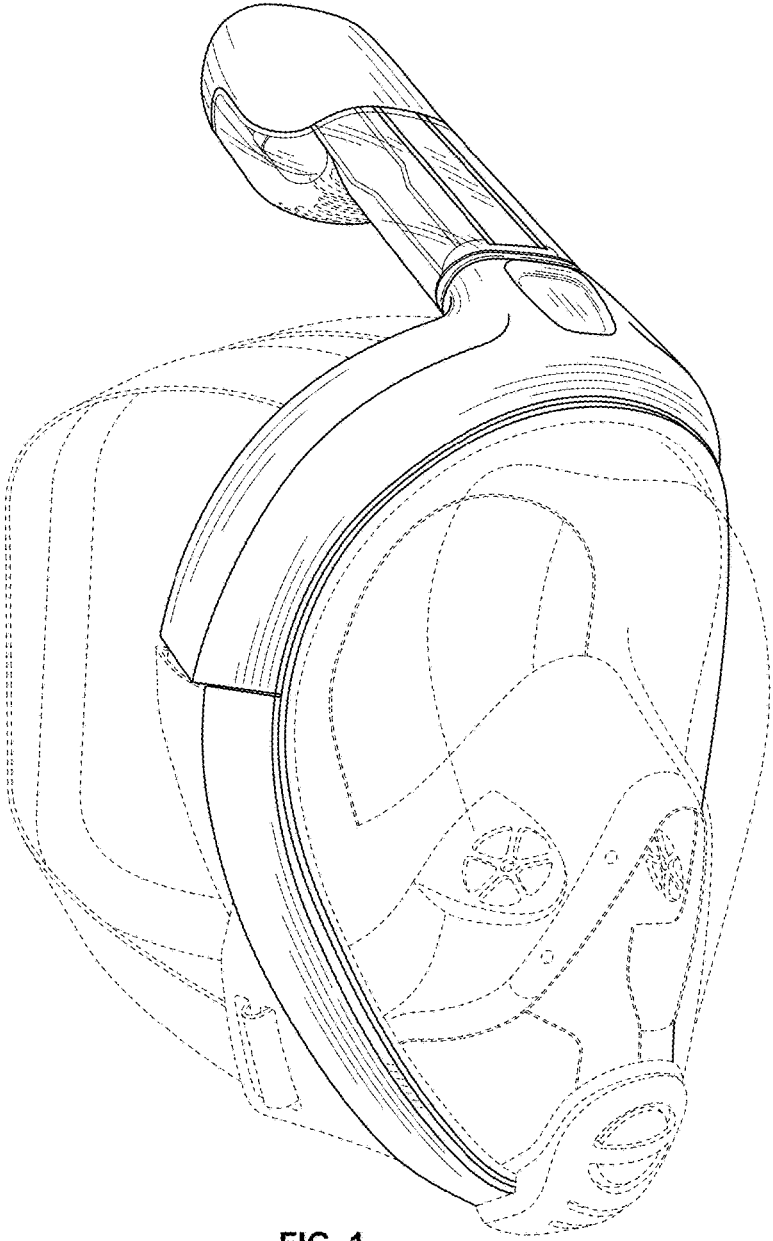


FIG. 1

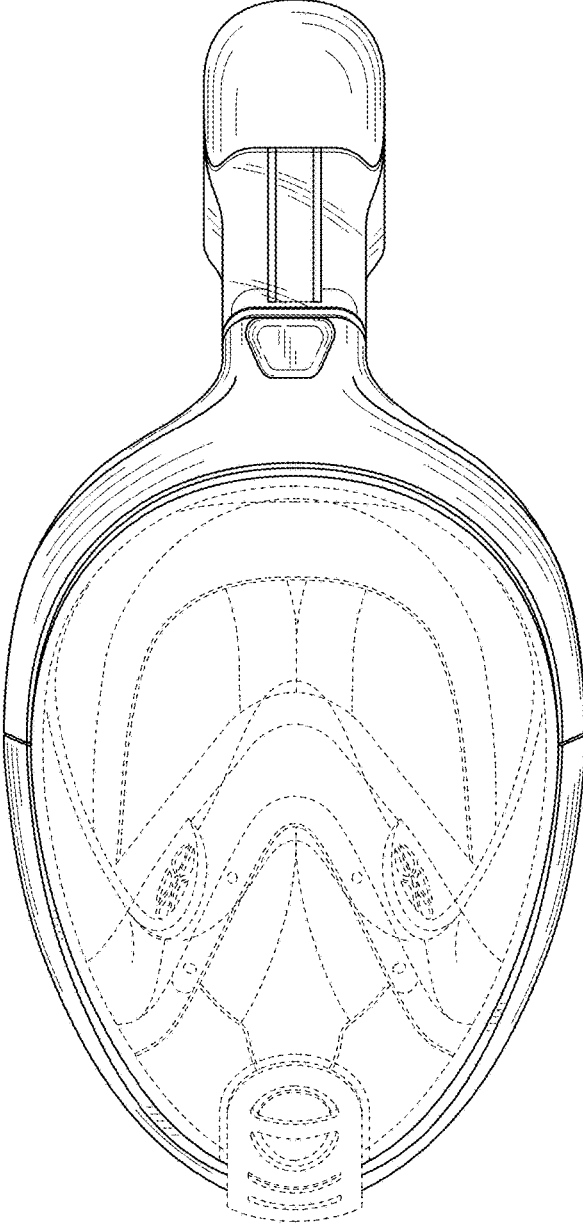


FIG. 2

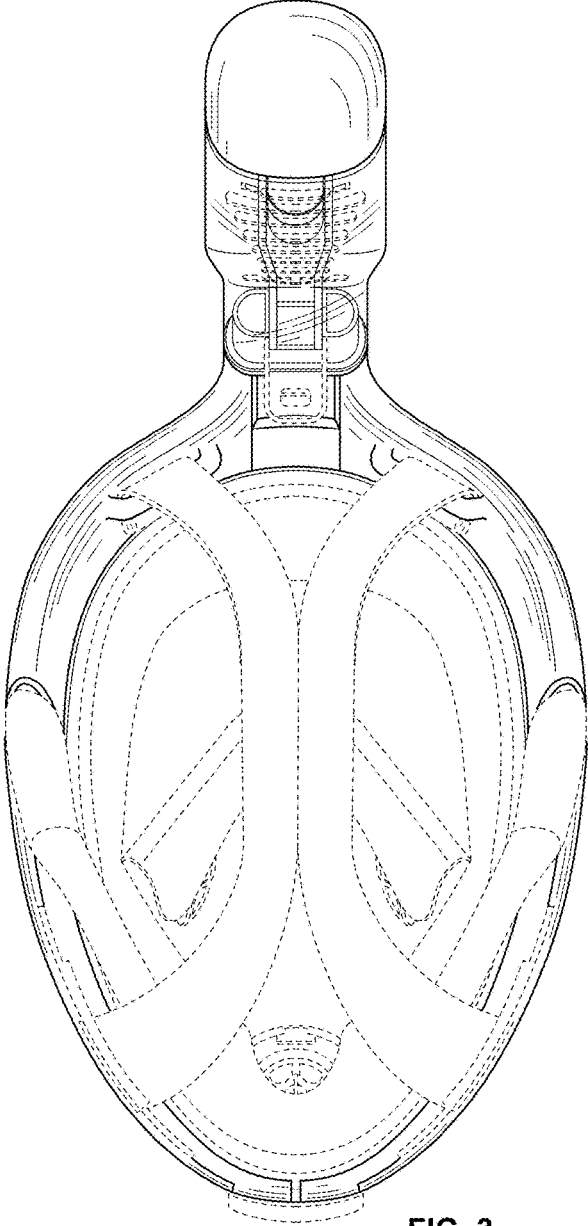


FIG. 3

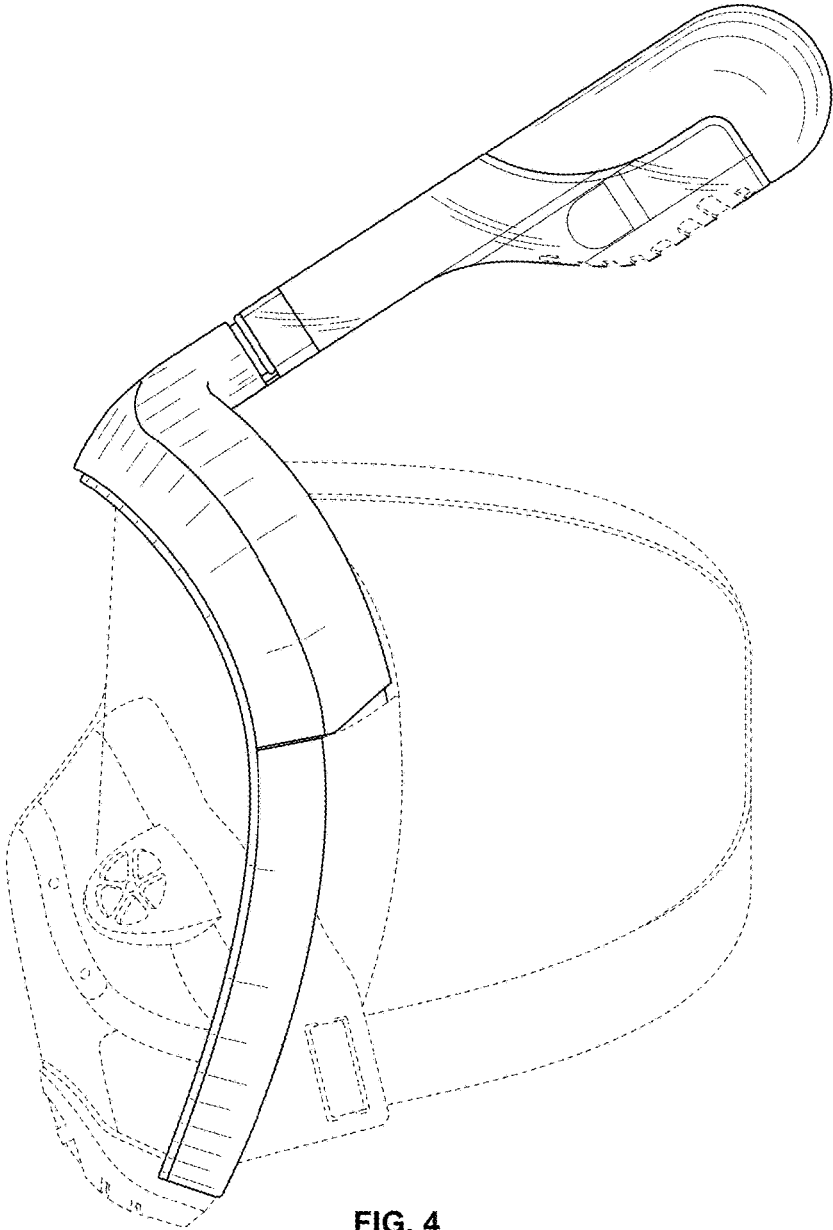


FIG. 4

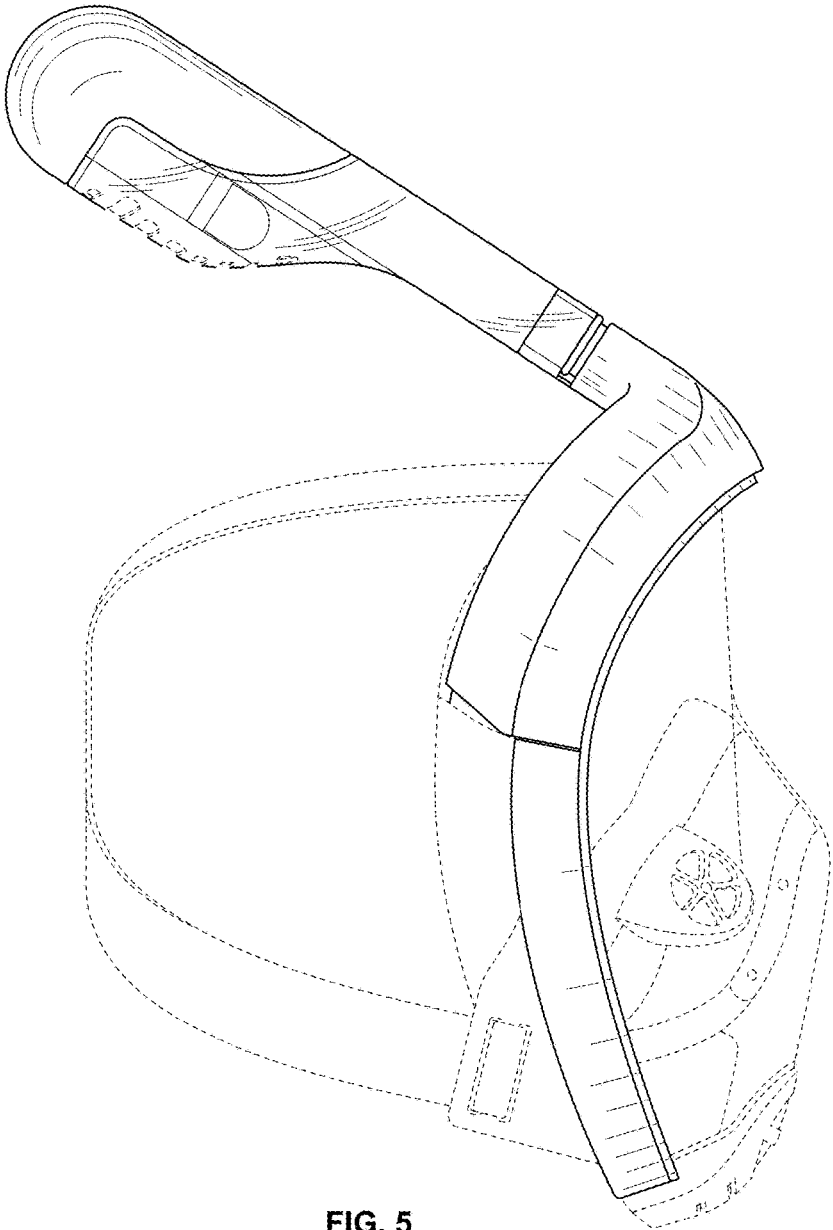


FIG. 5

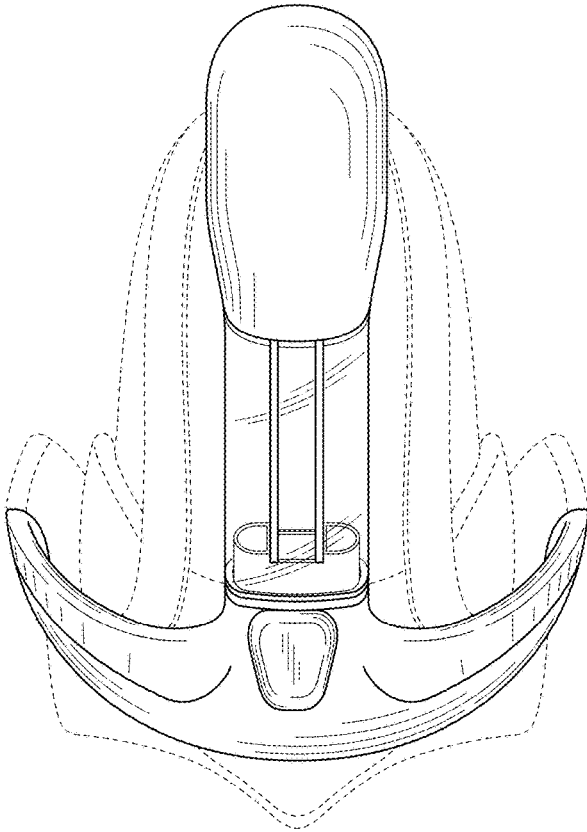


FIG. 6

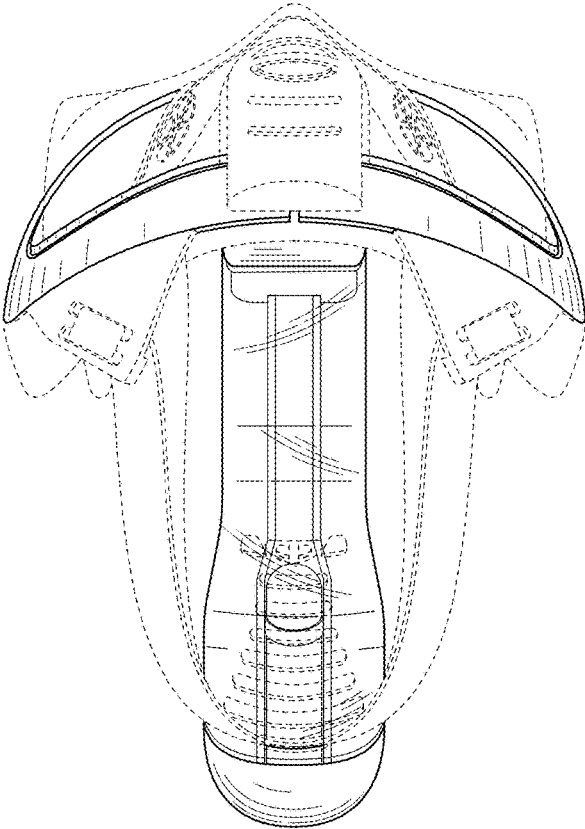


FIG. 7

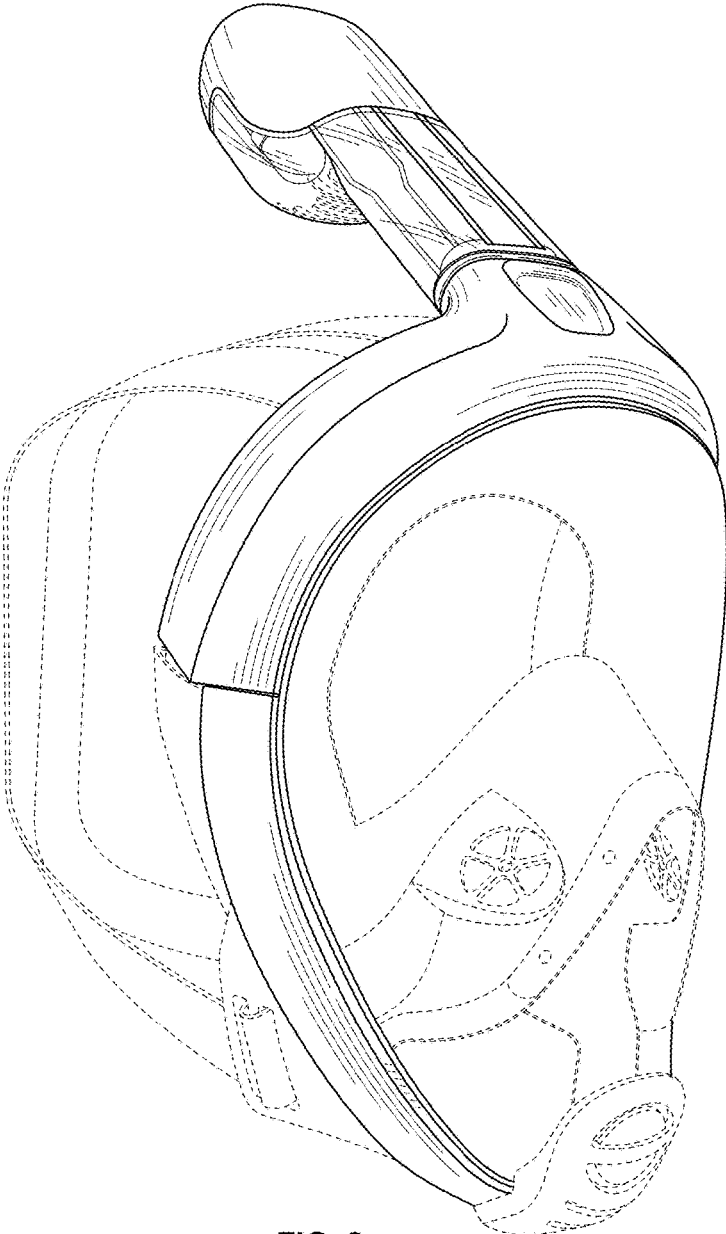


FIG. 8

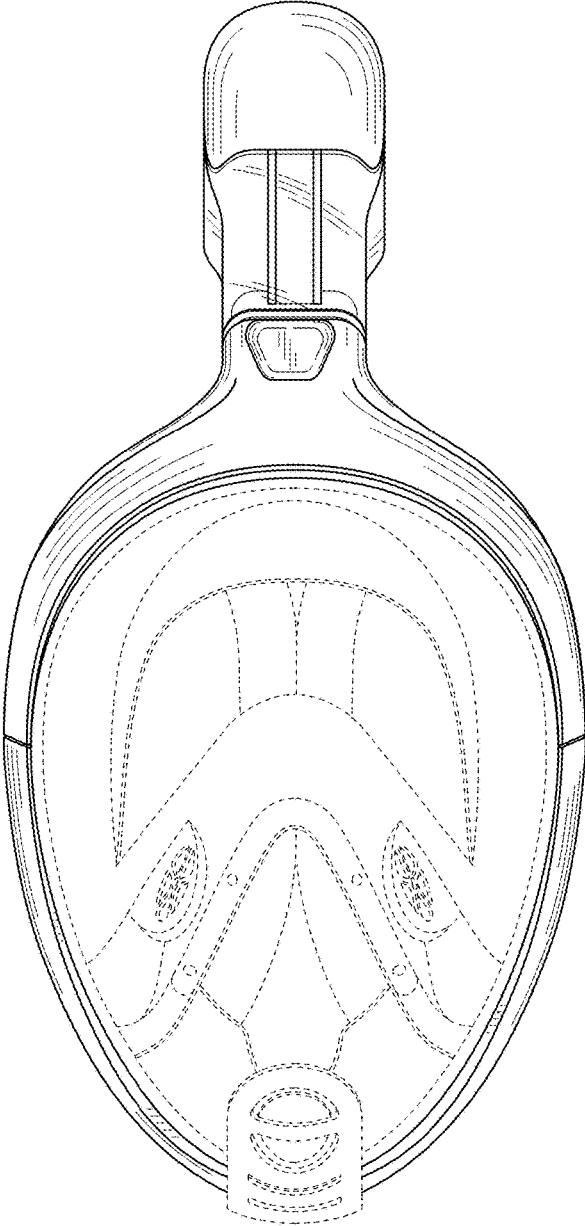


FIG. 9

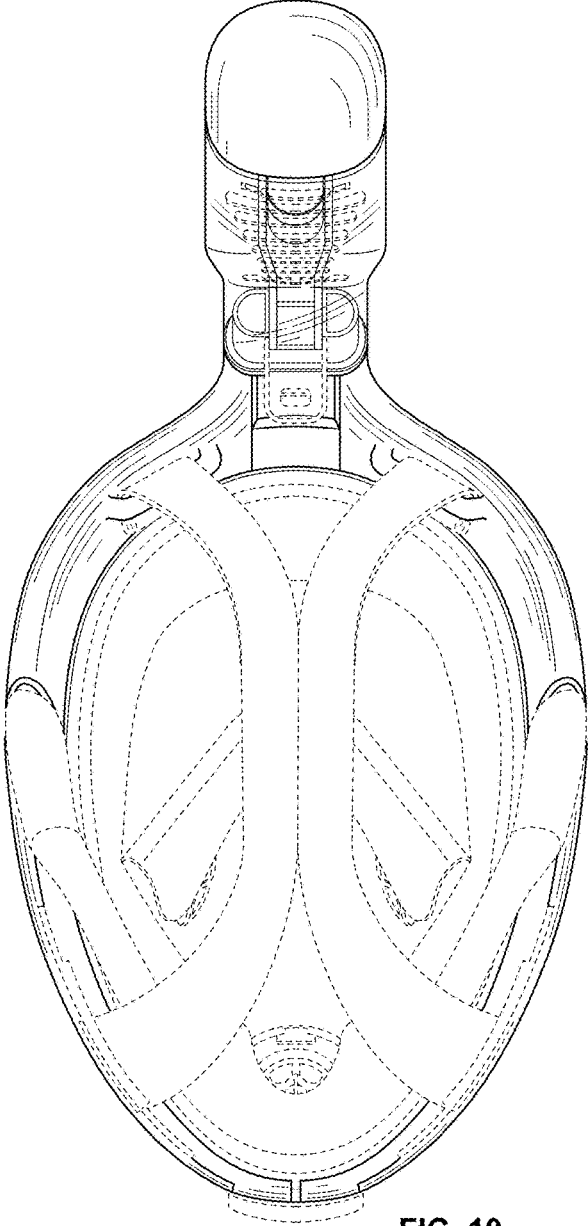


FIG. 10

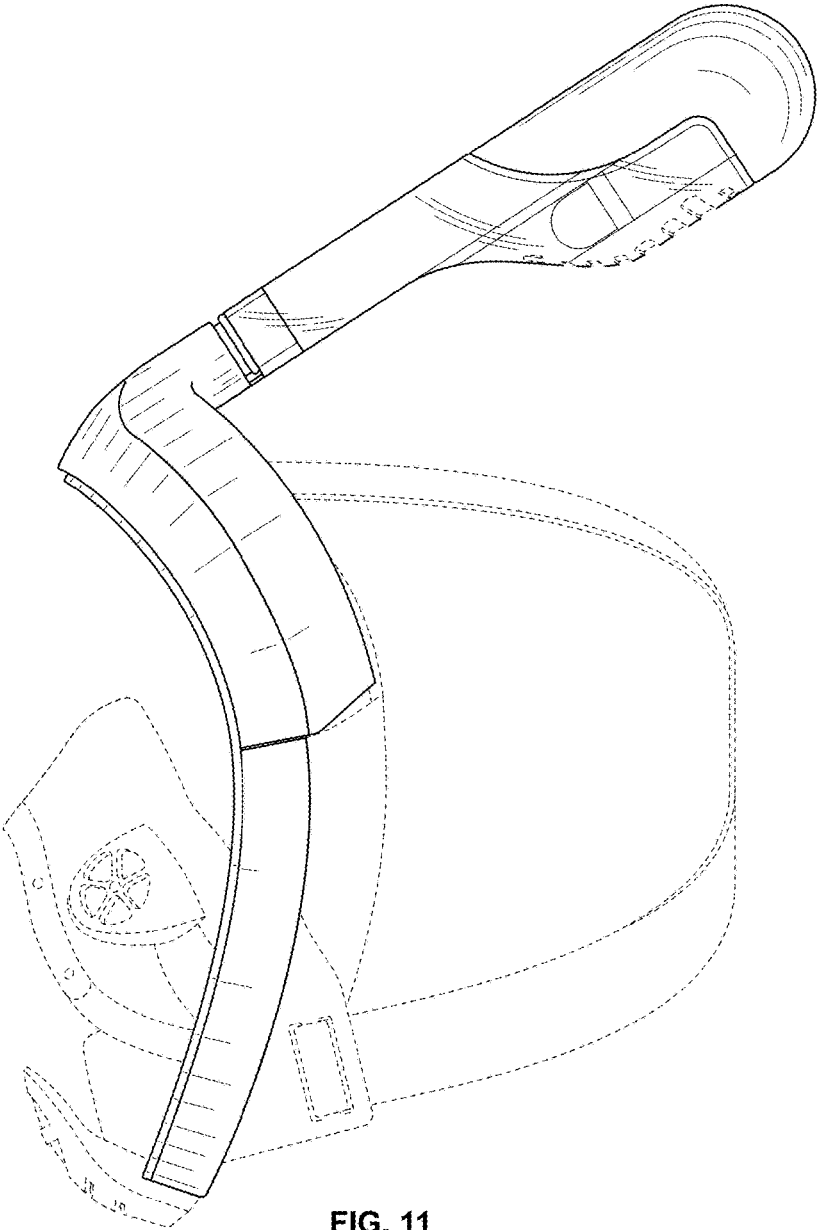


FIG. 11

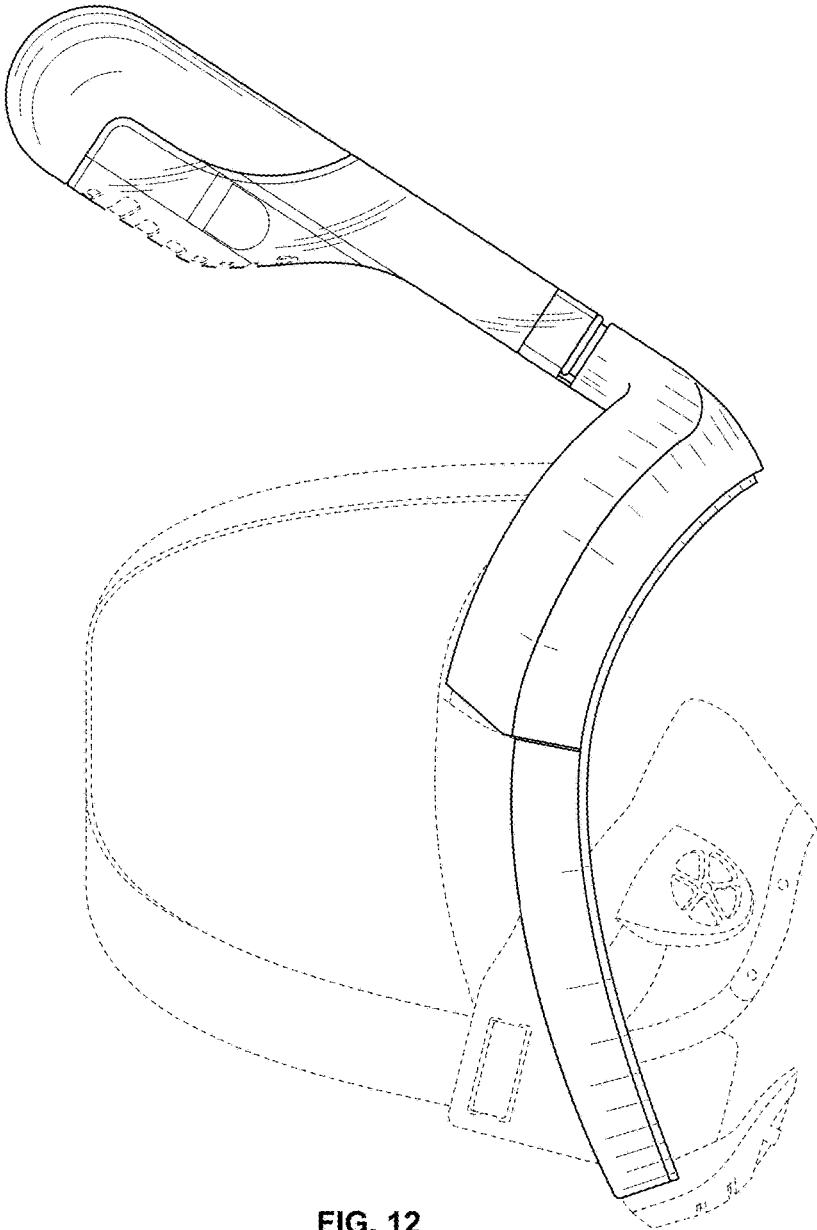


FIG. 12

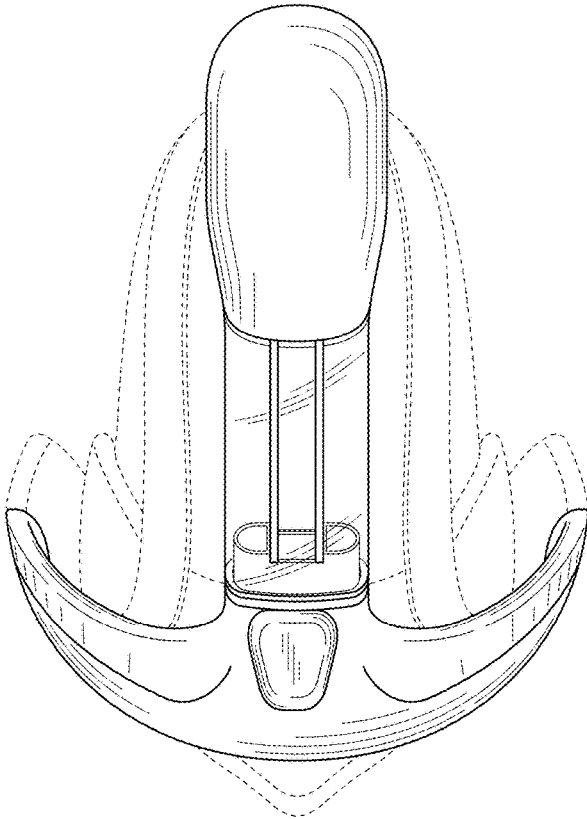


FIG. 13

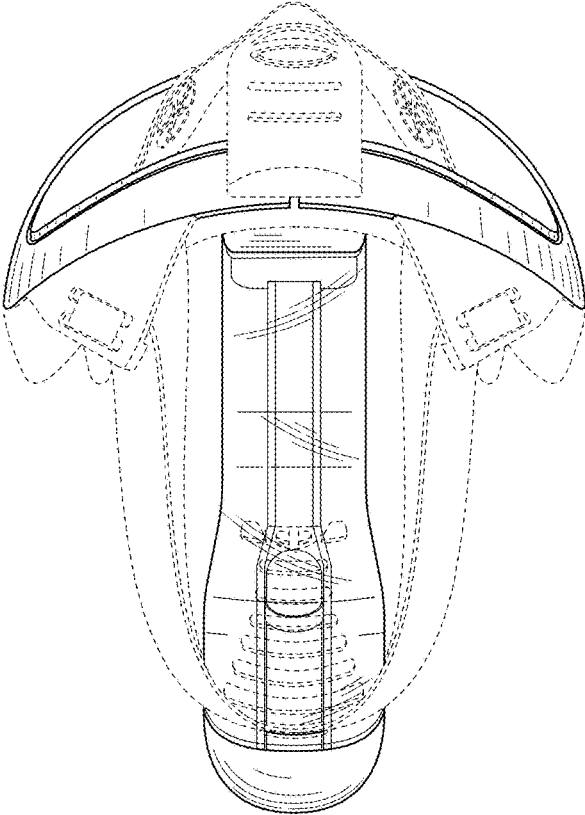


FIG. 14