



US00D676760S

(12) **United States Design Patent**
Baranowski et al.

(10) **Patent No.:** **US D676,760 S**

(45) **Date of Patent:** **** Feb. 26, 2013**

(54) **COMBINED TRIGGER AND BOTTLE**
(75) Inventors: **Brad P. Baranowski**, Racine, WI (US);
David A. Hoadley, Racine, WI (US);
Cinzia Galia, Alessandria (IT)

(73) Assignee: **S.C. Johnson & Son, Inc.**, Racine, WI (US)

(**) Term: **14 Years**

(21) Appl. No.: **29/386,705**

(22) Filed: **Mar. 3, 2011**

(51) **LOC (9) Cl.** **09-01**

(52) **U.S. Cl.** **D9/685**

(58) **Field of Classification Search** D9/682-694,
D9/500-505, 526, 527, 447-450; 222/129,
222/135, 153.01, 153.03, 153.04, 153.09,
222/153.11-153.14, 182, 631, 635, 209,
222/211-213, 215, 321.7-321.9, 372, 373,
222/378, 379, 383.1, 384-386, 398, 400.7,
222/400.8, 401, 402.1-402.25; 215/379-385;
220/669-675

See application file for complete search history.

(56) **References Cited**

U.S. PATENT DOCUMENTS

3,797,749	A *	3/1974	Tada	239/321
D239,372	S *	3/1976	Brooks et al.	D9/448
D243,333	S	2/1977	Tada		
D247,302	S	2/1978	Federico et al.		
D251,382	S	3/1979	Reed		
D259,332	S	5/1981	Walton		
D272,081	S	1/1984	Suhajda et al.		
4,434,917	A	3/1984	Saito et al.		
4,643,338	A	2/1987	Iizuka		
4,922,859	A	5/1990	Durell et al.		
5,018,647	A	5/1991	Abplanalf		
D327,222	S	6/1992	Fuchs		
5,119,974	A	6/1992	Mann		
5,147,074	A	9/1992	Battegazzore		
D338,616	S *	8/1993	MacDonald et al.	D9/600
5,257,724	A	11/1993	Steijns		
D349,642	S	8/1994	Abfier		
D351,646	S	10/1994	Foster et al.		

D351,991	S	11/1994	Bertolini
D353,321	S	12/1994	Steijns et al.
5,507,418	A	4/1996	Dobbs et al.
5,542,581	A	8/1996	Habora et al.
5,553,750	A	9/1996	Foster
5,570,840	A	11/1996	Gettinger et al.
5,575,407	A	11/1996	Foster et al.
5,636,768	A	6/1997	Yamada
5,704,521	A	1/1998	Grogan et al.
5,706,984	A	1/1998	Tada et al.
D400,102	S	10/1998	Tada
D406,052	S	2/1999	Dumont et al.
5,944,223	A	8/1999	Klima et al.
6,168,050	B1	1/2001	Battegazzore
6,206,243	B1	3/2001	Schneider et al.
6,223,380	B1	5/2001	Klima et al.
D444,700	S	7/2001	Ebert
D446,721	S	8/2001	Kimble et al.

(Continued)

FOREIGN PATENT DOCUMENTS

AU	319086	S	4/2008
AU	319087	S	4/2008

(Continued)

Primary Examiner — Catherine Tuttle

(57)

CLAIM

The ornamental design for a combined trigger and bottle, as shown and described.

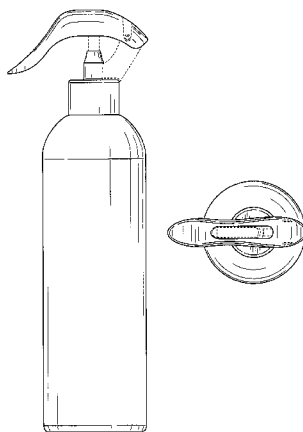
DESCRIPTION

FIG. 1 is a top, front and left isometric view of the combined trigger and bottle showing our new design; FIG. 2 is a front elevational view of FIG. 1; FIG. 3 is a rear elevational view of FIG. 1; FIG. 4 is a left side elevational view of FIG. 1; FIG. 5 is a right side elevational view of FIG. 1; and, FIG. 6 is a top plan view of FIG. 1.

The broken lines are for the purpose of illustrating environmental structure and form no part of the claimed design. Further, the bottom view forms no part of the claimed invention.

The broken lines are included for the purpose of illustrating portions of the combined trigger and bottle that form no part of the claimed design. Further, the bottom view forms no part of the claimed invention.

1 Claim, 4 Drawing Sheets



US D676,760 S

U.S. PATENT DOCUMENTS			FOREIGN PATENT DOCUMENTS		
D451,388 S	12/2001	Spengler	2007/0246481 A1	10/2007	Sweeton
6,325,304 B1	12/2001	Brite et al.	2008/0116222 A1	5/2008	Alluigi
D454,306 S	3/2002	Sweeton et al.	2008/0223881 A1	9/2008	Clynes
6,360,918 B1	3/2002	Butler	2008/0272152 A1	11/2008	Alluigi
D456,262 S	4/2002	Cummings	2008/0315018 A1	12/2008	Withers
6,364,171 B1	4/2002	Chalupsky et al.	2010/0059551 A1	3/2010	Tomkins et al.
6,439,481 B2	8/2002	von Schuckmann	2010/0140299 A1	6/2010	Sweeton et al.
D463,972 S	10/2002	Perrin et al.	2010/0276454 A1	11/2010	Espinoza et al.
D475,294 S	6/2003	Foster et al.			
D481,305 S	10/2003	Walters et al.	AU	329745 S	2/2010
6,851,625 B1	2/2005	Kuo	AU	329748 S	2/2010
D521,864 S	5/2006	Cartoni	AU	333298 S	10/2010
D523,337 S	6/2006	Yang	AU	333299 S	10/2010
D525,123 S	7/2006	Walters et al.	CA	63328	5/1989
D528,001 S	9/2006	Schroeder et al.	CA	122680	11/2007
D528,002 S	9/2006	Schroeder et al.	CA	122681	11/2007
D528,420 S	9/2006	Schroeder et al.	CA	122682	11/2007
D528,916 S	9/2006	Schroeder et al.	CA	127035	4/2009
D532,299 S	11/2006	Kuo	CN	3137597	2/2000
D536,977 S	2/2007	Schroeder et al.	CN	3156654	8/2000
D538,172 S	3/2007	Camby	CN	3210188	11/2001
D540,193 S	4/2007	Schimmingner	CN	3215194	12/2001
D545,209 S	6/2007	Batliner	CN	3235358	5/2002
D546,683 S	7/2007	Yang	CN	3284305	3/2003
7,249,692 B2	7/2007	Walters et al.	CN	3301614	6/2003
D550,079 S	9/2007	Yang	CN	3303072	6/2003
D553,003 S	10/2007	Baker et al.	CN	3337844	11/2003
D556,038 S	11/2007	Chupak	CN	3394313	9/2004
7,303,150 B2	12/2007	Hildebrand	CN	3493577	12/2005
D562,696 S	2/2008	Baker et al.	CN	3562225	9/2006
D562,697 S	2/2008	Baker et al.	CN	3568575	10/2006
D564,881 S	3/2008	Chupak	CN	3577289	11/2006
D565,948 S	4/2008	Maas et al.	CN	3592740	12/2006
D565,949 S	4/2008	Maas et al.	CN	3597485	1/2007
D567,082 S	4/2008	Hildebrand	CN	3612603	2/2007
D567,083 S	4/2008	Welp et al.	CN	3612604	2/2007
D567,652 S	4/2008	Binderbauer et al.	CN	3630671	4/2007
D567,653 S	4/2008	Binderbauer et al.	CN	300686372	9/2007
D571,204 S	6/2008	Sweeton	CN	300695502	10/2007
D571,205 S	6/2008	Sweeton	CN	300697895	10/2007
D571,206 S	6/2008	Sweeton	CN	300812157	8/2008
D573,021 S	7/2008	Ohshima	CN	300852463	11/2008
D573,463 S	7/2008	Ohshima	CN	300899391	4/2009
D580,760 S	11/2008	Costa Quintas	CN	300911974	4/2009
D581,269 S	11/2008	Alluigi	CN	301019901	9/2009
D582,279 S	12/2008	Darr et al.	CN	301038099	10/2009
D582,769 S	12/2008	Turchi	CN	301127764	2/2010
D582,770 S	12/2008	Turchi	CN	301127772	2/2010
D582,771 S	12/2008	Cantoni	CN	301408570	12/2010
D583,233 S	12/2008	Cantoni et al.	EM	001157853-0001	9/2010
D583,669 S	12/2008	Seum et al.	EM	001157853-0002	9/2010
D584,623 S	1/2009	Chupak	EM	001157853-0003	9/2010
D584,958 S	1/2009	Schiesser	EM	001157853-0004	9/2010
7,478,739 B2	1/2009	Foster	EM	001157853-0007	9/2010
D587,137 S	2/2009	Hayden et al.	EM	001157853-0008	9/2010
D587,574 S	3/2009	Cantoni et al.	EM	001157853-0009	9/2010
D587,575 S	3/2009	Hildebrand et al.	JP	D1117786	8/2001
D588,004 S	3/2009	Hildebrand	JP	D1117787	8/2001
D588,454 S	3/2009	Sweeton et al.	JP	D1131621	1/2002
D588,456 S	3/2009	Dejong et al.	JP	D1150200	8/2002
D589,795 S	4/2009	Sweeton et al.	JP	D1150201	8/2002
D592,060 S	5/2009	Chupak	JP	D1150211	8/2002
D592,523 S	5/2009	Padain et al.	JP	D1150746	8/2002
D596,048 S	7/2009	Hayden et al.	JP	D1150756	8/2002
D599,667 S	9/2009	Gedmin	JP	D1150757	8/2002
D601,897 S	10/2009	Contiero	JP	D1150758	8/2002
7,621,468 B2	11/2009	Smith et al.	JP	D1150759	8/2002
D609,109 S	2/2010	Gieske et al.	JP	D1150867	8/2002
D615,404 S	5/2010	Pitzer et al.	JP	D1165974	2/2003
D623,942 S	9/2010	Alluigi	JP	D1174015	5/2003
D628,067 S	11/2010	Pearson et al.	JP	D1174183	5/2003
7,850,046 B2 *	12/2010	Carta 222/153.13	JP	D1175381	6/2003
D649,461 S *	11/2011	Harrison et al. D9/500	JP	D1187943	10/2003
2004/0245208 A1	12/2004	Dennison	JP	D1194037	1/2004
2006/0138176 A1	6/2006	Lasserre et al.	JP	D1199206	3/2004
2006/0186144 A1	8/2006	Tinsley	JP	D1204914	5/2004
2007/0119870 A1	5/2007	Lasserre et al.	JP	D1270555	* 5/2006
2007/0181606 A1	8/2007	Foster	JP	D1286454	11/2006

US D676,760 S

Page 3

JP	D1286742	11/2006
JP	D1305668	7/2007
JP	D1325002	3/2008
JP	D1327148	4/2008
JP	D1327410	4/2008

JP	D1377762	1/2010
WO	WO2010013908 A2	2/2010
WO	WO2011030232 A1	3/2011

* cited by examiner

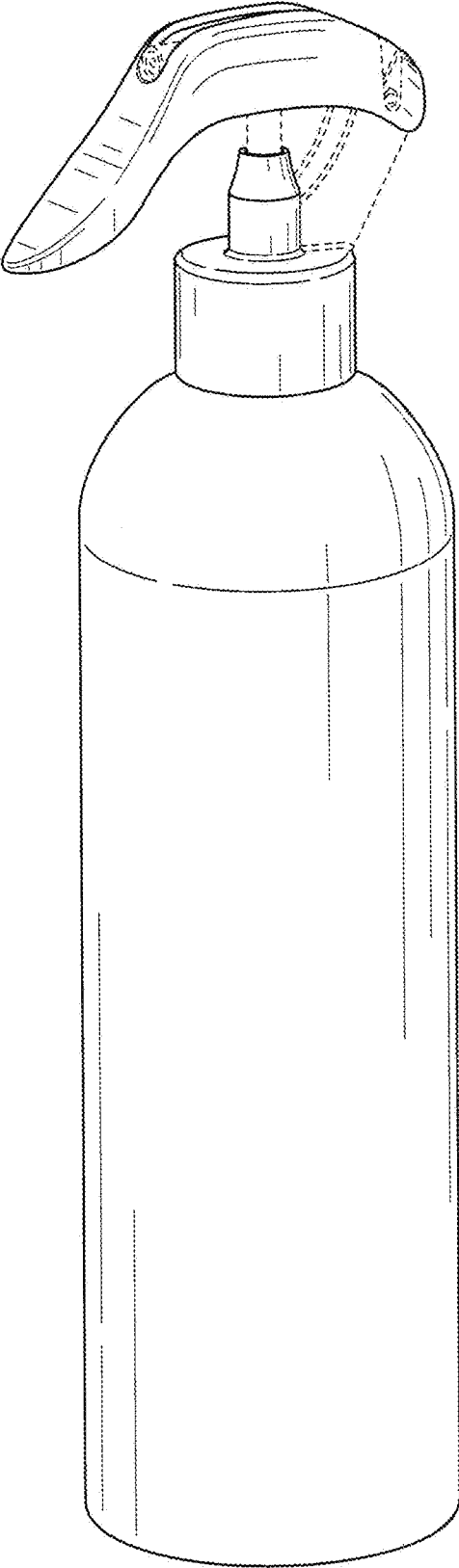


FIG. 1

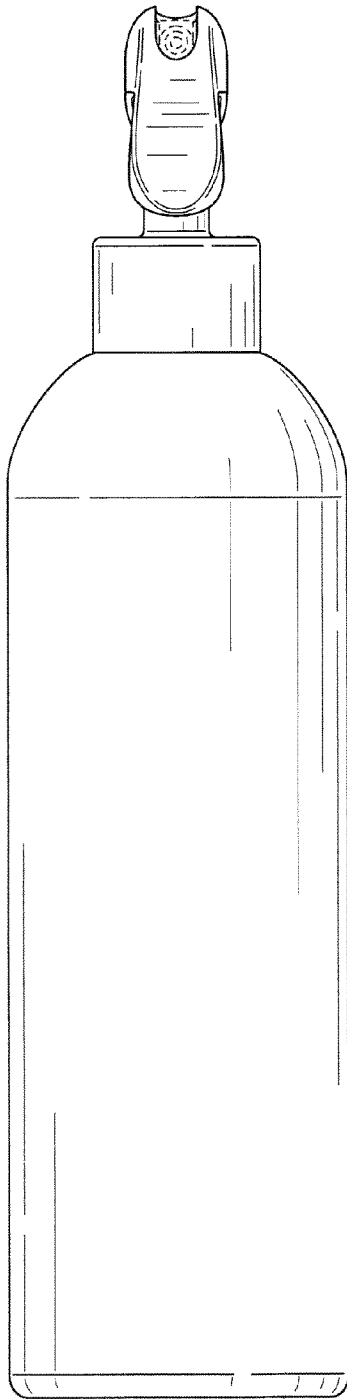


FIG. 2

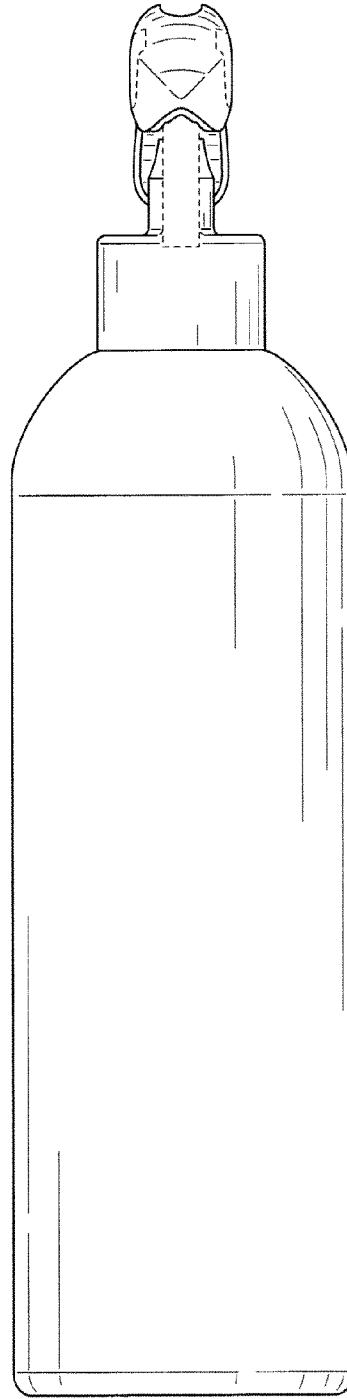


FIG. 3

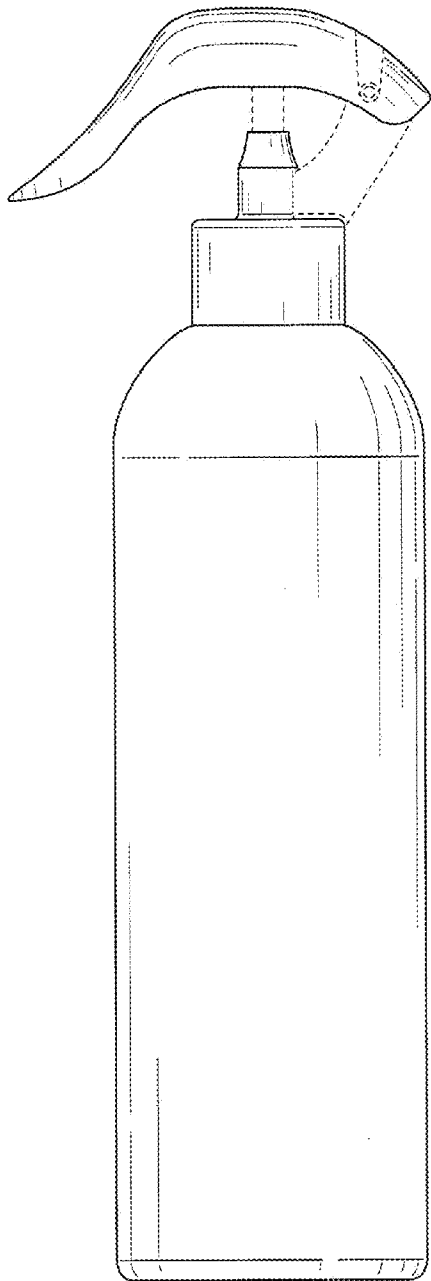


FIG. 4

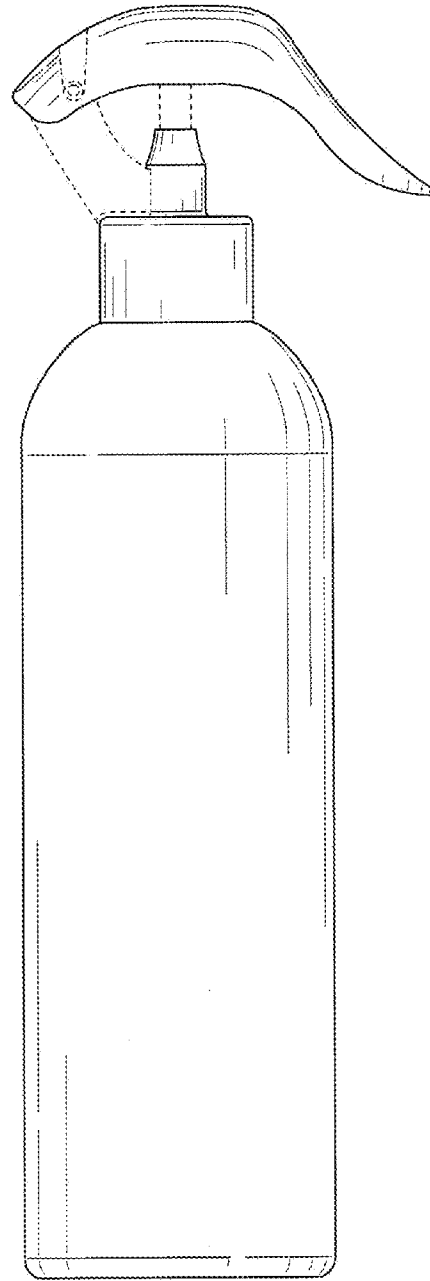


FIG. 5

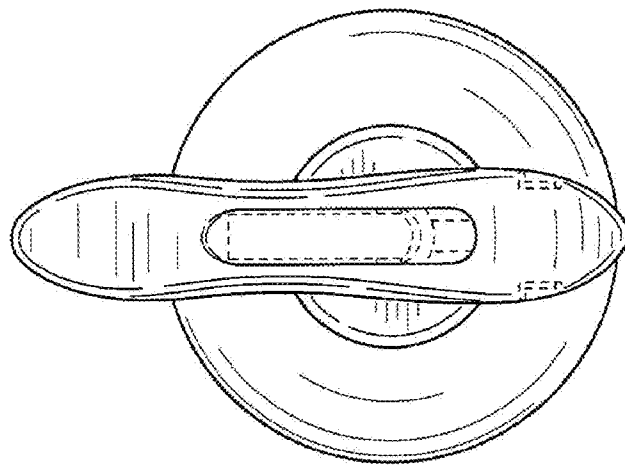


FIG. 6