



US00D967676S

(12) **United States Design Patent**  
**Lebron**

(10) **Patent No.:** **US D967,676 S**

(45) **Date of Patent:** **\*\* Oct. 25, 2022**

(54) **POPSICLE HOLDER**

(71) Applicant: **Gedalja Lebron**, Jerusalem (IL)

(72) Inventor: **Gedalja Lebron**, Jerusalem (IL)

(\*\*) Term: **15 Years**

(21) Appl. No.: **29/774,088**

(22) Filed: **Mar. 14, 2021**

**Related U.S. Application Data**

(63) Continuation-in-part of application No. 29/668,969, filed on Nov. 4, 2018, now abandoned.

(51) **LOC (13) Cl.** ..... **07-04**

(52) **U.S. Cl.**  
USPC ..... **D7/672**

(58) **Field of Classification Search**  
USPC ..... D7/672-677, 357; D9/456; D15/90  
CPC .. A47J 43/25; A47J 43/20; A23G 9/26; A23G 9/503; A23G 9/221  
See application file for complete search history.

(56) **References Cited**

**U.S. PATENT DOCUMENTS**

1,505,592	A *	8/1924	Epperson	.....	A23G 9/26
					426/421
1,987,945	A *	1/1935	Schnaler	.....	A23G 9/221
					249/92
2,175,324	A *	10/1939	Stamp	.....	A23G 9/26
					249/92
2,819,690	A *	1/1958	Baker	.....	A23G 9/221
					249/92

D188,992	S *	10/1960	Morrison	.....	D7/672
D269,578	S *	7/1983	Straubinger	.....	D7/672
D613,132	S *	4/2010	Frank	.....	D7/672
D651,450	S *	1/2012	Pallotto	.....	D7/368
D676,289	S *	2/2013	Lion	.....	D7/672
D690,169	S *	9/2013	Zorovich	.....	D7/672
D902,670	S *	11/2020	Pawlusiewicz	.....	D7/672
D921,067	S *	6/2021	Chen	.....	D15/90
D923,067	S *	6/2021	Zhao	.....	D15/90
2014/0197300	A1 *	7/2014	Zorovich	.....	A23G 9/503
					249/127

\* cited by examiner

*Primary Examiner* — Brett Miller

(74) *Attorney, Agent, or Firm* — Cabilly & Co.

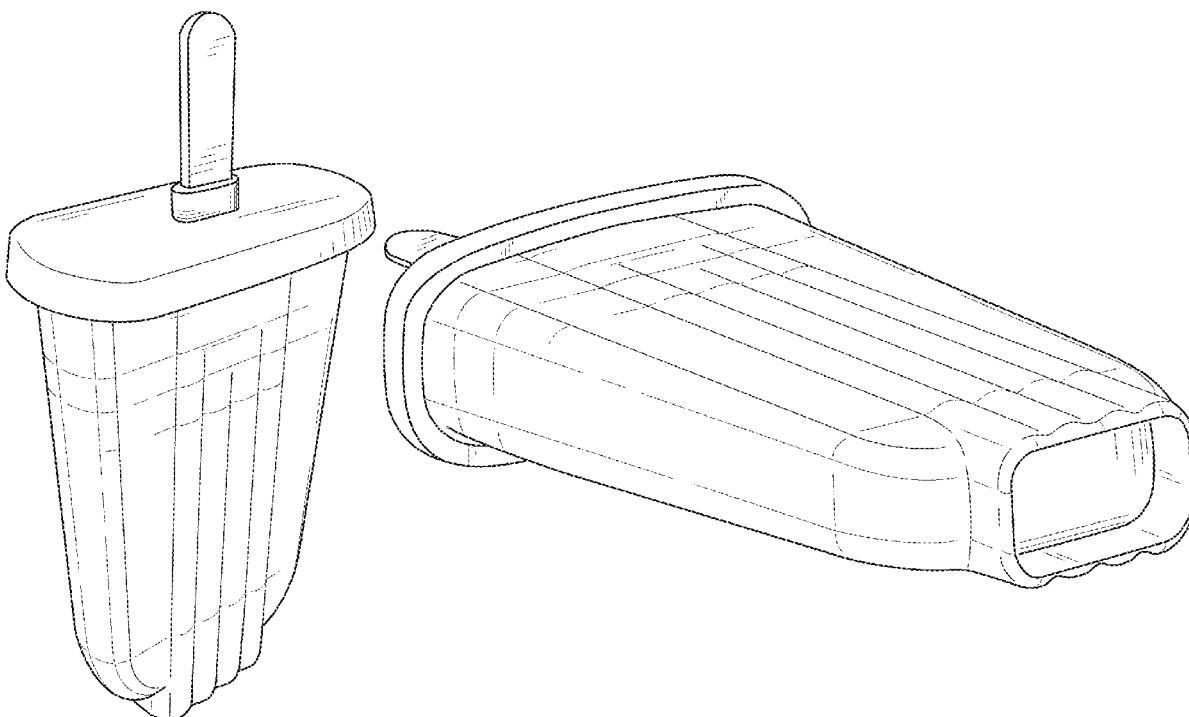
(57) **CLAIM**

The ornamental design for popsicle holder, as shown and described.

**DESCRIPTION**

FIG. 1 is a front view of a popsicle holder in accordance with the new design;  
FIG. 2 is a side view thereof;  
FIG. 3 is a top view thereof;  
FIG. 4 is a front perspective view thereof; and,  
FIG. 5 is a bottom perspective view thereof.  
The body portion of the popsicle holder is semi-transparent. The handle of the popsicle holder is opaque. Transparency is omitted in FIGS. 5 and 6 for clarity.

**1 Claim, 2 Drawing Sheets**



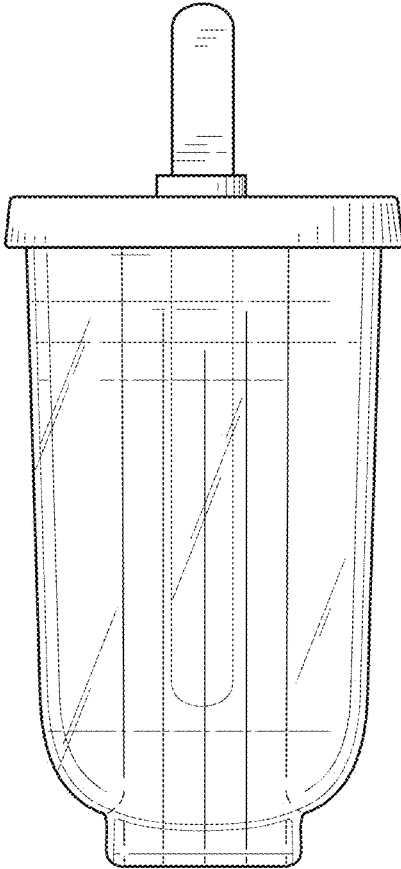


FIG. 1

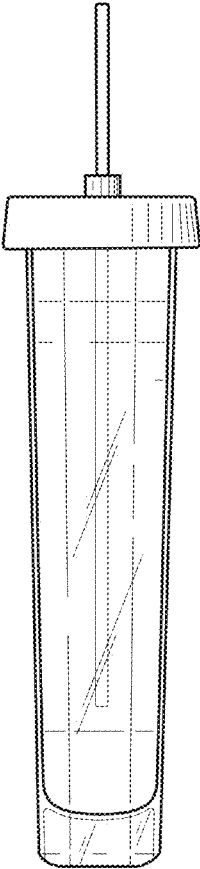


FIG. 2

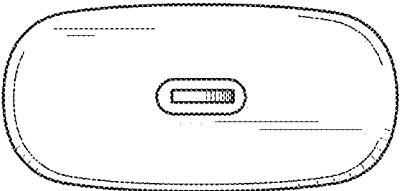


FIG. 3

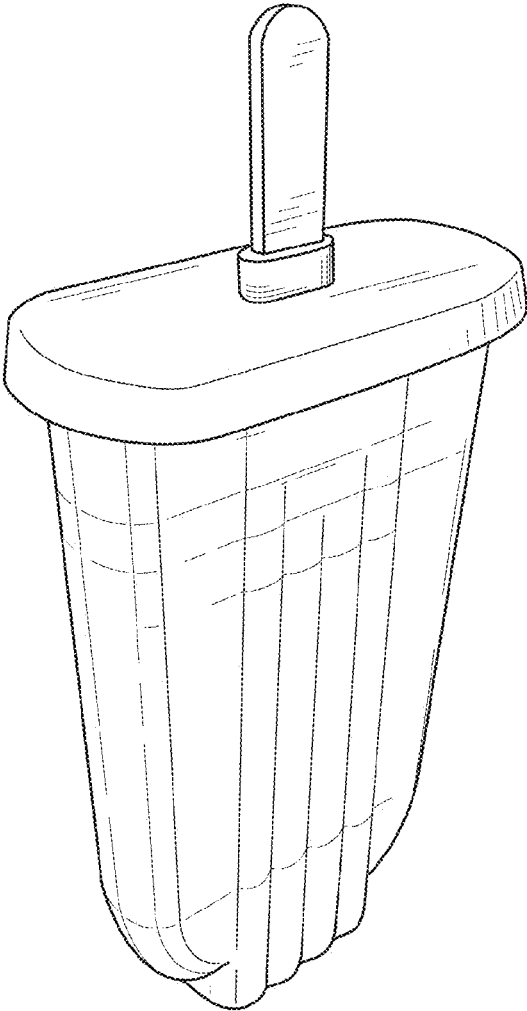


FIG. 4

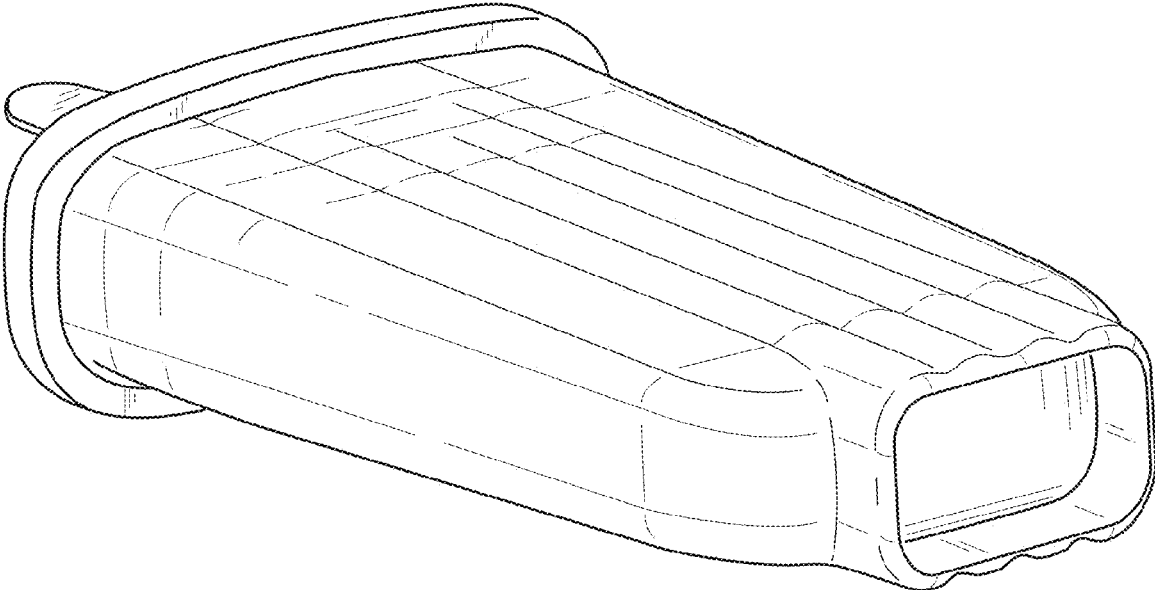


FIG. 5