



US00D768488S

(12) **United States Design Patent**
Gorsic

(10) **Patent No.:** **US D768,488 S**

(45) **Date of Patent:** **** Oct. 11, 2016**

(54) **DEVICE TO ENABLE DRINKING FROM A CAN**

(71) Applicant: **Canper d.o.o.**, Ptuj (SI)

(72) Inventor: **Bojan Gorsic**, Kranj (SI)

(73) Assignee: **Canper d.o.o.**, Ptuj (SI)

(**) Term: **14 Years**

(21) Appl. No.: **29/510,695**

(22) Filed: **Dec. 2, 2014**

(30) **Foreign Application Priority Data**

Jun. 16, 2014 (WO) 820183901

(51) **LOC (10) Cl.** **07-01**

(52) **U.S. Cl.**

USPC **D9/447**; D7/398; D7/396.2; D7/392

(58) **Field of Classification Search**

USPC D7/396.2, 510, 511, 300.2, 398, 397,
D7/392, 300; D9/435, 447; 220/713, 731,
220/287; 215/387, 389

CPC A47G 19/2211

See application file for complete search history.

(56) **References Cited**

U.S. PATENT DOCUMENTS

- 4,579,257 A * 4/1986 Brandlein B65D 25/48
220/285
- 4,679,702 A * 7/1987 Maccarone B65D 25/48
220/717
- 4,703,873 A * 11/1987 Geren B65D 47/147
220/740
- 4,961,510 A * 10/1990 Dvoracek B65D 25/48
220/258.2
- 5,088,614 A * 2/1992 Dumestre B65D 43/0212
220/254.3

- 5,467,888 A * 11/1995 Brandstrom B65D 25/48
220/319
- 5,720,408 A * 2/1998 Schmid B65D 25/48
215/319
- D460,359 S * 7/2002 Olsen D9/447
- D464,262 S * 10/2002 Drennow D9/446
- D469,992 S * 2/2003 Lasota D6/710
- 7,431,175 B2 * 10/2008 Heilos A47G 19/2272
215/389
- D629,243 S * 12/2010 Meyl D7/305
- D630,510 S * 1/2011 Yacktmann D9/447
- D637,079 S * 5/2011 Brown D9/447
- 8,511,507 B1 * 8/2013 Malik B65D 81/366
220/703
- D690,596 S * 10/2013 Logue D9/447
- D696,942 S * 1/2014 Kim D9/447

(Continued)

Primary Examiner — Marianne Pandozzi

(74) *Attorney, Agent, or Firm* — Studebaker & Brackett
PC

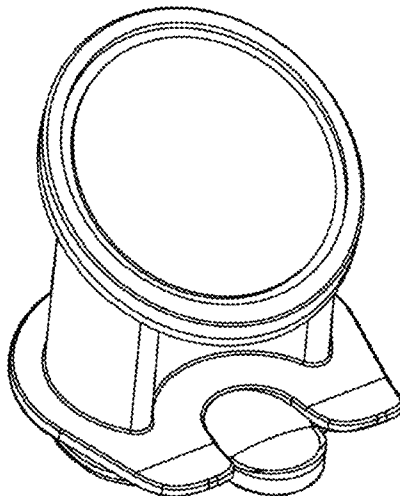
(57) **CLAIM**

The ornamental design for a device to enable drinking from a can, as shown and described.

DESCRIPTION

FIG. 1 is a perspective view of a device to enable drinking from a can showing my new design;
 FIG. 2 is a side view of the upper piece shown in FIG. 1 with the lower piece removed for ease of illustration;
 FIG. 3 is a side view of the lower piece shown in FIG. 1 with the upper piece removed for ease of illustration;
 FIG. 4 is a bottom view of the piece shown in FIG. 2;
 FIG. 5 is a bottom view of the piece shown in FIG. 3;
 FIG. 6 is a front view of the piece shown in FIG. 2;
 FIG. 7 is a front view of the piece shown in FIG. 3;
 FIG. 8 is a rear view of the piece shown in FIG. 2;
 FIG. 9 is a rear view of the piece shown in FIG. 3;
 FIG. 10 is a top plan view of the piece shown in FIG. 2; and,
 FIG. 11 is a top plan view of the piece shown in FIG. 3.

1 Claim, 6 Drawing Sheets



US D768,488 S

Page 2

(56)

References Cited

	8,881,938 B2 * 11/2014 Brannock	B65D 47/06
		215/387
U.S. PATENT DOCUMENTS	D749,949 S * 2/2016 Bruining	D9/447
D702,557 S * 4/2014 Beardsley	D7/317	* cited by examiner

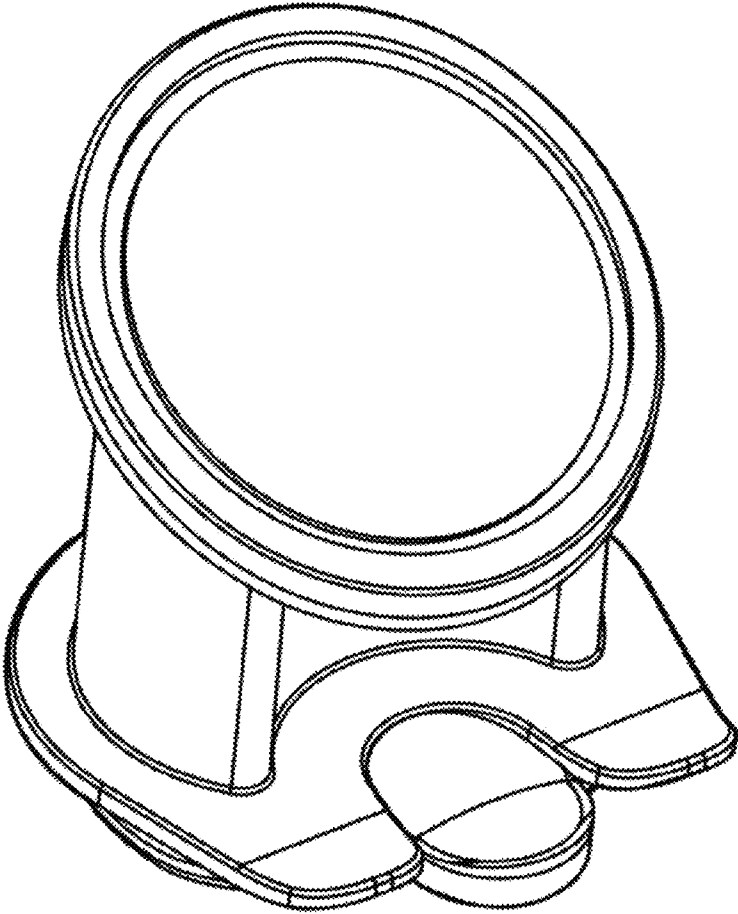


FIG. 1

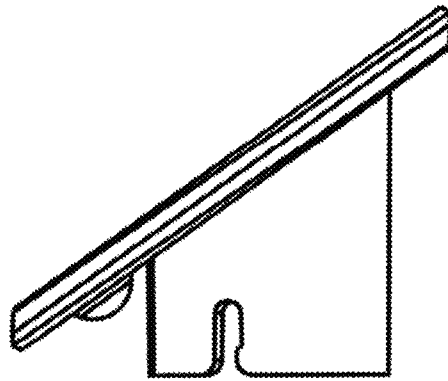


FIG. 2

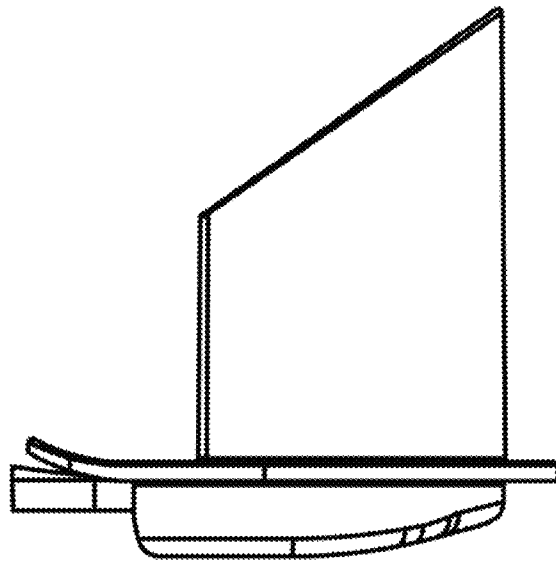


FIG. 3

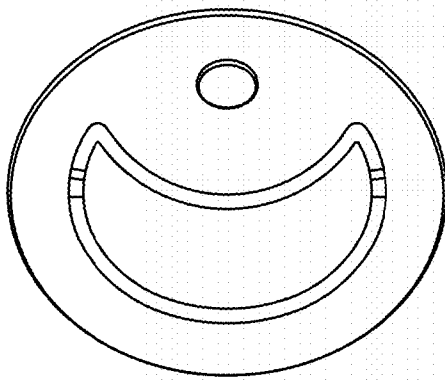


FIG. 4

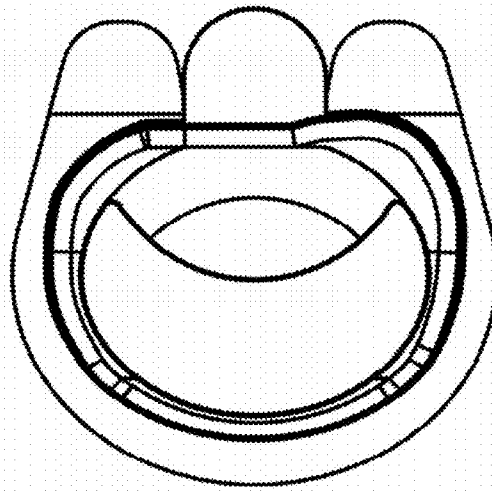


FIG. 5

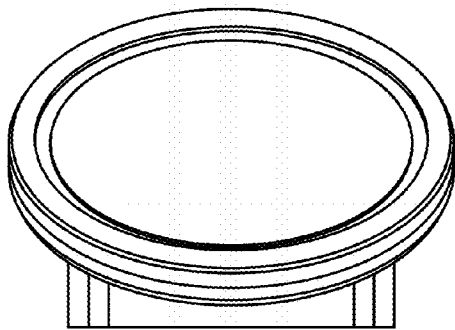


FIG. 6

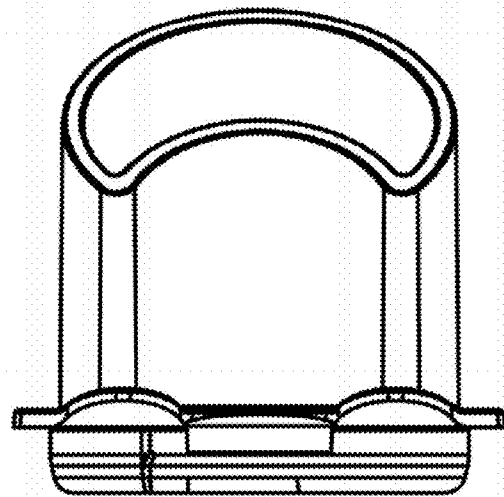


FIG. 7

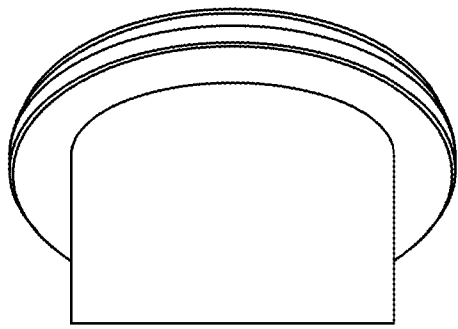


FIG. 8

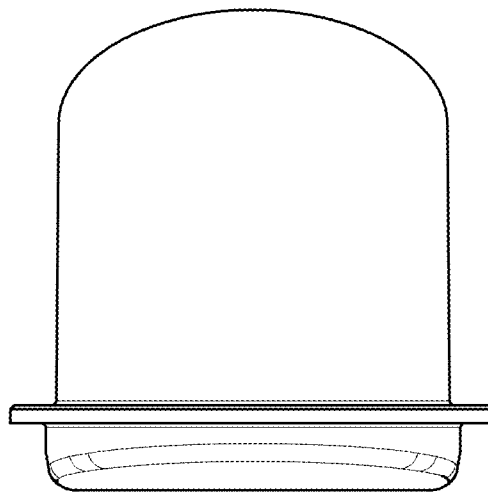


FIG. 9

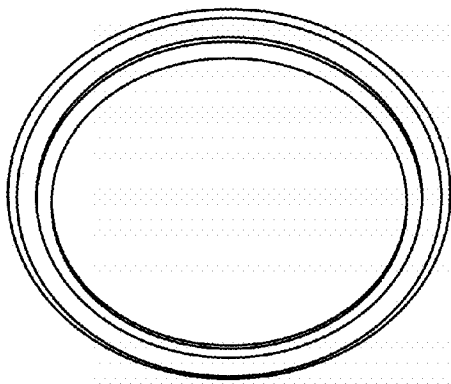


FIG. 10

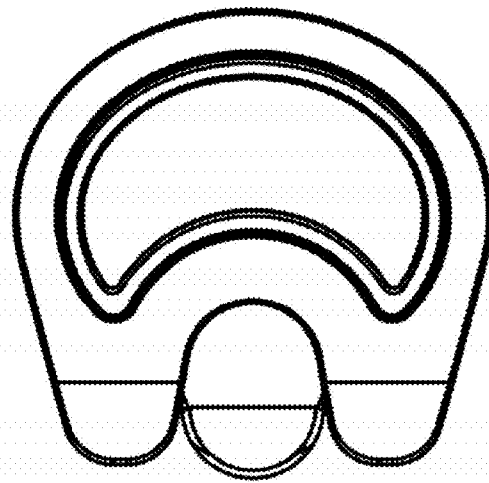


FIG. 11