



US00D866238S

(12) **United States Design Patent**  
**Tran**

(10) **Patent No.:** **US D866,238 S**

(45) **Date of Patent:** **\*\* Nov. 12, 2019**

(54) **COMBINED STRAINER AND DIVIDER BASKET**

(71) Applicant: **Hatrigo LLC**, Renton, WA (US)

(72) Inventor: **Tri Minh Tran**, Renton, WA (US)

(73) Assignee: **HATRIGO LLC**, Renton, WA (US)

(\*\*) Term: **15 Years**

(21) Appl. No.: **29/654,616**

(22) Filed: **Jun. 26, 2018**

(51) **LOC (12) Cl.** ..... **07-01**

(52) **U.S. Cl.**  
USPC ..... **D7/354; D7/667**

(58) **Field of Classification Search**  
USPC ..... D7/667, 668, 400, 669, 368, 354, 357,  
D7/360, 361  
CPC .. A47J 43/24; A47J 43/22; A47J 43/00; A47J  
19/04; A47J 19/005; A47J 36/08; A47J  
36/20; A47J 36/22; A47J 27/16; A47J  
27/04; A47J 31/06; A47J 42/28; A47J  
42/286; A47J 37/047; B01D 29/035  
See application file for complete search history.

D353,241 S	12/1994	Breen	
D361,477 S	8/1995	Licari	
D385,756 S	11/1997	Licari	
D395,787 S *	7/1998	Wilks	..... D7/357
D396,609 S	8/1998	Licari	
D396,610 S	8/1998	Licari	
D432,368 S	10/2000	Kaposi et al.	
6,167,799 B1 *	1/2001	Macias	..... A47J 27/04 99/403
D458,091 S	6/2002	Wallays et al.	
6,711,992 B1 *	3/2004	McLemore	..... A47J 27/04 99/339
D628,861 S	12/2010	Lane	
D665,233 S	8/2012	Shamoon	
D691,426 S	10/2013	Brown et al.	
D736,042 S	8/2015	Serrahima et al.	
D778,691 S	2/2017	Powell et al.	
D790,291 S	6/2017	Durmus	

(Continued)

*Primary Examiner* — Terry A Wallace  
(74) *Attorney, Agent, or Firm* — Dunlap Bennett & Ludwig PLLC

(57) **CLAIM**

The ornamental design for a combined strainer and divider basket, as shown and described.

**DESCRIPTION**

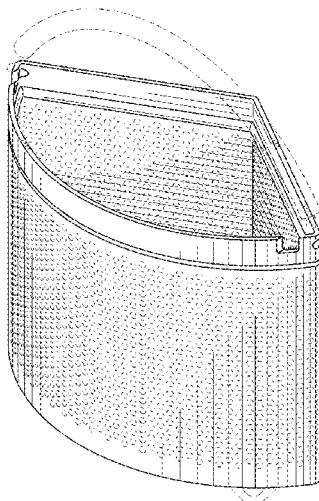
FIG. 1 is a top front perspective view of a combined strainer and divider basket, showing my new design; FIG. 2 is a front elevation view thereof; FIG. 3 is a rear elevation view thereof; FIG. 4 is a right side elevation view thereof, the left side elevation view being a mirror image thereof; FIG. 5 is a top plan view thereof; and, FIG. 6 is a bottom plan view thereof. The broken lines shown in the drawings depict portions of the combined strainer and divider basket that form no part of the claimed design.

**1 Claim, 4 Drawing Sheets**

(56) **References Cited**

U.S. PATENT DOCUMENTS

1,630,787 A *	5/1927	Cullen	..... A47J 36/20 220/23.88
2,522,152 A *	9/1950	Wilson	..... A47J 36/20 220/23.4
3,908,535 A *	9/1975	Gordon	..... A47J 36/20 99/426
4,052,934 A	10/1977	Shinman	
D289,452 S	4/1987	Fuller	
D314,315 S	2/1991	Darnell	
5,275,092 A *	1/1994	Fauteux	..... A47J 37/047 220/525
5,275,094 A *	1/1994	Naft	..... A47J 36/20 126/369



(56)

**References Cited**

U.S. PATENT DOCUMENTS

D801,130 S	10/2017	Davison et al.	
2012/0291636 A1*	11/2012	von Seidel .....	A47J 27/04 99/450
2013/0125765 A1*	5/2013	Difante .....	A47J 36/20 99/403
2015/0196153 A1*	7/2015	Sykes .....	A47J 36/20 210/256

\* cited by examiner

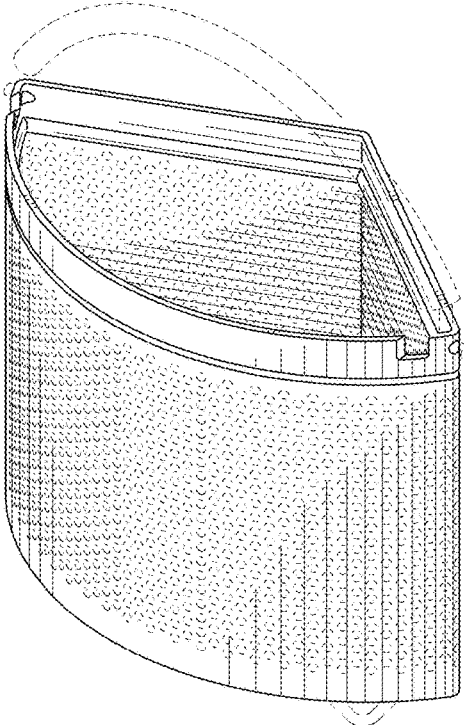


FIG.1

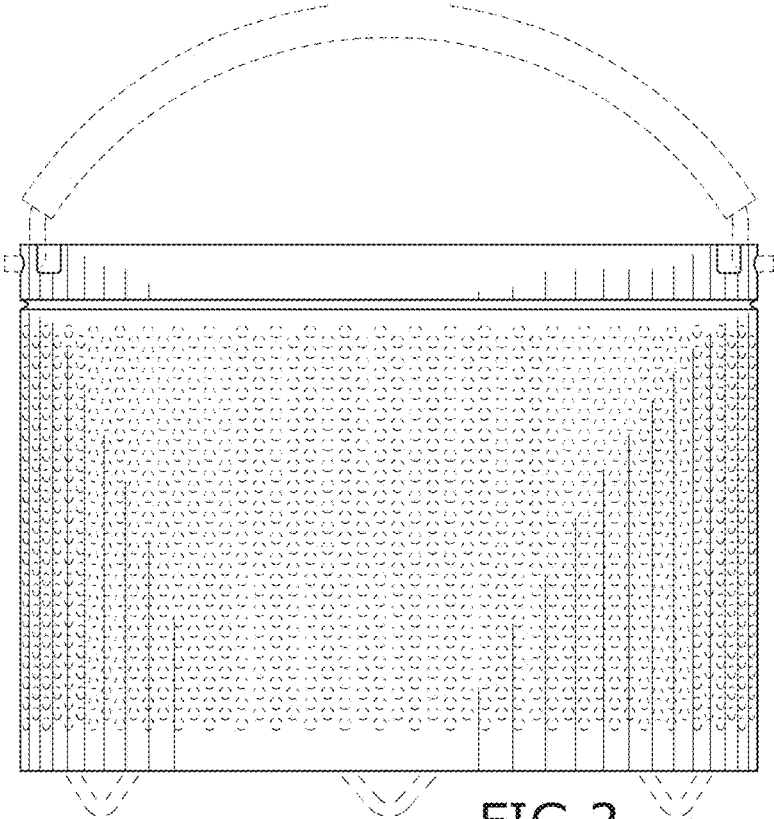


FIG. 2

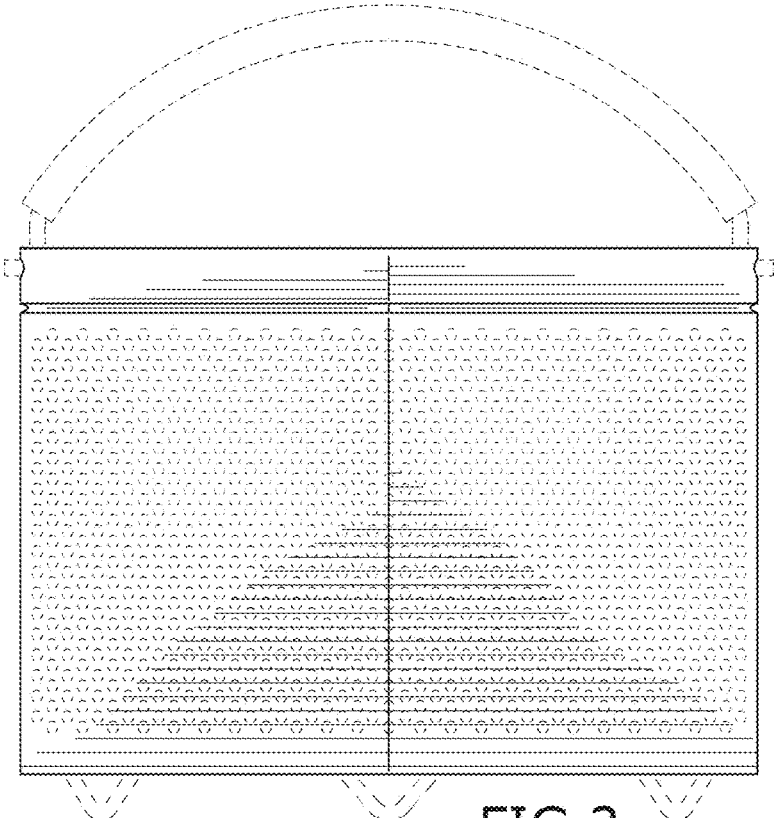


FIG. 3

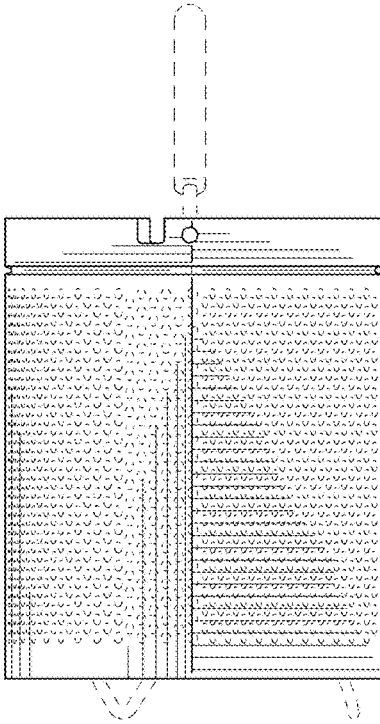


FIG.4

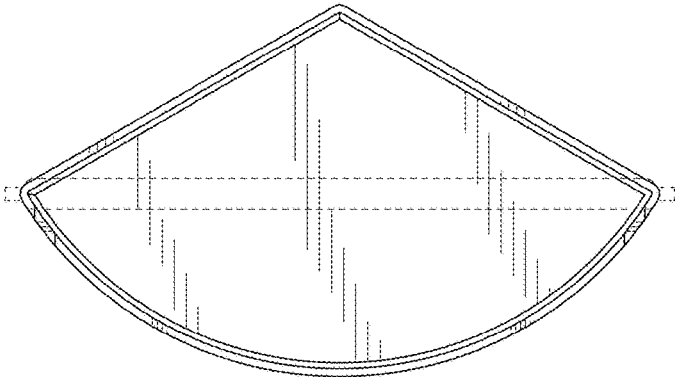


FIG.5

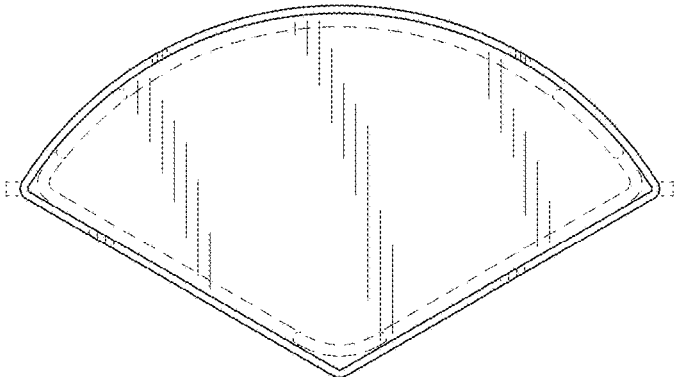


FIG.6