



US00D652017S

(12) **United States Design Patent**
Groves et al.

(10) **Patent No.:** **US D652,017 S**

(45) **Date of Patent:** **** *Jan. 10, 2012**

(54) **COMMUNICATION HEADSET**

(75) Inventors: **William R Groves**, Naperville, IL (US);
Michael A Minneci, Cary, IL (US);
David P. Townsend, Lakewood, IL (US)

(73) Assignee: **Motorola Mobility, Inc.**, Libertyville, IL (US)

(*) Notice: This patent is subject to a terminal disclaimer.

(**) Term: **14 Years**

(21) Appl. No.: **29/321,399**

(22) Filed: **Jul. 16, 2008**

(51) **LOC (9) Cl.** **14-01**

(52) **U.S. Cl.** **D14/206**

(58) **Field of Classification Search** D14/205,
D14/206, 223, 188, 192; D29/112; 2/209,
2/410; 181/129, 130; D21/483; 379/430,
379/433.01, 433.02, 433.03; 381/370, 371,
381/372, 376, 377, 380, 381; 455/90.3, 575.2
See application file for complete search history.

(56) **References Cited**

U.S. PATENT DOCUMENTS

D398,309 S *	9/1998	Bergin et al.	D14/206
D406,140 S *	2/1999	Hall et al.	D14/205
D443,603 S *	6/2001	Taylor et al.	D14/206
D463,784 S *	10/2002	Taylor et al.	D14/206
D531,165 S *	10/2006	Rath	D14/206
D532,407 S *	11/2006	Motoishi	D14/205

D538,261 S *	3/2007	Taylor et al.	D14/205
D538,785 S *	3/2007	Skulley	D14/206
D540,778 S *	4/2007	Thompson et al.	D14/206
D541,255 S *	4/2007	Taylor et al.	D14/205
D542,774 S *	5/2007	Rausch et al.	D14/206
D585,871 S *	2/2009	Lee	D14/205
D589,492 S *	3/2009	Mistry	D14/205
D592,639 S *	5/2009	Kuh et al.	D14/205
D600,674 S *	9/2009	Brennwald	D14/205
D602,906 S *	10/2009	Groves et al.	D14/205
D603,370 S *	11/2009	Suzuki	D14/205
D617,771 S *	6/2010	Groves et al.	D14/206
D628,554 S *	12/2010	Tedja et al.	D14/205

* cited by examiner

Primary Examiner — Paula Greene

(57) **CLAIM**

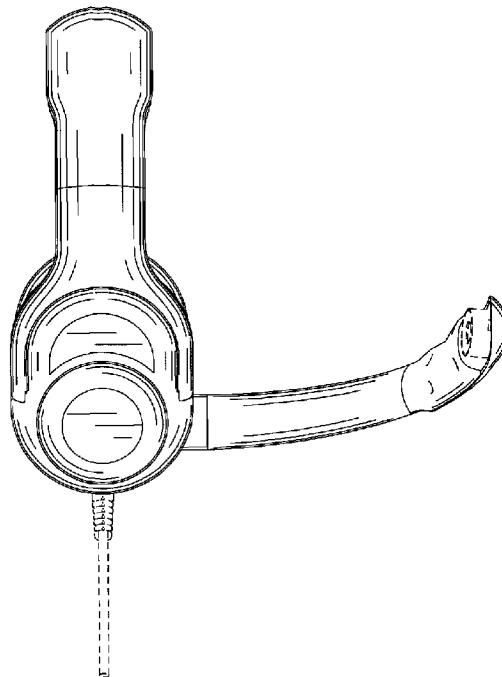
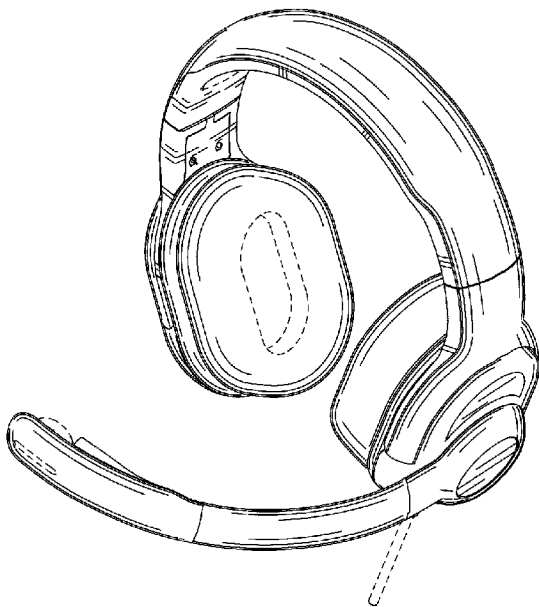
The ornamental design for a communication headset, as shown and described.

DESCRIPTION

FIG. 1 is a perspective view of an ornamental design for a communication headset;
FIG. 2 is a front view thereof;
FIG. 3 is a rear view thereof;
FIG. 4 is a first side view thereof;
FIG. 5 is a second side view thereof;
FIG. 6 is a top view thereof; and,
FIG. 7 is a bottom view thereof.

The broken line in FIGS. 1-7 showing environmental structures is for illustrative purposes and forms no part of the claim design.

1 Claim, 6 Drawing Sheets



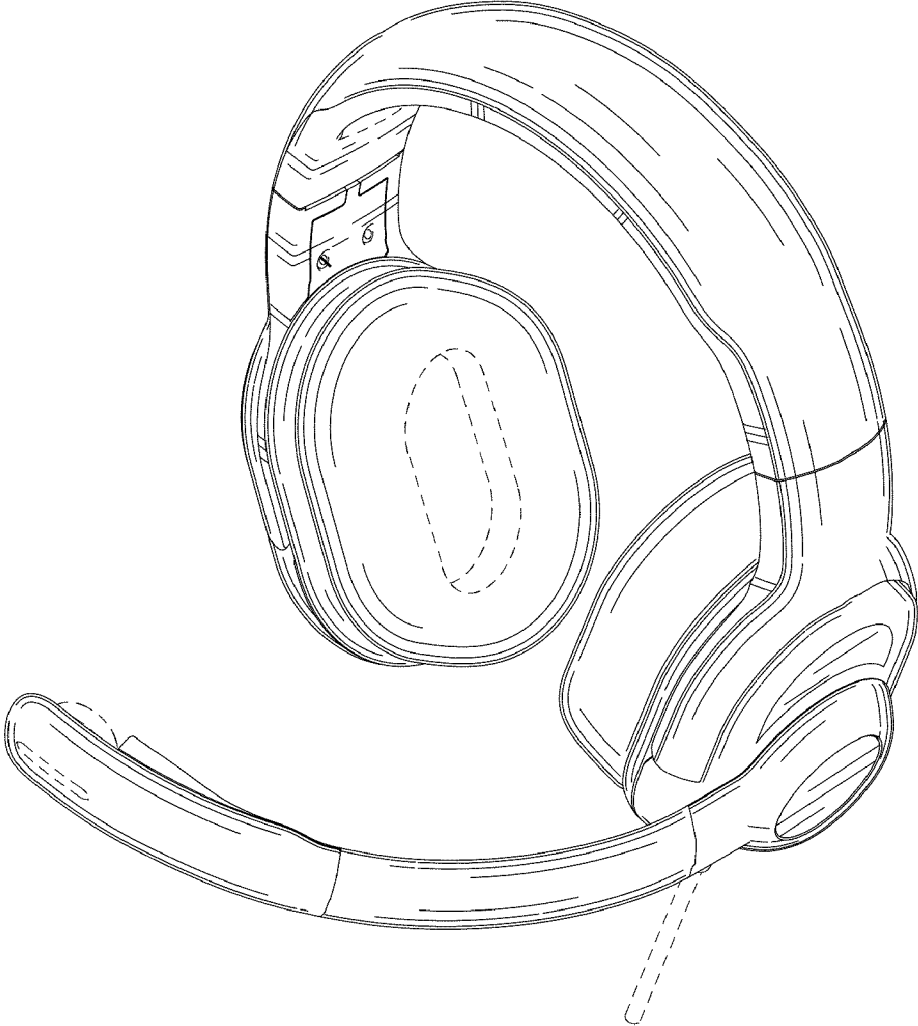


FIG. 1

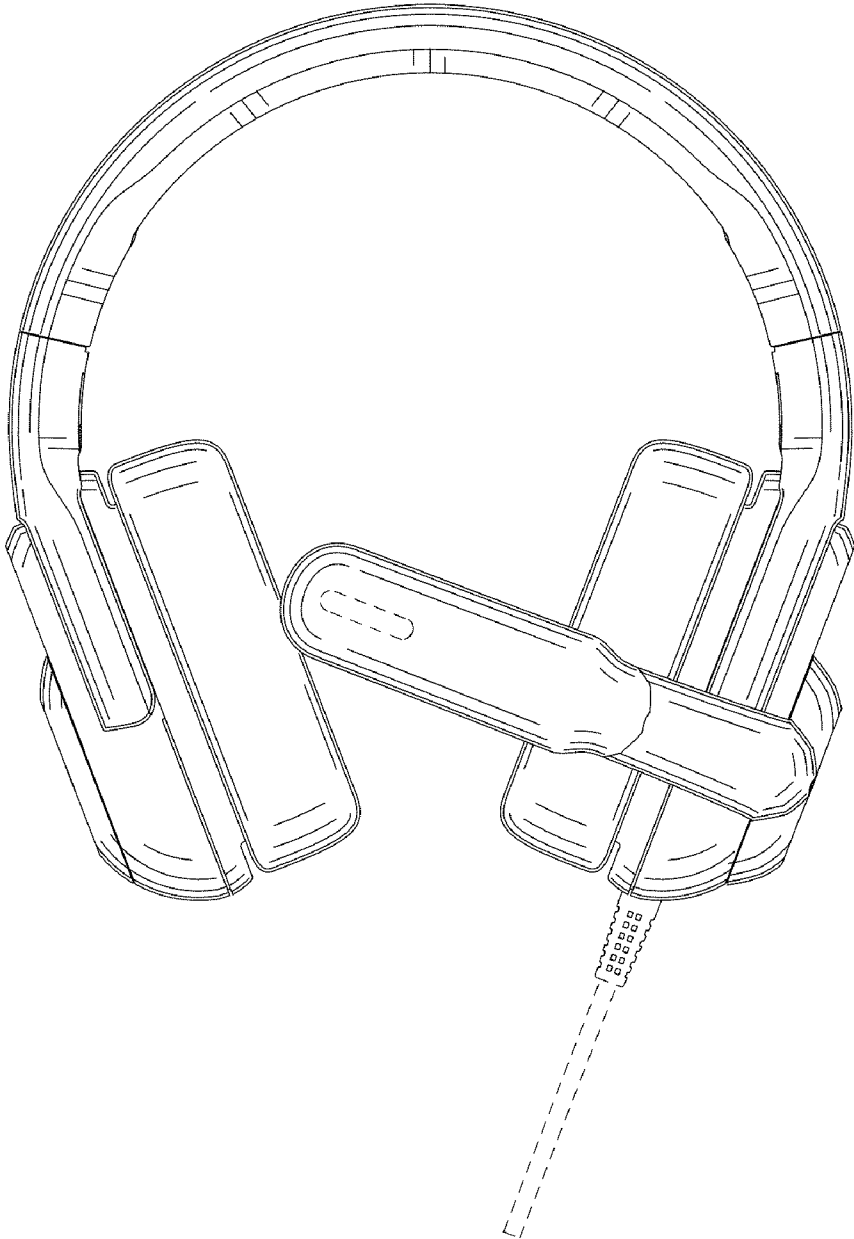


FIG. 2



FIG. 3

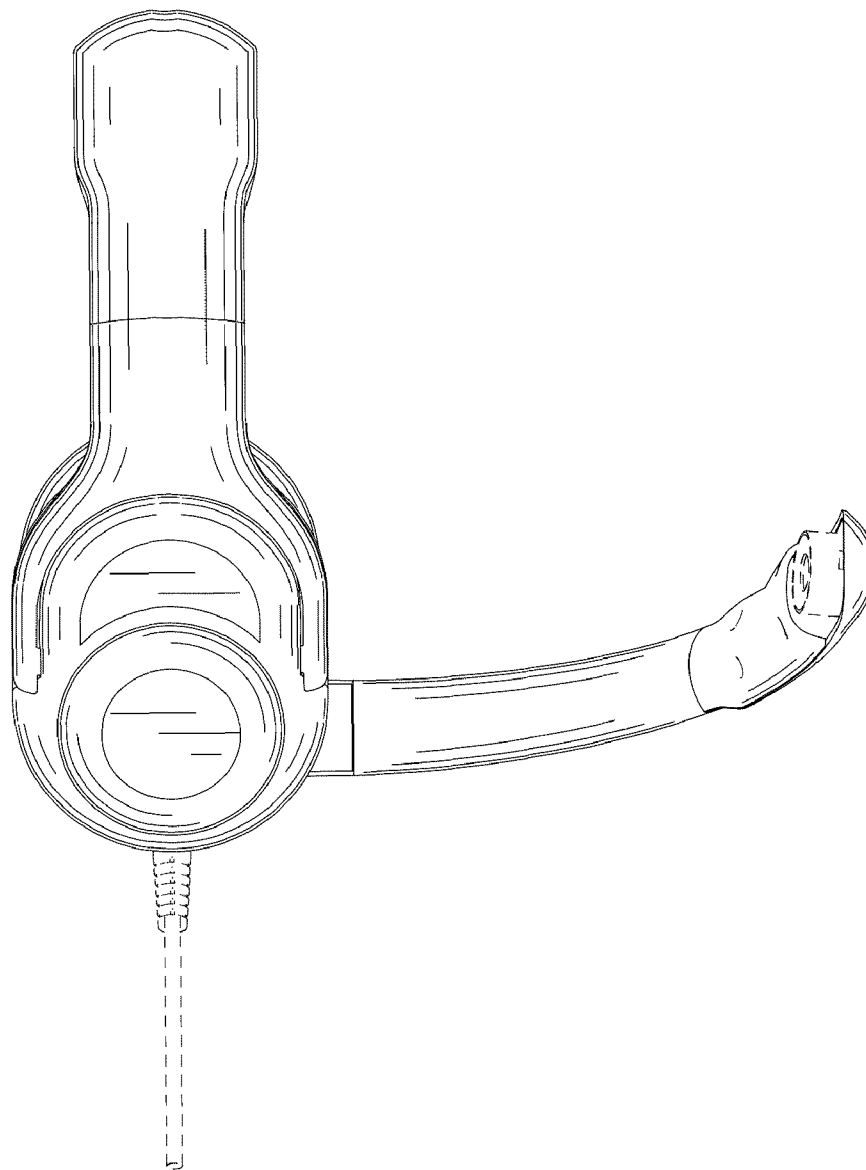


FIG. 4

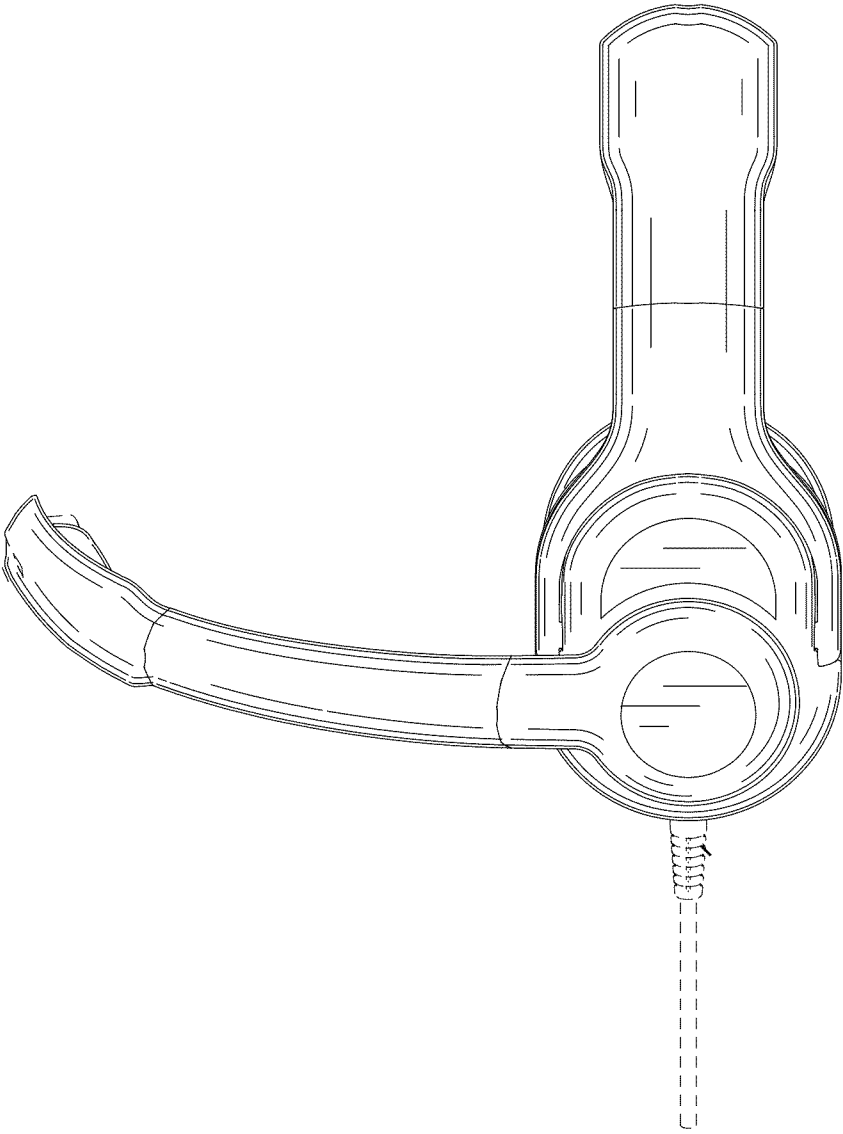


FIG. 5

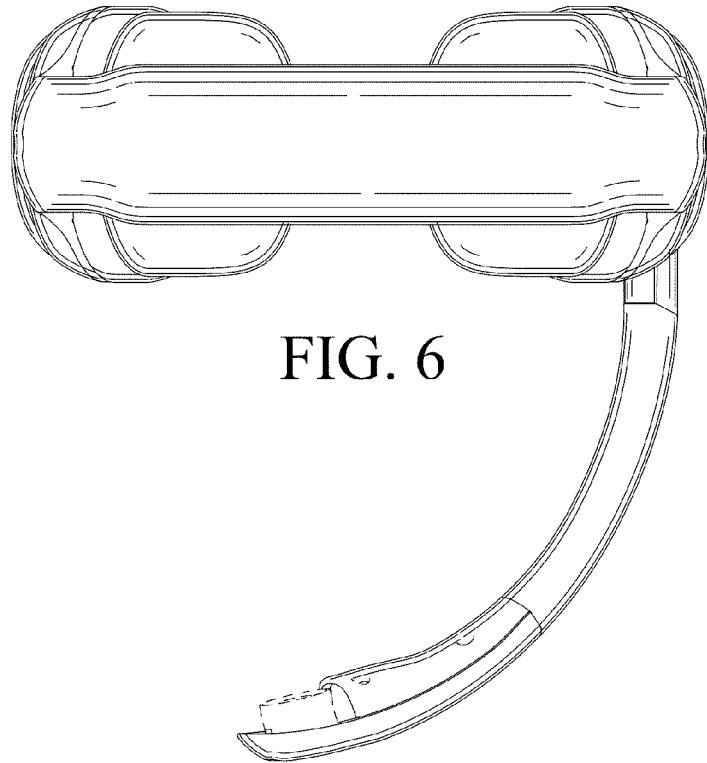


FIG. 6

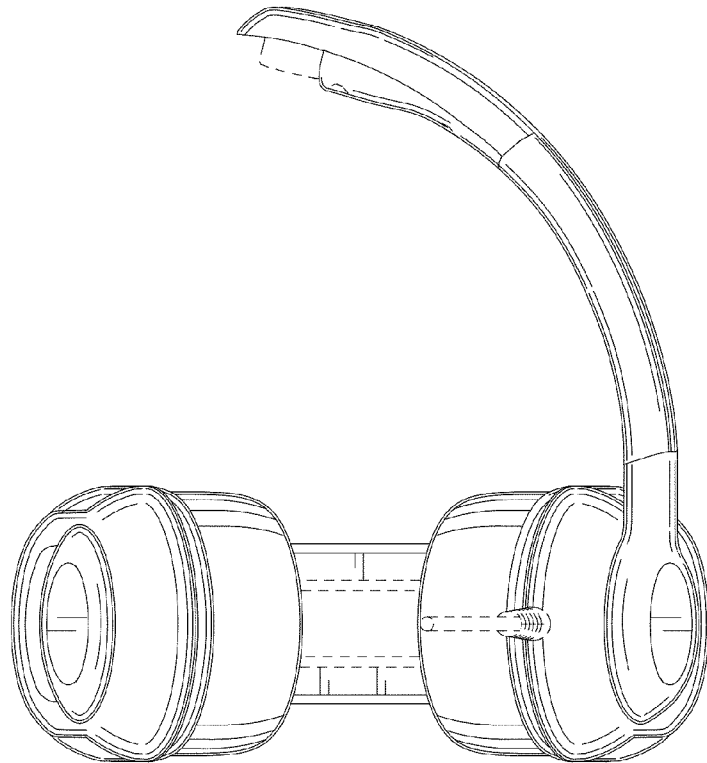


FIG. 7