



US00D892479S

(12) **United States Design Patent**  
**Han**

(10) **Patent No.:** **US D892,479 S**

(45) **Date of Patent:** **\*\* Aug. 11, 2020**

- (54) **SHOE**
- (71) Applicant: **NIKE, Inc.**, Beaverton, OR (US)
- (72) Inventor: **Charles S. Han**, Portland, OR (US)
- (73) Assignee: **NIKE, Inc.**, Beaverton, OR (US)
- (\*\*) Term: **15 Years**
- (21) Appl. No.: **29/711,702**
- (22) Filed: **Nov. 1, 2019**
- (51) **LOC (12) Cl.** ..... **02-04**
- (52) **U.S. Cl.**  
USPC ..... **D2/947; D2/972**
- (58) **Field of Classification Search**  
USPC ..... D2/902, 906, 908, 916, 918, 925,  
D2/946-962, 972, 977; 36/313, 22 R,  
36/24.5, 25 R, 28, 32 R, 34 R, 59 C,  
36/67 A, 103  
CPC ..... A43B 13/00; A43B 13/02; A43B 13/023;  
A43B 13/026; A43B 13/04; A43B 13/08;  
A43B 13/10; A43B 13/12; A43B 13/14;  
A43B 13/141; A43B 13/143; A43B  
13/16; A43B 13/18; A43B 13/181; A43B  
13/187; A43B 13/189; A43B 13/20; A43B  
13/22; A43B 13/223; A43B 13/24; A43B  
13/28; A43B 13/30; A43B 13/32; A43B  
13/34; A43B 13/36  
See application file for complete search history.

D447,858 S	9/2001	Matis et al.	
6,354,020 B1 *	3/2002	Kimball	A43B 13/203 36/135
D474,591 S	5/2003	Clegg	
D490,232 S *	5/2004	Kuerbis	D2/972
D490,233 S	5/2004	Cooper	
D509,953 S *	9/2005	Cooper	D2/972
D513,362 S *	1/2006	Kuerbis	D2/972
D530,075 S *	10/2006	Roulo	D2/972
D533,988 S *	12/2006	Minami	D2/972
D536,518 S *	2/2007	Gallegos	D2/961
D548,949 S	8/2007	Hui	
D555,343 S	11/2007	Bettencourt	
D555,345 S	11/2007	Bettencourt	
D568,602 S	5/2008	Henderson	

(Continued)

**OTHER PUBLICATIONS**

Nike Footwear Catalog, 1975 Footwear, p. 6, published date unknown, but prior to the filing date of the present application, NIKE, Inc., USA.

(Continued)

*Primary Examiner* — T Chase Nelson  
(74) *Attorney, Agent, or Firm* — Banner & Witcoff, Ltd.

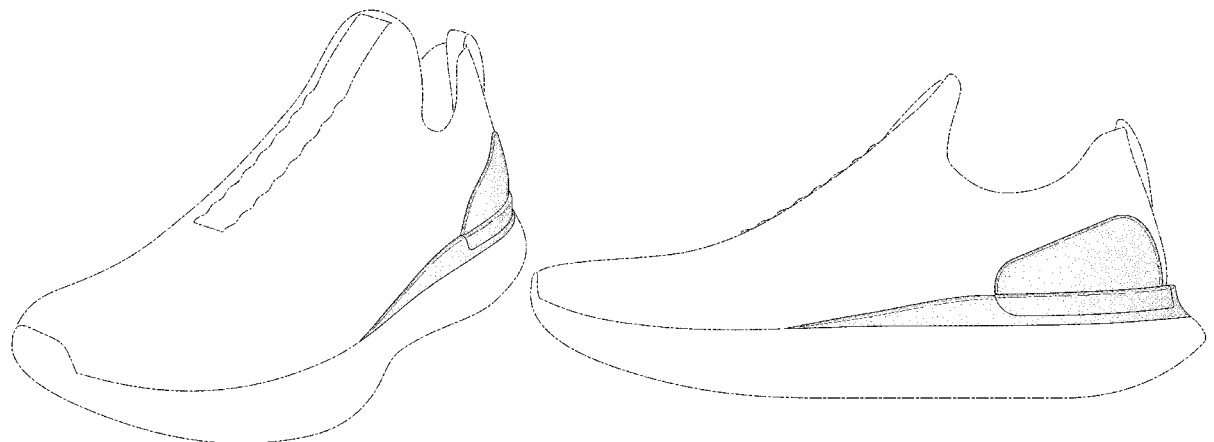
(57) **CLAIM**

The ornamental design for a shoe, as shown and described.

**DESCRIPTION**

FIG. 1 is a front perspective view of a shoe showing my new design;  
FIG. 2 is a side view thereof;  
FIG. 3 is a rear perspective view thereof; and,  
FIG. 4 is a rear view thereof.  
The broken line immediately adjacent to the rear of the shaded area defines the rear bounds of the claimed design and forms no part thereof. The broken lines depicting the remainder of the shoe form no part of the claimed design.

**1 Claim, 4 Drawing Sheets**



(56)

## References Cited

## OTHER PUBLICATIONS

## U.S. PATENT DOCUMENTS

D595,951	S	7/2009	Henderson	
D601,783	S	10/2009	Pizzuti	
D611,690	S *	3/2010	Stubblefield	D2/946
D633,697	S	3/2011	Mann	
D658,860	S	5/2012	Stryjak et al.	
D658,861	S	5/2012	Stryjak et al.	
D740,528	S	10/2015	Hardman	
D790,843	S *	7/2017	Teague	D2/972
D796,800	S *	9/2017	Chang	D2/947
D802,266	S *	11/2017	Hardman	D2/947
D807,014	S *	1/2018	Sullivan	D2/972
D808,629	S	1/2018	Parrett et al.	
D813,506	S *	3/2018	O'Connor	D2/947
D815,424	S *	4/2018	Petrie	D2/977
D816,972	S	5/2018	Pauk	
D819,311	S	6/2018	Jury et al.	
D819,312	S	6/2018	Lashmore et al.	
D821,728	S *	7/2018	Sokol	D2/972
D824,645	S *	8/2018	Gibson	D2/947
D828,994	S	9/2018	de Montgolfier	
D830,679	S *	10/2018	Durand	D2/972
D835,389	S *	12/2018	Durflinger	D2/947
D838,966	S	1/2019	Pauk	
D840,663	S *	2/2019	Flanagan	A43B 11/00 D2/972
D841,298	S	2/2019	Small	
D841,306	S	2/2019	Small	
D846,243	S *	4/2019	Comeaux	D2/947
D851,877	S *	6/2019	Small	D2/947
D851,878	S	6/2019	Pauk	
D869,832	S	6/2019	Pauk	
D853,093	S *	7/2019	Young	D2/947
D854,287	S *	7/2019	Enayah	D2/947
D858,054	S *	9/2019	McMillan	D2/947
D860,622	S	9/2019	Pauk	
D864,548	S	10/2019	Mathews	
D865,348	S	11/2019	Dieudonne	
D866,157	S	11/2019	Behr	
D866,938	S	11/2019	Remy	
D871,046	S *	12/2019	Kuerbis	A43B 23/088 D2/972
D871,048	S *	12/2019	Sartori	D2/972
D876,769	S *	3/2020	Aden	A43C 11/1493 D2/947
D877,465	S *	3/2020	Hartmann	A43B 5/00 D2/902
D878,019	S *	3/2020	McMillan	A43B 21/26 D2/947
D879,425	S *	3/2020	Raasch	A43B 23/08 D2/947
D880,119	S *	4/2020	Kuerbis	A43B 7/141 D2/947
D880,823	S *	4/2020	Little	B29D 35/04 D2/947
D880,832	S *	4/2020	Seamarks	A43B 23/24 D2/972
2004/0098881	A1 *	5/2004	Flavio	A43B 7/141 36/25 R
2008/0184592	A1 *	8/2008	Brie	B29D 35/04 36/7.1 R
2009/0293310	A1 *	12/2009	Bruce	A43B 23/24 36/91
2011/0258876	A1 *	10/2011	Baker	A43C 11/1493 36/50.1
2016/0029743	A1 *	2/2016	Cavaliere	A43B 5/00 36/105
2018/0110292	A1 *	4/2018	Beers	A43B 23/08
2018/0289109	A1 *	10/2018	Beers	A43B 21/26
2020/0121027	A1 *	4/2020	Beers	A43B 23/088

Nike Footwear Catalog, 1976 Footwear, p. 7, published date unknown, but prior to the filing date of the present application, NIKE, Inc., USA.

Nike Footwear Catalog, 1980 Footwear, p. 6, published date unknown, but prior to the filing date of the present application, NIKE, Inc., USA.

Nike Footwear Catalog, 1981 Footwear, p. 10, published Jan. 1981, NIKE, Inc., USA.

Nike Footwear Catalog, 1982 Footwear, p. 1, published Jan. 1982, NIKE, Inc., USA.

Nike Footwear Catalog, 1983 Footwear, p. 6, published Jan. 1983, NIKE, Inc., USA.

Nike Footwear Catalog, 1984 Footwear, p. 19, published Nov. 1983, NIKE, Inc., USA.

Nike Footwear Catalog, 1987 Fall Footwear, p. 44, published Jan. 1987, NIKE, Inc., USA.

Nike Footwear Catalog, 1996 Fall Footwear, p. 94, published Dec. 1995, NIKE, Inc., USA.

Nike Footwear Catalog, 1997 Holiday Footwear, p. 45, published Mar. 1997, NIKE, Inc., USA.

Nike Footwear Catalog, 1999 Spring Footwear, p. M45, published Jun. 1998, NIKE, Inc., USA.

Nike Footwear Catalog, 2010 Fall Sportswear Urban Good Footwear, p. 1, published Nov. 2009, NIKE, Inc., USA.

NIKE Footwear Catalog, 1983 Footwear, p. 2, published Jan. 1983, NIKE, Inc., USA.

NIKE Footwear Catalog, 1984 Footwear, p. 2, published Nov. 1983, NIKE, Inc., USA.

NIKE Footwear Catalog, 1987 Fall Footwear, p. 4, published Jan. 1987, NIKE, Inc., USA.

NIKE Footwear Catalog, 1990 Fall Footwear, p. 102, published Dec. 1989, NIKE, Inc., USA.

NIKE Footwear Catalog, 1991 Spring Footwear, p. 10, published Jun. 1990, NIKE, Inc., USA.

NIKE Footwear Catalog, 1992 Fall Footwear, p. 8, published Dec. 1991, NIKE, Inc., USA.

NIKE Footwear Catalog, 1995 Spring Footwear, p. 68, published Jun. 1994, NIKE, Inc., USA.

NIKE Footwear Catalog, 1995 Fall Footwear, p. 20, published Nov. 1994, NIKE, Inc., USA.

NIKE Footwear Catalog, 1995 Holiday Footwear, p. 35, published Mar. 1995, NIKE, Inc., USA.

NIKE Footwear Catalog, 1997 Spring Footwear, p. 23, published Jun. 1996, NIKE, Inc., USA.

NIKE Footwear Catalog, 2004 Spring Footwear, p. 15, published Jun. 2003, NIKE, Inc., USA.

NIKE Footwear Catalog, 2004 Fall Jordan Footwear Catalog, p. 13, published Oct. 2003, NIKE, Inc. USA.

NIKE Footwear Catalog, 2006 Spring Footwear, p. 207, published date unknown, but prior to the filing date of the present application, NIKE, Inc., USA.

NIKE Footwear Catalog, 2006 Fall Footwear, p. 41, published Nov. 2005, NIKE, Inc., USA.

NIKE Footwear Catalog, 2007 Spring Footwear, p. 40, published Jun. 2006, NIKE, Inc., USA.

NIKE Footwear Catalog, 2007 Spring Footwear, p. 104, published Jun. 2006, NIKE, Inc., USA.

NIKE Footwear Catalog, 2007 Fall Footwear, p. 21, published Nov. 2006, NIKE, Inc., USA.

NIKE Footwear Catalog, 2008 Spring Footwear, p. 10, published May 2007, NIKE, Inc., USA.

NIKE Footwear Catalog, 2009 Spring Sport Performance Footwear, p. 62, published May 2008, NIKE, Inc., USA.

NIKE Footwear Catalog, 2009 Fall Sport Performance Footwear, p. 111, published Nov. 2008, NIKE, Inc., USA.

NIKE Footwear Catalog, 2011 Fall Women's Performance Footwear, p. 6, published Nov. 2010, NIKE, Inc., USA.

\* cited by examiner

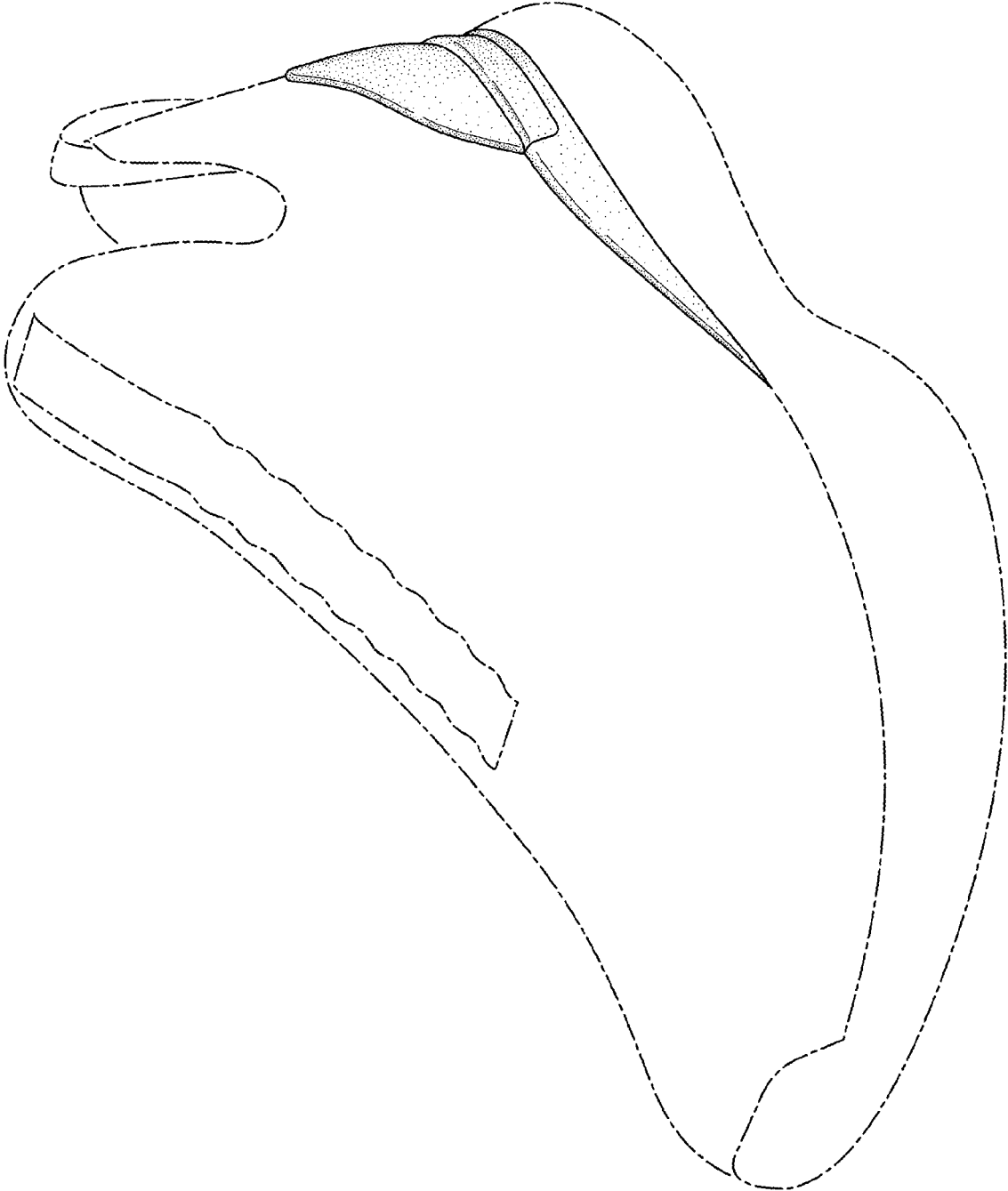


FIG. 1

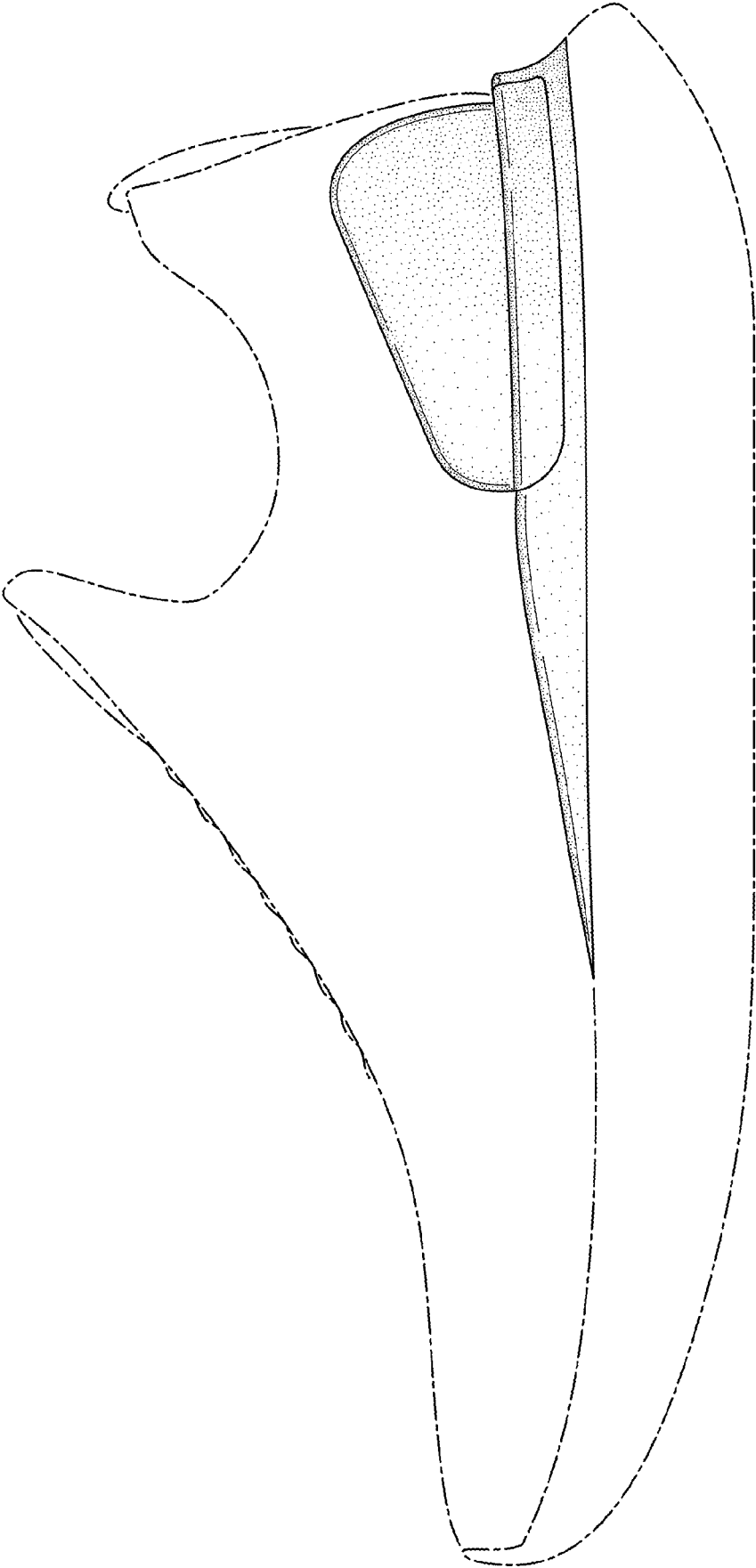


FIG. 2

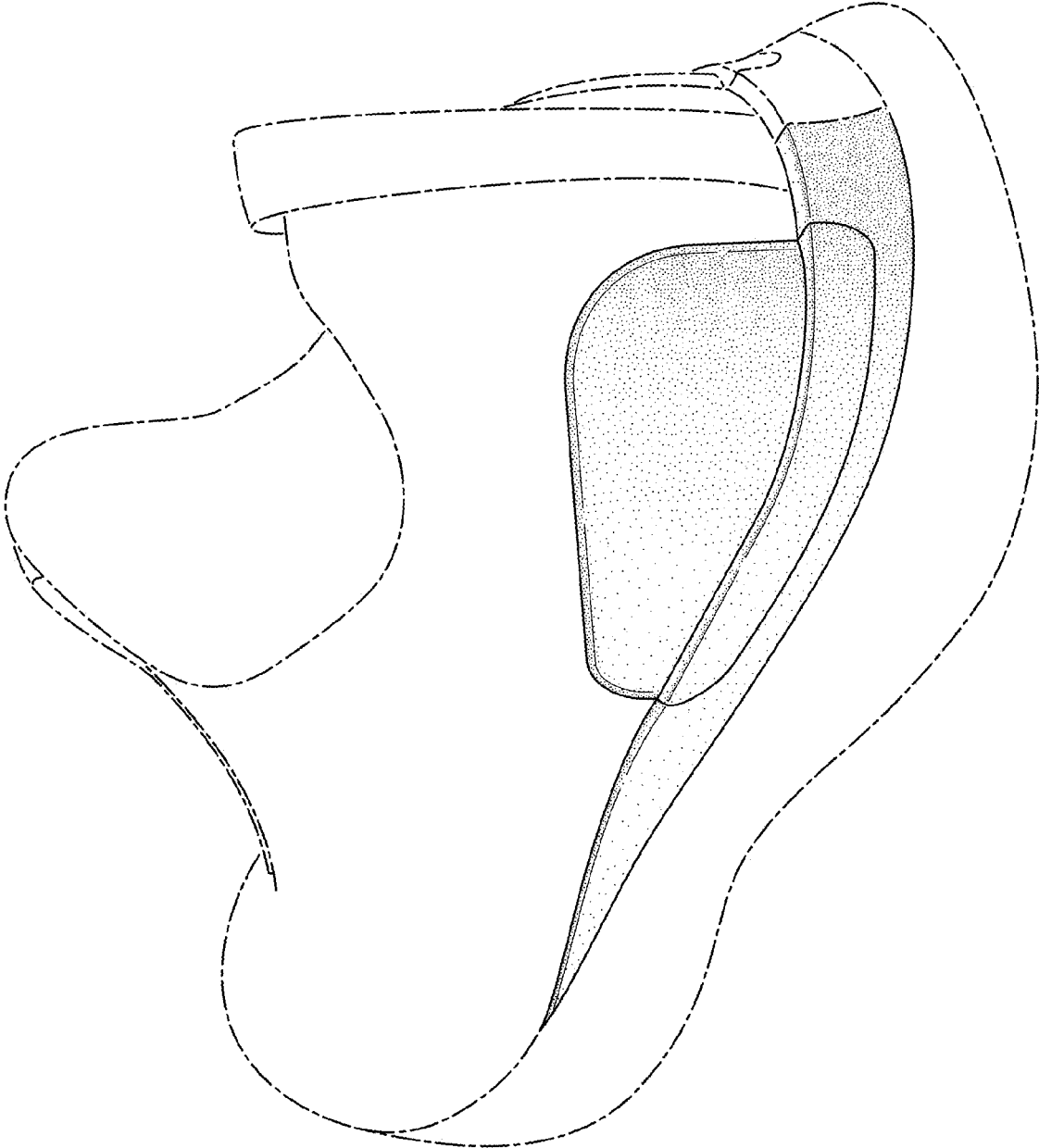


FIG. 3

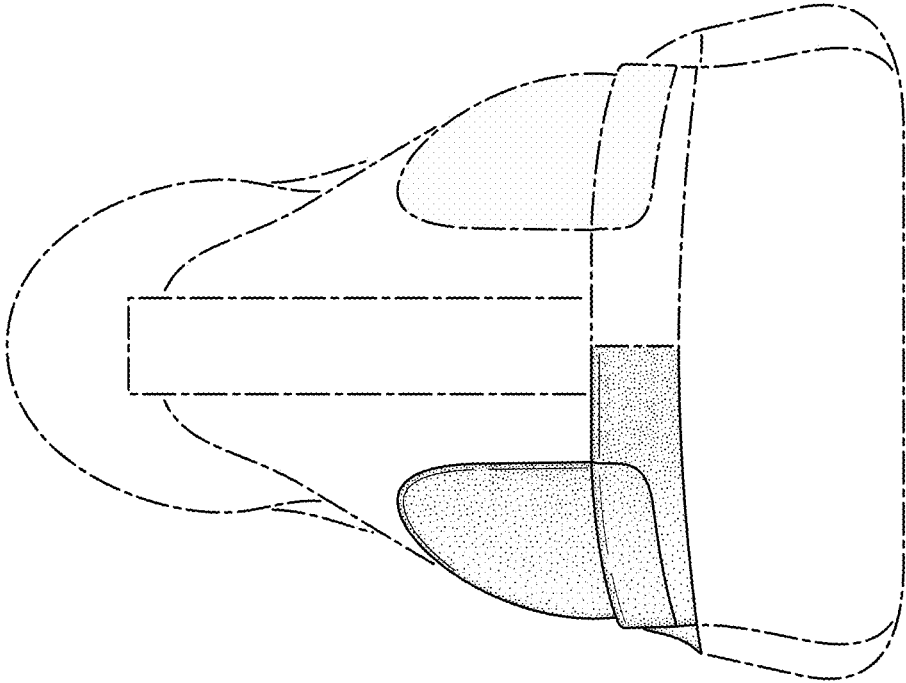


FIG. 4