



US0D1042953S

(12) **United States Design Patent**  
**Huang**

(10) **Patent No.:** **US D1,042,953 S**

(45) **Date of Patent:** **\*\* Sep. 17, 2024**

(54) **HAIR DRYER**

(71) Applicant: **Dongguan Empress Technology Co., Ltd.**, Dongguan (CN)

(72) Inventor: **Hali Huang**, Hanchuan (CN)

(73) Assignee: **Dongguan Empress Technology Co., Ltd.**, Dongguan (CN)

(\*\*) Term: **15 Years**

(21) Appl. No.: **29/847,043**

(22) Filed: **Jul. 21, 2022**

(30) **Foreign Application Priority Data**

May 10, 2022 (CN) ..... 202230271567.8

(51) **LOC (14) Cl.** ..... **28-03**

(52) **U.S. Cl.**  
USPC ..... **D28/13**

(58) **Field of Classification Search**  
USPC ..... D28/12-19; D8/29.1  
CPC ..... A45D 20/00; A45D 20/04; A45D 20/08;  
A45D 20/10; A45D 20/12; A45D  
2020/128

See application file for complete search history.

(56) **References Cited**

**U.S. PATENT DOCUMENTS**

D931,531 S \* 9/2021 Chen ..... D28/13  
D933,291 S \* 10/2021 Huang ..... D28/13  
D948,117 S \* 4/2022 Lin ..... D28/13  
D986,500 S \* 5/2023 Chen ..... D28/13  
D992,200 S \* 7/2023 Jiang ..... D28/13

D997,450 S \* 8/2023 Jiang ..... D28/13  
D1,000,702 S \* 10/2023 Huang ..... D28/13  
D1,013,275 S \* 1/2024 Huang ..... D28/13

\* cited by examiner

*Primary Examiner* — Zenia I Bennett

(74) *Attorney, Agent, or Firm* — Birchwood IP

(57) **CLAIM**

The ornamental design for a hair dryer, as shown and described.

**DESCRIPTION**

FIG. 1 is a perspective view of a first embodiment of a hair dryer, showing my new design;

FIG. 2 is a front view thereof;

FIG. 3 is a rear view thereof;

FIG. 4 is a left side view thereof;

FIG. 5 is a right side view thereof;

FIG. 6 is a top plan view thereof;

FIG. 7 is a bottom plan view thereof;

FIG. 8 is an enlarged view of portion 8 shown in FIG. 1;

FIG. 9 is a perspective view of a second embodiment of a hair dryer;

FIG. 10 is a front view thereof;

FIG. 11 is a rear view thereof;

FIG. 12 is a left side view thereof;

FIG. 13 is a right side view thereof;

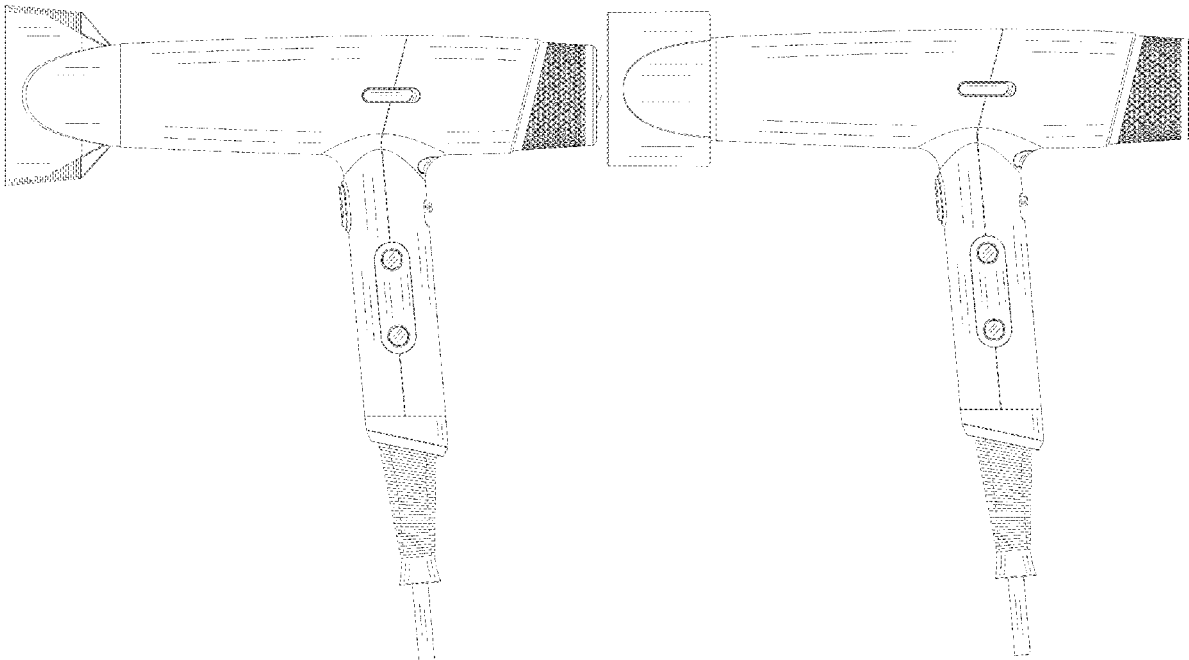
FIG. 14 is a top plan view thereof;

FIG. 15 is a bottom plan view thereof; and,

FIG. 16 is an enlarged view of portion 16 shown in FIG. 9.

The broken line showing of the hair dryer is for the purpose of illustrating article and forms no part of the claimed design.

**1 Claim, 16 Drawing Sheets**



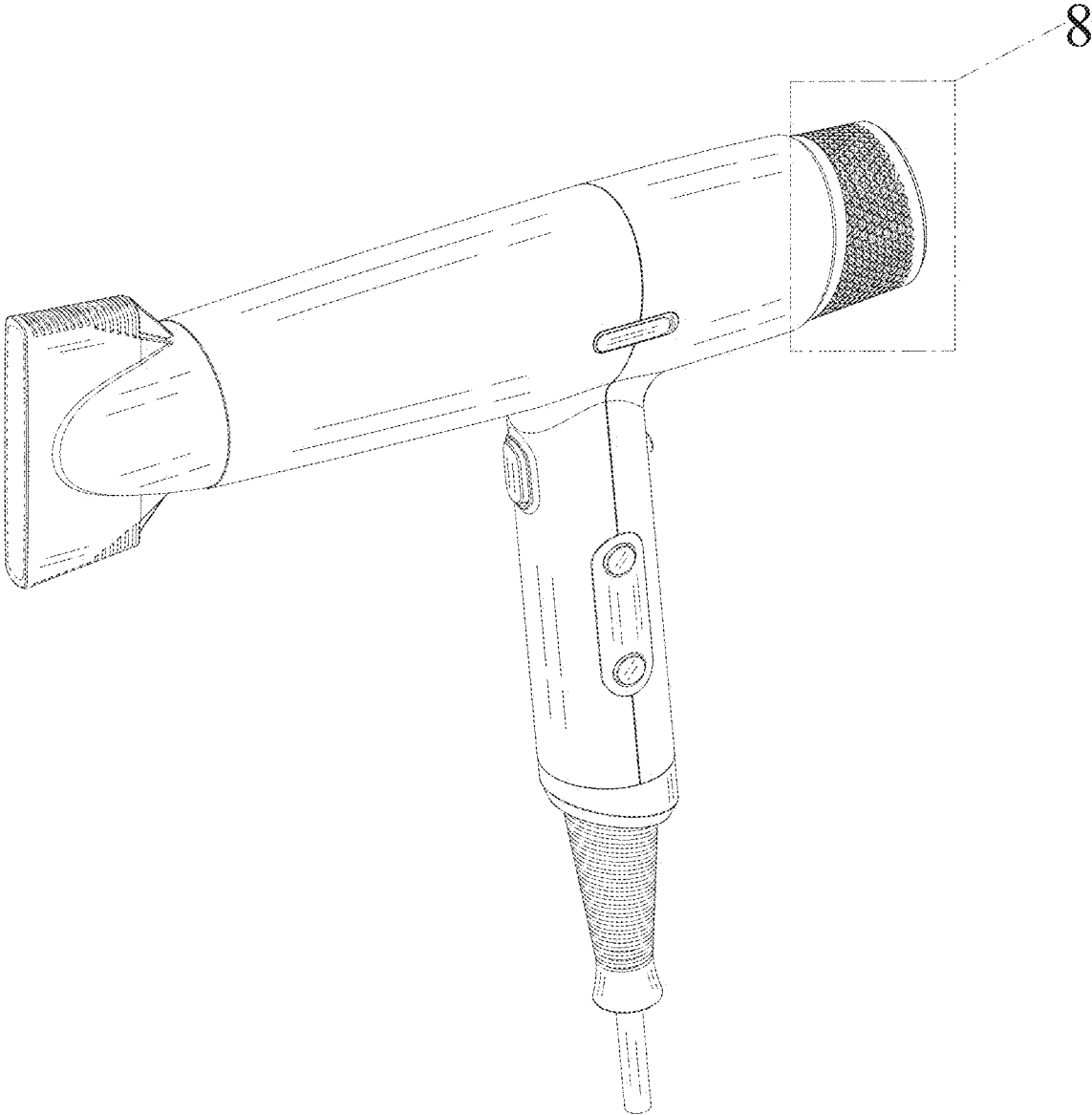


FIG. 1

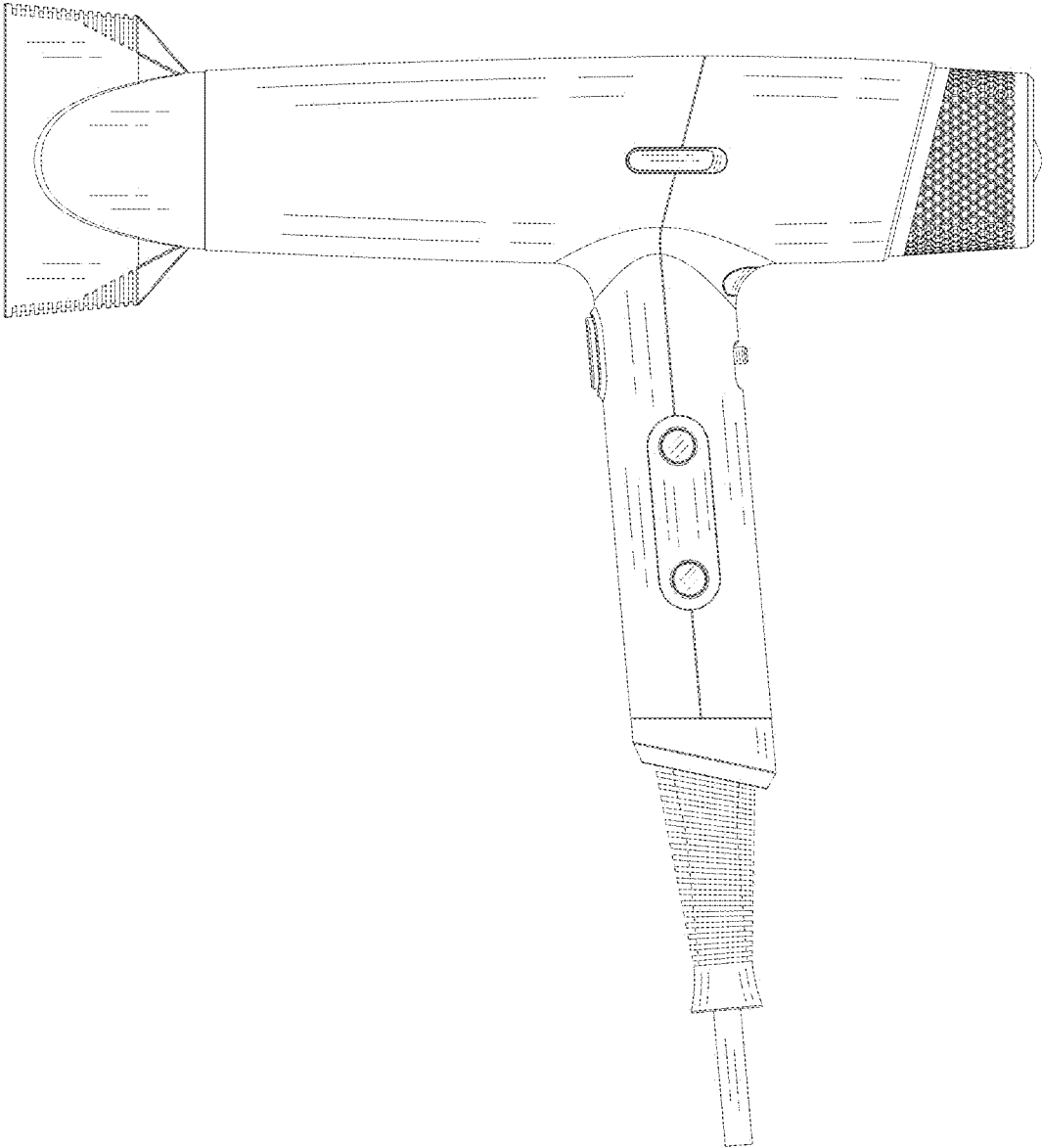


FIG. 2

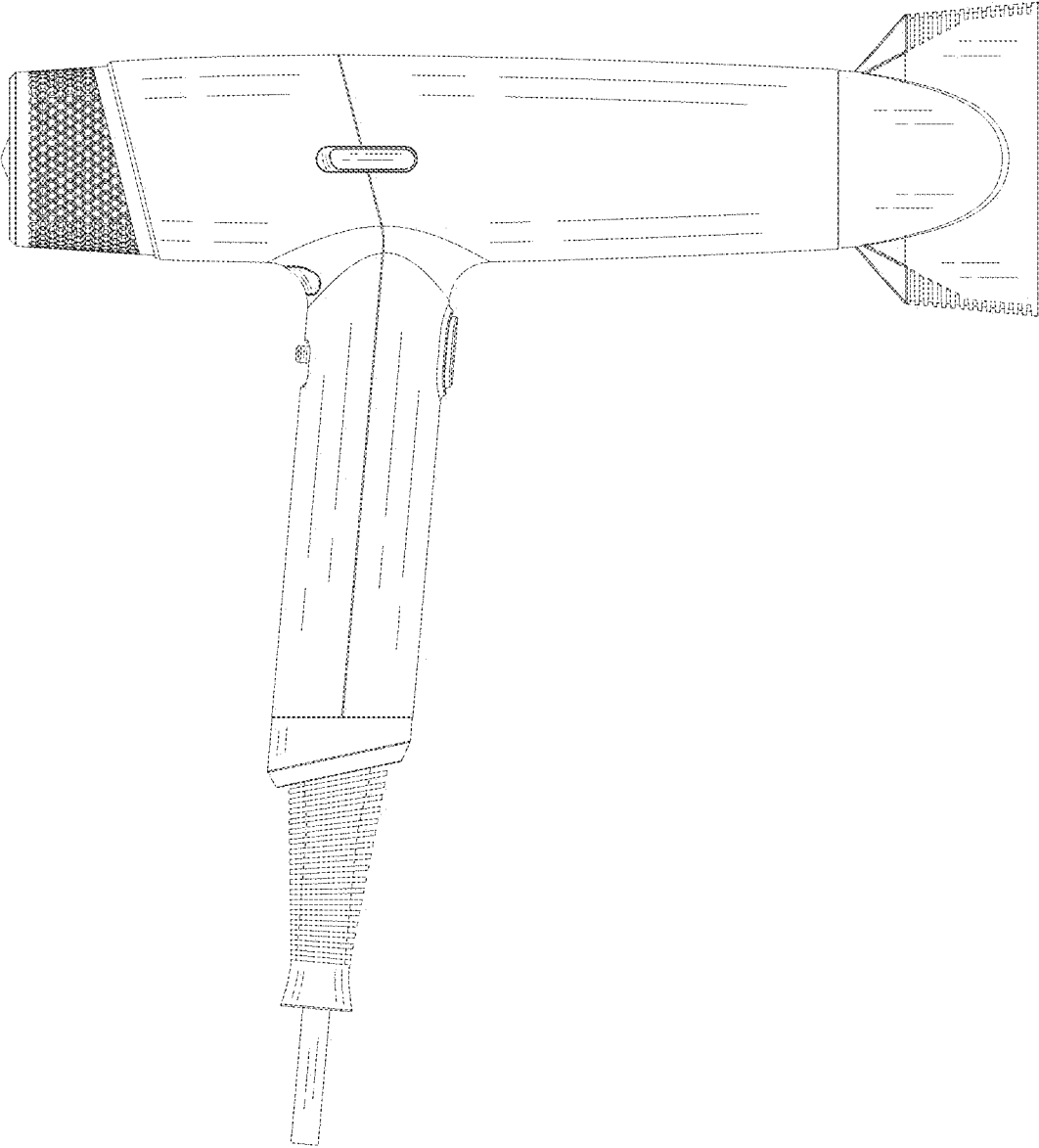


FIG. 3

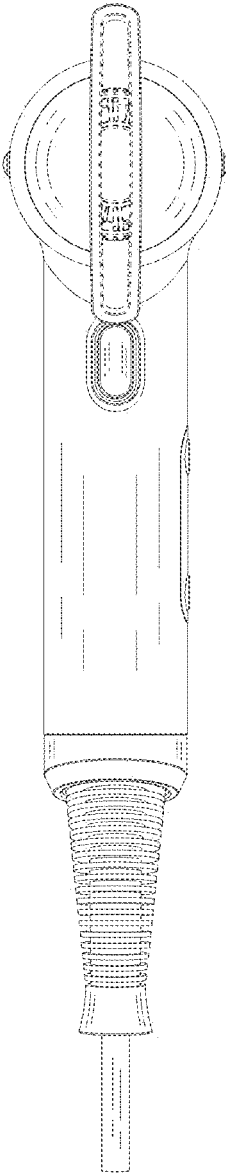


FIG. 4

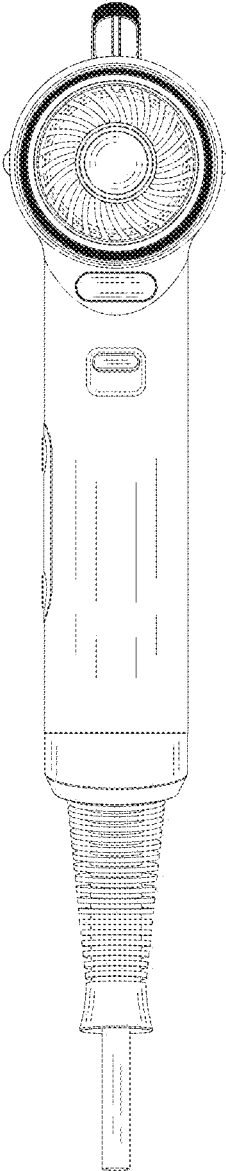


FIG. 5

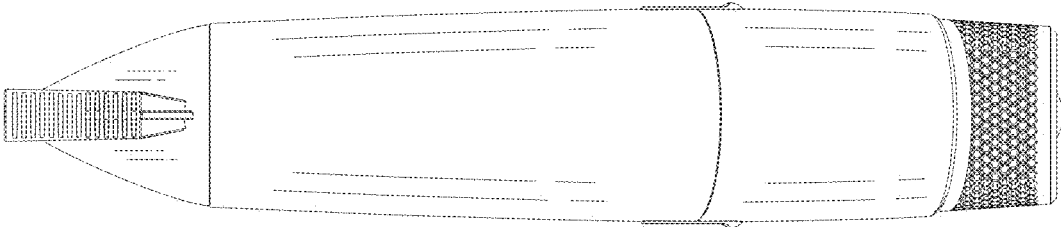


FIG. 6

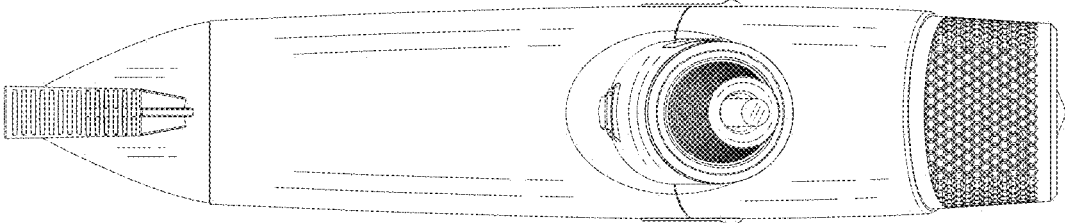


FIG. 7



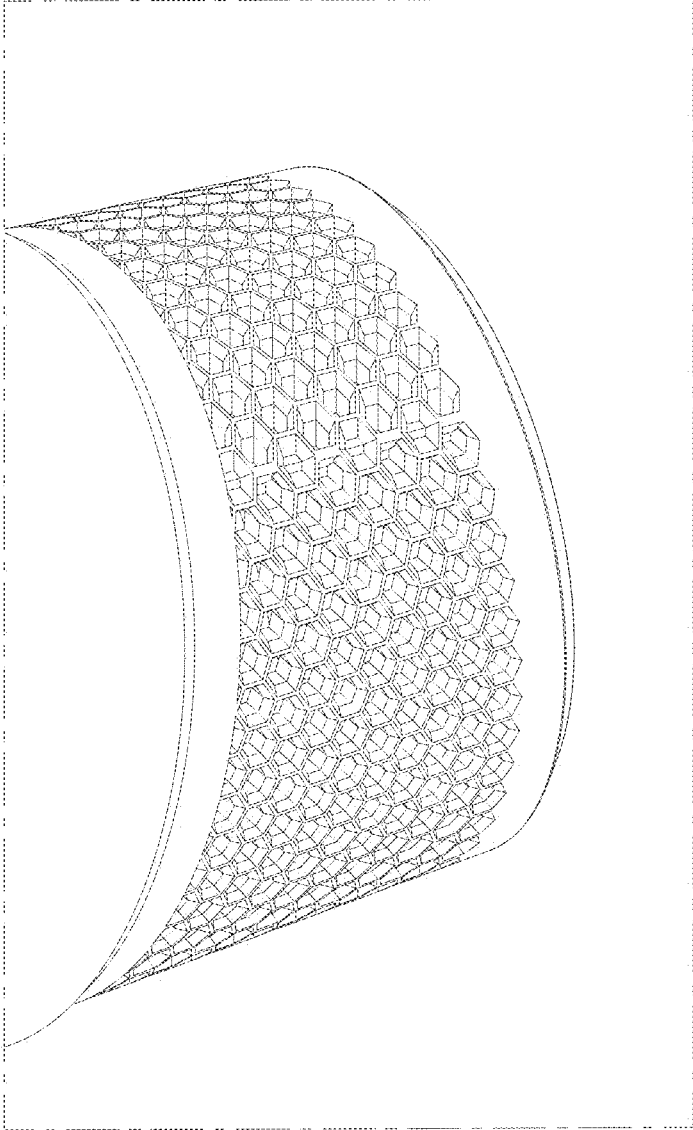


FIG. 8

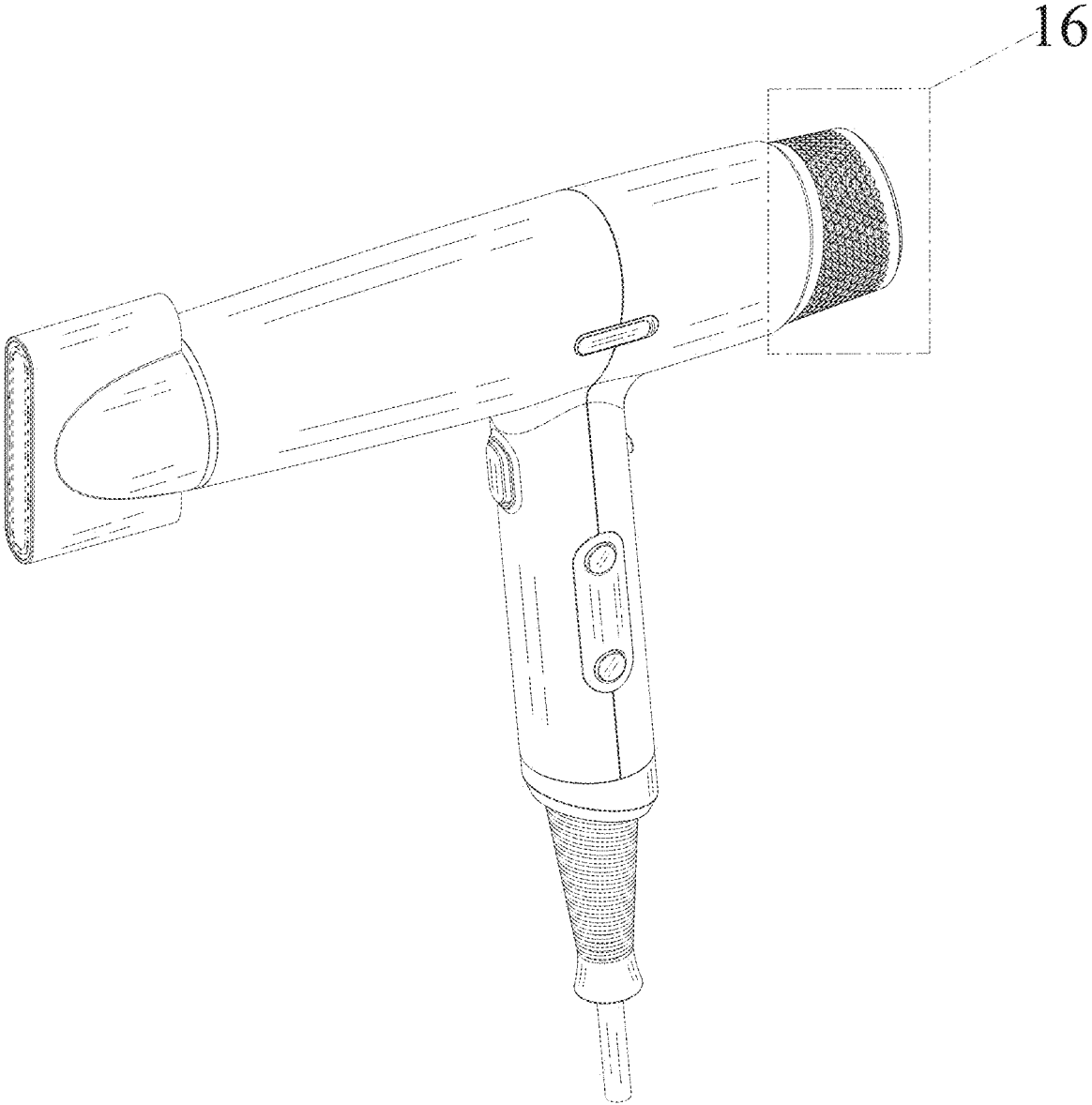


FIG. 9

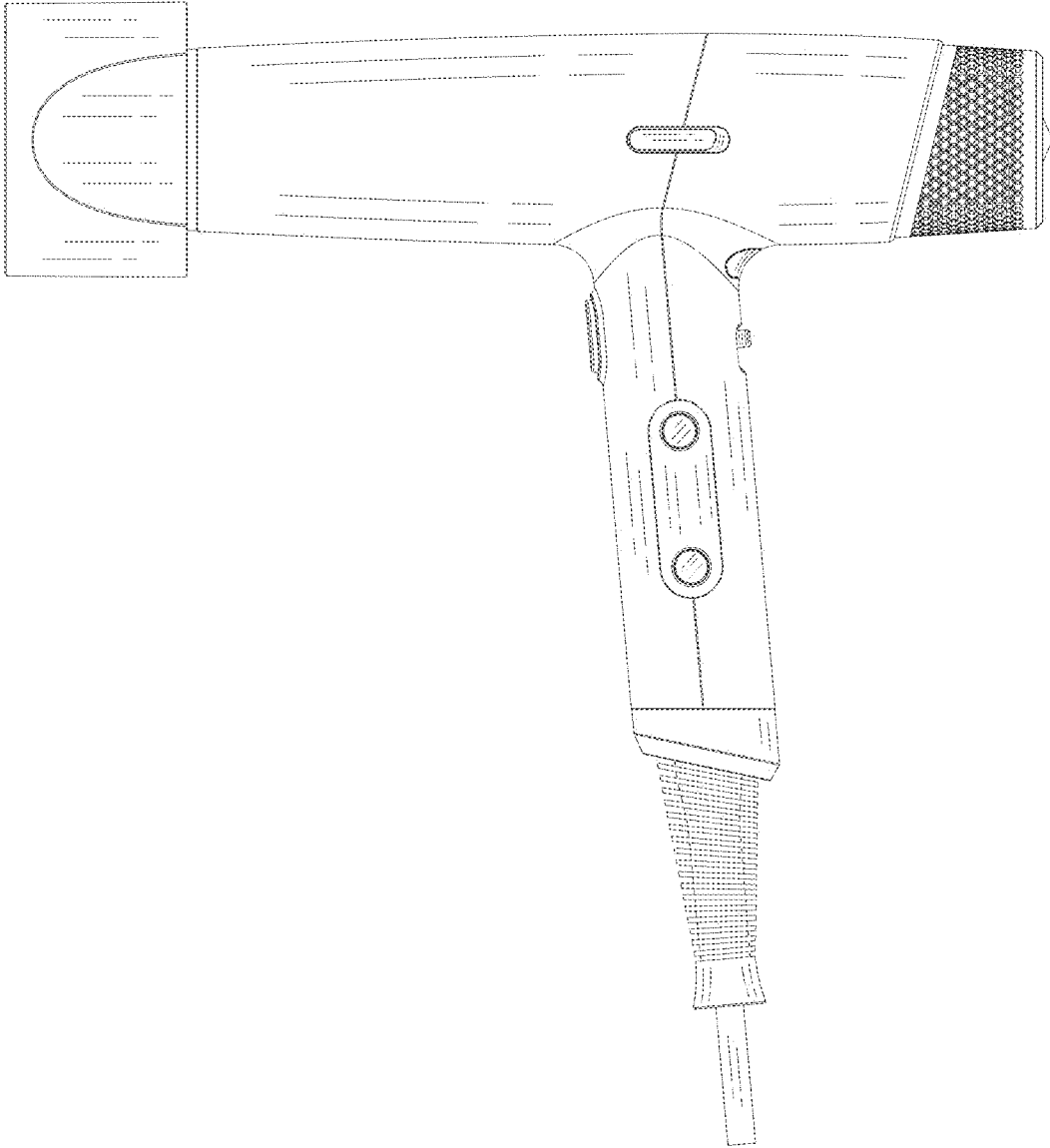


FIG. 10

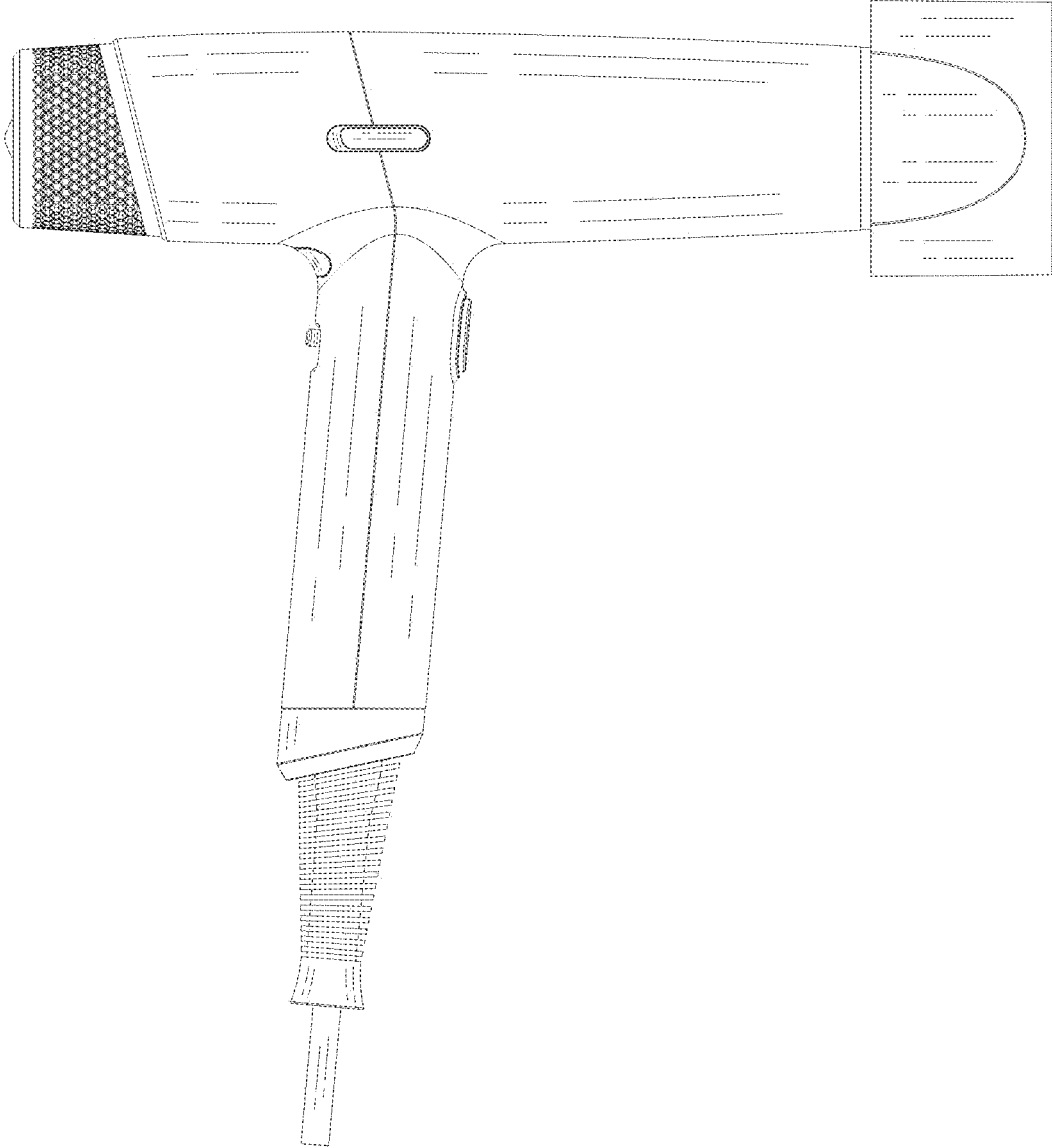


FIG. 11

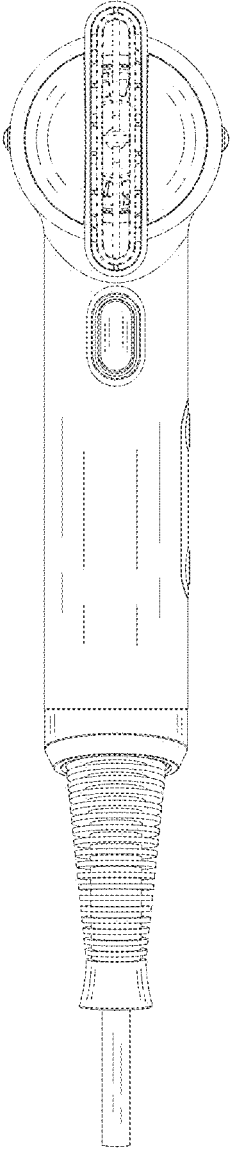


FIG. 12

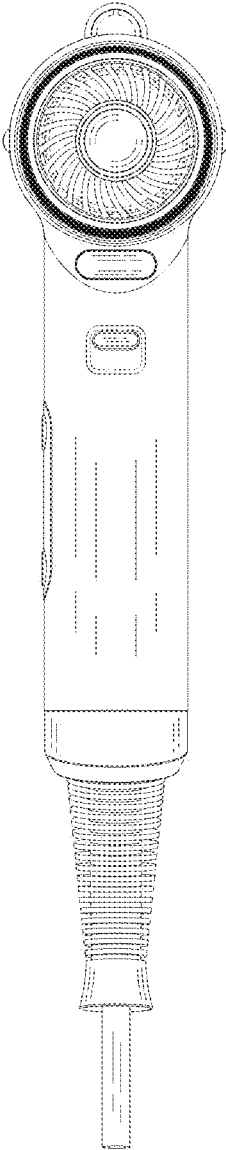


FIG. 13

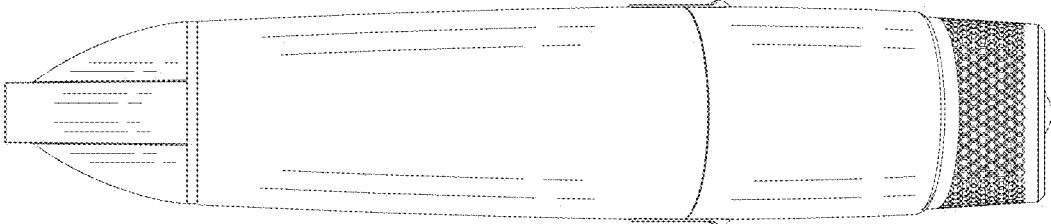


FIG. 14

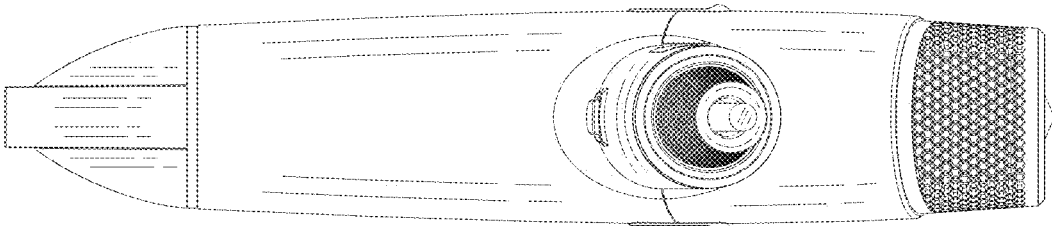


FIG. 15



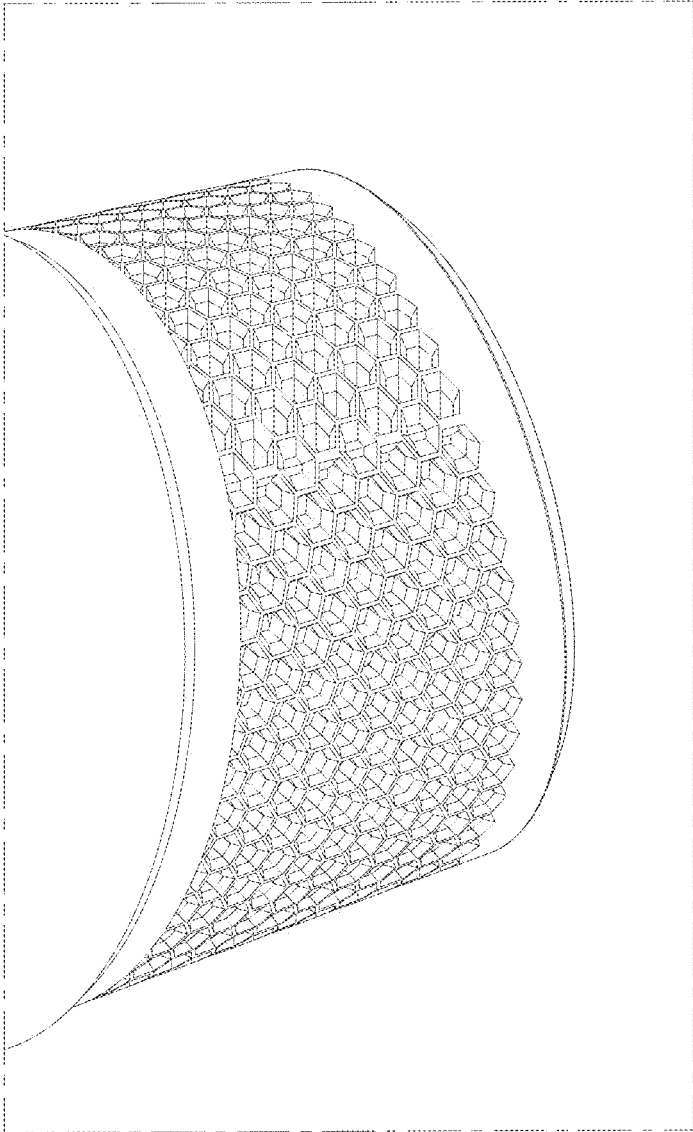


FIG. 16