



US00D762058S

(12) **United States Design Patent**  
**Moore**

(10) **Patent No.:** **US D762,058 S**

(45) **Date of Patent:** **\*\* Jul. 26, 2016**

- (54) **TOURNIQUET HOLSTER**
- (71) Applicant: **Terence Moore**, Pearland, TX (US)
- (72) Inventor: **Terence Moore**, Pearland, TX (US)
- (\*\*) Term: **14 Years**
- (21) Appl. No.: **29/514,684**
- (22) Filed: **Jan. 15, 2015**
- (51) **LOC (10) Cl.** ..... **03-01**
- (52) **U.S. Cl.**  
USPC ..... **D3/215; D3/203.5**
- (58) **Field of Classification Search**  
USPC ..... D3/215, 218, 228-229, 203.1, 203.5;  
224/240-241, 683, 219, 222, 267, 269,  
224/624, 930, 932, 236; D24/168, 188;  
606/203  
CPC ..... A45F 3/00; A45F 3/14; A45F 2003/006;  
A45F 2005/00; A45F 5/00; A45F 5/021  
See application file for complete search history.

- 6,412,674 B1 \* 7/2002 Lipke ..... A45F 5/00  
224/235
- D467,069 S \* 12/2002 TenHoeve ..... D3/218
- D675,011 S \* 1/2013 Stiefel ..... D3/215
- D689,281 S 9/2013 Blundell
- 2010/0200627 A1 8/2010 Shen
- 2014/0027480 A1 1/2014 Heusen

\* cited by examiner

*Primary Examiner* — Catheri Oliver-Garcia  
(74) *Attorney, Agent, or Firm* — Kenneth A. Roddy

(57) **CLAIM**

The ornamental design for a tourniquet holster, as shown and described.

**DESCRIPTION**

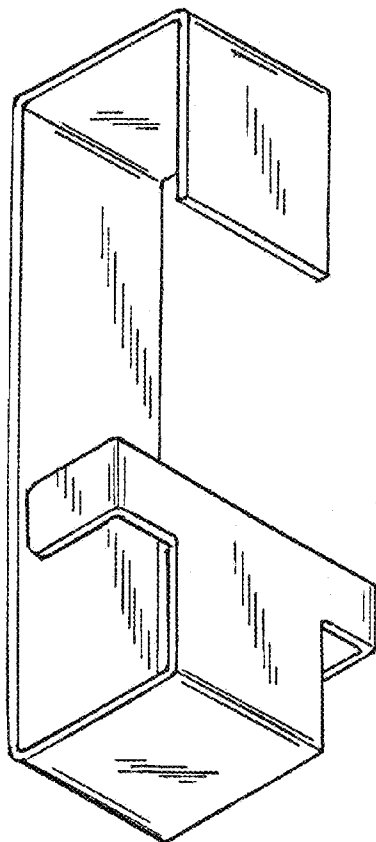
FIG. 1 is a perspective view a tourniquet holster showing my new design from the front, bottom, and left side;  
FIG. 2 is a perspective view thereof showing my new design from the rear, top, and right side;  
FIG. 3 is a front elevation view thereof;  
FIG. 4 is a side elevation view thereof, the opposed side elevation view being a mirror image thereof;  
FIG. 5 is a rear elevation view thereof;  
FIG. 6 is a top plan view thereof; and,  
FIG. 7 is a bottom plan view thereof.

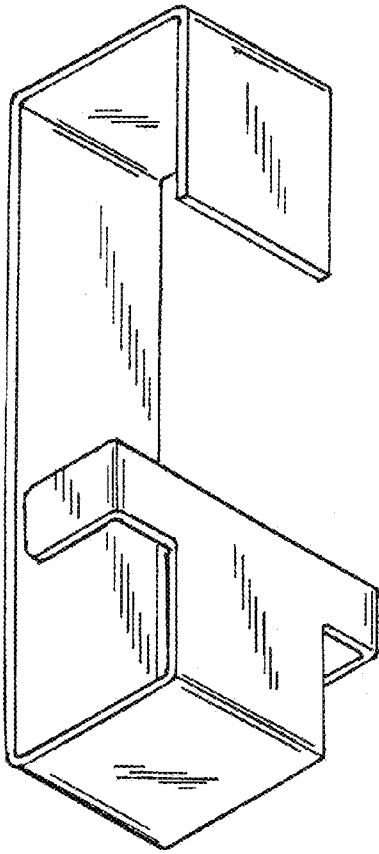
(56) **References Cited**

U.S. PATENT DOCUMENTS

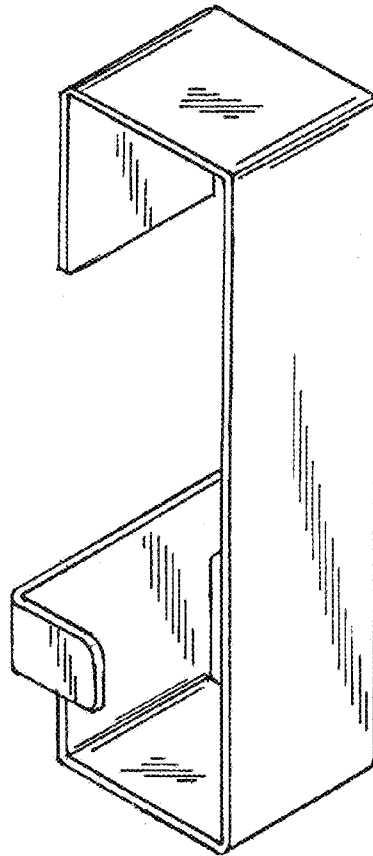
- D306,521 S \* 3/1990 Kenney ..... D3/215
- D395,545 S \* 6/1998 Crim, Jr. .... D3/218

**1 Claim, 2 Drawing Sheets**

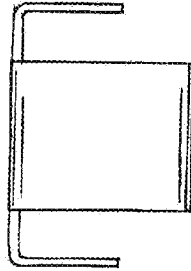




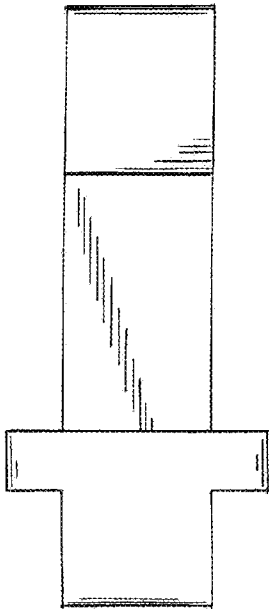
*Fig. 1*



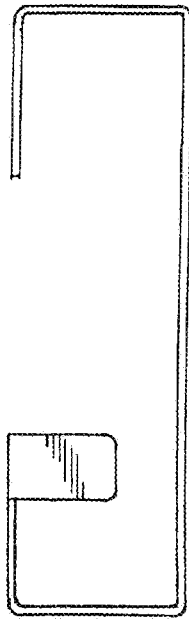
*Fig. 2*



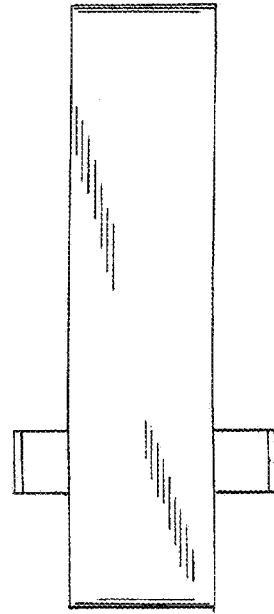
*Fig. 6*



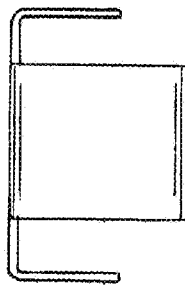
*Fig. 3*



*Fig. 4*



*Fig. 5*



*Fig. 7*