



US00D929666S

(12) **United States Design Patent**
He

(10) **Patent No.:** **US D929,666 S**

(45) **Date of Patent:** **** Aug. 31, 2021**

- (54) **PET CARRIER**
- (71) Applicant: **SHENZHEN HUICHUANGYING PACKAGING MATERIALS CO., LTD.,** Shenzhen (CN)
- (72) Inventor: **Yan He,** Shenzhen (CN)
- (73) Assignee: **SHENZHEN HUICHUANGYING PACKAGING MATERIALS CO., LTD.,** Shenzhen (CN)
- (**) Term: **15 Years**
- (21) Appl. No.: **29/701,198**
- (22) Filed: **Aug. 9, 2019**
- (51) **LOC (13) Cl.** **30-02**
- (52) **U.S. Cl.**
USPC **D30/108**
- (58) **Field of Classification Search**
USPC D30/108–120; D3/221–232
CPC A01K 1/0035; A01K 1/0236; A01K 1/029;
A01K 1/034
See application file for complete search history.

8,171,888	B2 *	5/2012	Chou	A01K 1/0254	119/497
D662,263	S *	6/2012	Chau	D30/109	D30/109
D671,317	S *	11/2012	Sabounjian	D3/285	D3/285
D685,952	S *	7/2013	Dixon	D30/109	D30/109
D688,457	S *	8/2013	Harris	D3/285	D3/285
D688,458	S *	8/2013	Harris	D3/285	D3/285
D698,150	S *	1/2014	Sabounjian	D3/285	D3/285
D715,500	S *	10/2014	Renforth	D30/109	D30/109
D722,728	S *	2/2015	Renforth	D30/109	D30/109
D724,792	S *	3/2015	Renforth	D30/109	D30/109
D732,824	S *	6/2015	Tzortzis	D3/288	D3/288
9,259,066	B2 *	2/2016	Pratt	A45C 13/04	A45C 13/04
D759,319	S *	6/2016	Chang	D30/109	D30/109
D782,820	S *	4/2017	Thompson	D3/283	D3/283
D798,589	S *	10/2017	Boroski	D3/243	D3/243
D800,451	S *	10/2017	Collins	D3/254	D3/254
D804,738	S *	12/2017	Nourollah	D30/109	D30/109
D808,084	S *	1/2018	Lu	D30/109	D30/109
9,901,153	B2 *	2/2018	Nash	A45F 3/04	A45F 3/04
D818,204	S *	5/2018	Renforth	D30/109	D30/109
2008/0072837	A1 *	3/2008	Redzisz	A01K 1/0254	119/474

(Continued)

Primary Examiner — Aula Soroush

(57) **CLAIM**

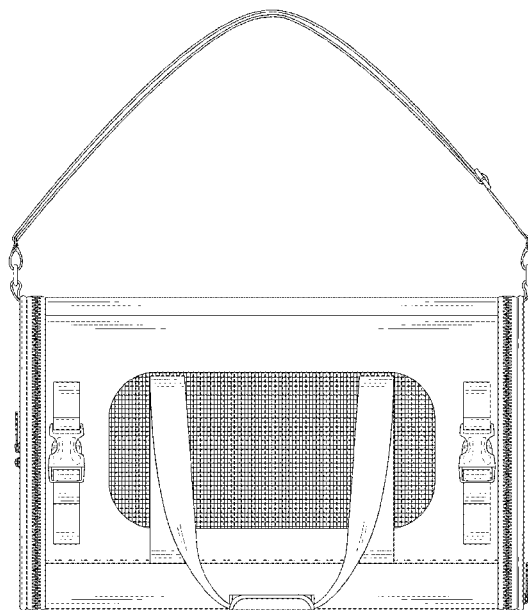
The ornamental design for a pet carrier, as shown and described.

DESCRIPTION

FIG. 1 is a front elevational view thereof;
 FIG. 2 is a rear elevational view thereof;
 FIG. 3 is a left side elevational view thereof;
 FIG. 4 is a right side elevational view thereof;
 FIG. 5 is a top plan view thereof;
 FIG. 6 is a bottom plan view thereof; and,
 FIG. 7 is a perspective view thereof.
 The broken lines are for the purpose of illustrating portions of the pet carrier and form no part of the claimed design.

1 Claim, 7 Drawing Sheets

- (56) **References Cited**
U.S. PATENT DOCUMENTS
- D387,508 S * 12/1997 Van Engers D30/109
- D398,082 S * 9/1998 Martz D3/273
- D398,083 S * 9/1998 Martz D3/273
- 5,941,195 A * 8/1999 Martz A01K 1/0254
- 119/497
- D472,378 S * 4/2003 Hassett D3/263
- 7,210,426 B2 * 5/2007 Yeung A01K 1/0254
- 119/497
- D575,461 S * 8/2008 Cannon D3/273
- D620,708 S * 8/2010 Sanz D3/276
- D649,719 S * 11/2011 Siklosi D30/109



(56)

References Cited

U.S. PATENT DOCUMENTS

2009/0205578	A1*	8/2009	Alves	A01K 1/0107 119/454
2011/0127132	A1*	6/2011	Fair	A45C 13/02 190/110
2012/0186533	A1*	7/2012	Lu	A01K 1/0254 119/497
2012/0267365	A1*	10/2012	Sabounjian	A45C 13/02 220/6
2016/0101924	A1*	4/2016	Mitchell	B65D 43/16 220/592.2

* cited by examiner

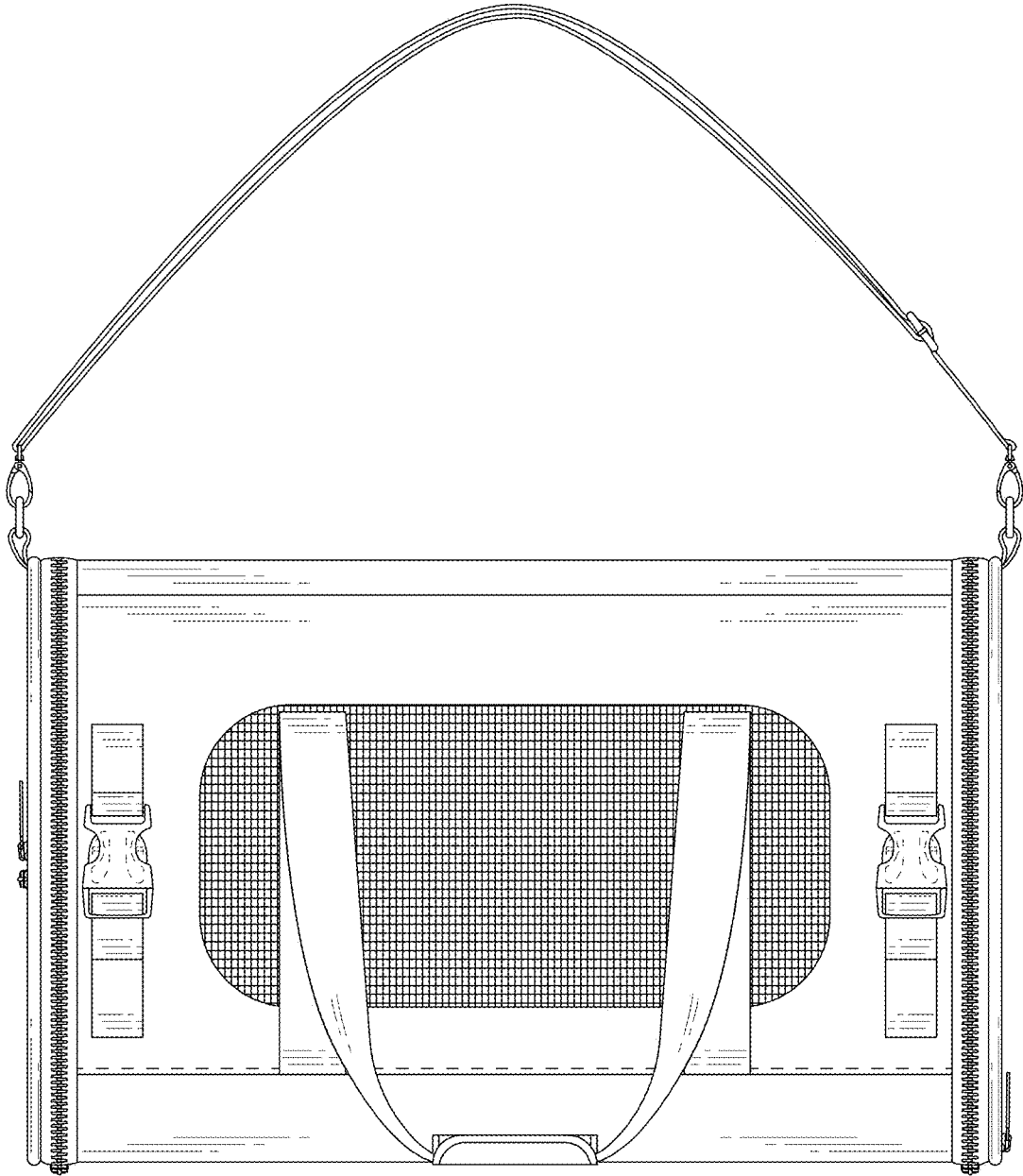


FIG. 1

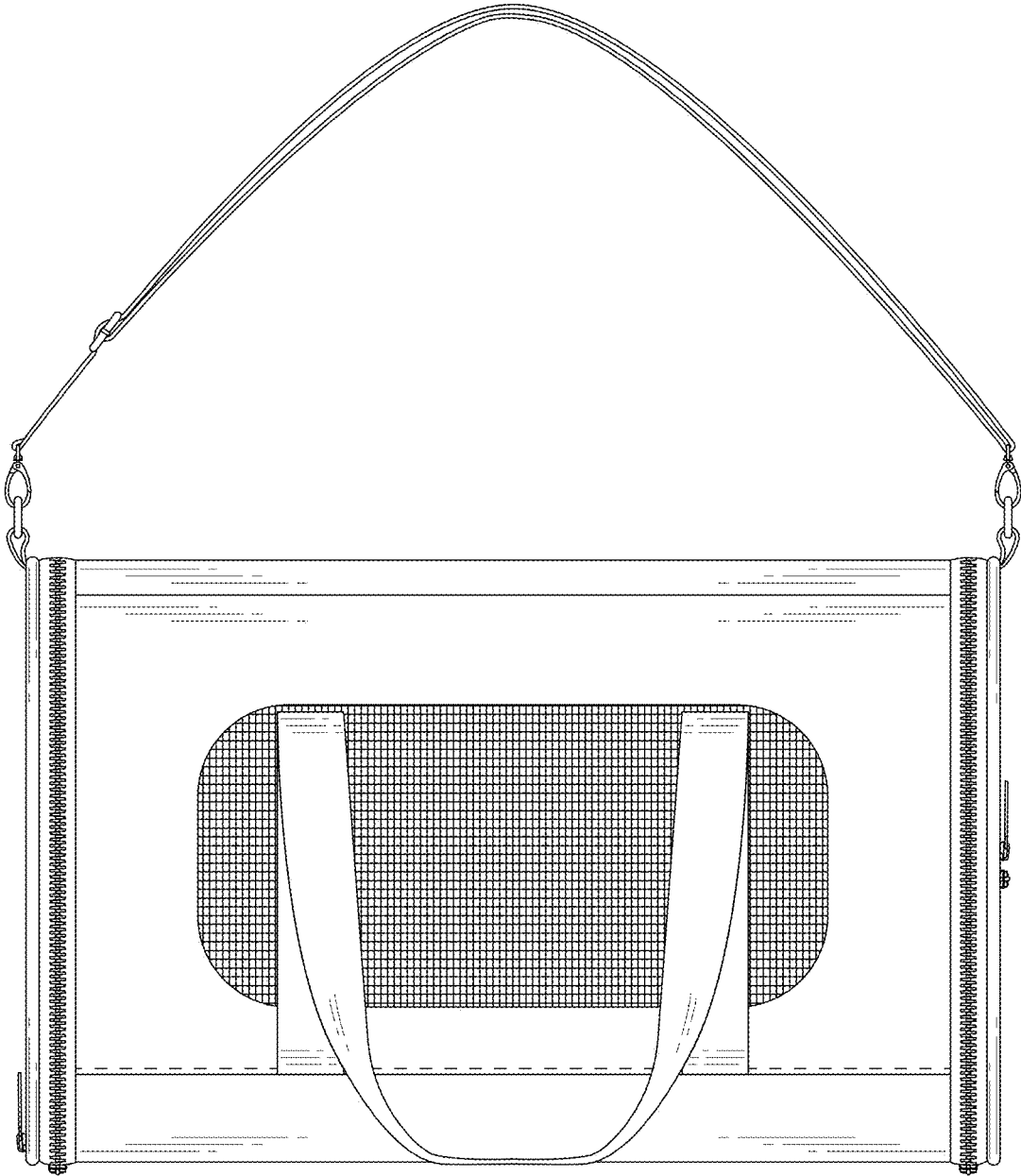


FIG. 2

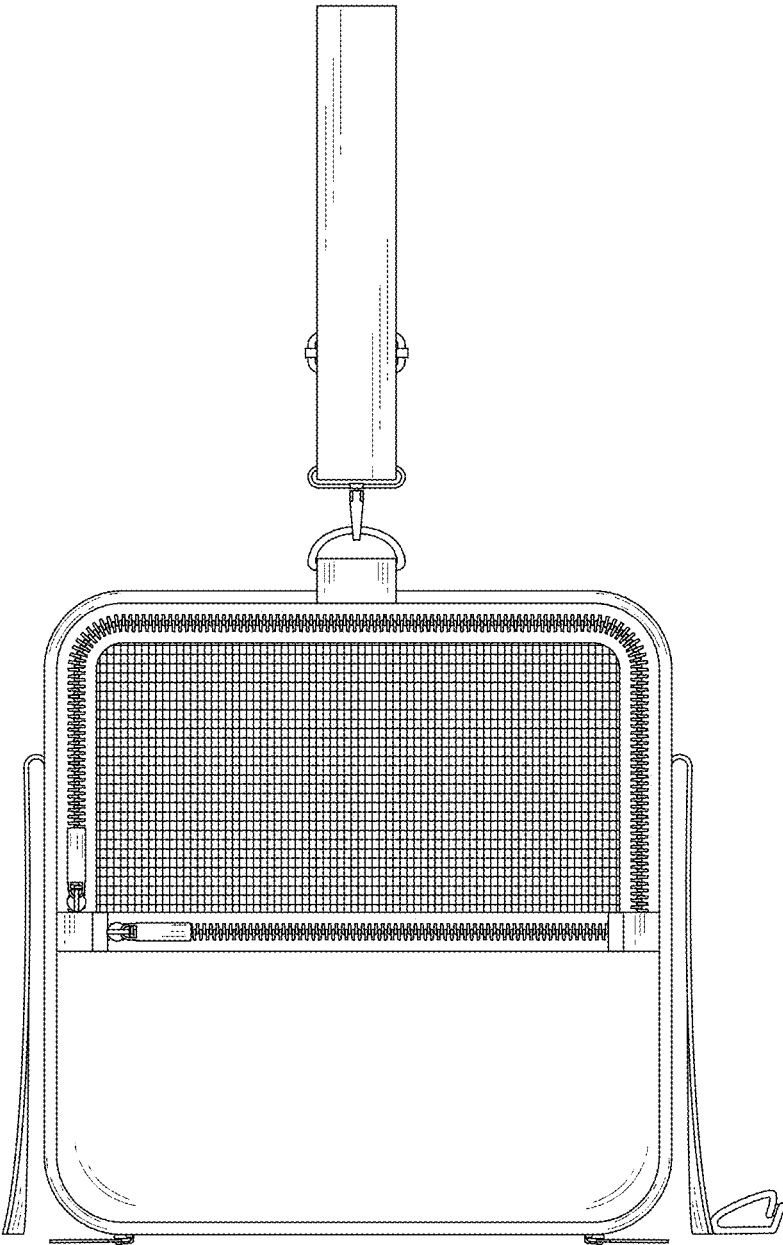


FIG. 3

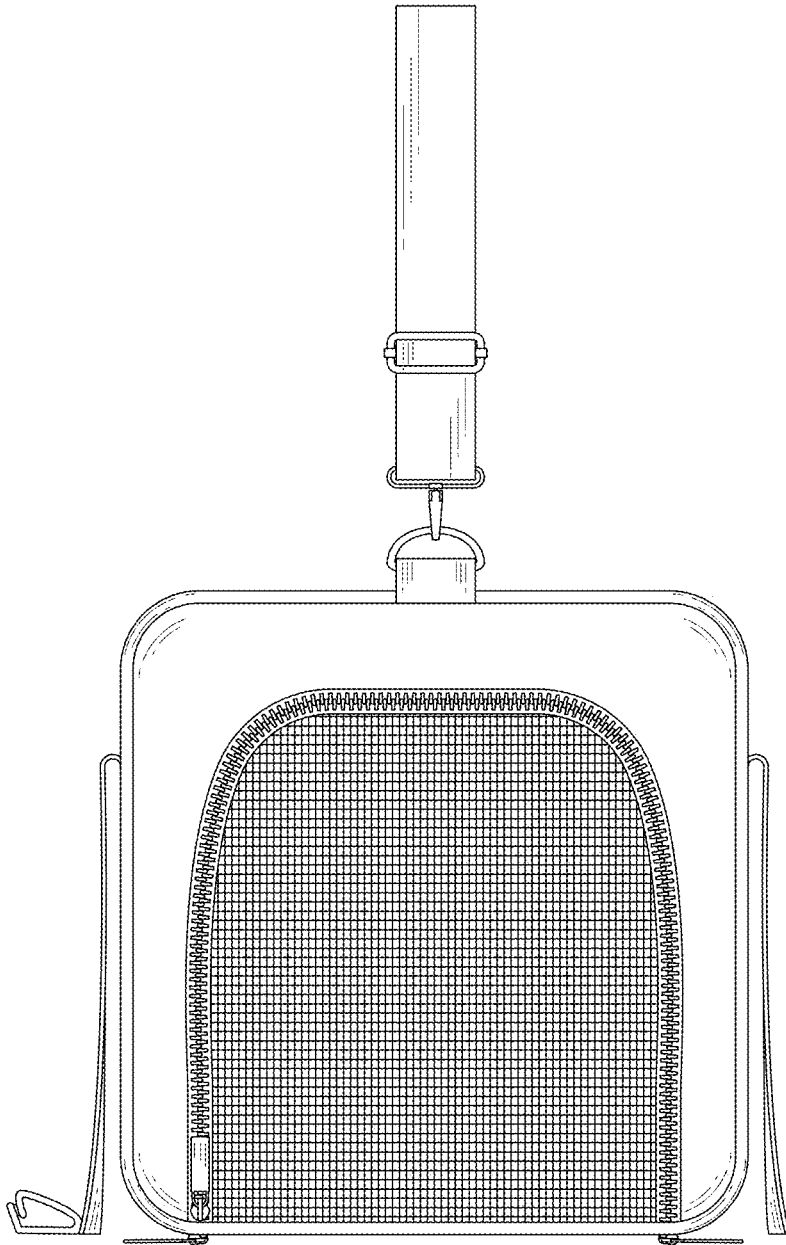


FIG. 4

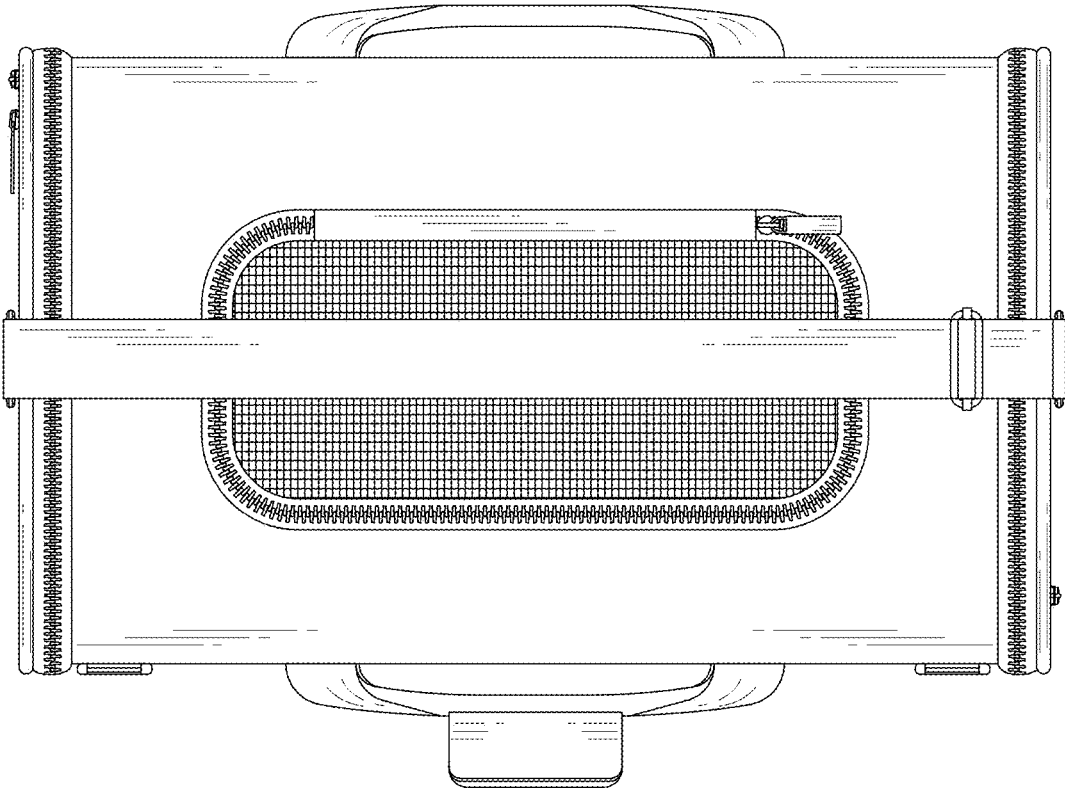


FIG. 5

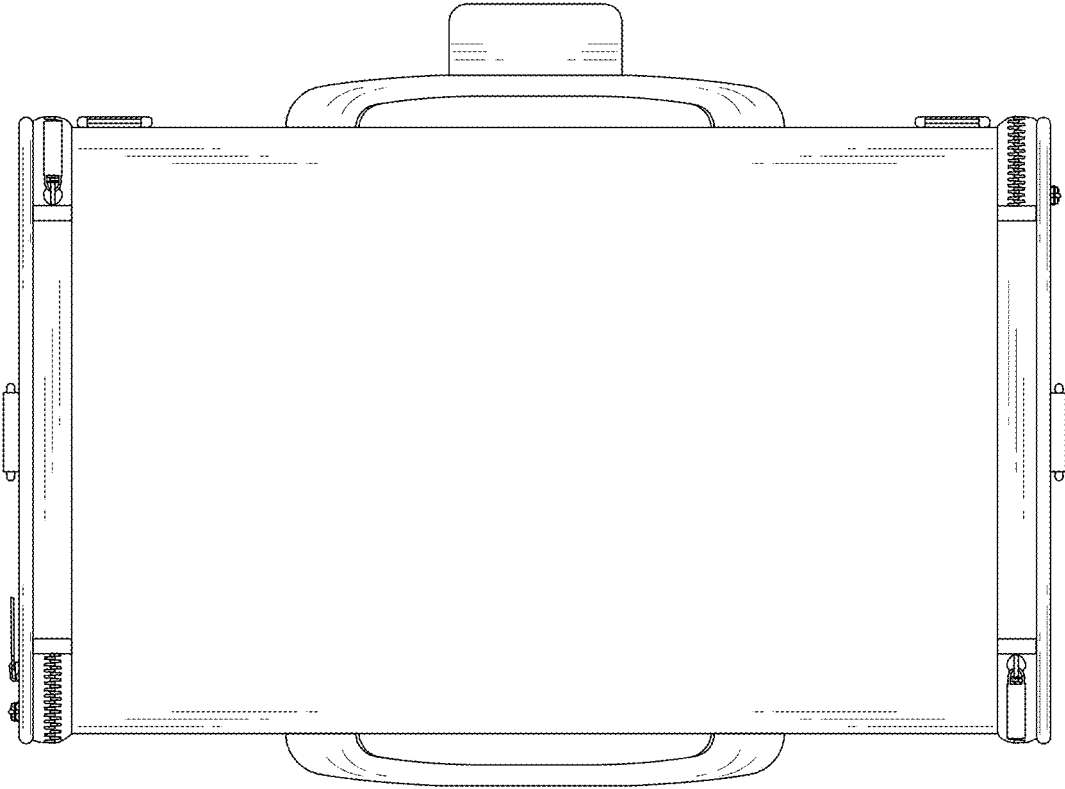


FIG. 6

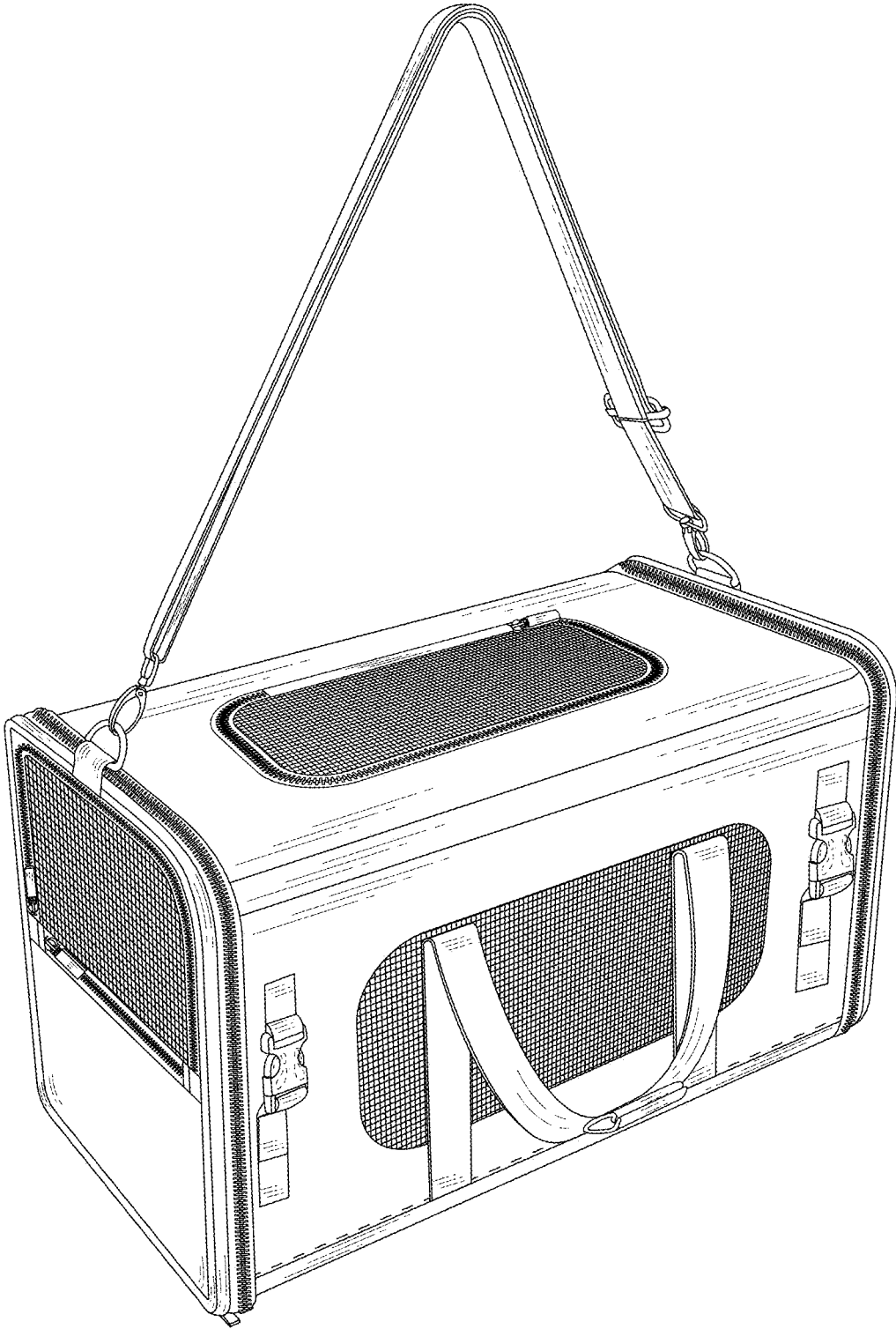


FIG. 7