



US00D742238S

(12) **United States Design Patent**  
**Llewellyn et al.**

(10) **Patent No.:** **US D742,238 S**

(45) **Date of Patent:** **\*\* \*Nov. 3, 2015**

(54) **BOTTLE**

(71) Applicant: **Robinsons Soft Drinks Limited**, Hemel Hempstead (GB)

(72) Inventors: **Tim Llewellyn**, London (GB); **Ines Sanchez-Calatrava**, London (GB)

(73) Assignee: **ROBINSONS SOFT DRINKS LIMITED**, Hemel Hempstead (GB)

(\* ) Notice: This patent is subject to a terminal disclaimer.

(\*\* ) Term: **14 Years**

(21) Appl. No.: **29/434,027**

(22) Filed: **Oct. 9, 2012**

(30) **Foreign Application Priority Data**

May 4, 2012 (EP) ..... 001325799

(51) **LOC (10) Cl.** ..... **09-01**

(52) **U.S. Cl.**  
USPC ..... **D9/538**; D9/551; D9/552; D9/557;  
D9/571

(58) **Field of Classification Search**

USPC ..... D9/516, 538, 539, 541, 551, 552, 558;  
D7/509, 510, 511; 215/382, 383, 384  
See application file for complete search history.

(56) **References Cited**

U.S. PATENT DOCUMENTS

- D379,154 S \* 5/1997 Cox ..... D9/540
- D417,156 S \* 11/1999 Veyssiere ..... D9/552
- D427,071 S \* 6/2000 Williams et al. .... D9/552 X
- D453,686 S \* 2/2002 Petursdottir ..... D9/570
- D466,415 S \* 12/2002 Reis ..... D9/552

- D506,142 S \* 6/2005 Gauthier ..... D9/565 X
- D506,931 S \* 7/2005 Delmotte ..... D9/538
- D515,427 S \* 2/2006 Schuller et al. .... D9/516
- D556,581 S \* 12/2007 Yamada ..... D9/557 X
- D558,582 S \* 1/2008 Venkataraman et al. .... D9/550
- D570,691 S \* 6/2008 Robbins et al. .... D9/516
- D573,029 S \* 7/2008 Venkataraman et al. .... D9/538
- D601,906 S \* 10/2009 Leruste ..... D9/570 X
- D611,816 S \* 3/2010 Bangi et al. .... D9/557 X
- D619,011 S \* 7/2010 Zoppas ..... D9/541
- D623,950 S \* 9/2010 Eugui et al. .... D9/516
- D637,909 S \* 5/2011 Fleischhacker et al. ... D9/539 X
- D644,930 S \* 9/2011 White et al. .... D9/552 X
- D682,700 S \* 5/2013 White et al. .... D9/538
- 8,469,214 B2 \* 6/2013 Boukobza ..... 215/375
- D699,580 S \* 2/2014 Eaton et al. .... D9/516
- 8,870,006 B2 \* 10/2014 Kamineni et al. .... 215/382
- D719,449 S \* 12/2014 Eaton et al. .... D9/516
- 8,905,253 B2 \* 12/2014 Mooney ..... 215/381
- 2007/0257003 A1 \* 11/2007 Colloud ..... 215/382

\* cited by examiner

*Primary Examiner* — Carol P Rademaker

(74) *Attorney, Agent, or Firm* — Jean C. Edwards, Esq.;  
Edwards Neils PLLC

(57) **CLAIM**

The ornamental design for a bottle, as shown and described.

**DESCRIPTION**

FIG. 1 is a perspective view of a bottle showing my new design;

FIG. 2 is a front elevational view thereof;

FIG. 3 is a rear elevational view thereof;

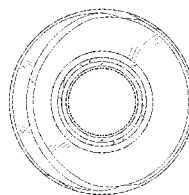
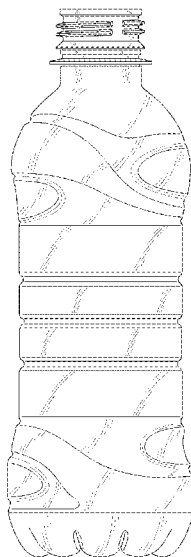
FIG. 4 is a left elevational view thereof;

FIG. 5 is a right elevational view thereof; and,

FIG. 6 is a top plan view thereof.

The dashed-dotted lines denote the boundary of the claim and form no part of the claimed design.

**1 Claim, 6 Drawing Sheets**



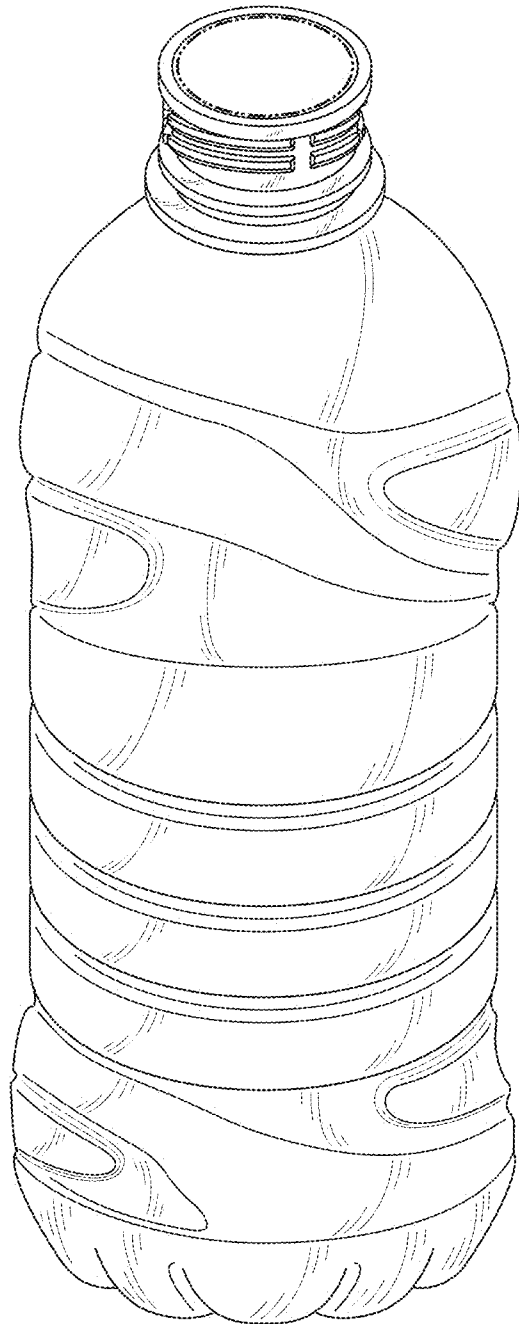


FIG. 1

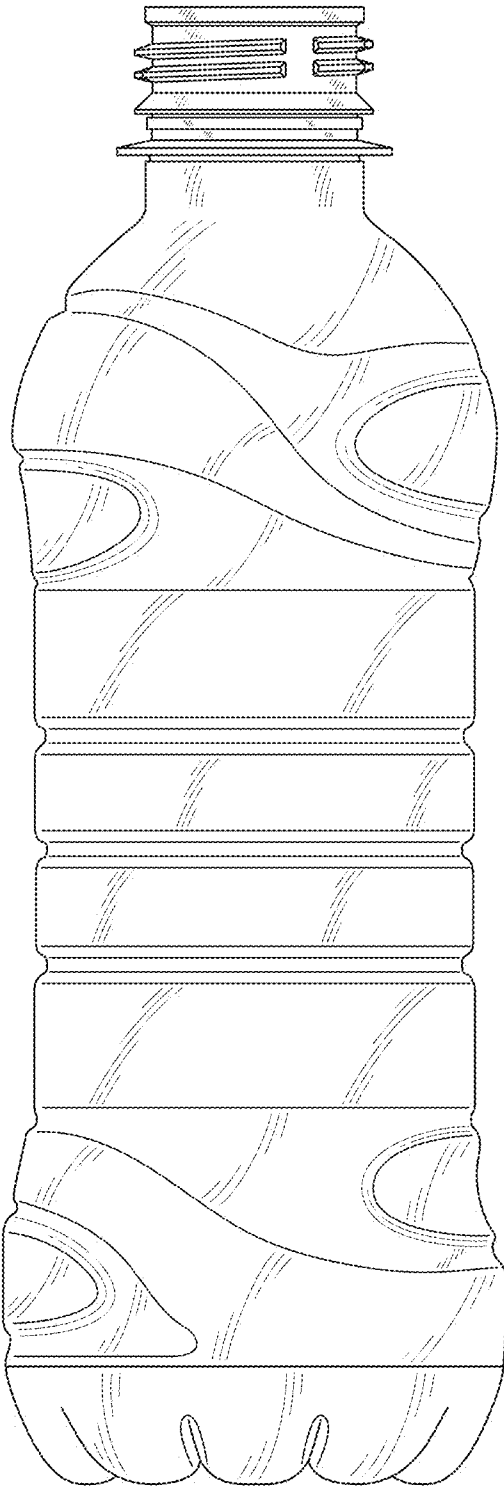


FIG. 2

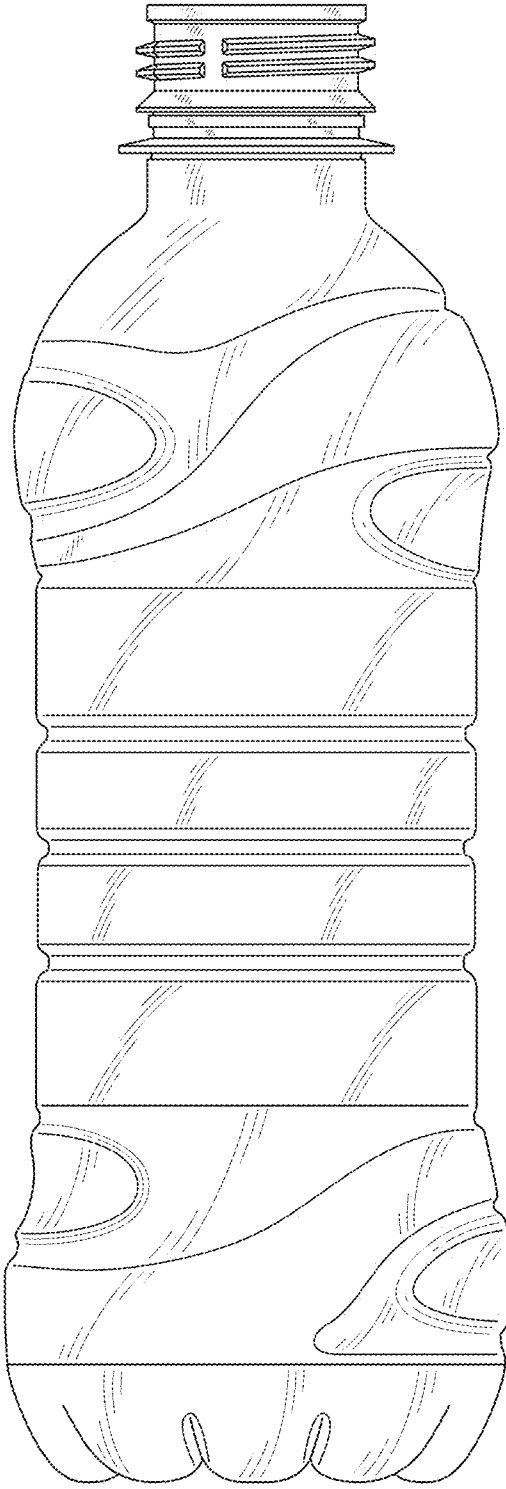


FIG. 3

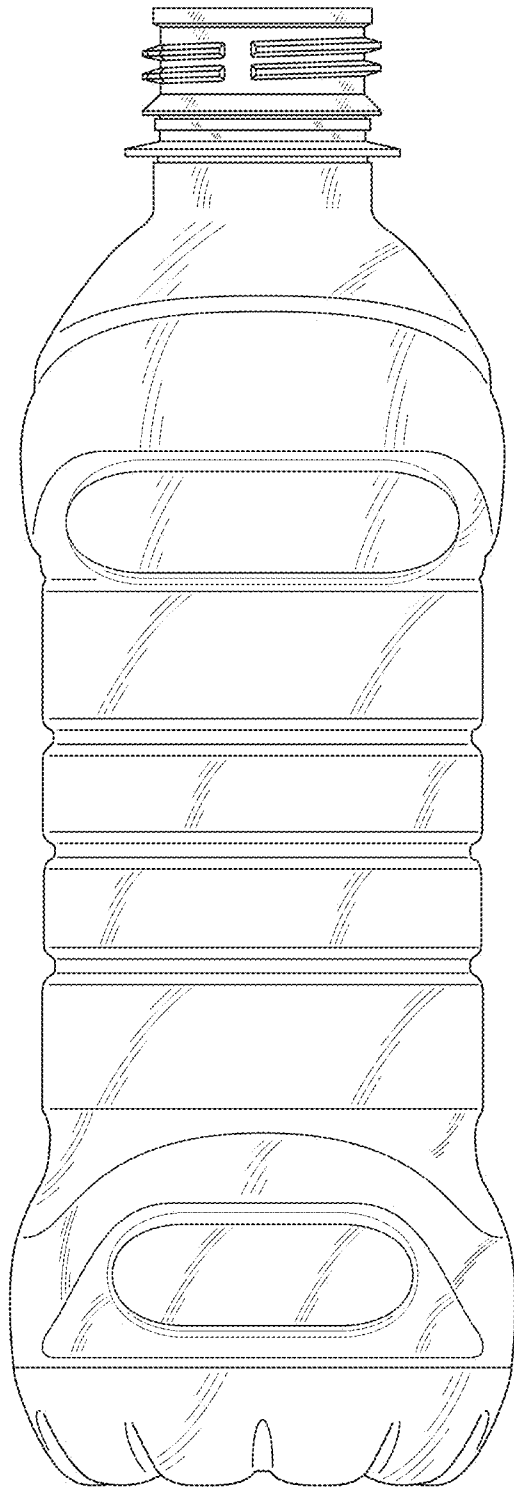


FIG. 4

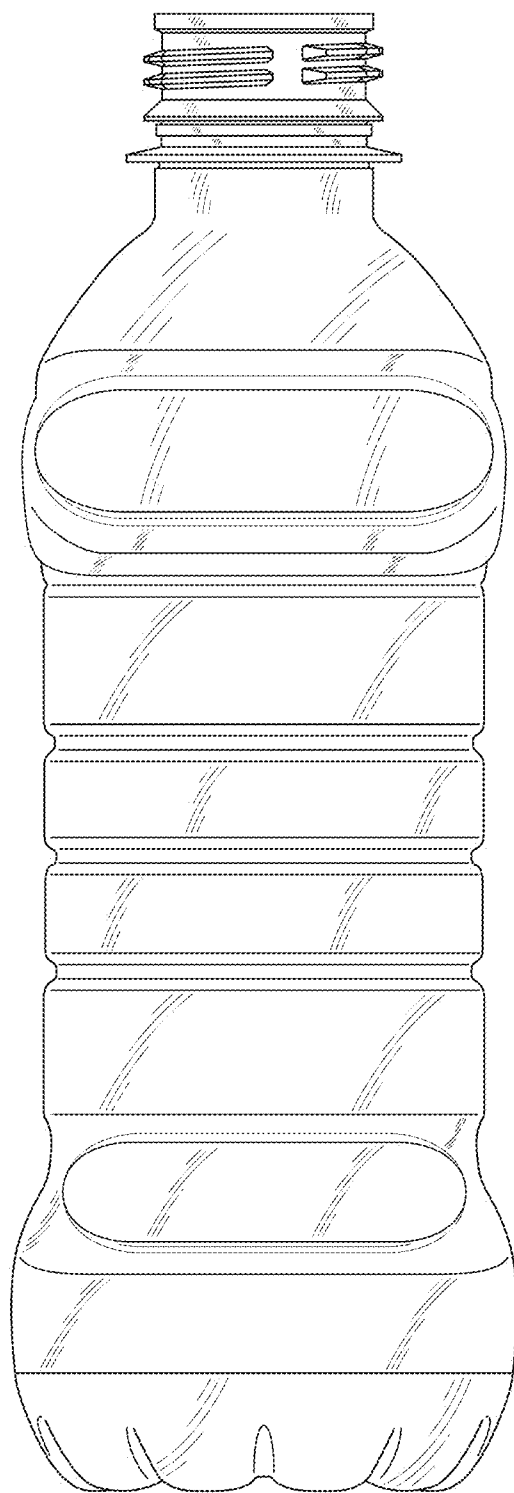


FIG. 5

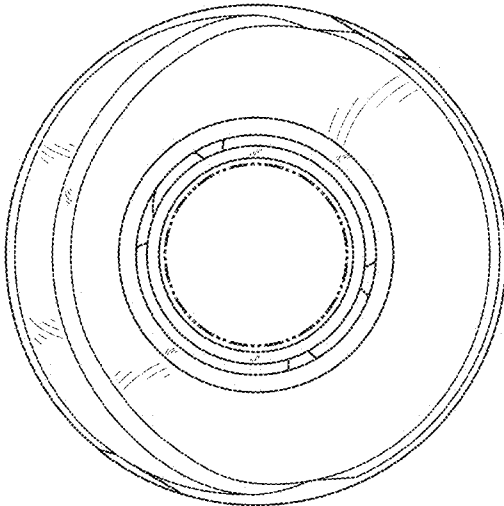


FIG. 6