

[54] FOOD PROCESSOR

4,371,118 2/1983 Sontheimer et al. .... 241/282.2 X  
4,506,836 3/1985 Williams ..... 241/92 X

[76] Inventor: Alfredo Cavalli, 9, Via G. Galilei,  
Pessano Con Bornago, Milan, Italy

Primary Examiner—Bernard Ansher  
Assistant Examiner—Linda Titolo  
Attorney, Agent, or Firm—Cohen, Pontani & Lieberman

[\*\*] Term: 14 Years

[21] Appl. No.: 568,594

[57] CLAIM

[22] Filed: Jan. 6, 1984

The ornamental design for a food processor, as shown and described.

[30] Foreign Application Priority Data

DESCRIPTION

Jul. 20, 1983 [IT] Italy ..... 22426/83[U]  
[52] U.S. Cl. .... D7/384  
[58] Field of Search ..... D7/384, 383, 368, 376,  
D7/377, 378, 381; 219/400; 241/92, 282.1,  
282.2

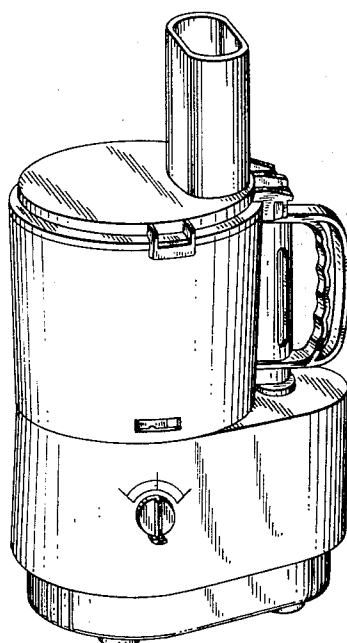
FIG. 1 is a top and left side perspective view of a food processor, showing my new design;  
FIG. 2 is a left side elevational view thereof, the right side being substantially a mirror image thereof omitting the selector switch shown in the lower portion of FIG. 2;

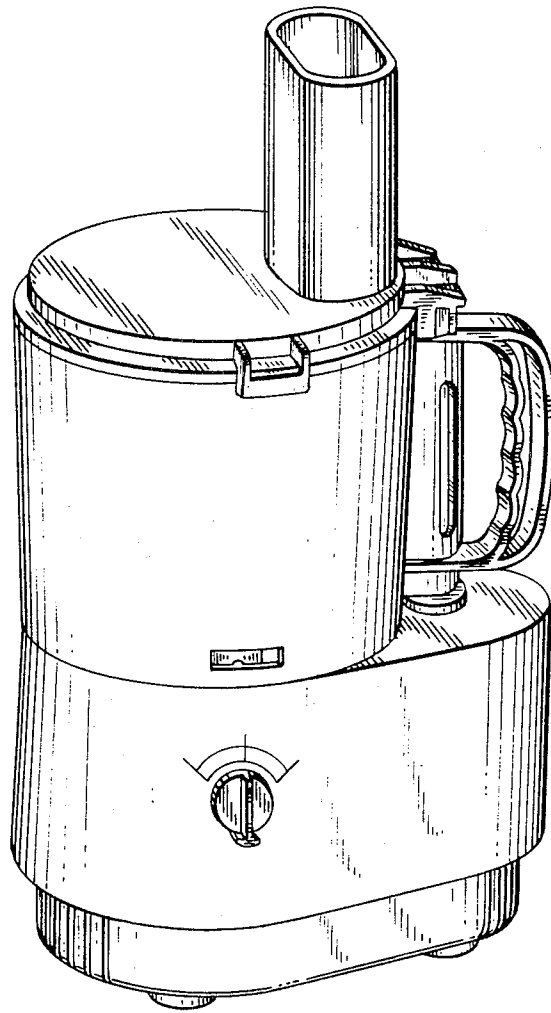
[56] References Cited

U.S. PATENT DOCUMENTS

D. 251,231 3/1979 Hashimoto ..... D7/384  
D. 251,407 3/1979 Tsuji et al. .... D7/384  
D. 254,161 2/1980 Verdun ..... 241/282.1 X  
3,892,365 7/1975 Verdun ..... 241/92  
4,111,372 9/1978 Hicks et al. .... 241/282.1 X  
4,213,570 7/1980 Jones ..... 241/282.1 X  
4,362,277 12/1982 Amiot ..... 241/282.2 X

FIG. 3 is a front elevational view thereof;  
FIG. 4 is a rear elevational view thereof;  
FIG. 5 is a top plan view thereof; and  
FIG. 6 is a bottom plan view thereof.  
The elevational view of the side of the food processor of the invention opposite that shown in FIG. 2 is a mirror image of the view shown in FIG. 2 except that the side not illustrated does not include the selector switch shown in the lower portion of the FIG. 2 view.





*FIG. 1*

FIG. 2

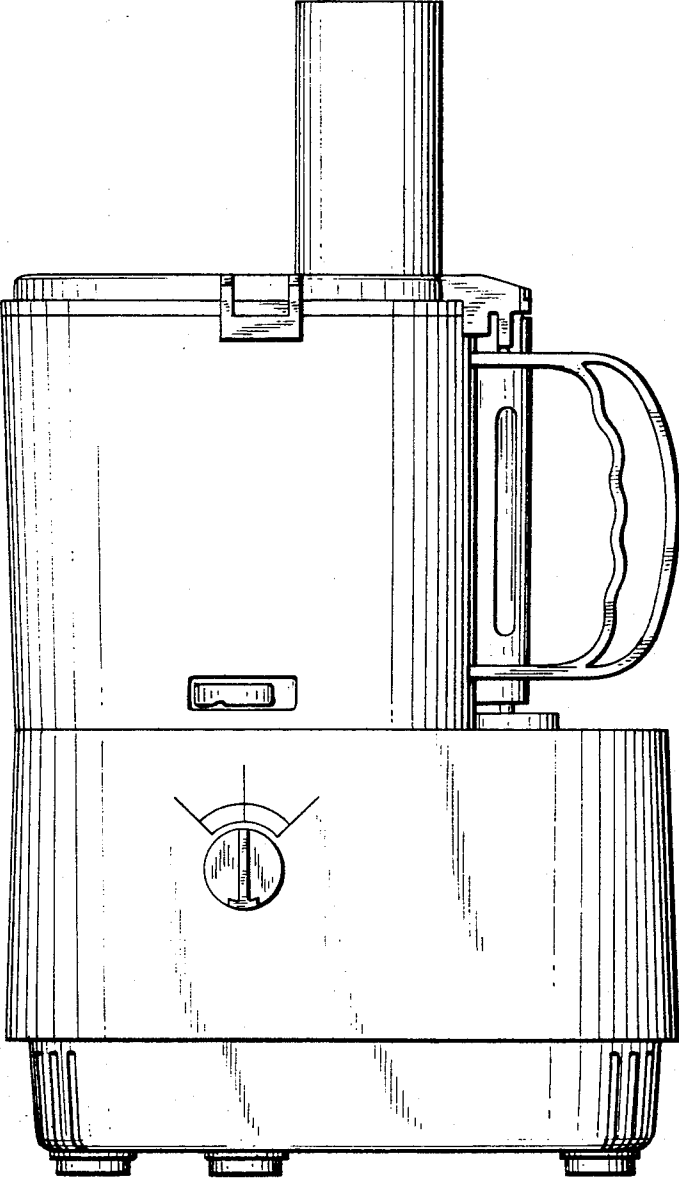


FIG. 3

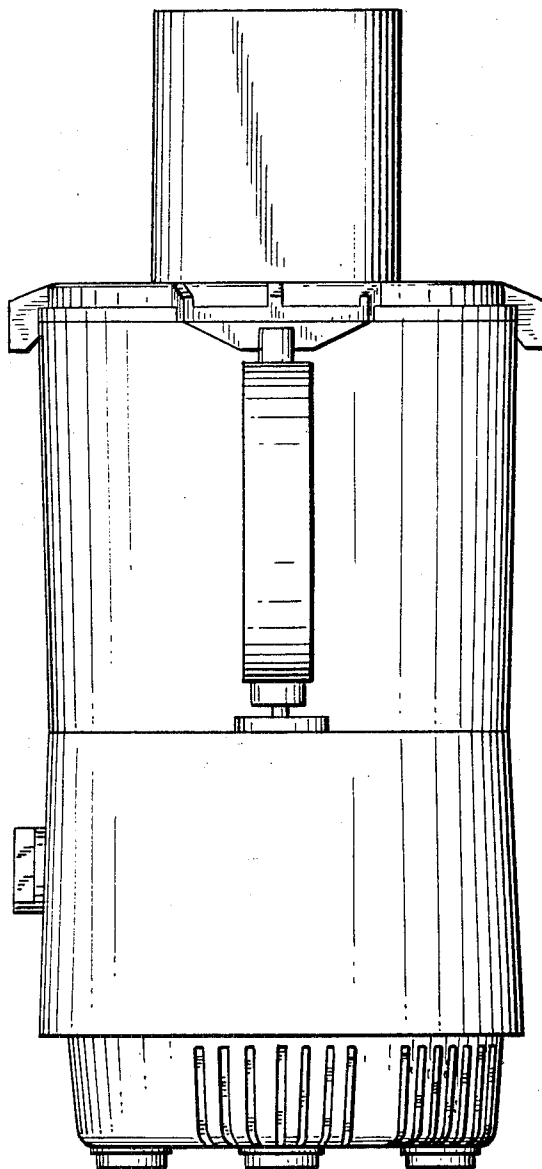


FIG. 4

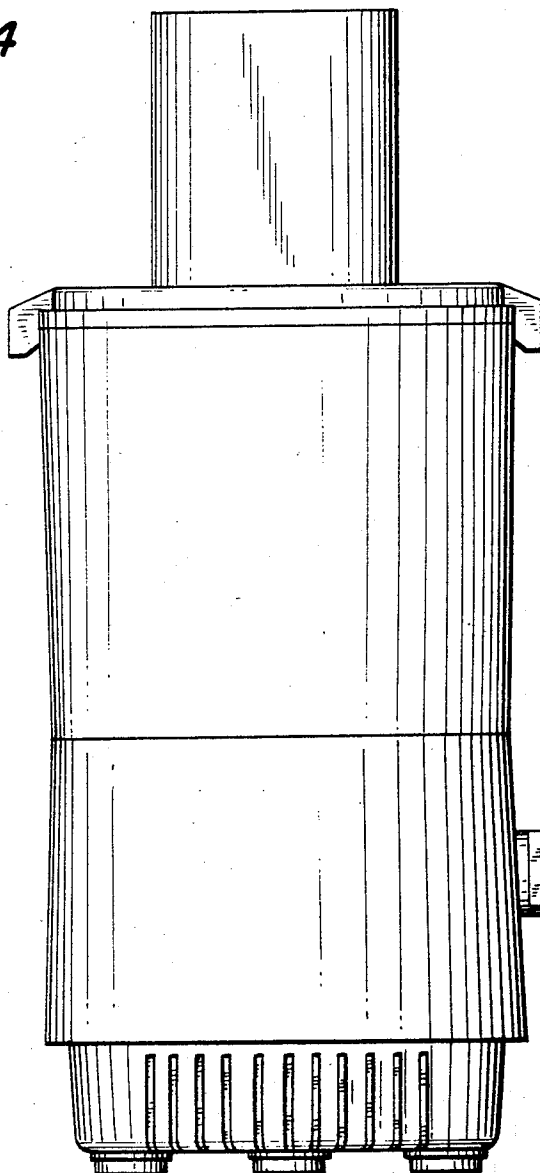


FIG. 5

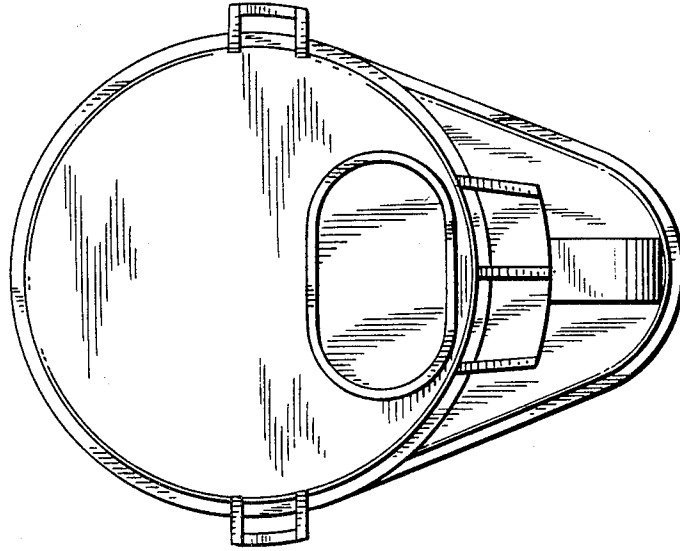


FIG. 6

