

(19) World Intellectual Property Organization
International Bureau



(43) International Publication Date
19 October 2006 (19.10.2006)

PCT

(10) International Publication Number
WO 2006/110572 A3

(51) International Patent Classification:
A61B 5/151 (2006.01)

(21) International Application Number:
PCT/US2006/013143

(22) International Filing Date: 7 April 2006 (07.04.2006)

(25) Filing Language: English

(26) Publication Language: English

(30) Priority Data:
60/669,248 7 April 2005 (07.04.2005) US

(71) Applicant (for all designated States except US): **BECTON, DICKINSON AND COMPANY** [US/US]; 1 Becton Drive, Franklin Lakes, New Jersey 07417 (US).

(72) Inventors; and

(75) Inventors/Applicants (for US only): **COLONNA, Robert** [US/US]; 15 Mechanic Street, Newton, Massachusetts 02464 (US). **TAYLOR, Todd** [US/US]; 260 Sidney Street #3, Cambridge, Massachusetts 02139 (US).

(74) Agents: **MILES, Kirk, M.** et al.; The Webb Law Firm, 700 Koppers Building, 436 Seventh Avenue, Pittsburgh, Pennsylvania 15219 (US).

(81) Designated States (unless otherwise indicated, for every kind of national protection available): AE, AG, AL, AM, AT, AU, AZ, BA, BB, BG, BR, BW, BY, BZ, CA, CH, CN, CO, CR, CU, CZ, DE, DK, DM, DZ, EC, EE, EG, ES, FI, GB, GD, GE, GH, GM, HR, HU, ID, IL, IN, IS, JP, KE, KG, KM, KN, KP, KR, KZ, LC, LK, LR, LS, LT, LU, LV, LY, MA, MD, MG, MK, MN, MW, MX, MZ, NA, NG, NI, NO, NZ, OM, PG, PH, PL, PT, RO, RU, SC, SD, SE, SG, SK, SL, SM, SY, TJ, TM, TN, TR, TT, TZ, UA, UG, US, UZ, VC, VN, YU, ZA, ZM, ZW.

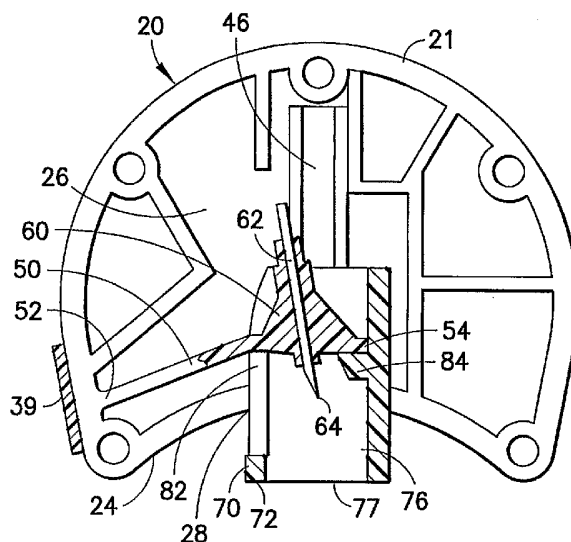
(84) Designated States (unless otherwise indicated, for every kind of regional protection available): ARIPO (BW, GH, GM, KE, LS, MW, MZ, NA, SD, SL, SZ, TZ, UG, ZM, ZW), Eurasian (AM, AZ, BY, KG, KZ, MD, RU, TJ, TM), European (AT, BE, BG, CH, CY, CZ, DE, DK, EE, ES, FI, FR, GB, GR, HU, IE, IS, IT, LT, LU, LV, MC, NL, PL, PT, RO, SE, SI, SK, TR), OAPI (BF, BJ, CF, CG, CI, CM, GA, GN, GQ, GW, ML, MR, NE, SN, TD, TG).

Published:
— with international search report

(88) Date of publication of the international search report:
30 November 2006

For two-letter codes and other abbreviations, refer to the "Guidance Notes on Codes and Abbreviations" appearing at the beginning of each regular issue of the PCT Gazette.

(54) Title: FINGER ACTIVATED LANCET DEVICE



(57) Abstract: A lancet device includes a housing with a cantilever spring extending therein and defining a lancet having a puncturing end on the cantilever spring. An actuator extends within the housing through an opening at the forward end. The actuator includes an interfering engagement with the cantilever spring. Movement of the actuator into the housing through the forward end pivots the cantilever spring against its relaxed condition and then releases the engagement with the cantilever spring, thereby permitting the cantilever spring to pivot the lancet structure to an extended position with the puncturing end extending through the forward opening, and to return to the relaxed condition retracting the puncturing end back within the housing.

WO 2006/110572 A3

INTERNATIONAL SEARCH REPORT

International application No
PCT/US2006/013143

A. CLASSIFICATION OF SUBJECT MATTER INV. A61B5/151				
According to International Patent Classification (IPC) or to both national classification and IPC				
B. FIELDS SEARCHED				
Minimum documentation searched (classification system followed by classification symbols) A61B				
Documentation searched other than minimum documentation to the extent that such documents are included in the fields searched				
Electronic data base consulted during the international search (name of data base and, where practical, search terms used) EPO-Internal, WPI Data, PAJ				
C. DOCUMENTS CONSIDERED TO BE RELEVANT				
Category*	Citation of document, with indication, where appropriate, of the relevant passages	Relevant to claim No.		
X	US 4 715 374 A (MAGGIO ET AL) 29 December 1987 (1987-12-29) column 1, line 6 - column 5, line 25; figures 3,5	1-26		
A	US 5 314 441 A (CUSACK ET AL) 24 May 1994 (1994-05-24) column 3, line 16 - line 68; figures 1-9 column 7, line 67 - column 11, line 5	1-26		
A	WO 03/049613 A (SHIN, BAG, SIG) 19 June 2003 (2003-06-19) page 2, paragraph 3 - page 3, paragraph 1; figures 1-4 page 7, paragraph 5 - page 9, paragraph 1 ----- -/--	1, 4-10, 14, 15, 17-20, 23-26		
<input checked="" type="checkbox"/> Further documents are listed in the continuation of Box C.				
<input checked="" type="checkbox"/> See patent family annex.				
* Special categories of cited documents :				
<table style="width: 100%; border: none;"> <tr> <td style="width: 50%; border: none; vertical-align: top;"> *A* document defining the general state of the art which is not considered to be of particular relevance *E* earlier document but published on or after the international filing date *L* document which may throw doubts on priority claim(s) or which is cited to establish the publication date of another citation or other special reason (as specified) *O* document referring to an oral disclosure, use, exhibition or other means *P* document published prior to the international filing date but later than the priority date claimed </td> <td style="width: 50%; border: none; vertical-align: top;"> *T* later document published after the international filing date or priority date and not in conflict with the application but cited to understand the principle or theory underlying the invention *X* document of particular relevance; the claimed invention cannot be considered novel or cannot be considered to involve an inventive step when the document is taken alone *Y* document of particular relevance; the claimed invention cannot be considered to involve an inventive step when the document is combined with one or more other such documents, such combination being obvious to a person skilled in the art. *&* document member of the same patent family </td> </tr> </table>			*A* document defining the general state of the art which is not considered to be of particular relevance *E* earlier document but published on or after the international filing date *L* document which may throw doubts on priority claim(s) or which is cited to establish the publication date of another citation or other special reason (as specified) *O* document referring to an oral disclosure, use, exhibition or other means *P* document published prior to the international filing date but later than the priority date claimed	*T* later document published after the international filing date or priority date and not in conflict with the application but cited to understand the principle or theory underlying the invention *X* document of particular relevance; the claimed invention cannot be considered novel or cannot be considered to involve an inventive step when the document is taken alone *Y* document of particular relevance; the claimed invention cannot be considered to involve an inventive step when the document is combined with one or more other such documents, such combination being obvious to a person skilled in the art. *&* document member of the same patent family
A document defining the general state of the art which is not considered to be of particular relevance *E* earlier document but published on or after the international filing date *L* document which may throw doubts on priority claim(s) or which is cited to establish the publication date of another citation or other special reason (as specified) *O* document referring to an oral disclosure, use, exhibition or other means *P* document published prior to the international filing date but later than the priority date claimed	*T* later document published after the international filing date or priority date and not in conflict with the application but cited to understand the principle or theory underlying the invention *X* document of particular relevance; the claimed invention cannot be considered novel or cannot be considered to involve an inventive step when the document is taken alone *Y* document of particular relevance; the claimed invention cannot be considered to involve an inventive step when the document is combined with one or more other such documents, such combination being obvious to a person skilled in the art. *&* document member of the same patent family			
Date of the actual completion of the international search <p style="text-align: center;">1 September 2006</p>	Date of mailing of the international search report <p style="text-align: center;">11/09/2006</p>			
Name and mailing address of the ISA/ European Patent Office, P.B. 5818 Patentlaan 2 NL - 2280 HV Rijswijk Tel. (+31-70) 340-2040, Tx. 31 651 epo nl, Fax: (+31-70) 340-3016	Authorized officer <p style="text-align: center;">Neef, T</p>			

INTERNATIONAL SEARCH REPORT

International application No
PCT/US2006/013143

C(Continuation). DOCUMENTS CONSIDERED TO BE RELEVANT		
Category*	Citation of document, with indication, where appropriate, of the relevant passages	Relevant to claim No.
A	US 4 844 095 A (CHIODO ET AL) 4 July 1989 (1989-07-04) column 1, line 5 - line 58; figures 4,5,11-13 column 8, line 36 - column 11, line 14 -----	1-26
A	US 5 366 470 A (RAMEL ET AL) 22 November 1994 (1994-11-22) column 1, line 36 - column 4, line 64; figures 1-9 -----	1,4-10, 14,15, 17-20, 23-26
A	US 2003/130597 A1 (MARSHALL JEREMY) 10 July 2003 (2003-07-10) paragraph [0002] - paragraph [0030]; figures 1-6 -----	1,10,26
A	GB 2 352 403 A (* OWEN MUMFORD LIMITED) 31 January 2001 (2001-01-31) page 1, line 23 - page 2, line 26; figures 1-3 -----	1,10,26

INTERNATIONAL SEARCH REPORT

Information on patent family members

International application No PCT/US2006/013143

Patent document cited in search report	A	Publication date	Patent family member(s)	Publication date
US 4715374	A	29-12-1987	NONE	
US 5314441	A	24-05-1994	NONE	
WO 03049613	A	19-06-2003	KR 2003042393 A	28-05-2003
US 4844095	A	04-07-1989	AU 2535088 A CA 1316429 C WO 8905610 A1	19-07-1989 20-04-1993 29-06-1989
US 5366470	A	22-11-1994	AT 179876 T AU 668533 B2 AU 3063392 A CA 2123400 A1 DE 69229180 D1 DE 69229180 T2 EP 0612227 A1 JP 7500995 T WO 9309723 A1	15-05-1999 09-05-1996 15-06-1993 27-05-1993 17-06-1999 14-10-1999 31-08-1994 02-02-1995 27-05-1993
US 2003130597	A1	10-07-2003	EP 1339322 A2 WO 0243591 A2 JP 2004514496 T	03-09-2003 06-06-2002 20-05-2004
GB 2352403	A	31-01-2001	NONE	