



US00D477976S

(12) **United States Design Patent**
Liu

(10) **Patent No.:** **US D477,976 S**

(45) **Date of Patent:** **** Aug. 5, 2003**

(54) **PNEUMATIC STAPLER**

(75) **Inventor:** **An-Ji Liu, Taichung (TW)**

(73) **Assignee:** **Basso Industry Corp., Taichung (TW)**

(**) **Term:** **14 Years**

(21) **Appl. No.:** **29/171,124**

(22) **Filed:** **Nov. 18, 2002**

(51) **LOC (7) Cl. 08-05**

(52) **U.S. Cl. D8/68; D8/69**

(58) **Field of Search D8/61, 62, 63, D8/64, 65, 66, 67, 68, 69, 70, 57.11, 429, 464, 465, 466, 469, 489; 173/13, 169, 178, 213, 217; 227/8, 114, 120, 130, 136, 142; 310/50; 408/20, 124, 125, 234, 241 R; 451/358**

(56) **References Cited**

U.S. PATENT DOCUMENTS

D332,561 S	*	1/1993	Fushiya et al.	D8/69
D338,606 S	*	8/1993	Oda	D8/69
5,720,422 A	*	2/1998	Ichikawa et al.	227/120
5,816,469 A	*	10/1998	Ohuchi	227/120
D416,182 S	*	11/1999	Kaiser et al.	D8/69
6,036,072 A	*	3/2000	Lee	227/120
D435,206 S	*	12/2000	Etter et al.	D8/68

D435,770 S	*	1/2001	Arai	D8/68
6,186,386 B1	*	2/2001	Canlas et al.	227/8
6,199,739 B1	*	3/2001	Mukoyama et al.	227/120
D447,031 S	*	8/2001	Oh	D8/63
6,371,348 B1	*	4/2002	Canlas et al.	227/8
D458,525 S	*	6/2002	Buck	D8/68
D461,694 S	*	8/2002	Buck	D8/68
6,494,355 B2	*	12/2002	Adachi et al.	227/120

* cited by examiner

Primary Examiner—Doris V. Coles

Assistant Examiner—T. Chase Nelson

(74) *Attorney, Agent, or Firm*—Charles E. Baxley

(57) **CLAIM**

The ornamental design for a pneumatic stapler, as shown and described.

DESCRIPTION

FIG. 1 is a perspective view of a pneumatic stapler showing my new design;

FIG. 2 is a front elevational view thereof;

FIG. 3 is a rear elevational view thereof,

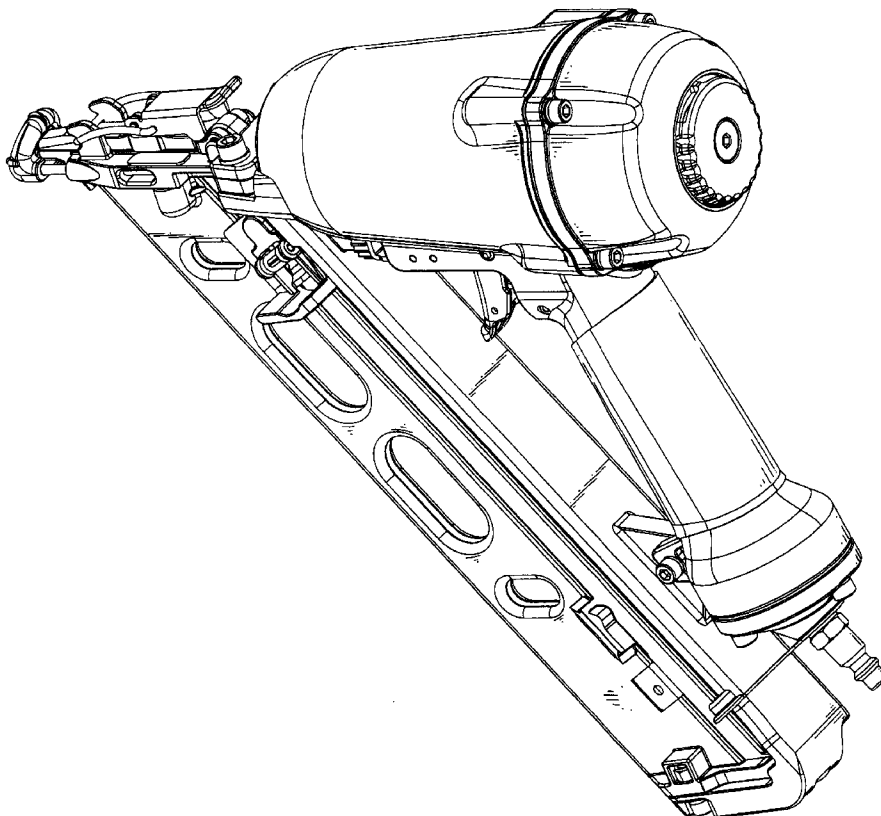
FIG. 4 is a left side elevational view thereof,

FIG. 5 is a right side elevational view thereof,

FIG. 6 is a top plan view thereof; and,

FIG. 7 is a bottom plan view to that shown.

1 Claim, 7 Drawing Sheets



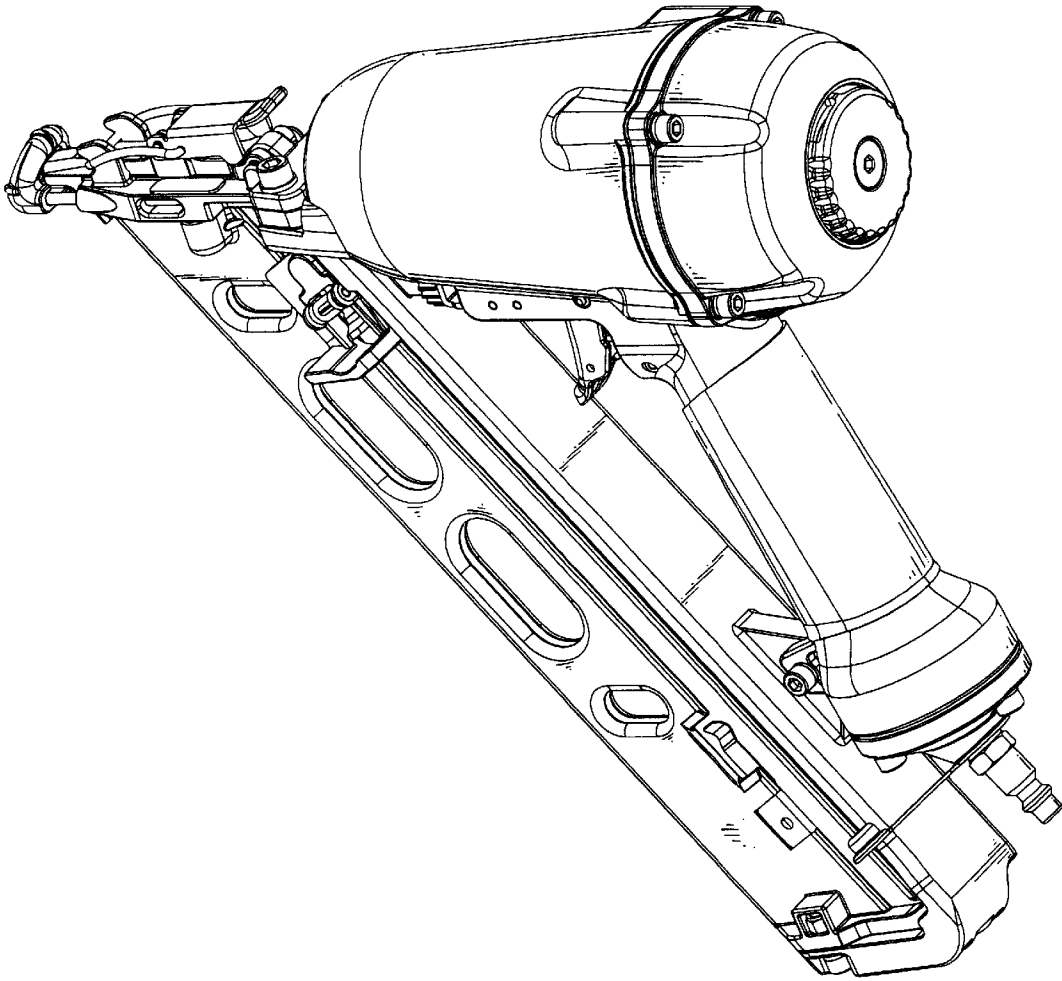


FIG. 1

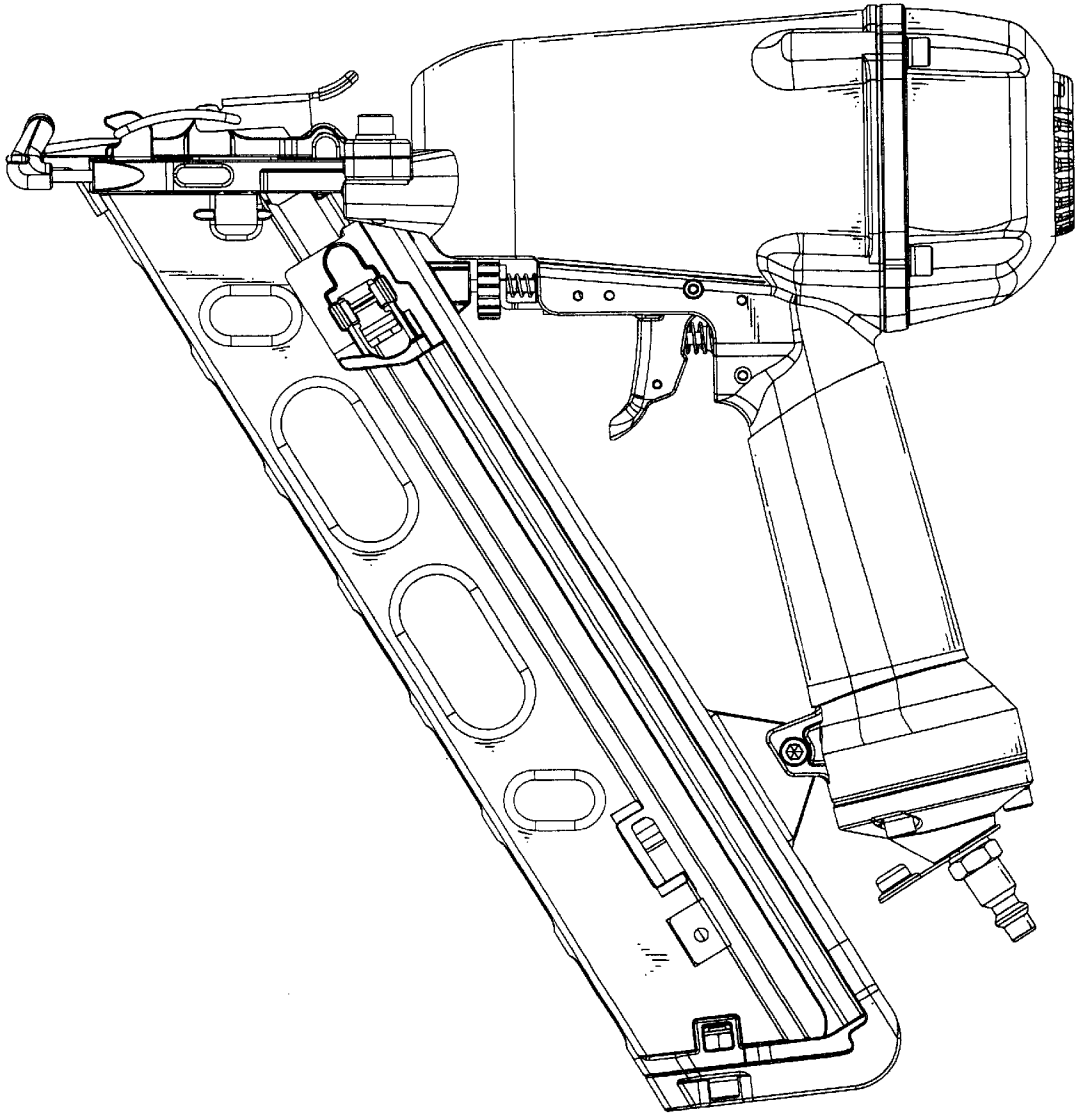


FIG. 2

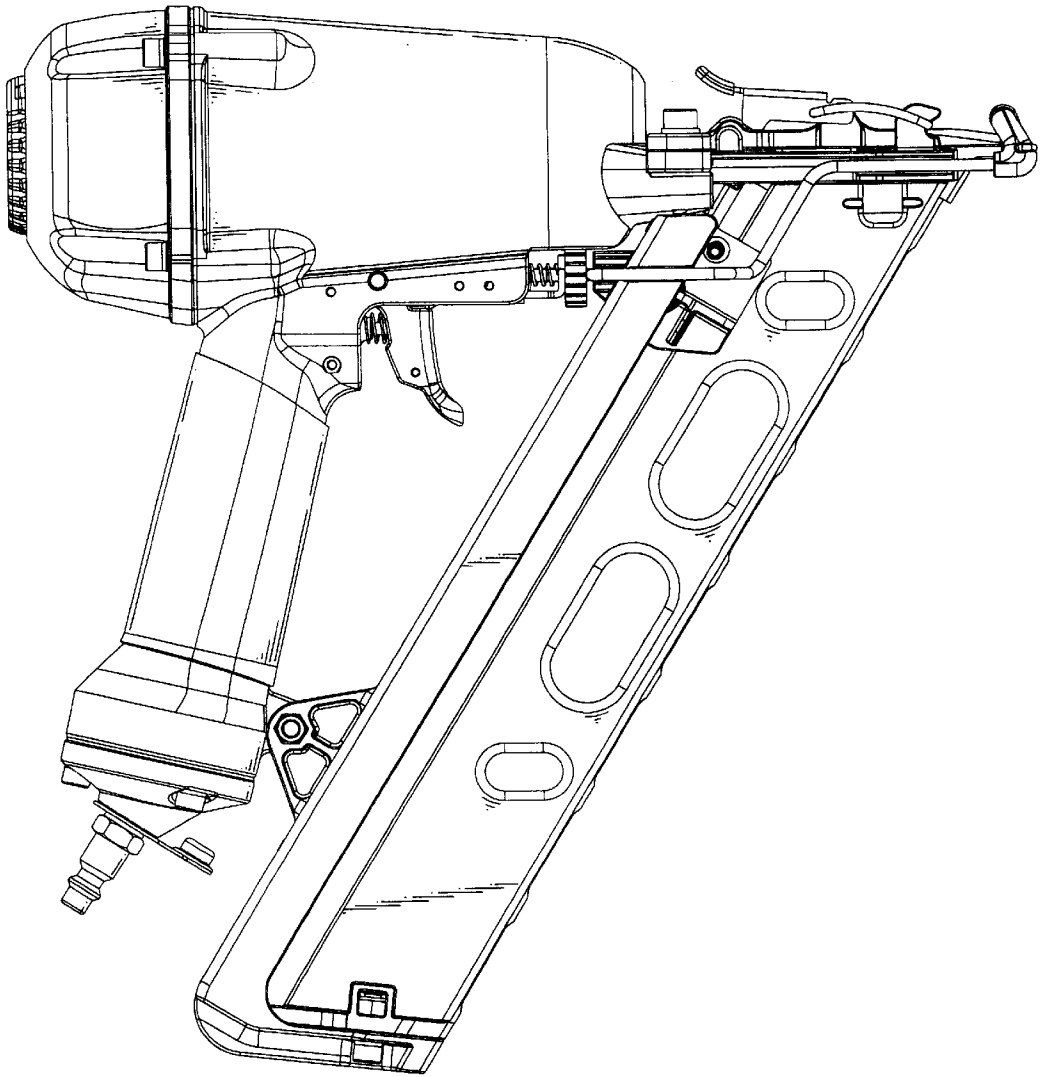


FIG. 3

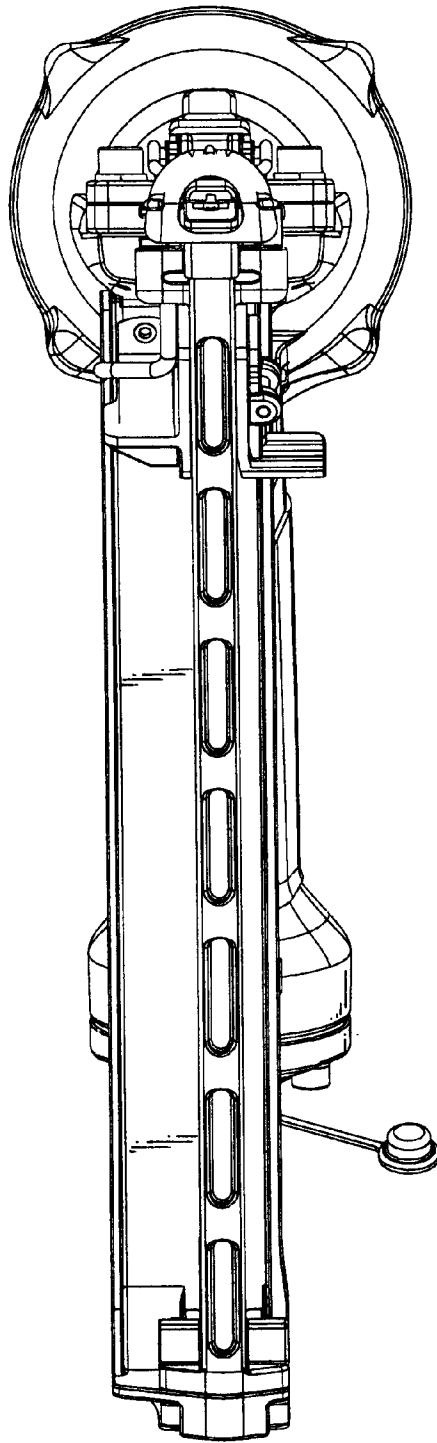


FIG. 4

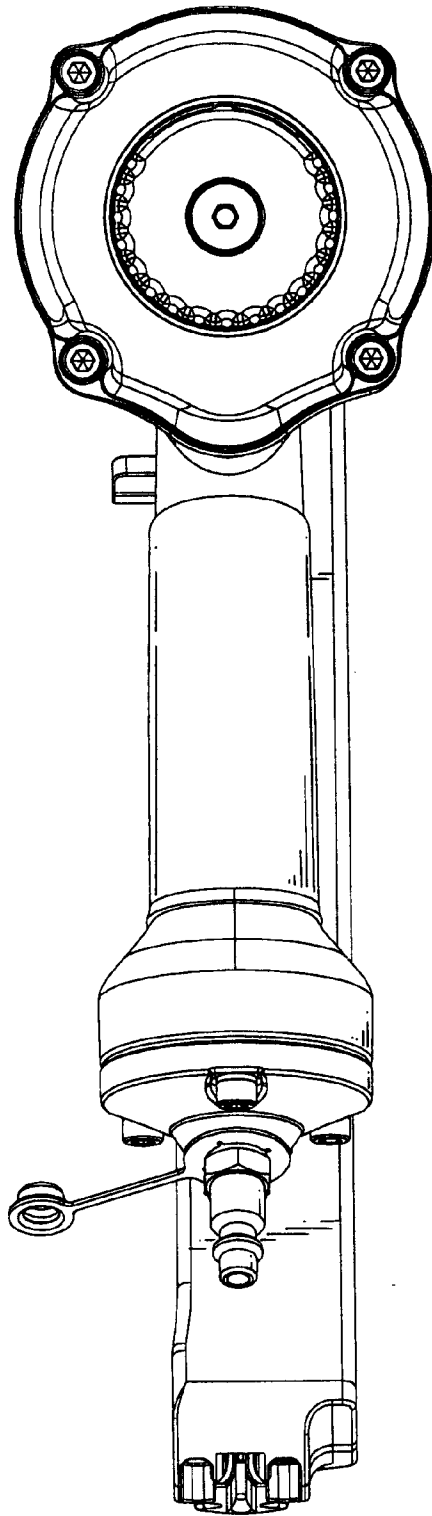


FIG. 5

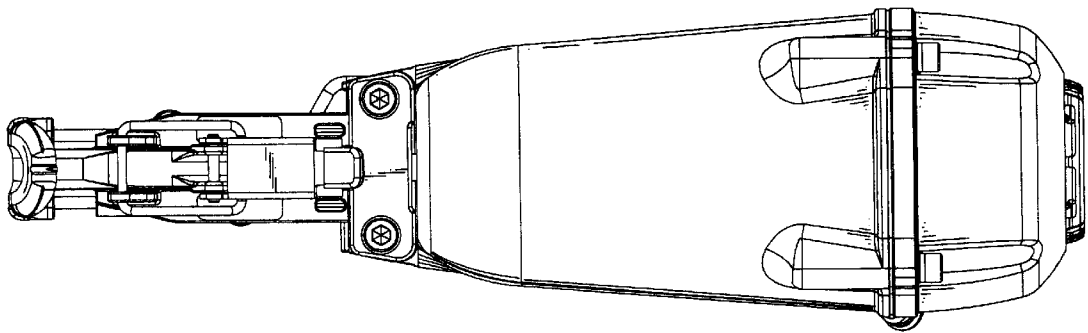


FIG. 6

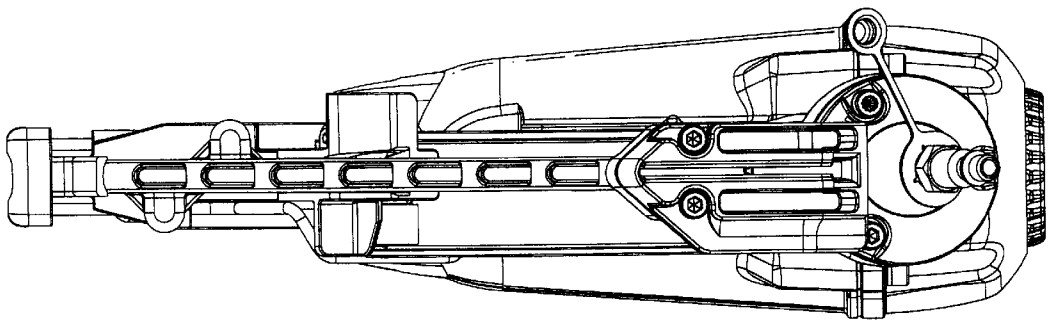


FIG. 7