



US00D409562S

United States Patent [19]

[11] Patent Number: **Des. 409,562**

Johansson et al.

[45] Date of Patent: **** May 11, 1999**

[54] **BATTERY**

[75] Inventors: **Panu Johansson**, Tampere, Finland;
Marc Tappeiner, Santa Barbara;
Sheldon Phillips, Agoura, both of Calif.

[73] Assignee: **Nokia Mobile Phones Limited**, Espoo, Finland

[**] Term: **14 Years**

[21] Appl. No.: **29/084,282**

[22] Filed: **Feb. 27, 1998**

[51] **LOC (6) Cl.** **13-02**

[52] **U.S. Cl.** **D13/103**

[58] **Field of Search** D13/103; 429/96-100,
429/167, 176

D. 361,309	8/1995	White	D13/103
D. 374,424	10/1996	Nagele et al.	D13/103
D. 375,932	11/1996	Nagele et al.	D13/103
D. 376,127	12/1996	Nagele et al.	D13/103
D. 384,939	10/1997	Liebler	D13/103
D. 387,727	12/1997	Settsu et al.	D13/103
D. 388,763	1/1998	Nuovo et al.	D13/103
D. 389,116	1/1998	Nuovo et al.	D13/103
D. 389,117	1/1998	Nuovo et al.	D13/103
D. 389,118	1/1998	Nuovo et al.	D13/103
D. 389,119	1/1998	Nuovo et al.	D13/103

Primary Examiner—Joel Sincavage
Attorney, Agent, or Firm—Perman & Green, LLP

[57] CLAIM

The ornamental design of a “battery,” as shown and described.

DESCRIPTION

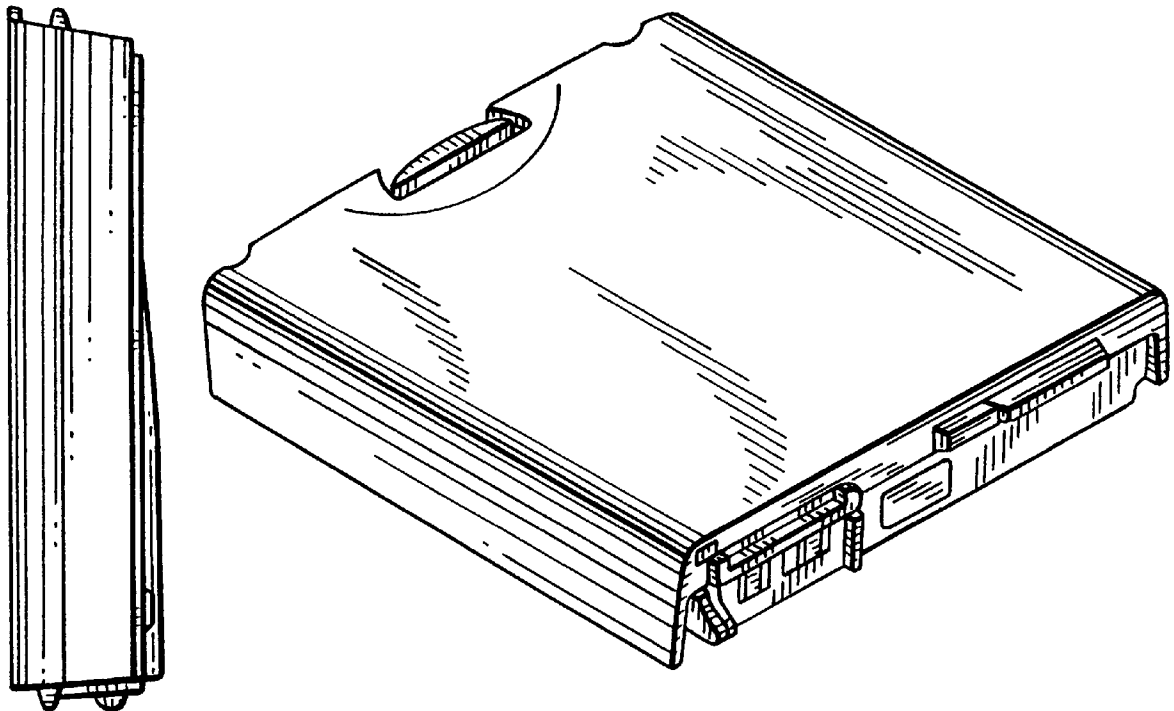
FIG. 1 is a bottom plan view of a battery, showing our new design;
FIG. 2 is a left side elevational view thereof;
FIG. 3 is a front elevational view thereof;
FIG. 4 is a right side elevational view thereof;
FIG. 5 is a top, rear, left side perspective view thereof;
FIG. 6 is a top plan view thereof;
FIG. 7 is a rear elevational view thereof; and,
FIG. 8 is a bottom, front and left side perspective view thereof.

1 Claim, 3 Drawing Sheets

[56] References Cited

U.S. PATENT DOCUMENTS

D. 321,183	10/1991	Powell et al.	D14/138
D. 328,733	8/1992	Seymour	D13/103
D. 331,566	12/1992	Seymour	D13/103
D. 346,580	5/1994	Tattari	D13/103
D. 346,581	5/1994	Tattari	D13/103
D. 349,882	8/1994	Johnson	D13/103
D. 350,110	8/1994	Johnson	D13/103
D. 357,896	5/1995	Berry	D13/103
D. 358,127	5/1995	Berry	D13/103
D. 358,128	5/1995	Berry et al.	D13/103
D. 359,267	6/1995	Berry et al.	D13/103



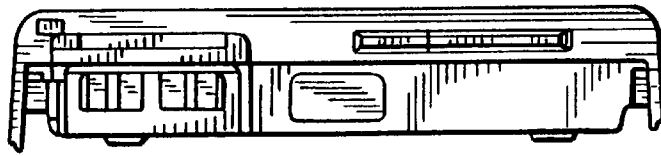


FIG. 1



FIG. 2

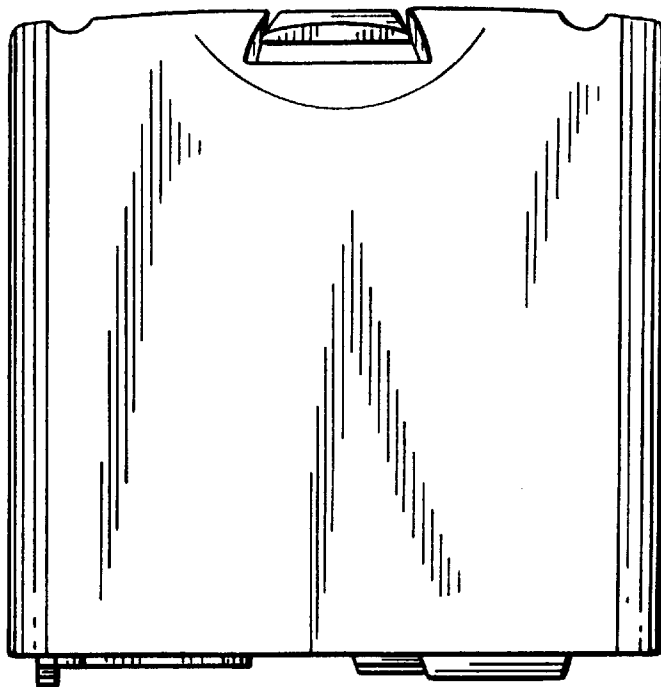


FIG. 3



FIG. 4

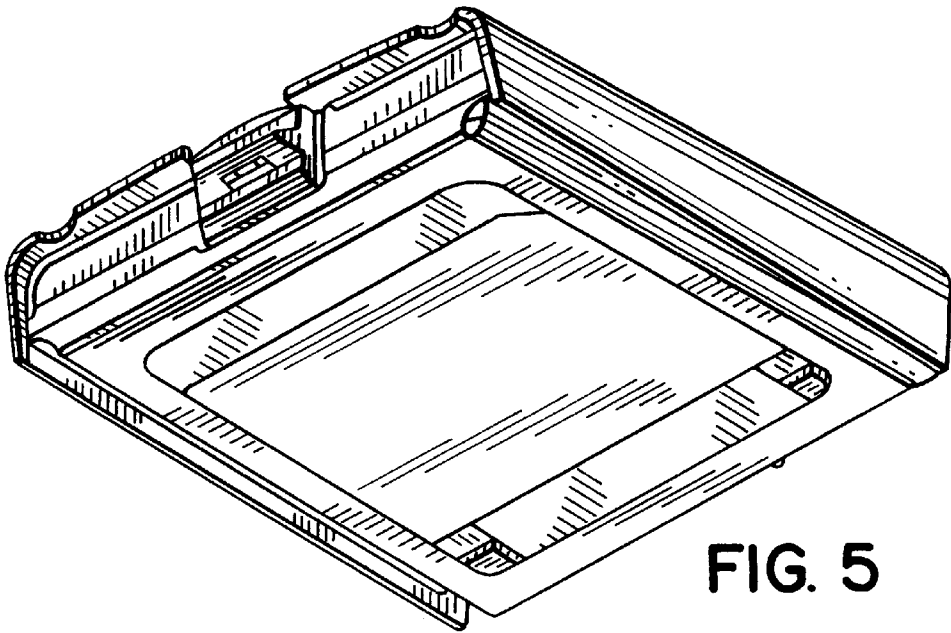


FIG. 5

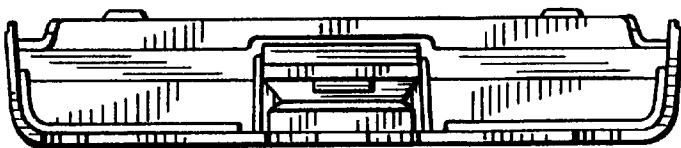


FIG. 6

FIG. 7

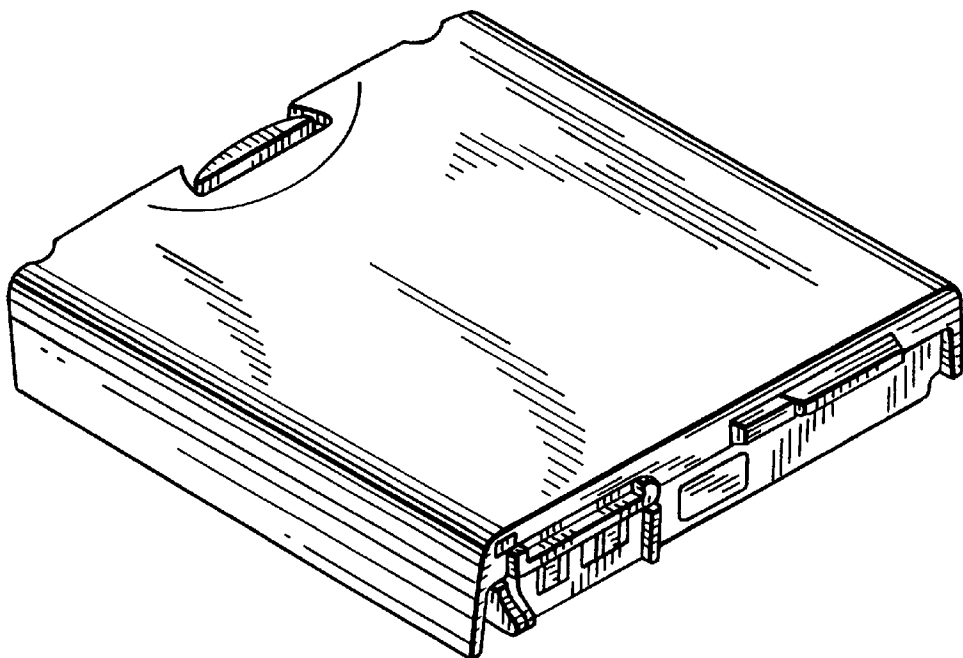
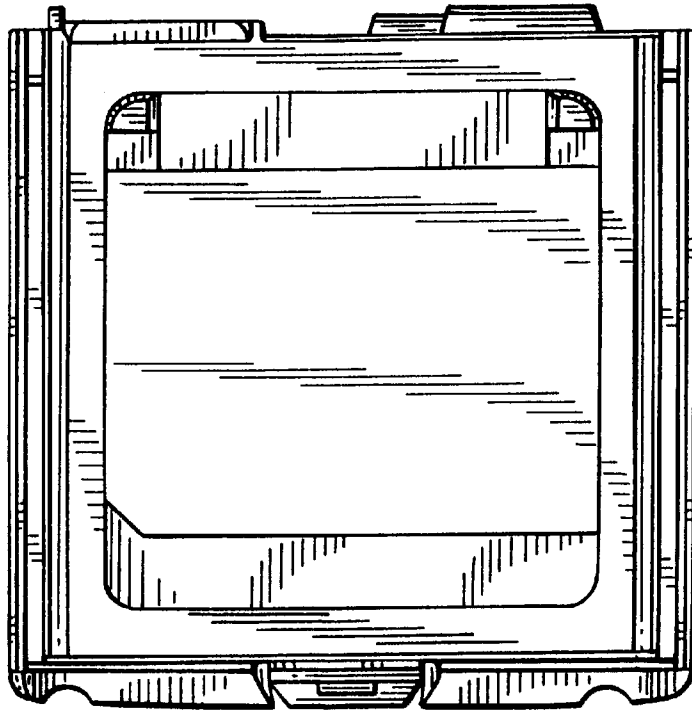


FIG. 8