



(12) **United States Design Patent**
Won et al.

(10) **Patent No.:** **US D845,259 S**
(45) **Date of Patent:** **** Apr. 9, 2019**

(54) **TELEVISION**
(71) Applicant: **LG ELECTRONICS INC.**, Seoul (KR)
(72) Inventors: **Hyojin Won**, Seoul (KR); **Hyeyoung Hong**, Seoul (KR); **Yongho Lee**, Seoul (KR); **Youngkyoung Kim**, Seoul (KR)
(73) Assignee: **LG ELECTRONICS INC.**, Seoul (KR)
(**) Term: **15 Years**

D772,831 S *	11/2016	Han	D14/126
D772,832 S *	11/2016	Han	D14/126
D772,833 S *	11/2016	Han	D14/126
D773,419 S *	12/2016	Han	D14/126
D790,493 S *	6/2017	Han	D14/126
D791,094 S *	7/2017	Han	D14/126
D807,313 S *	1/2018	Kim	D14/126
D807,846 S *	1/2018	Kim	D14/126
D812,028 S *	3/2018	Kim	D14/126
D813,831 S *	3/2018	Han	D14/126
D813,832 S *	3/2018	Kim	D14/126
D817,905 S *	5/2018	Kim	D14/126
D821,342 S *	6/2018	Kim	D14/126
D823,822 S *	7/2018	Kim	D14/126
D823,823 S *	7/2018	Kim	D14/126
D824,352 S *	7/2018	Kim	D14/126

(21) Appl. No.: **35/504,056**

* cited by examiner

(22) Filed: **May 25, 2017**

Primary Examiner — Karen E Kearney

(80) **Hague Agreement Data**

Assistant Examiner — Bao-Yen T Nguyen

Int. Filing Date: **May 25, 2017**
Int. Reg. No.: **DM/096324**
Int. Reg. Date: **May 25, 2017**
Int. Reg. Pub. Date: **Dec. 1, 2017**

(74) *Attorney, Agent, or Firm* — Birch, Stewart, Kolasch & Birch, LLP

(30) **Foreign Application Priority Data**

Nov. 25, 2016 (KR) 30-2016-0056922

(51) **LOC (11) Cl.** **14-03**

(52) **U.S. Cl.**
USPC **D14/126**

(58) **Field of Classification Search**
USPC D14/125–134, 136, 159, 239, 336, 342, D14/371, 374–377, 440, 448, 450; D21/329, 515, 577, 622
CPC ... G06F 1/1601; G06F 1/1643; H05K 5/0004; H05K 5/0017; H05K 5/02; H05K 5/0217
See application file for complete search history.

(56) **References Cited**

U.S. PATENT DOCUMENTS

D717,756 S *	11/2014	Park	D14/126
D722,300 S *	2/2015	Won	D14/126

(57) **CLAIM**

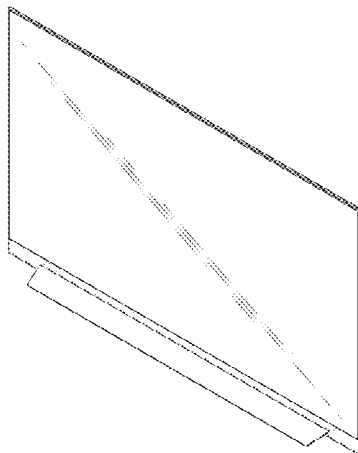
The ornamental design for a television, as shown and described.

DESCRIPTION

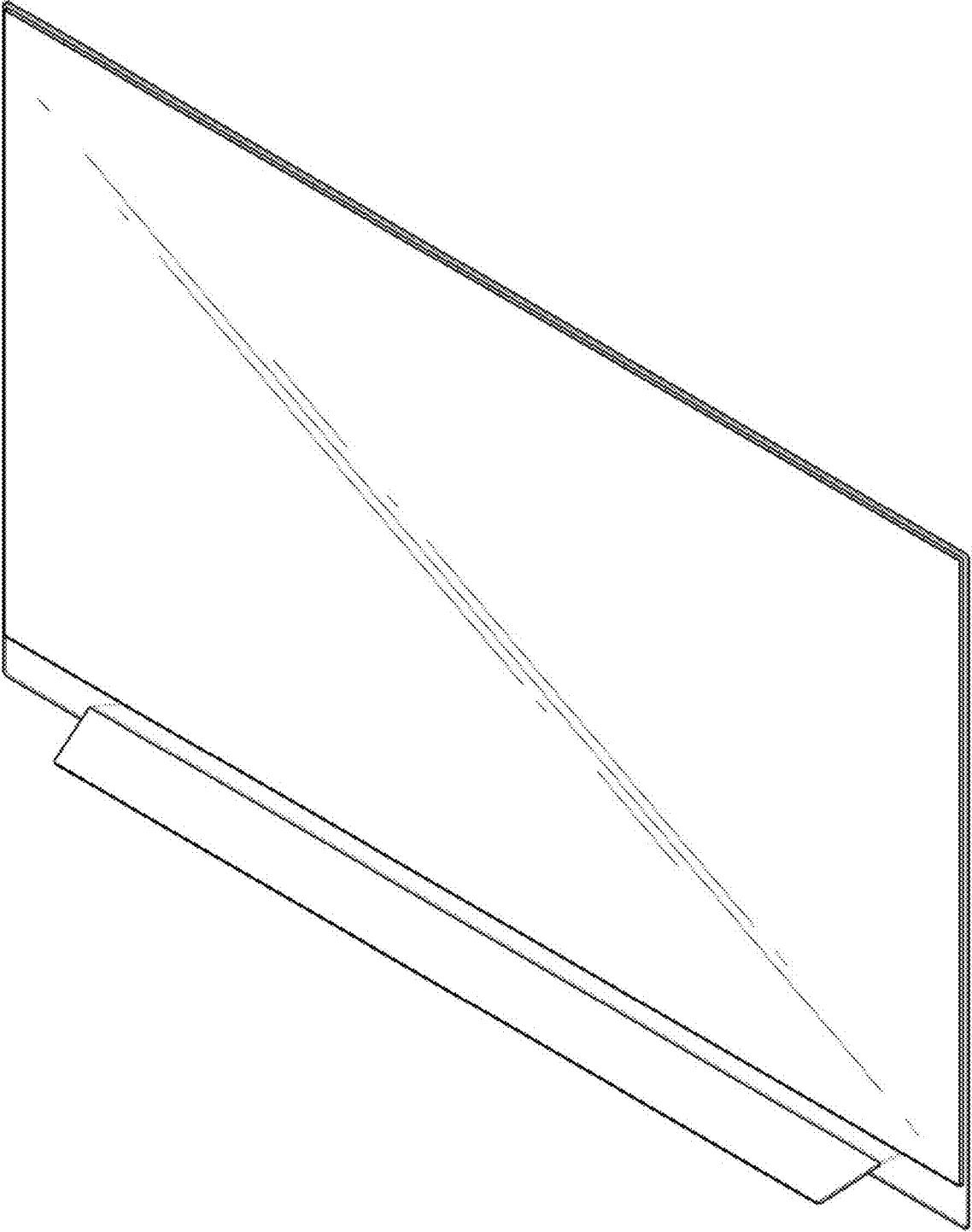
- 1. Television
- 1.1 : Perspective
- 1.2 : Front
- 1.3 : Back
- 1.4 : Left
- 1.5 : Right
- 1.6 : Top
- 1.7 : Bottom
- 1.8 : Enlarged

The broken lines illustrate portions of the television and form no part of the claimed design. The dash-dot broken lines in 1.8 are included to show a partially enlarged view of 1.1 and form no part of the claimed design.

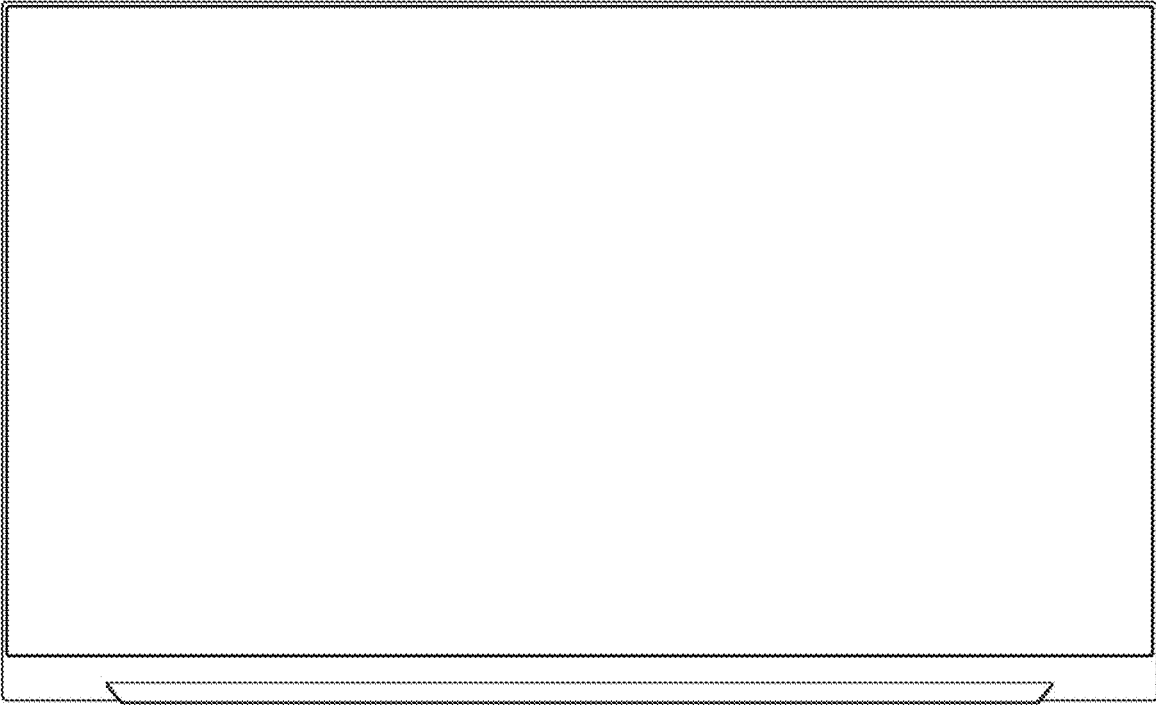
1 Claim, 8 Drawing Sheets



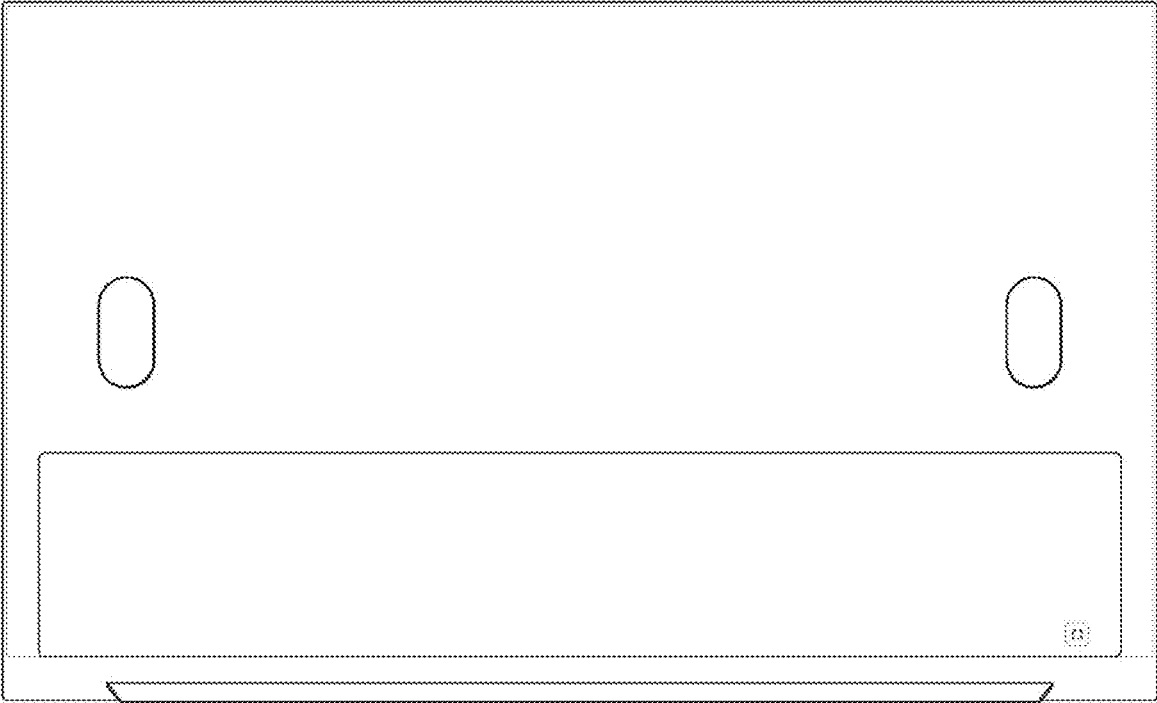
1.1



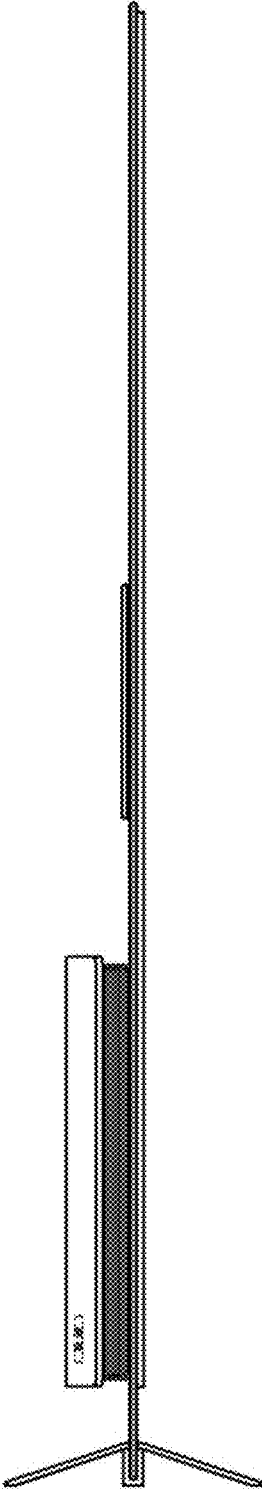
1.2



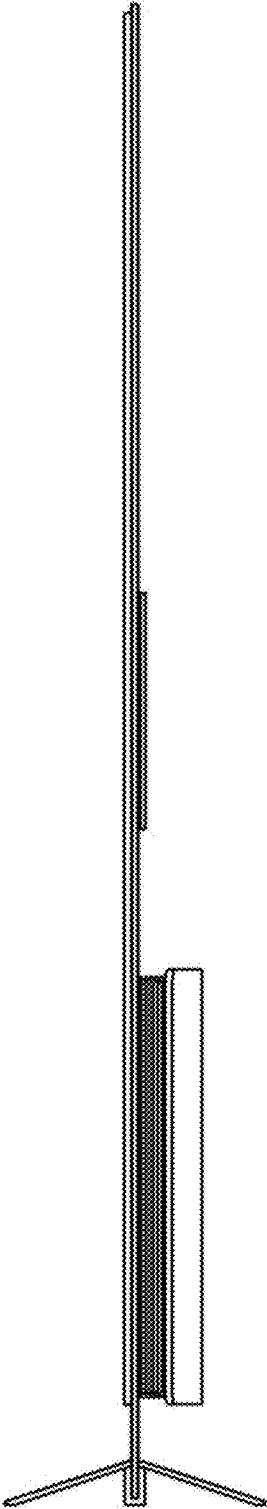
1.3



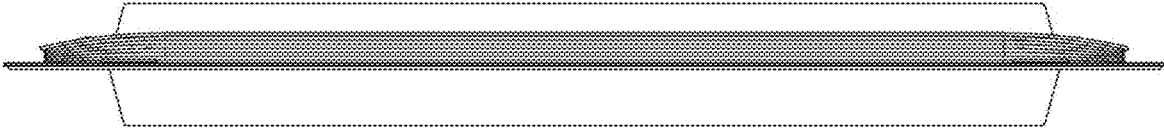
1.4



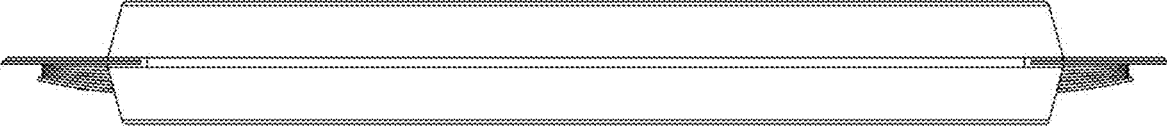
1.5



1.6



1.7



1.8

