



US0D1023945S

(12) **United States Design Patent**
Haskins

(10) **Patent No.:** **US D1,023,945 S**

(45) **Date of Patent:** **** Apr. 23, 2024**

(54) **CHARGING STATION FOR PORTABLE ELECTRONIC DEVICES**

D710,797 S 8/2014 Awiszus et al.
D712,350 S 9/2014 Smith et al.
D722,957 S 2/2015 Kotaniemi et al.

(Continued)

(71) Applicant: **Pioneer Square Brands, Inc.**, Seattle, WA (US)

(72) Inventor: **William Miles Haskins**, Kernersville, NC (US)

(73) Assignee: **Pioneer Square Brands, Inc.**, High Point, NC (US)

(**) Term: **15 Years**

(21) Appl. No.: **29/888,730**

(22) Filed: **Apr. 4, 2023**

(51) **LOC (14) Cl.** **13-02**

(52) **U.S. Cl.**
USPC **D13/108**

(58) **Field of Classification Search**
USPC D13/103, 107, 108, 118, 119, 183;
D14/251, 252, 253, 432, 433, 434, 439,
D14/447

CPC H02J 7/0044; H02J 7/0045; H04B 1/3877
See application file for complete search history.

(56) **References Cited**

U.S. PATENT DOCUMENTS

| | | | | | |
|------------|---|---------|--------------------|-------|---------|
| D401,552 S | * | 11/1998 | Tanaka | | D13/107 |
| D422,556 S | | 4/2000 | Okura et al. | | |
| D462,657 S | | 9/2002 | Kaneko | | |
| D532,365 S | * | 11/2006 | Shen | | D13/107 |
| D562,762 S | | 2/2008 | Saddlemire et al. | | |
| D580,855 S | | 11/2008 | Haspil et al. | | |
| D580,856 S | | 11/2008 | Haspil et al. | | |
| D603,333 S | | 11/2009 | Fahrendorff et al. | | |
| D605,111 S | | 12/2009 | Schoch | | |
| D608,350 S | | 1/2010 | Bo | | |
| D640,699 S | | 6/2011 | McParland | | |
| D654,019 S | | 2/2012 | Ikegame | | |
| D668,605 S | | 10/2012 | Park | | |
| D709,445 S | | 7/2014 | Yeh | | |

OTHER PUBLICATIONS

“Ring Charging Station”. Found online Apr. 18, 2023 at amazon.com. Reference dated Aug. 19, 2021. Retrieved from <https://www.amazon.com/Ring-Charging-Station-Release-Battery/dp/B08HRX74PF?th=1>. (Year: 2021).*

(Continued)

Primary Examiner — Kendra Leslie Hamilton

Assistant Examiner — Amanda Christensen

(74) *Attorney, Agent, or Firm* — Grandview Law

(57) **CLAIM**

The ornamental design for a charging station for portable electronic devices, as shown and described.

DESCRIPTION

FIG. 1 is a front right perspective view of a charging station for portable electronic devices showing our new design.

FIG. 2 is a front elevational view thereof.

FIG. 3 is a rear elevational view thereof.

FIG. 4 is a right elevational view thereof.

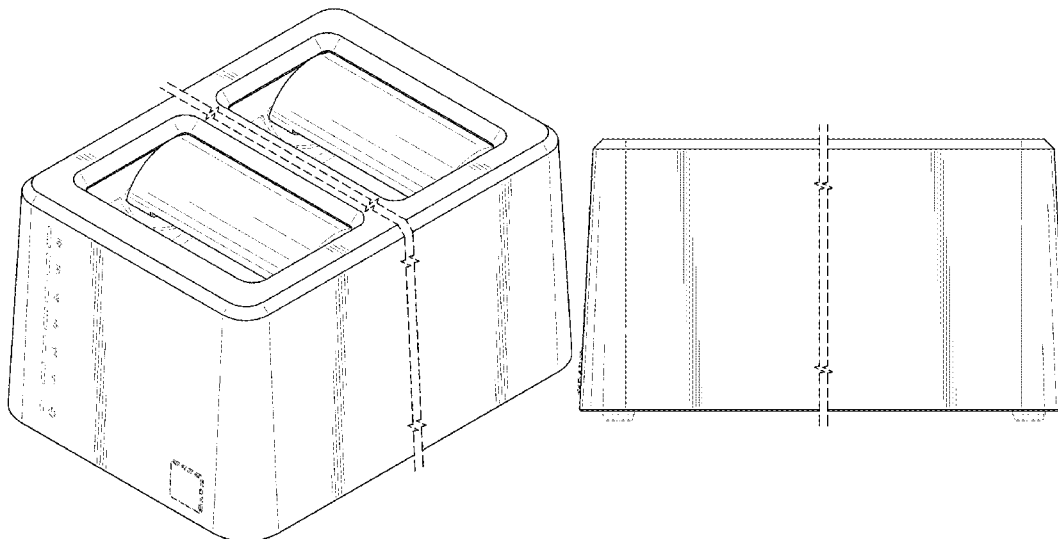
FIG. 5 is a left elevational view thereof.

FIG. 6 is a top plan view thereof; and,

FIG. 7 is a bottom plan view thereof.

The broken lines in the drawing figures depict portions of the charging station for portable electronic devices and form no part of the claimed design. The charging station for portable electronic devices is shown with symbolic breaks in its length. The appearance of any portion of the article between the break lines forms no part of the claimed design.

1 Claim, 7 Drawing Sheets



(56)

References Cited

U.S. PATENT DOCUMENTS

D722,958 S 2/2015 Kotaniemi et al.
 D726,690 S 4/2015 Andre et al.
 D736,703 S 8/2015 Kotaniemi et al.
 D749,042 S * 2/2016 Gecawicz D13/107
 D755,122 S 5/2016 Gecawicz et al.
 D757,013 S 5/2016 Sale et al.
 D789,884 S * 6/2017 Bourgeois D13/107
 D801,920 S 11/2017 Yoon
 D808,021 S 1/2018 Coonahan et al.
 D820,782 S * 6/2018 Wang D13/107
 D823,792 S 7/2018 Komoni et al.
 D845,234 S 4/2019 Gao
 D860,132 S 9/2019 Fu
 D866,460 S 11/2019 Komoni et al.
 10,483,776 B2 11/2019 Murakami et al.
 D879,713 S 3/2020 Piper
 D884,610 S * 5/2020 Heath D13/107
 D895,542 S * 9/2020 Bell D13/108
 D896,748 S * 9/2020 Fonzo D13/107
 D926,128 S * 7/2021 Perkins D13/108
 D947,763 S 4/2022 Huang
 D949,102 S 4/2022 Zhou
 D950,486 S 5/2022 Wang

D953,975 S 6/2022 Huang
 D962,863 S 9/2022 Tang
 D964,273 S 9/2022 Uchida et al.
 D967,760 S 10/2022 Yu
 D977,421 S * 2/2023 Muhlenkamp, IV D13/108
 D977,481 S 2/2023 Troedson et al.
 D979,489 S 2/2023 Bonilla et al.
 D982,511 S 4/2023 Bonilla et al.
 2005/0024011 A1 * 2/2005 Chen H02J 7/0044
 320/107
 2005/0143142 A1 * 6/2005 Bang H02J 7/0044
 455/573
 2017/0187212 A1 * 6/2017 Hemesath H02J 7/342

OTHER PUBLICATIONS

“KwikBoost EdgePower Charging Station”. Found online Apr. 18, 2023 at amazon.com. Reference dated Sep. 6, 2019. Retrieved from <https://www.amazon.com/KwikBoost-EdgePower-Accessories-Add-Ons/dp/B07XK8XL9W?th=1>. (Year: 2019).*

“Audio-Technica Wireless Microphone”. Found online May 3, 2022 at amazon.co.jp. Reference dated Mar. 1, 2019. Retrieved from <https://www.amazon.co.jp/-/en/AUDIO-TECHNICA-ATW-CHG3N-Wireless-Microphone-Charger/dp/B07P9F38VD>. (Year: 2019).*

* cited by examiner

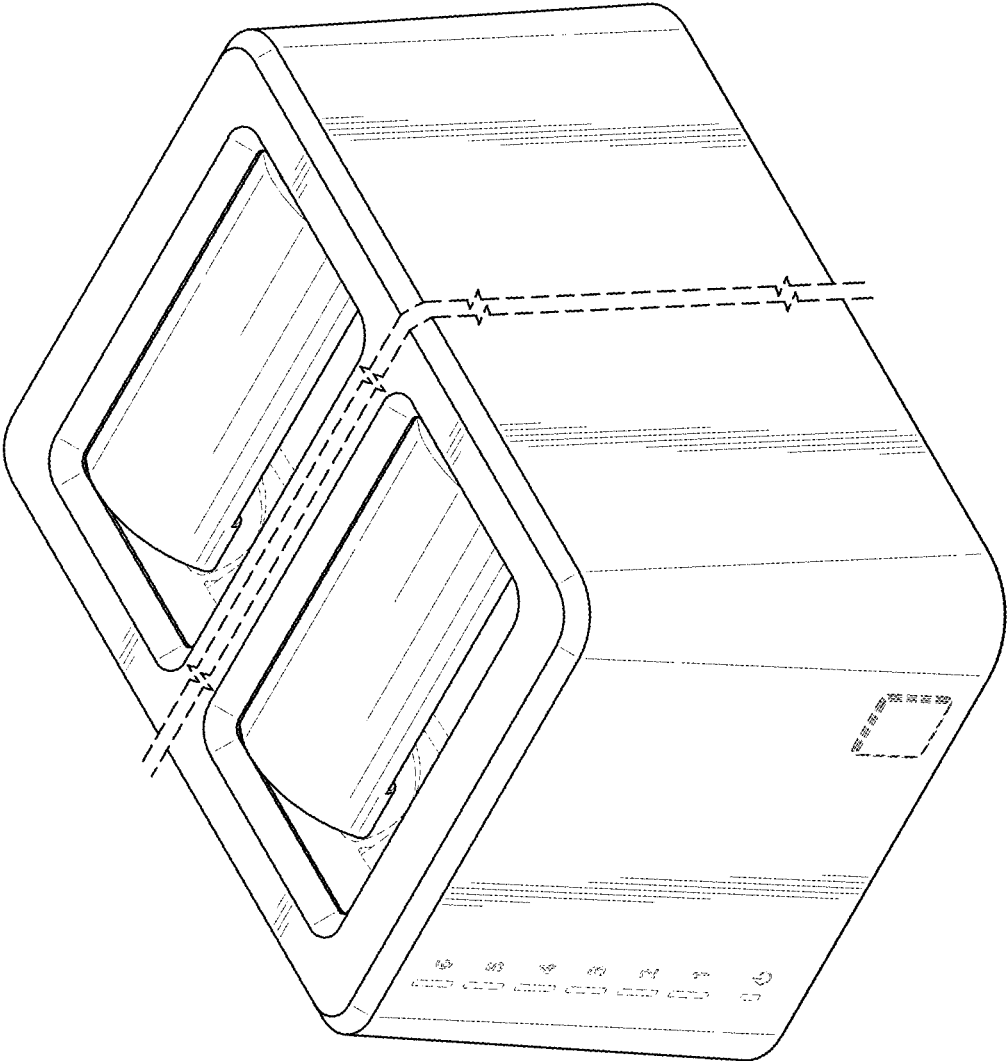


FIG. 1

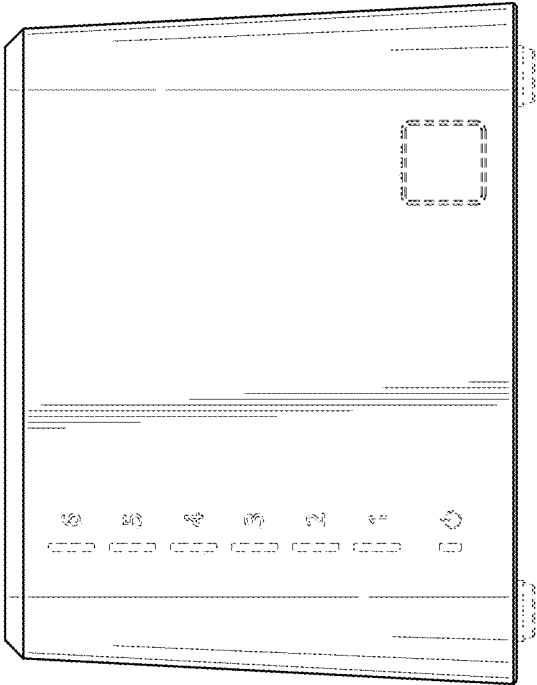


FIG. 2

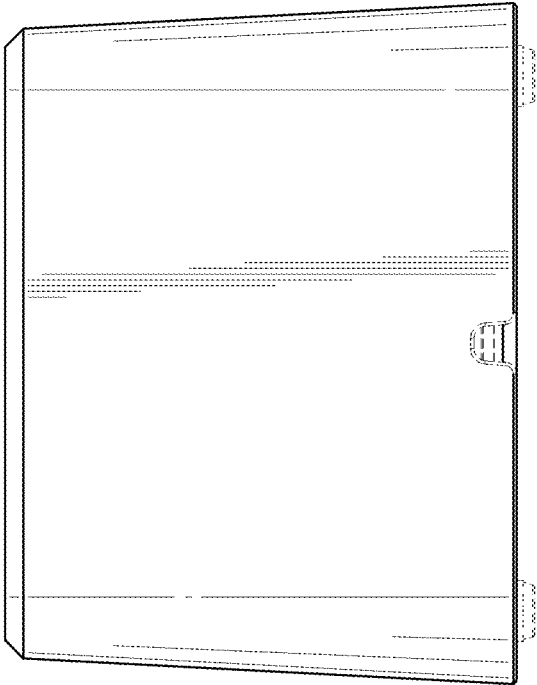


FIG. 3

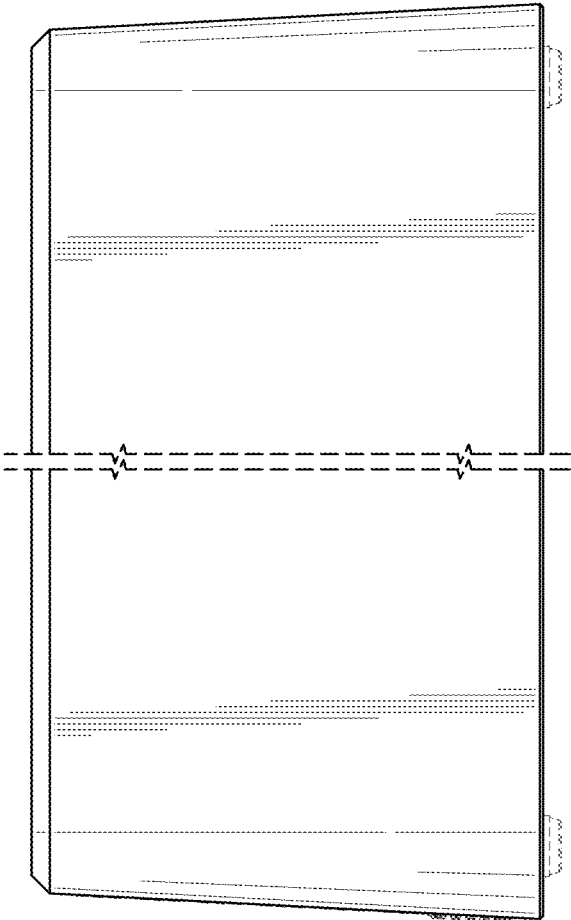


FIG. 4

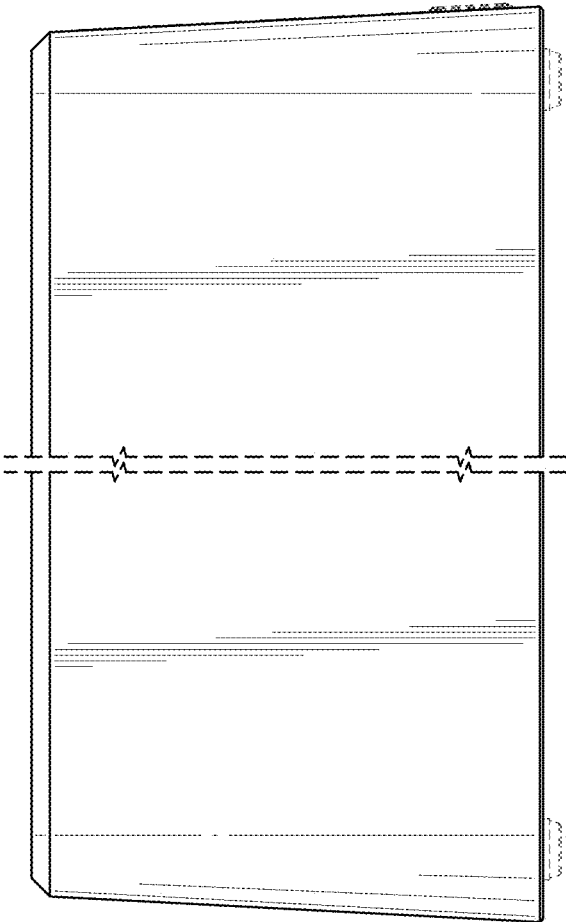


FIG. 5

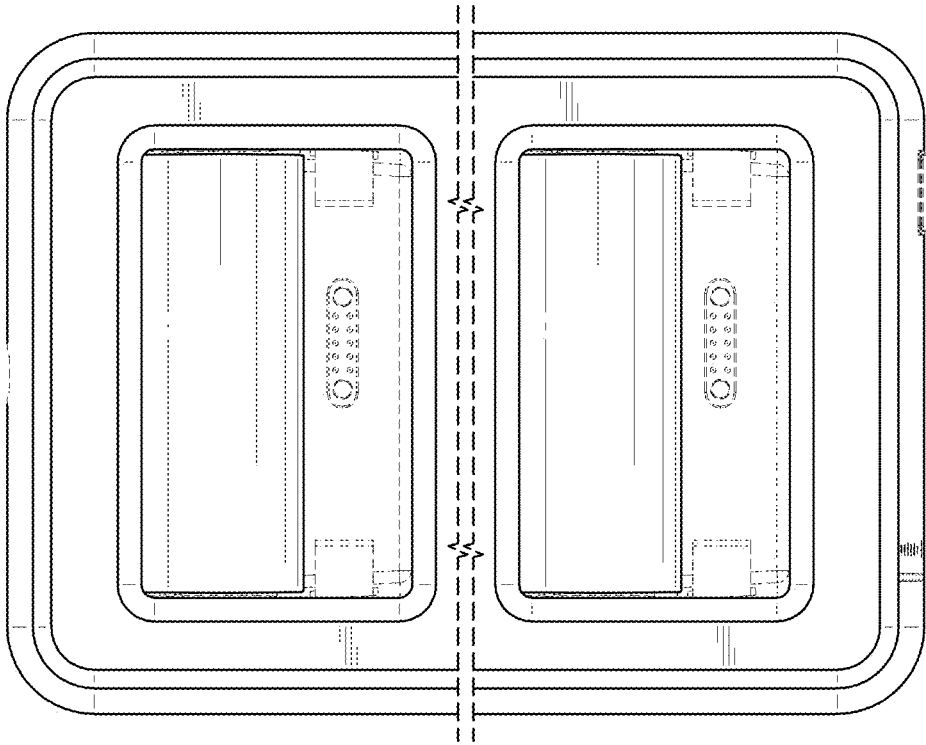


FIG. 6

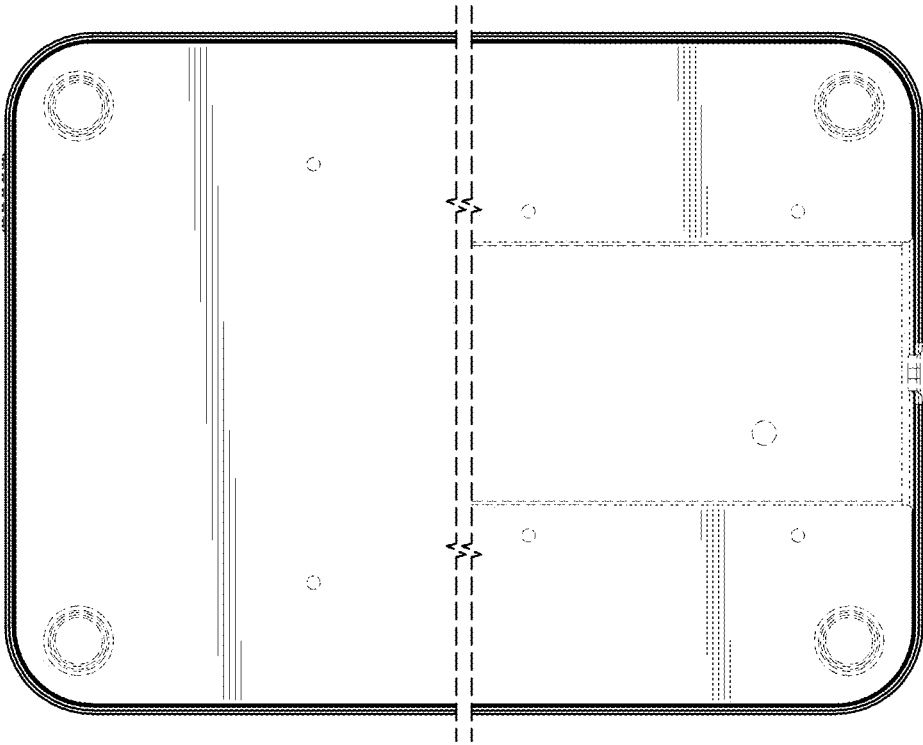


FIG. 7