



US00D776853S

(12) **United States Design Patent**
Akiyama

(10) **Patent No.:** **US D776,853 S**
(45) **Date of Patent:** **** Jan. 17, 2017**

- (54) **LIGHTING FIXTURE**
- (71) Applicant: **KENALL MANUFACTURING COMPANY**, Kenosha, WI (US)
- (72) Inventor: **Steven Akiyama**, New Lenox, IL (US)
- (73) Assignee: **KENALL MANUFACTURING COMPANY**, Kenosha, WI (US)
- (**) Term: **15 Years**
- (21) Appl. No.: **29/547,302**
- (22) Filed: **Dec. 2, 2015**

D330,268	S	10/1992	Jaksich	
5,301,090	A	4/1994	Hed	
5,738,436	A	4/1998	Cummings et al.	
D400,281	S	10/1998	Kerr	
6,197,444	B1	3/2001	Vackar	
6,375,338	B1	4/2002	Cummings et al.	
D457,981	S	5/2002	Yeh	
D512,792	S	* 12/2005	Benensohn	D26/76
D564,694	S	* 3/2008	Southern, Jr.	D26/76
D585,581	S	* 1/2009	Purcell	D26/76
D602,626	S	10/2009	Santoro et al.	
D617,028	S	* 6/2010	Verfuert	D26/75
D632,004	S	* 2/2011	Waldmann	D26/76
D647,239	S	10/2011	Beghelli	
D673,712	S	1/2013	Patel	
D685,943	S	7/2013	Duquette et al.	

(Continued)

Related U.S. Application Data

- (63) Continuation of application No. 29/475,908, filed on Dec. 9, 2013, now abandoned.
- (51) **LOC (10) Cl.** **26-05**
- (52) **U.S. Cl.**
USPC **D26/74**
- (58) **Field of Classification Search**
USPC D26/74, 72, 75, 76, 77, 78, 85, 88, 89, D26/118, 138, 141; 362/364, 365, 373, 362/145, 146, 147, 148, 150, 153, 153.1, 362/294, 296.01, 296.07, 296.08
CPC F21V 29/2262; F21V 7/06; F21V 21/044; F21V 21/047; F21V 29/2212; F21V 29/2225; F21V 29/2256; F21V 29/225; F21V 29/2268; F21Y 2111/002; F21S 8/02; F21S 8/026
See application file for complete search history.

References Cited

U.S. PATENT DOCUMENTS

- D195,012 S 4/1963 Hoyle
- D201,544 S 7/1965 Brooks

Primary Examiner — Angela J Lee

(74) *Attorney, Agent, or Firm* — Marshall, Gerstein & Borun LLP

(57) **CLAIM**

The ornamental design for a lighting fixture, as shown and described.

DESCRIPTION

FIG. 1 is a perspective view showing a new design for a lighting fixture;

FIG. 2 is a front view of the lighting fixture of FIG. 1;

FIG. 3 is a rear view of the lighting fixture of FIG. 1;

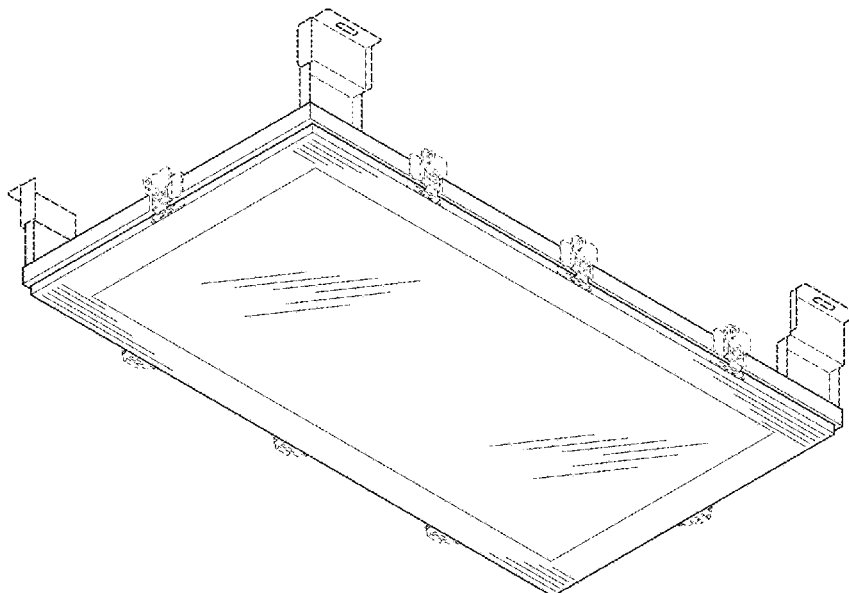
FIG. 4 is a left-side view of the lighting fixture of FIG. 1;

FIG. 5 is a right-side view of the lighting fixture of FIG. 1; and

FIG. 6 is a bottom view of the lighting fixture of FIG. 1; and, FIG. 7 is a top view of the lighting fixture of FIG. 1.

The dashed lines showing portions of the lighting fixture are included for the purpose of illustrating environment and form no part of the claimed design.

1 Claim, 5 Drawing Sheets



(56)

References Cited

U.S. PATENT DOCUMENTS

D690,867	S	*	10/2013	Mayfield, III	D26/74
D691,764	S		10/2013	Sieczkowski		
D698,969	S	*	2/2014	Johns	D26/74
D698,974	S		2/2014	Aniserowicz et al.		
D702,868	S		4/2014	Patel		
D731,693	S		6/2015	Boyer et al.		
D732,225	S		6/2015	Grandsart et al.		
2004/0082209	A1		4/2004	Zenaboni		
2004/0105264	A1		6/2004	Spero		
2007/0076459	A1		4/2007	Limpkin		
2009/0073692	A1		3/2009	Berger et al.		
2009/0290343	A1		11/2009	Brown et al.		
2010/0085748	A1		4/2010	Kelly et al.		
2010/0110684	A1		5/2010	Abdelsamed et al.		
2010/0142202	A1		6/2010	Sugishita et al.		
2010/0280677	A1		11/2010	Budike, Jr.		
2011/0164411	A1		7/2011	Sparing et al.		
2011/0273877	A1		11/2011	Reed et al.		
2012/0159821	A1		6/2012	Miletich et al.		
2012/0176795	A1		7/2012	Lynch		
2012/0217882	A1		8/2012	Wong et al.		
2012/0249016	A1		10/2012	Smith		
2012/0293086	A1		11/2012	Ishikita et al.		
2012/0294000	A1		11/2012	Thomas et al.		
2013/0003373	A1		1/2013	Hamby et al.		
2013/0027935	A1		1/2013	Ladewig et al.		
2013/0058108	A1		3/2013	Blincoe et al.		
2013/0062724	A1		3/2013	Tokuyama et al.		
2013/0063935	A1		3/2013	Thraikill		
2013/0077311	A1		3/2013	Kinnune et al.		
2013/0208471	A1		8/2013	Lueken et al.		
2015/0159852	A1*		6/2015	Dahlen	F21V 29/503 362/249.02

* cited by examiner

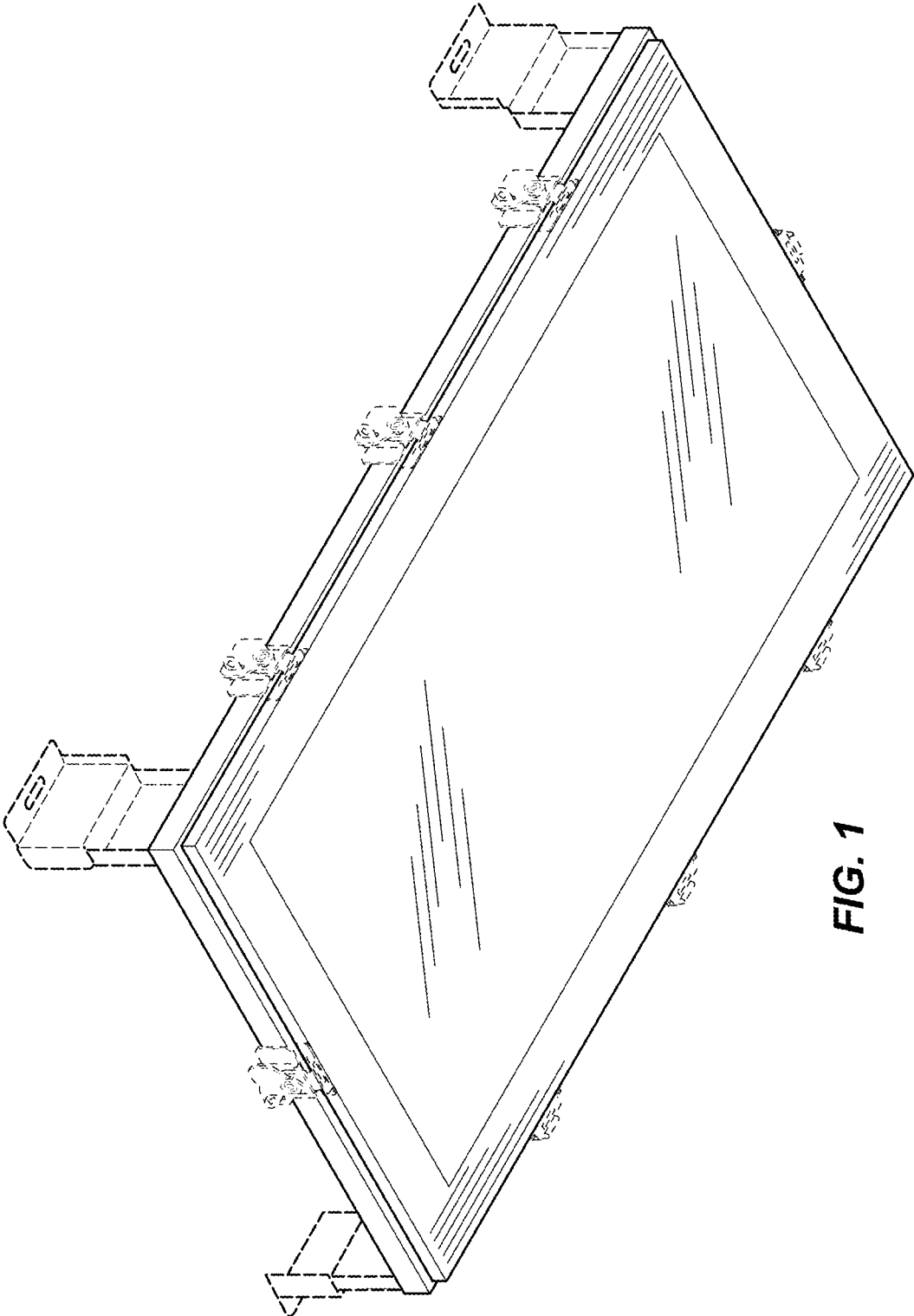


FIG. 1

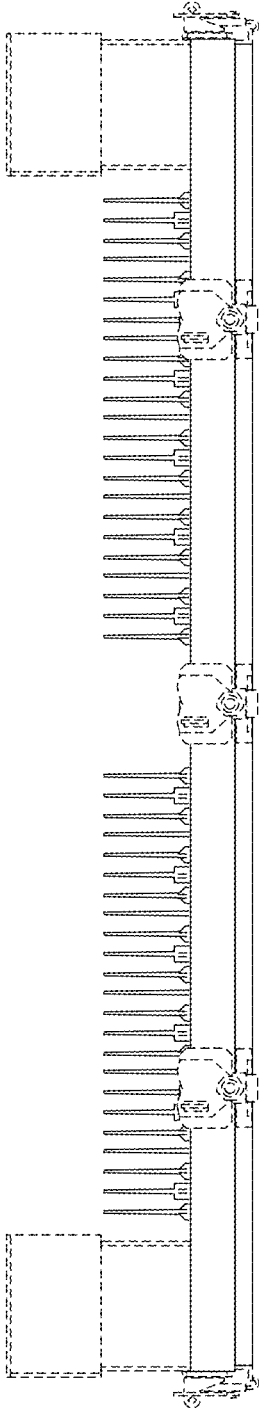


FIG. 2

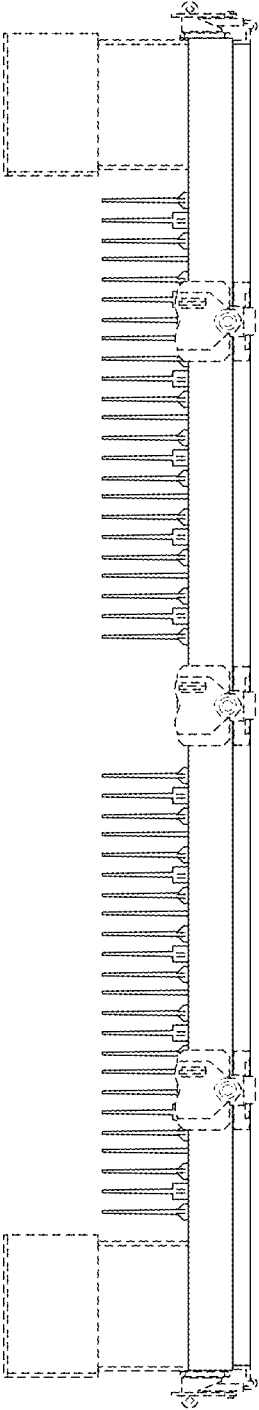


FIG. 3

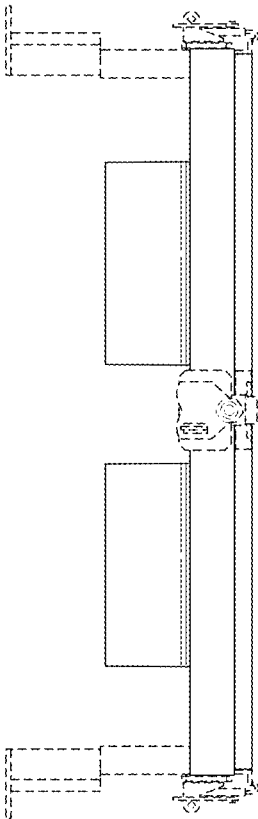


FIG. 4

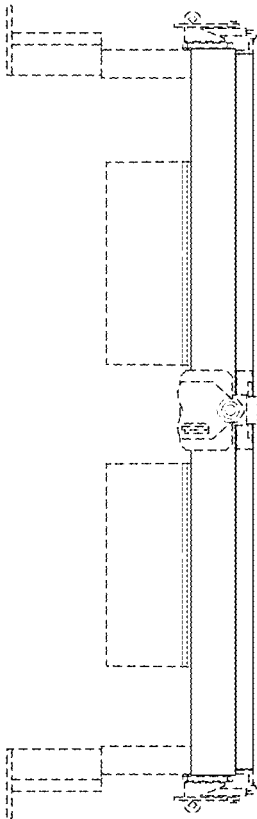


FIG. 5

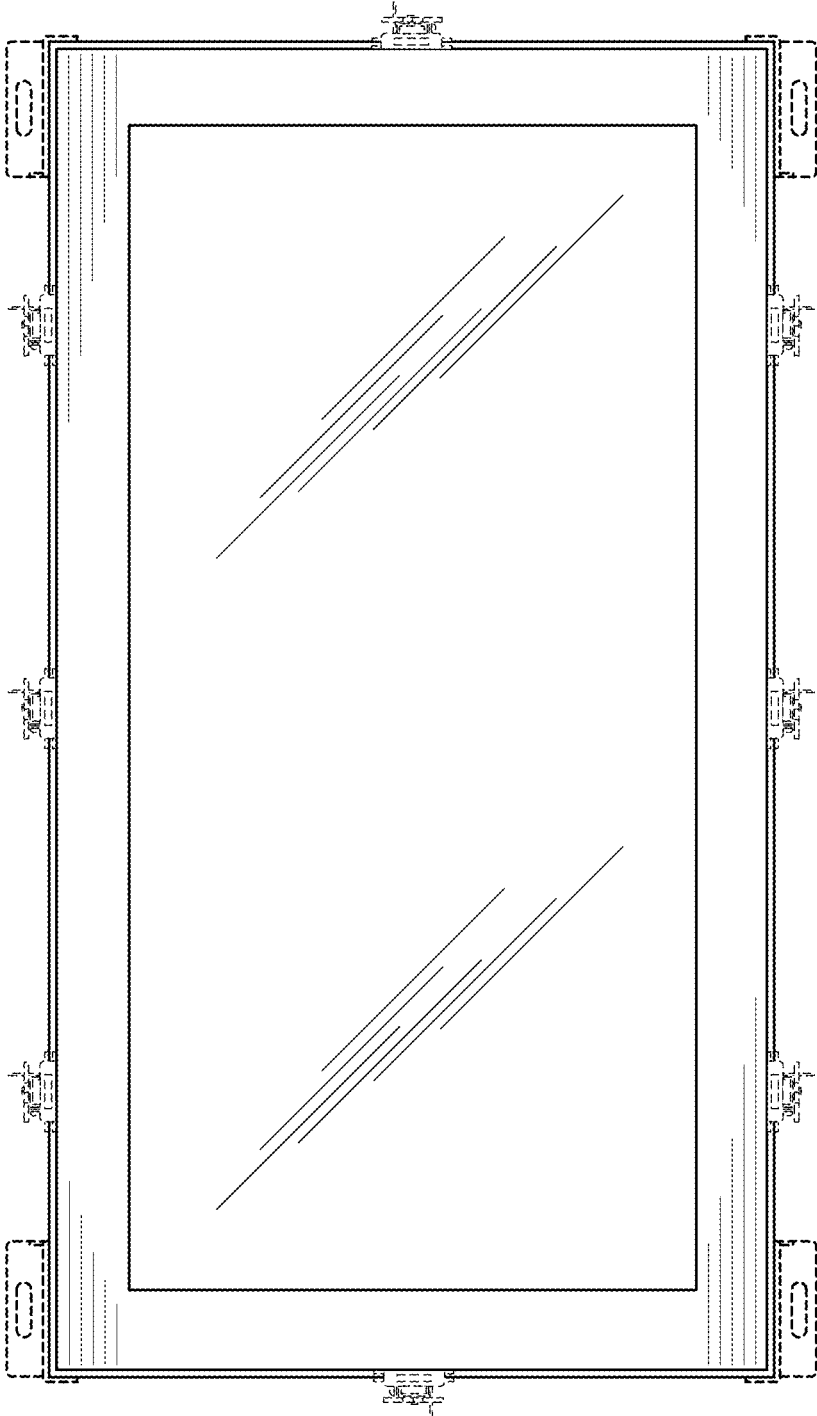


FIG. 6

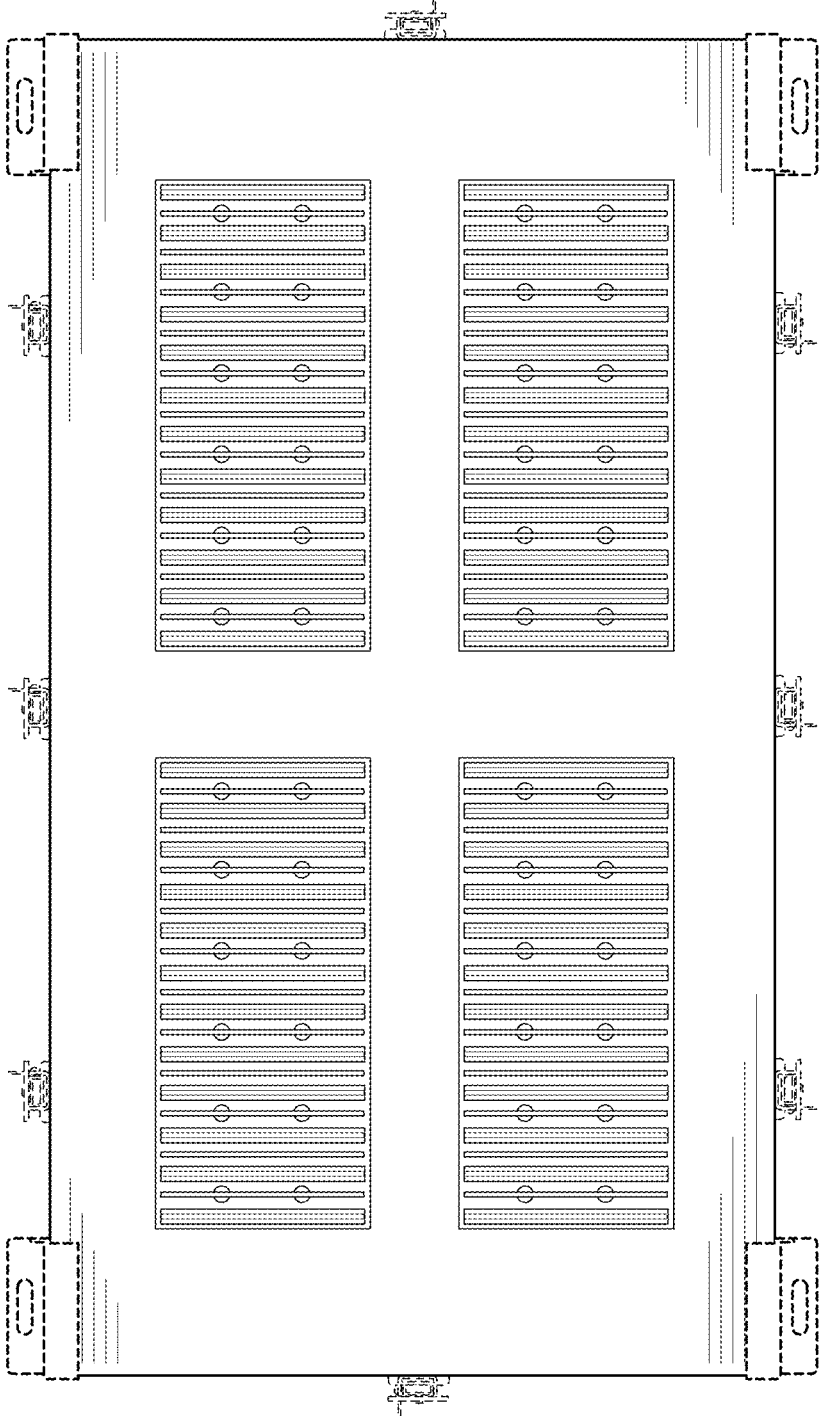


FIG. 7