



US00D655583S

(12) **United States Design Patent**
Palazzolo

(10) **Patent No.:** **US D655,583 S**

(45) **Date of Patent:** **** Mar. 13, 2012**

(54) **LUNCH PURSE**

(75) Inventor: **Mary Lou Palazzolo**, Macomb, MI (US)

(73) Assignee: **Mary Lou Palazzolo**, Macomb, MI (US)

(**) Term: **14 Years**

(21) Appl. No.: **29/370,253**

(22) Filed: **Jun. 21, 2010**

(51) **LOC (9) Cl.** **11-02**

(52) **U.S. Cl.** **D7/709; D3/243**

(58) **Field of Classification Search** D7/601-605,
D7/607, 706, 709, 629, 641; D3/201, 205,
D3/229, 232-233, 239-243, 245-246, 276,
D3/283, 287, 289-293, 299, 301, 900; 62/371,
62/457.1, 457.7; 150/100, 103-104, 106-108,
150/112, 118; 220/195.03, 592.03, 915.1;
383/84, 86, 86.1, 86.2

See application file for complete search history.

(56) **References Cited**

U.S. PATENT DOCUMENTS

2,798,524	A	*	7/1957	Ryon	150/103
D256,631	S	*	9/1980	Workman	D3/287
D260,053	S	*	8/1981	Siegel	D3/243
D263,649	S	*	4/1982	Schimmel	D3/243
D326,188	S	*	5/1992	Thomas	D3/243
D372,795	S	*	8/1996	Swinford et al.	D3/243
D384,812	S	*	10/1997	Heffelfinger	D3/243
D417,779	S	*	12/1999	De Baschmakoff	D3/243
D421,371	S	*	3/2000	Fair	D7/709
D451,677	S	*	12/2001	Kim	D3/324
D469,252	S	*	1/2003	Su	D3/289

D566,384	S	*	4/2008	Yanz et al.	D3/232
D619,432	S	*	7/2010	LaBonte	D7/709
D646,479	S	*	10/2011	Littleton	D3/243

* cited by examiner

Primary Examiner — Ian Simmons

Assistant Examiner — Dana L Sipos

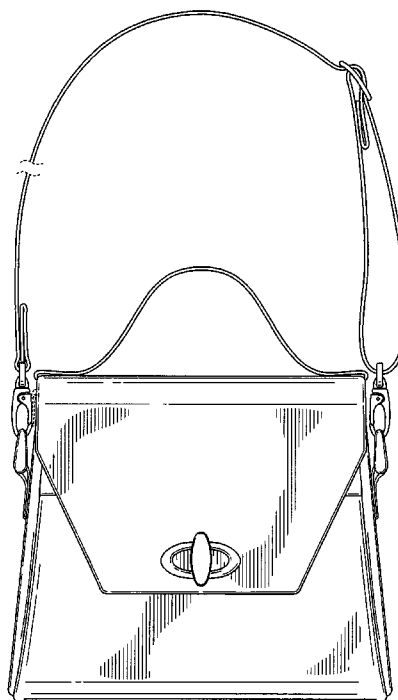
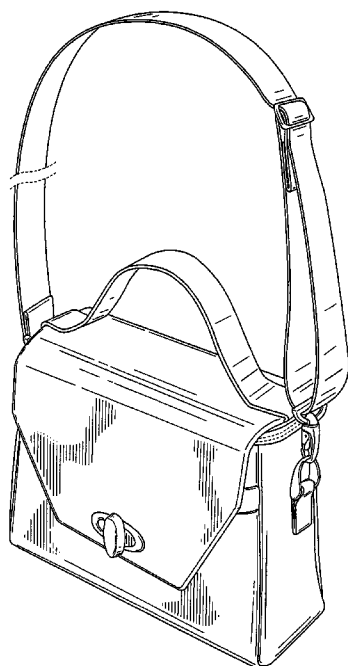
(57) **CLAIM**

The ornamental design for a lunch purse, as shown and described.

DESCRIPTION

FIG. 1 is a top, front, right side perspective view of a lunch purse showing my new design;
FIG. 2 is a front elevation view thereof;
FIG. 3 is a rear elevation view thereof;
FIG. 4 is a left side elevation view thereof;
FIG. 5 is a right side elevation view thereof;
FIG. 6 is a top plan view thereof;
FIG. 7 is a bottom plan view thereof; and,
FIG. 8 is a top, front, right side exploded view thereof, showing the unclaimed ice pack, water bottle and drawstring sack. The broken lines in the drawings showing the interior elements of the lunch purse illustrate the portions of the design that form no part of the claim. The broken lines applied to the handle strap of the lunch purse in FIGS. 1-4, 6 & 8 have been applied at a break in the structure to indicate indeterminate length, with the understanding that the “indeterminate length” portion of the article not shown forms no part of the claim design. Patentability is based only on those portions of the article that are present in the drawings and shown in solid lines.

1 Claim, 7 Drawing Sheets



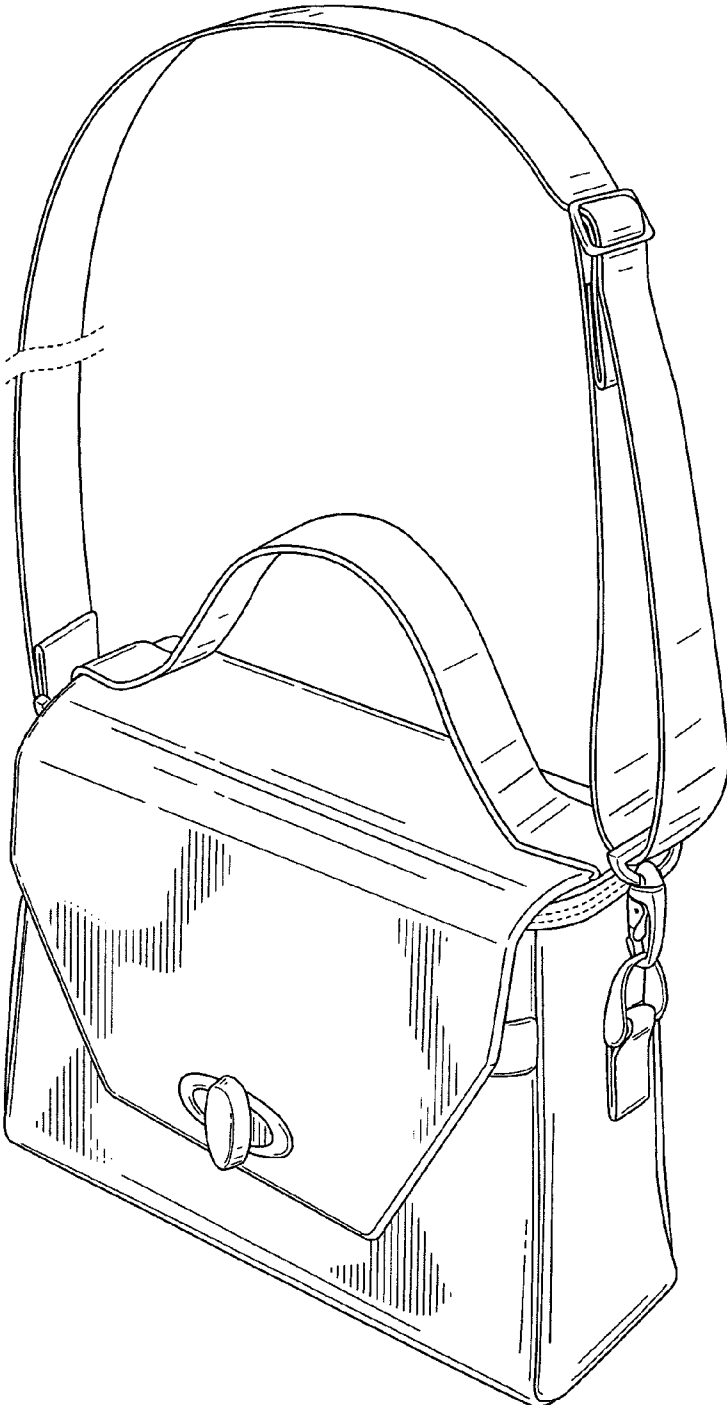


FIG. 1

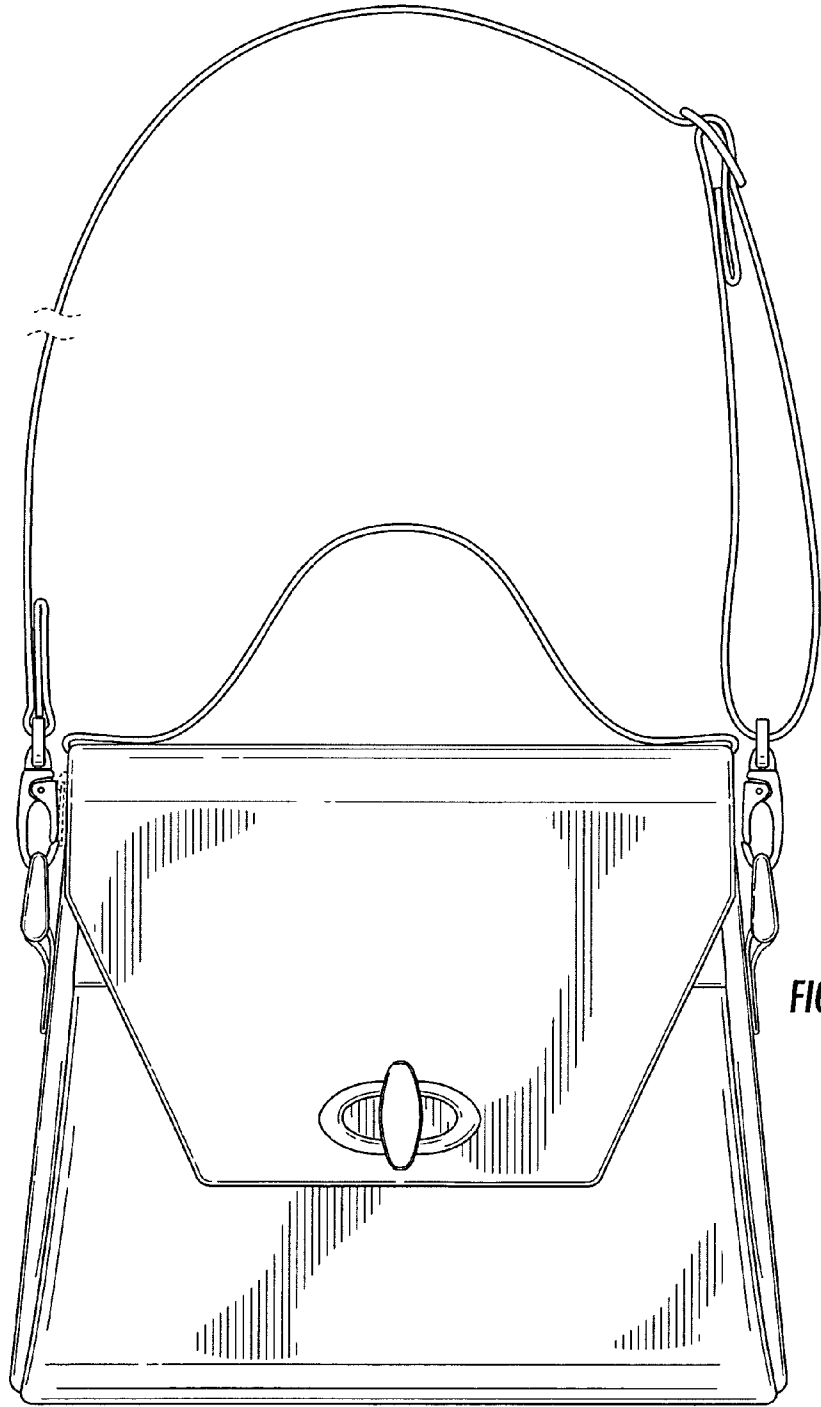


FIG. 2

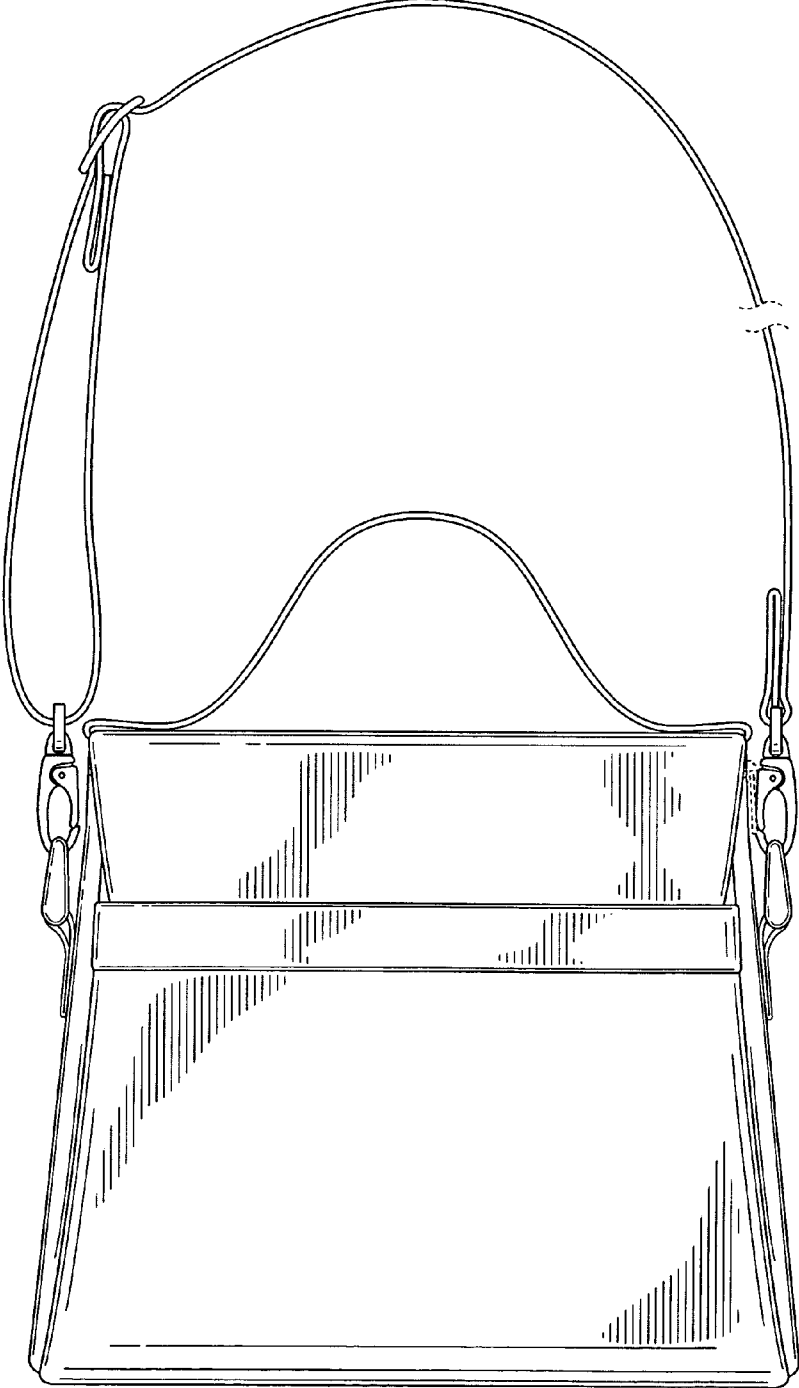


FIG. 3

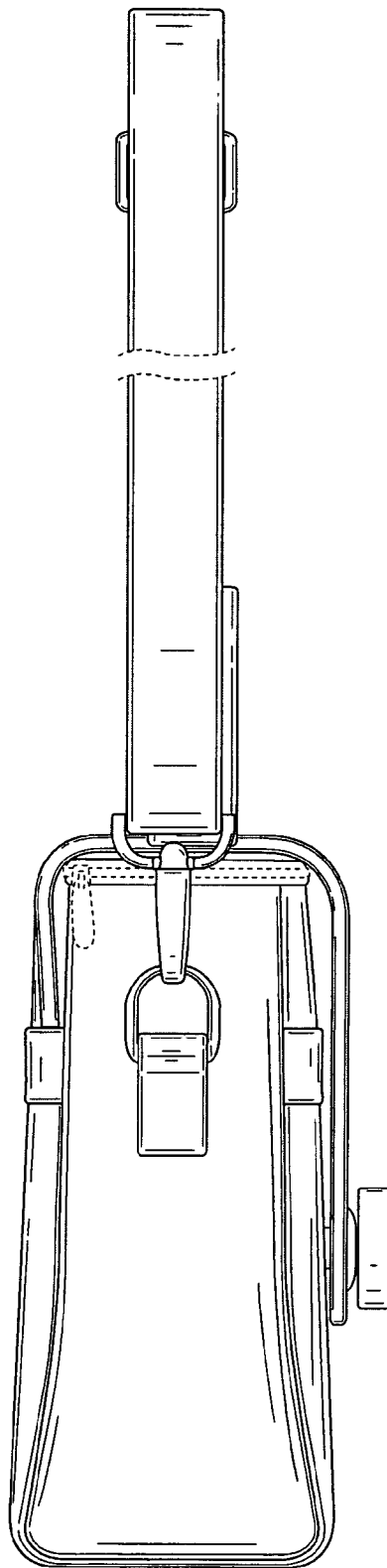


FIG. 4

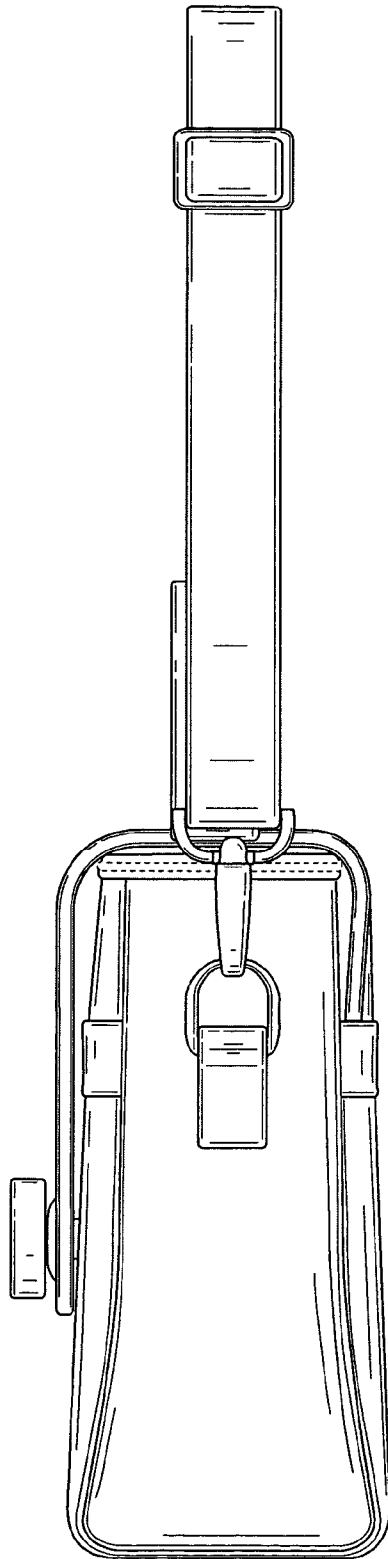


FIG. 5

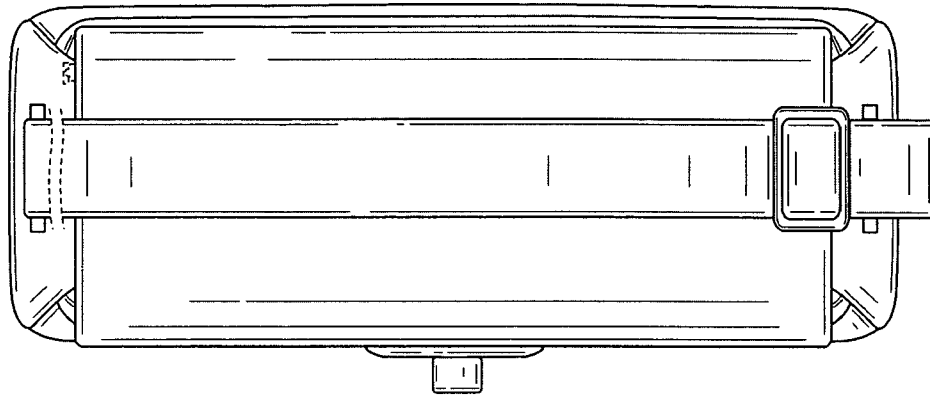


FIG. 6

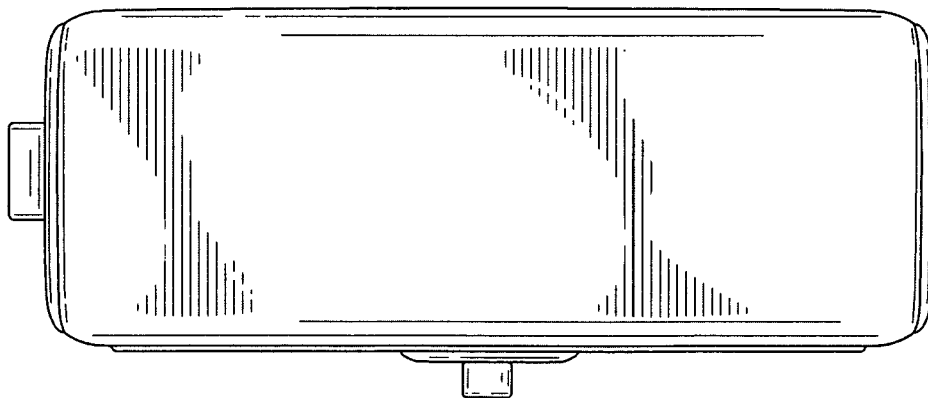


FIG. 7

FIG. 8

