



US0D1005713S

(12) **United States Design Patent** (10) **Patent No.:** **US D1,005,713 S**
He (45) **Date of Patent:** **** Nov. 28, 2023**

(54) **CHAIR**

(71) Applicant: **Xi'an Chaofeifan E-commerce Co., Ltd.**, Xi'an (CN)

(72) Inventor: **Weihan He**, Xi'an (CN)

(**) Term: **15 Years**

(21) Appl. No.: **29/893,351**

(22) Filed: **May 29, 2023**

(51) **LOC (14) Cl.** **06-01**

(52) **U.S. Cl.**

USPC **D6/366**

(58) **Field of Classification Search**

USPC D6/334-336, 366, 368, 373, 374, 376, D6/379, 380, 716, 716.1, 716.2, 716.3, D6/716.4

CPC A47C 1/46; A47C 4/03; A47C 4/04; A47C 4/18; A47C 5/04; A47C 5/10; A47C 7/40

See application file for complete search history.

(56) **References Cited**

U.S. PATENT DOCUMENTS

D467,442 S *	12/2002	Zaidman	D6/366
D487,987 S *	4/2004	Wu	D6/366
D492,494 S *	7/2004	Tai	D6/366
D495,907 S *	9/2004	True	D6/366
D506,335 S *	6/2005	Egger	D6/366
D531,433 S *	11/2006	Johnson	D6/366
D532,224 S *	11/2006	Vong	D6/366
D661,522 S *	6/2012	Ping	D6/365
D927,872 S *	8/2021	Li	D6/366
D938,769 S *	12/2021	Palma	D6/716
D944,578 S *	3/2022	Palma	D6/716
D970,947 S *	11/2022	Bhakta	D6/716
D970,948 S *	11/2022	Mezzera	D6/716
D984,818 S	5/2023	Li	
D985,989 S	5/2023	Schmitz et al.	

OTHER PUBLICATIONS

ErGear Office Chair, posted on amazon.com, first available Aug. 27, 2023, online, retrieved Sep. 1, 2023, URL: https://www.amazon.com/dp/B0C73CZ5NV/ref=sspa_dk_detail_4? (Year: 2023).*

Nouhaus Office Chair, posted on amazon.com, first available Jan. 13, 2020, online, retrieved Sep. 1, 2023, URL: <https://www.amazon.com/Posture-Ergonomic-FlipAdjust-Armrests-Executive/dp/B083SN1J2T?th=1> (Year: 2020).*

Amazon Commercial Office Chair, posted on amazon.com, first available Oct. 8, 2019, online, retrieved Sep. 1, 2023, URL: https://www.amazon.com/AmazonCommercial-Ergonomic-High-Back-Rhombus-Stitched-Executive/dp/B07V5WKJM4/ref=dp_fod_scc1_1/141-346117 (Year: 2019).*

* cited by examiner

Primary Examiner — Mary Shannon Malley
Assistant Examiner — Michelle Marquart Christeon
(74) *Attorney, Agent, or Firm* — Daniel M. Cohn;
Howard M. Cohn

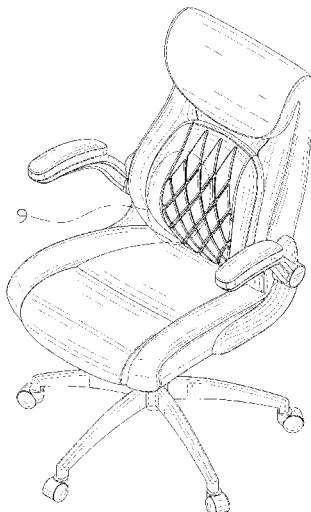
(57) **CLAIM**

The ornamental design for a chair, as shown and described.

DESCRIPTION

FIG. 1 is a perspective view of a chair showing my new design;
FIG. 2 is another perspective view thereof;
FIG. 3 is a front elevational view thereof;
FIG. 4 is a rear elevational view thereof;
FIG. 5 is a left side elevational view thereof;
FIG. 6 is a right side elevational view thereof;
FIG. 7 is a top plan view thereof;
FIG. 8 is a bottom plan view thereof; and,
FIG. 9 is an enlarged view of portion 9 shown in FIG. 1. The dash-dash broken lines in the drawings depict portions of the chair that form no part of the claimed design. The dot-dash broken lines represent boundaries of the enlarged portions and form no part of the claimed design.

1 Claim, 9 Drawing Sheets



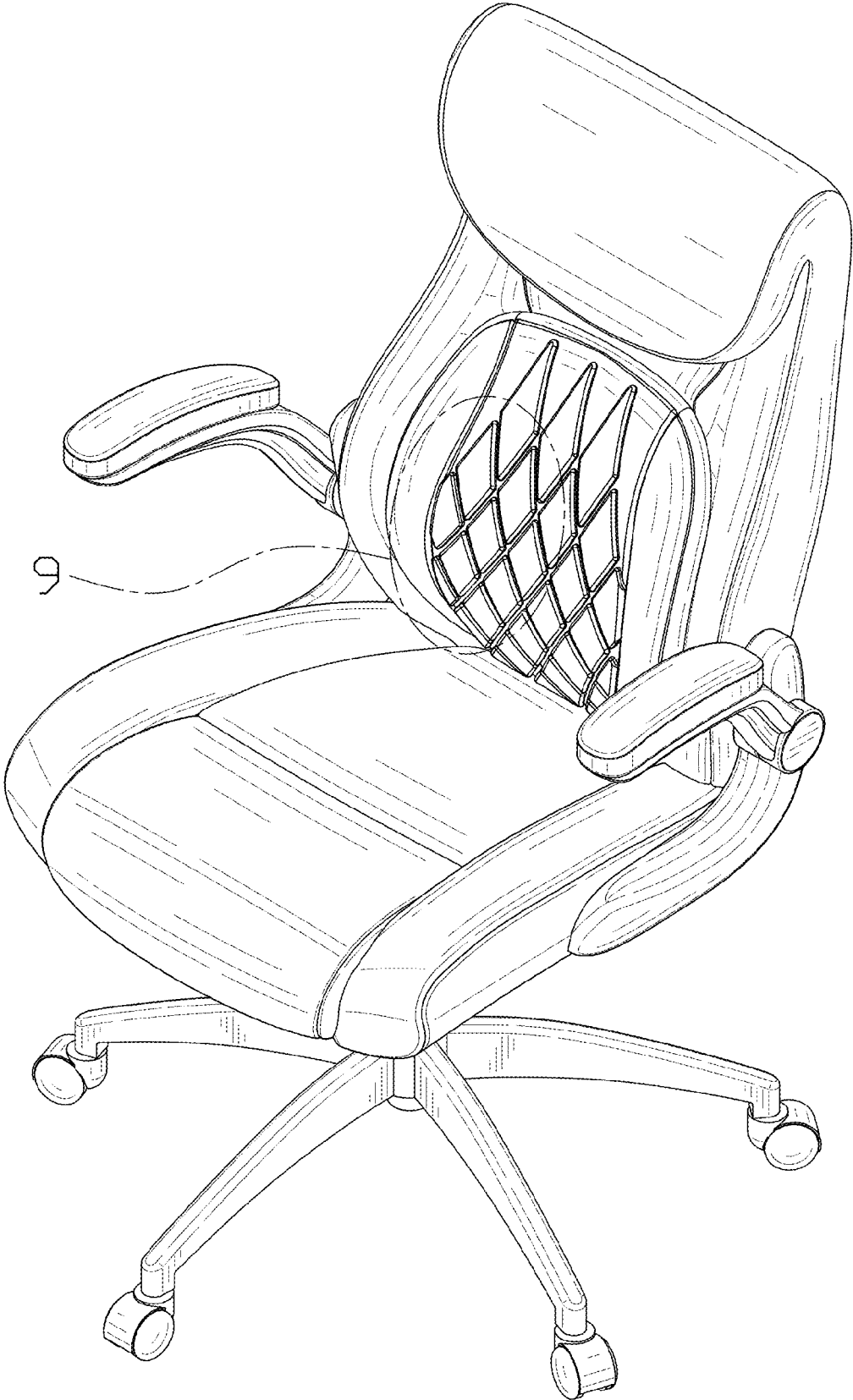


FIG. 1

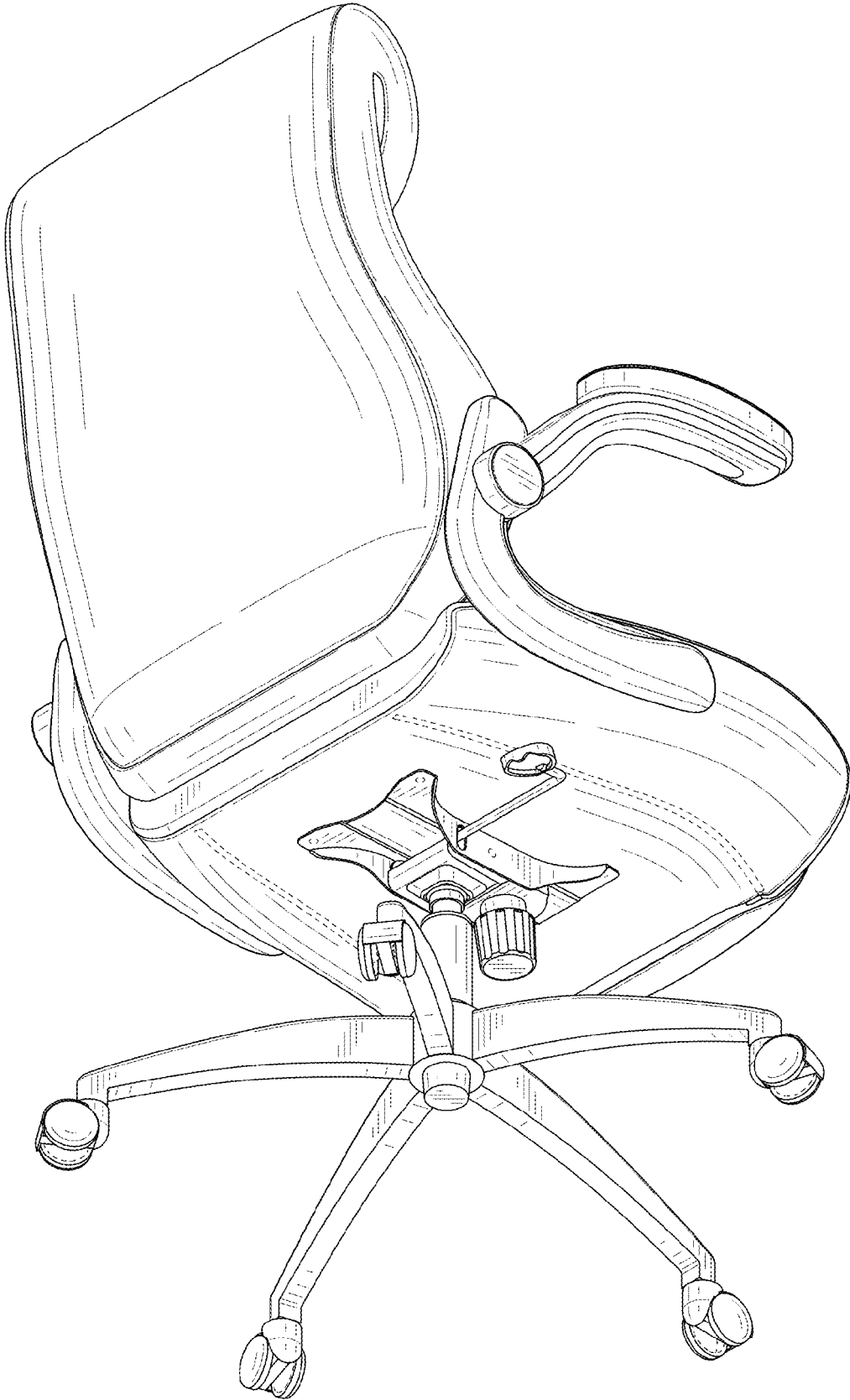


FIG. 2

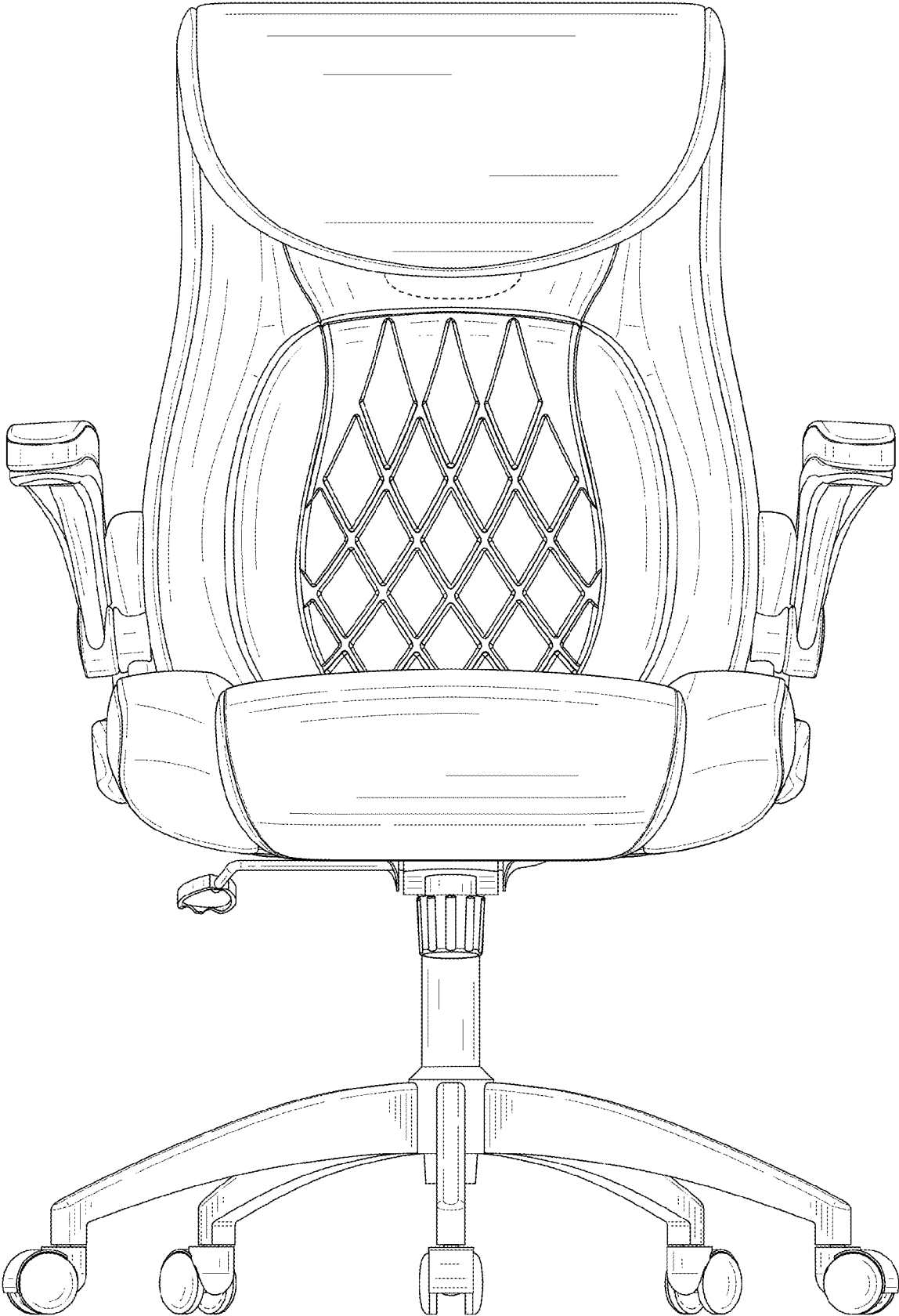


FIG. 3

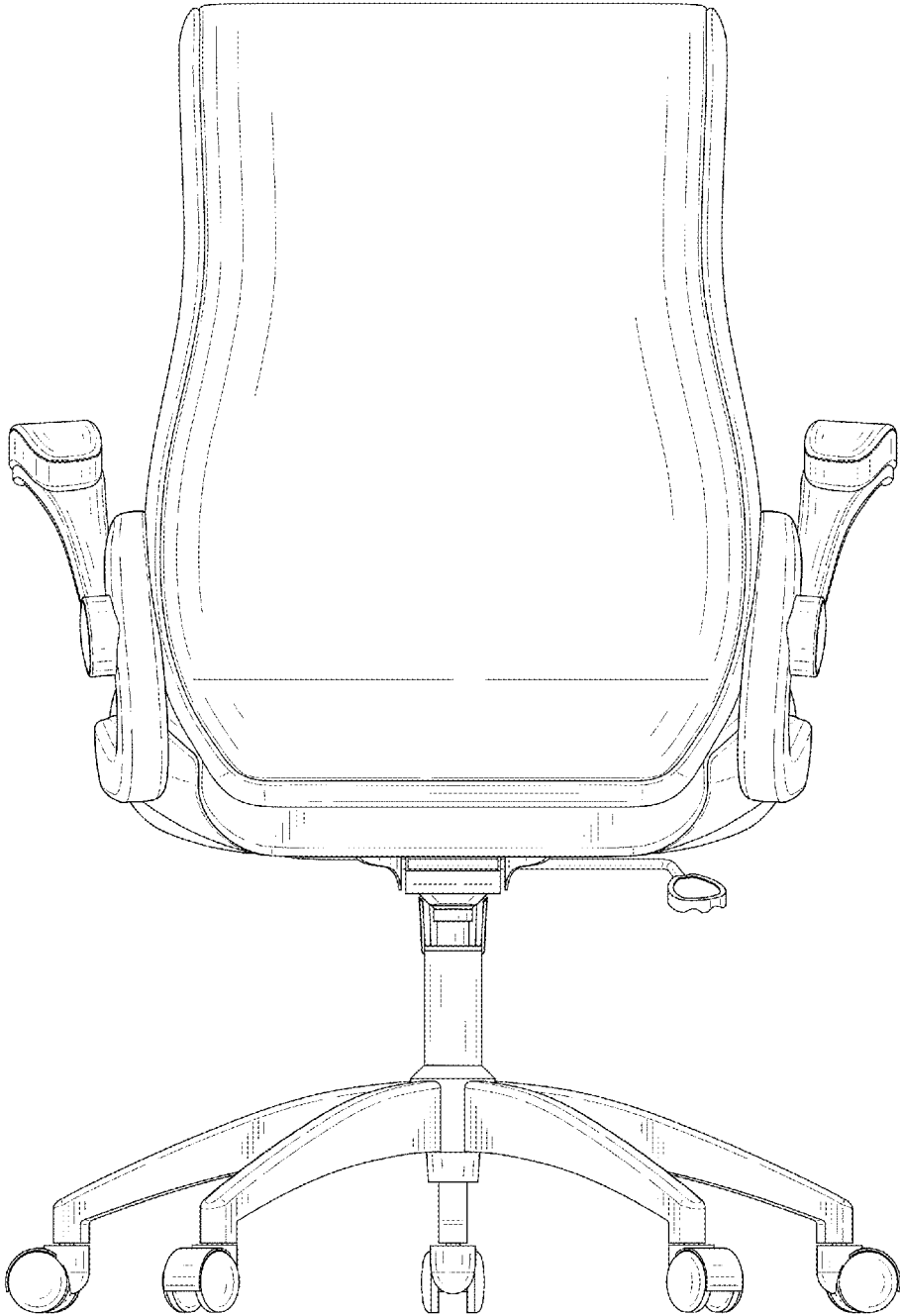


FIG. 4



FIG. 5



FIG. 6

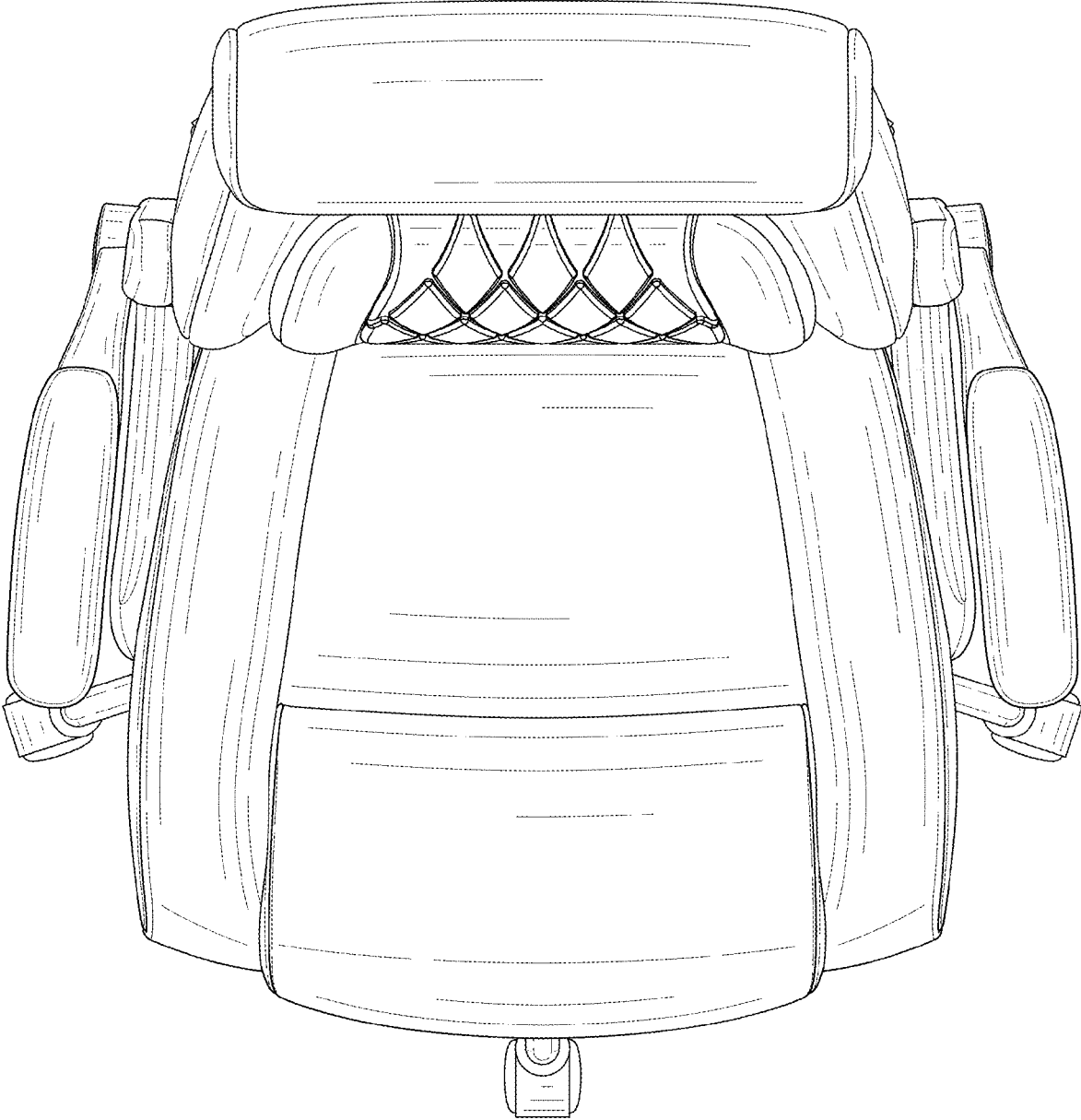


FIG. 7

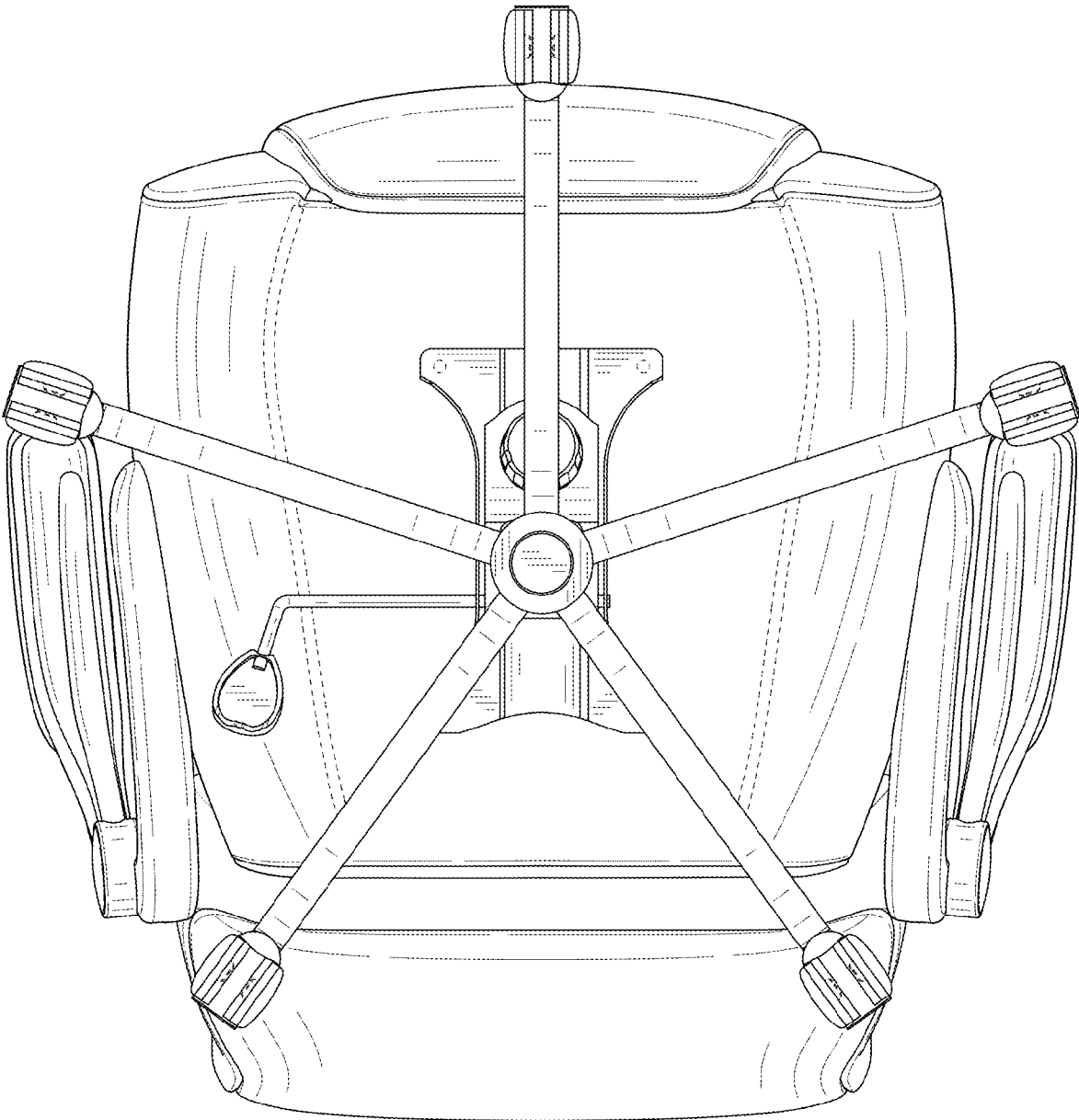


FIG. 8

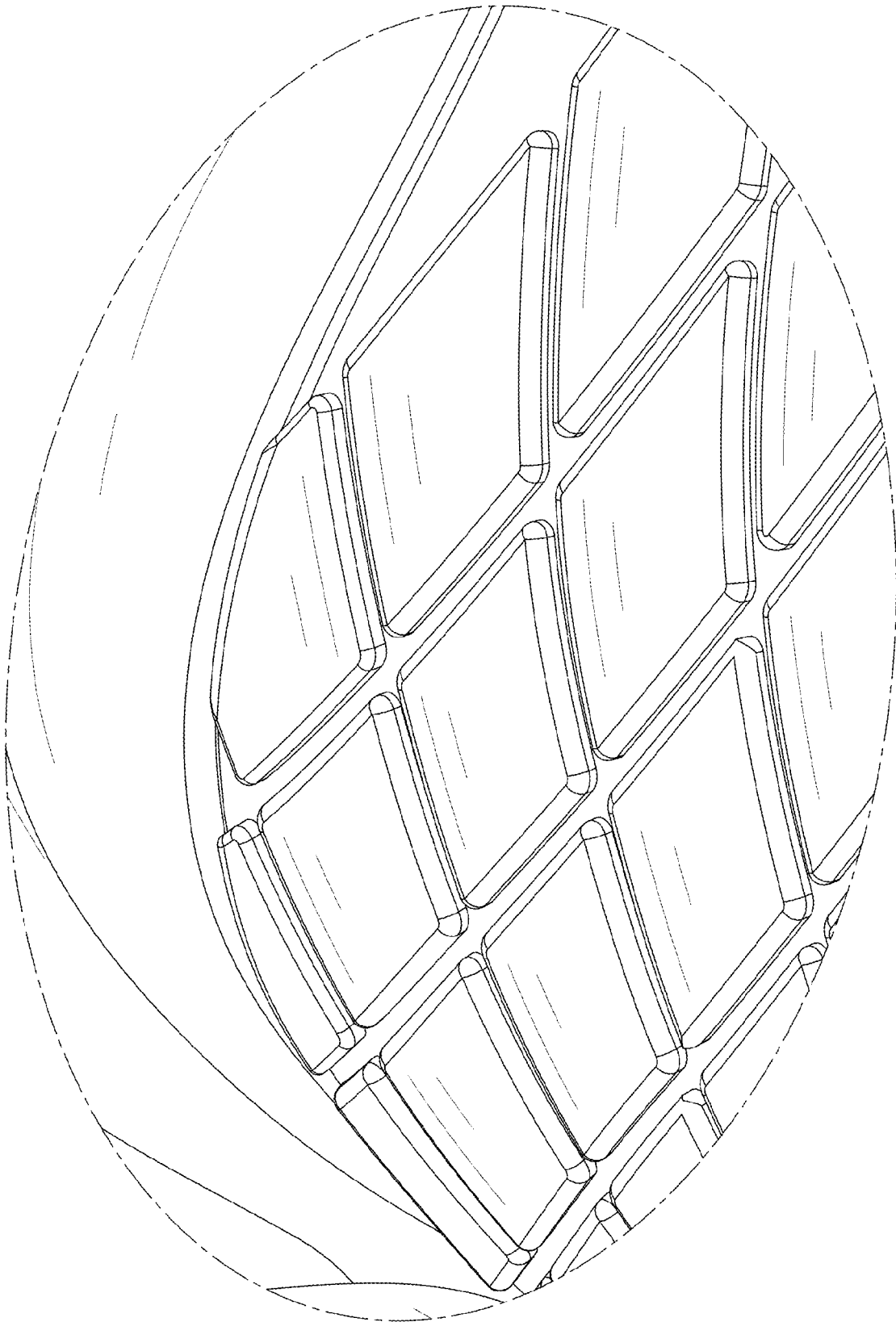


FIG. 9