



US00D352207S

United States Patent [19]

[11] Patent Number: **Des. 352,207**

Jaworski

[45] Date of Patent: **** Nov. 8, 1994**

[54] **BOWL**

[75] Inventor: **Michele M. Jaworski**, New Castle, Pa.

[73] Assignee: **The Pfaltzgraff Co.**, York, Pa.

[**] Term: **14 Years**

[21] Appl. No.: **881,563**

[22] Filed: **May 14, 1992**

[52] U.S. Cl. **D7/585; D7/587; D7/588; D7/565**

[58] **Field of Search** **D7/500, 503, 509, 518, D7/529, 533, 536, 560, 566, 568, 570, 574, 584, 586, 587, 588, 396.4, 396.5**

D. 337,025 7/1993 Merwin et al. **D7/545 X**
 2,119,342 5/1938 Morris **D7/570 X**

FOREIGN PATENT DOCUMENTS

129425 10/1948 Australia **D7/396.5**

OTHER PUBLICATIONS

Jackson China Swirl Pattern Catalog.
 Syracuse China Bowl, Grapefruit #6 Winthrop.

Primary Examiner—Alan P. Douglas
Assistant Examiner—M. N. Pandozzi
Attorney, Agent, or Firm—Cushman, Darby & Cushman

[57] CLAIM

The ornamental design for bowl, as shown and described.

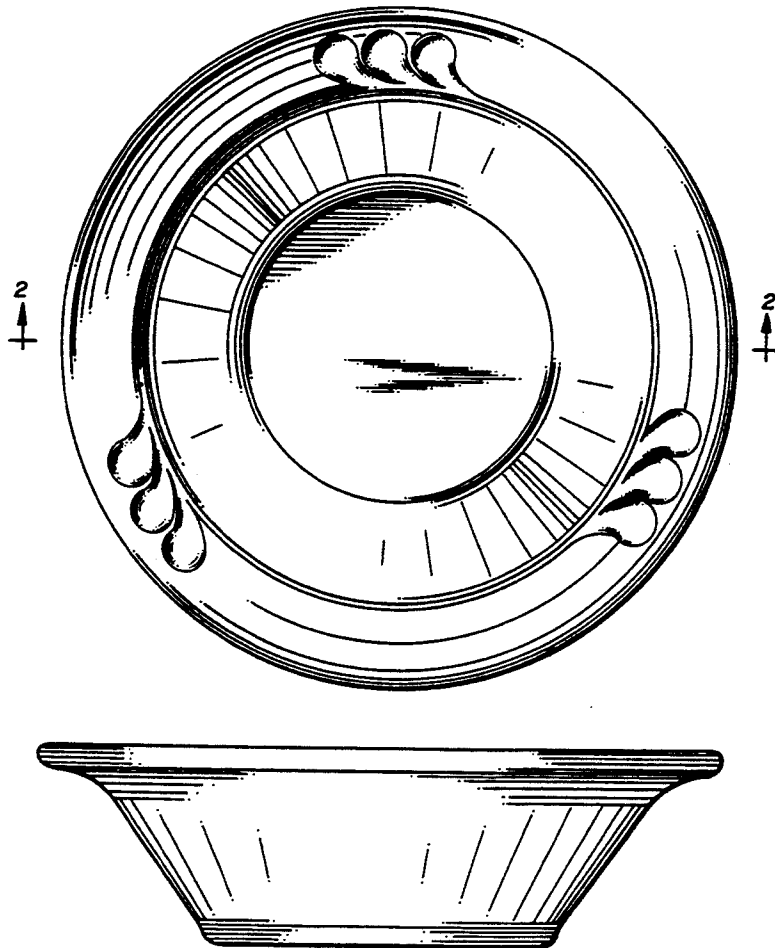
[56] References Cited

U.S. PATENT DOCUMENTS

D. 22,485 5/1893 Tomey **D7/396.5**
 D. 83,899 4/1931 Graham **D7/568**
 D. 187,157 2/1960 Anderson **D7/570**
 D. 309,551 7/1990 Seitz **D7/585**
 D. 312,750 12/1990 Unger **D7/586 X**
 D. 313,333 1/1991 Unger **D7/585**
 D. 324,798 3/1992 Wonder **D7/585**

DESCRIPTION

FIG. 1 is a top plan view of a bowl showing my new design;
 FIG. 2 is a sectional view thereof taken along line 2—2 of FIG. 1;
 FIG. 3 is a bottom plan view thereof; and,
 FIG. 4 is a side elevational view, all sides being the same.



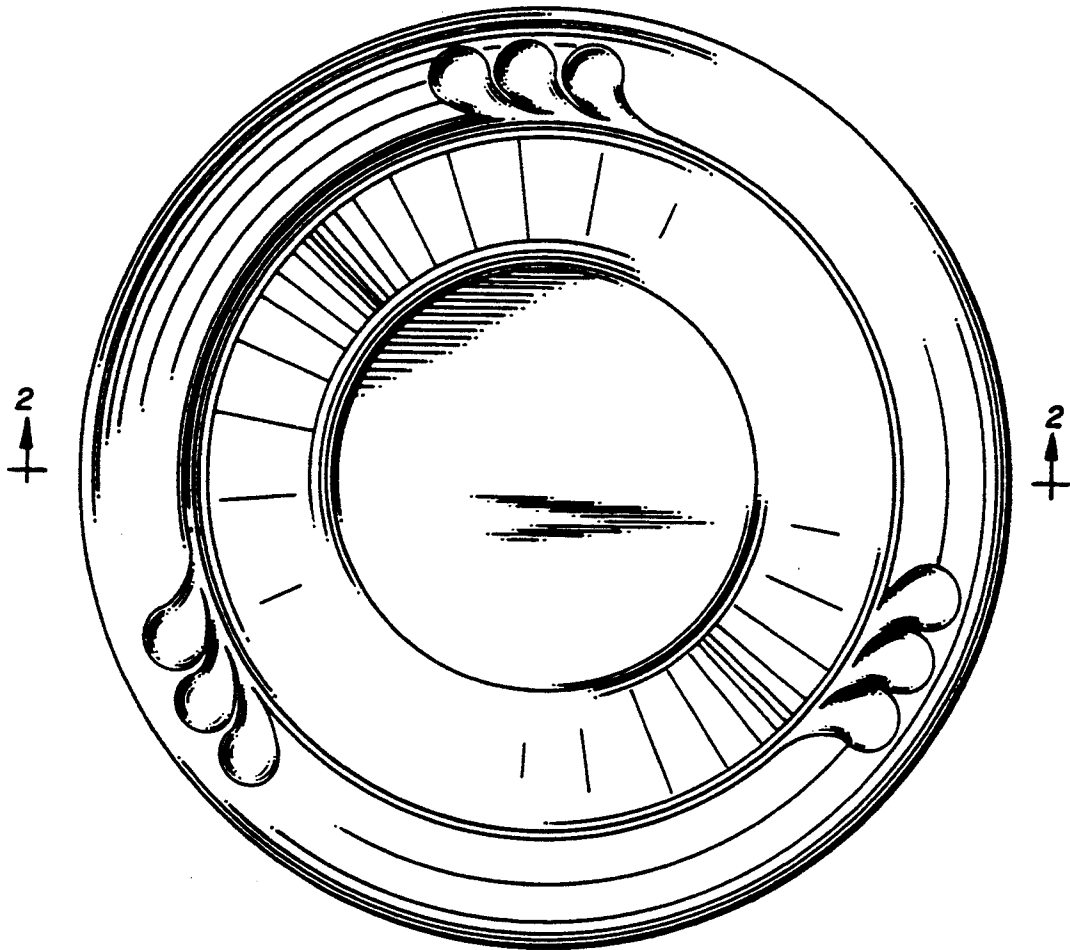


FIG. 1

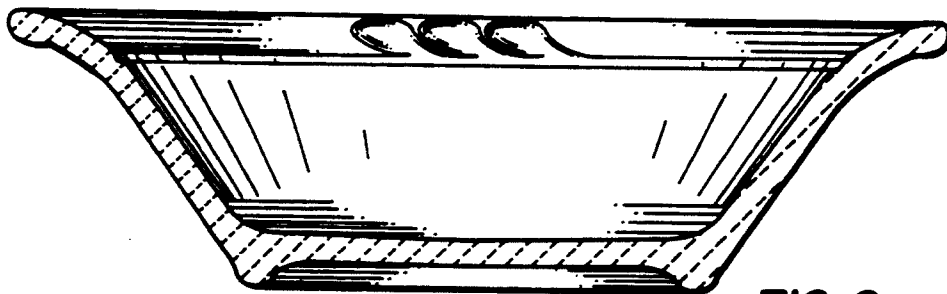


FIG. 2

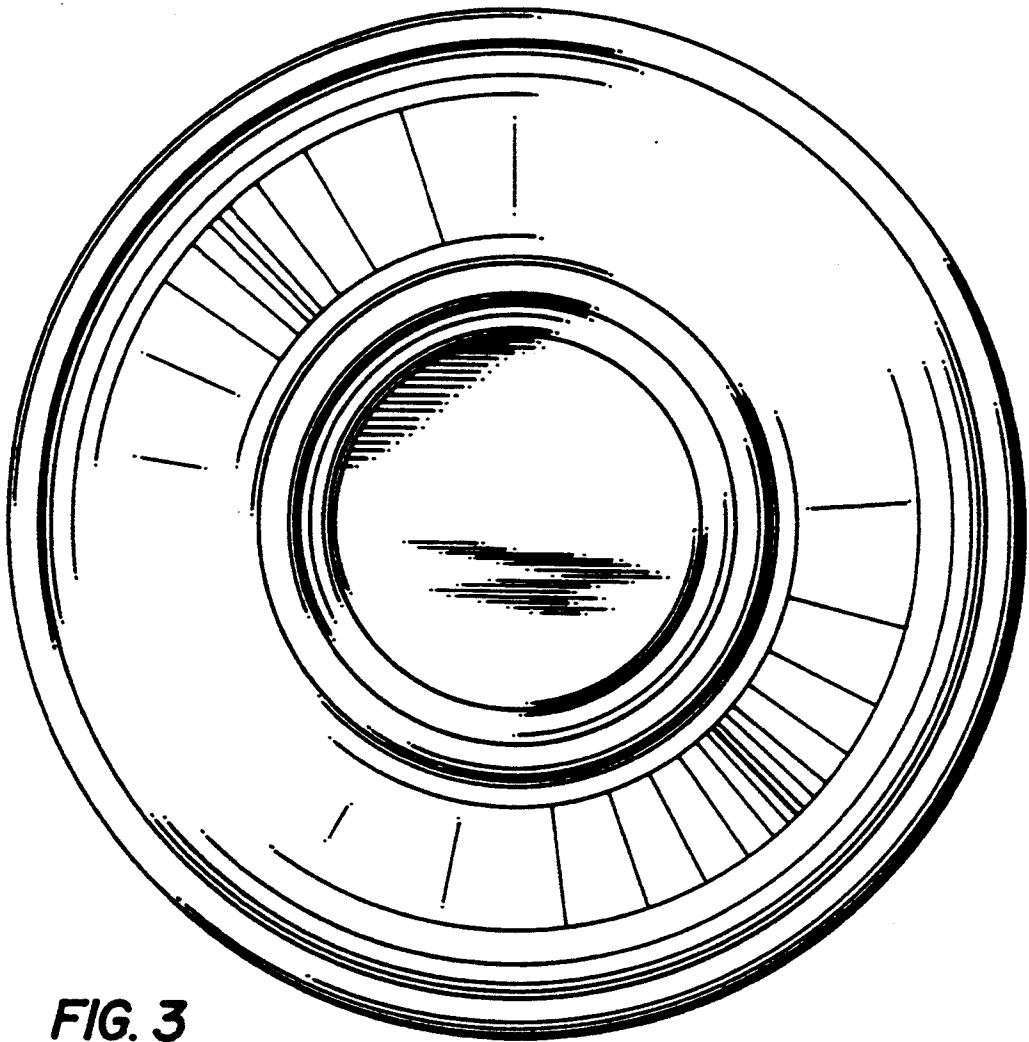


FIG. 3

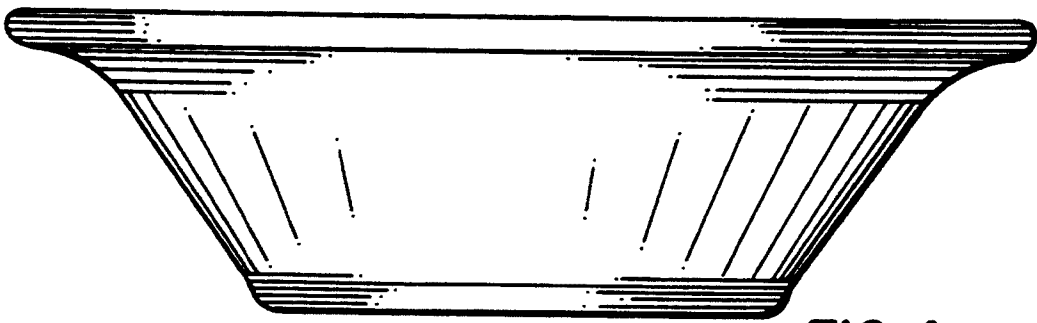


FIG. 4