



US00D895069S

(12) **United States Design Patent**
Zhang

(10) **Patent No.:** **US D895,069 S**

(45) **Date of Patent:** **** Sep. 1, 2020**

(54) **FAUCET**

(71) Applicant: **WENZHOU BEIJIALAI SANITARY WARE CO., LTD.**, Wenzhou (CN)

(72) Inventor: **Hua Zhang**, Chongqing (CN)

(73) Assignee: **WENZHOU BEIJIALAI SANITARY WARE CO., LTD.**, Wenzhou (CN)

(**) Term: **15 Years**

(21) Appl. No.: **29/734,732**

(22) Filed: **May 15, 2020**

(51) **LOC (12) Cl.** **23-01**

(52) **U.S. Cl.**
USPC **D23/238**

(58) **Field of Classification Search**
USPC D23/238, 252, 239-243, 250, 254;
D8/307-308

See application file for complete search history.

(56) **References Cited**

U.S. PATENT DOCUMENTS

D495,780 S * 9/2004 Aubry D23/252
D538,397 S * 3/2007 Painter D23/238

D568,967 S * 5/2008 Williams D23/250
D684,667 S * 6/2013 Yu D23/238
D692,107 S * 10/2013 Yu D23/238
D793,536 S 8/2017 Fritz et al.
D811,545 S 2/2018 Garland
D841,129 S 2/2019 Garland et al.
D858,717 S * 9/2019 Chen D23/255
D883,437 S * 5/2020 Massaud D23/238

* cited by examiner

Primary Examiner — Robert A Delehanty

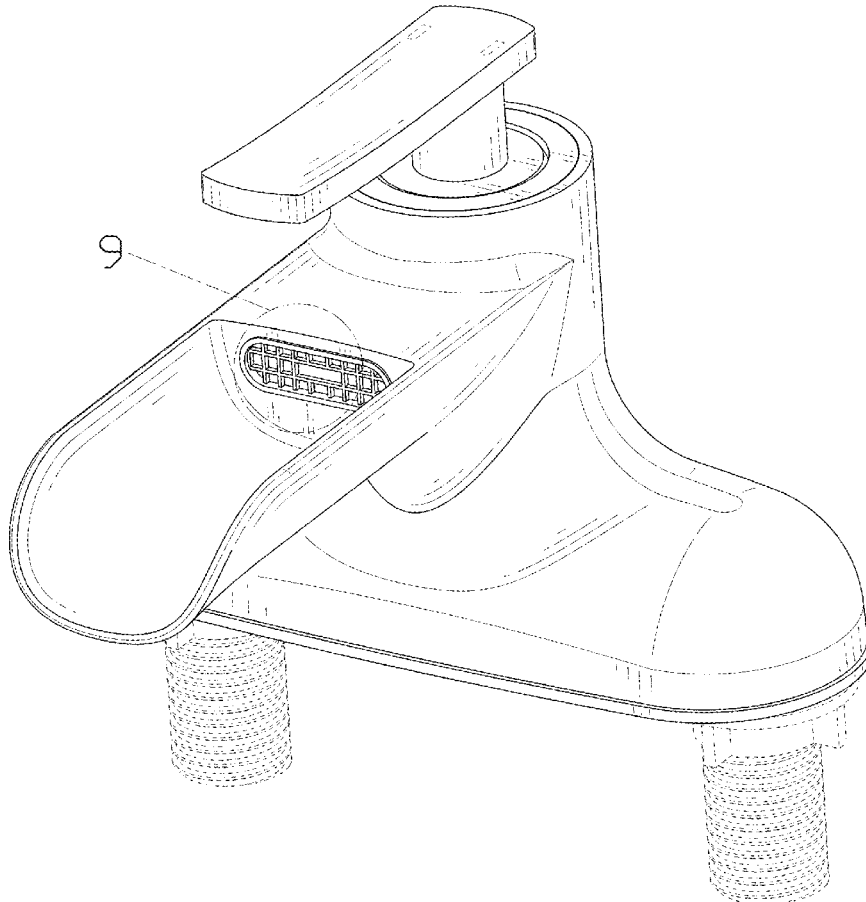
(57) **CLAIM**

The ornamental design for a faucet, as shown and described.

DESCRIPTION

FIG. 1 is a perspective view of a faucet showing my new design;
FIG. 2 is another perspective view thereof;
FIG. 3 is a front elevational view thereof;
FIG. 4 is a rear elevational view thereof;
FIG. 5 is a left side elevational view thereof;
FIG. 6 is a right side elevational view thereof;
FIG. 7 is a top plan view thereof;
FIG. 8 is a bottom plan view thereof; and,
FIG. 9 is an enlarged view of portion 9 shown in FIG. 1.
The broken lines in the drawings depict portions of the faucet that form no part of the claimed design.

1 Claim, 9 Drawing Sheets



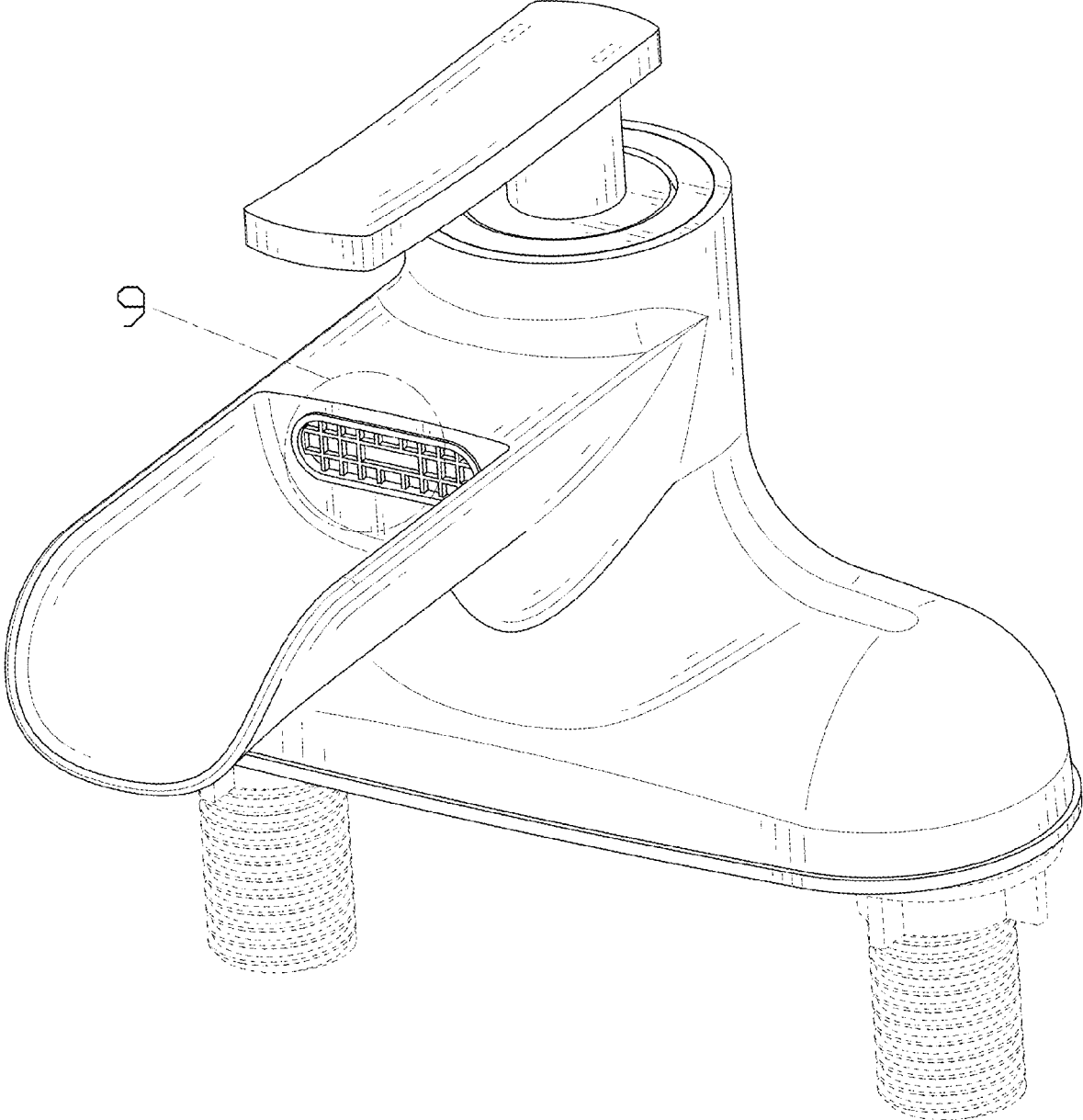


FIG. 1

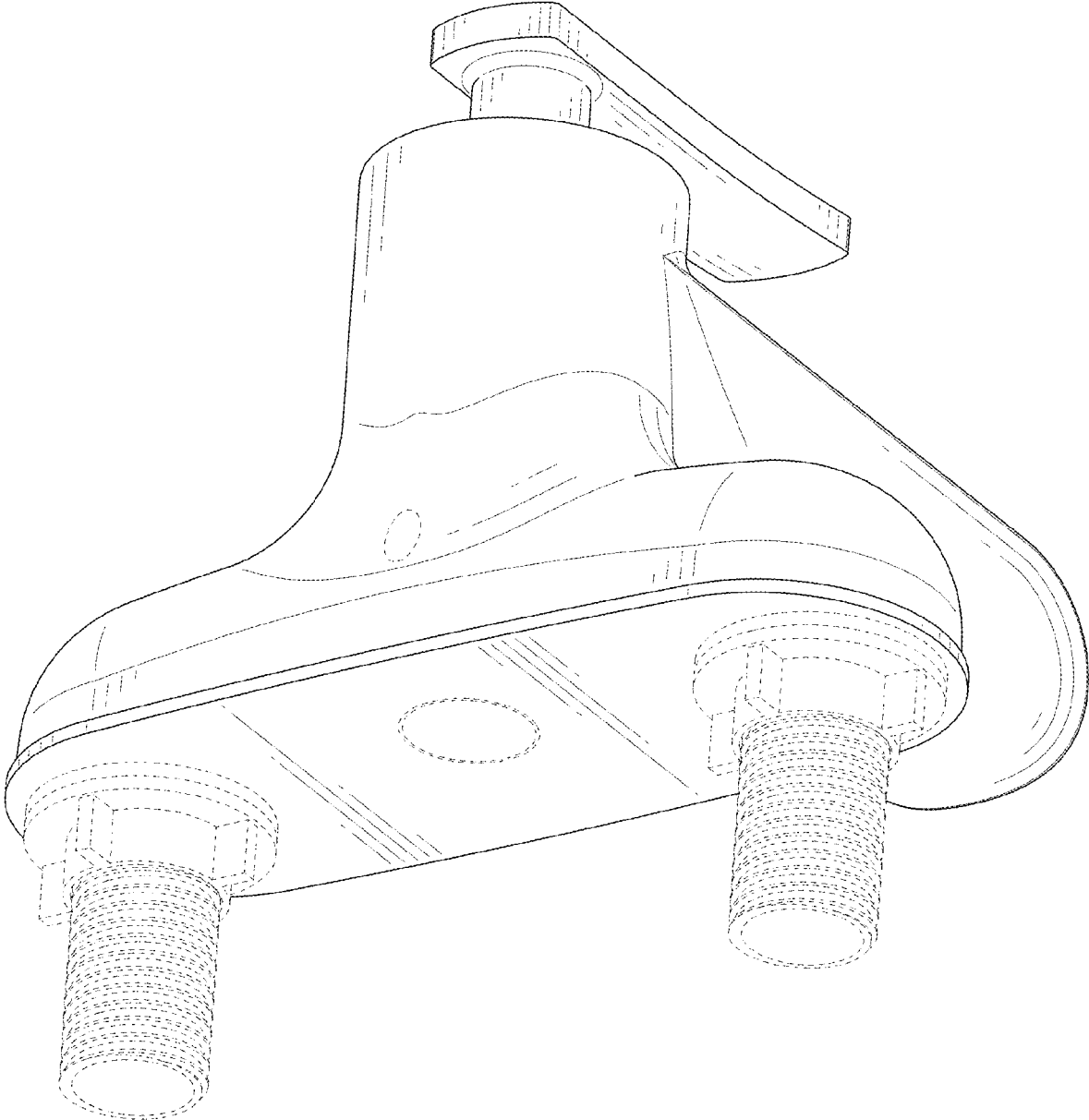


FIG. 2

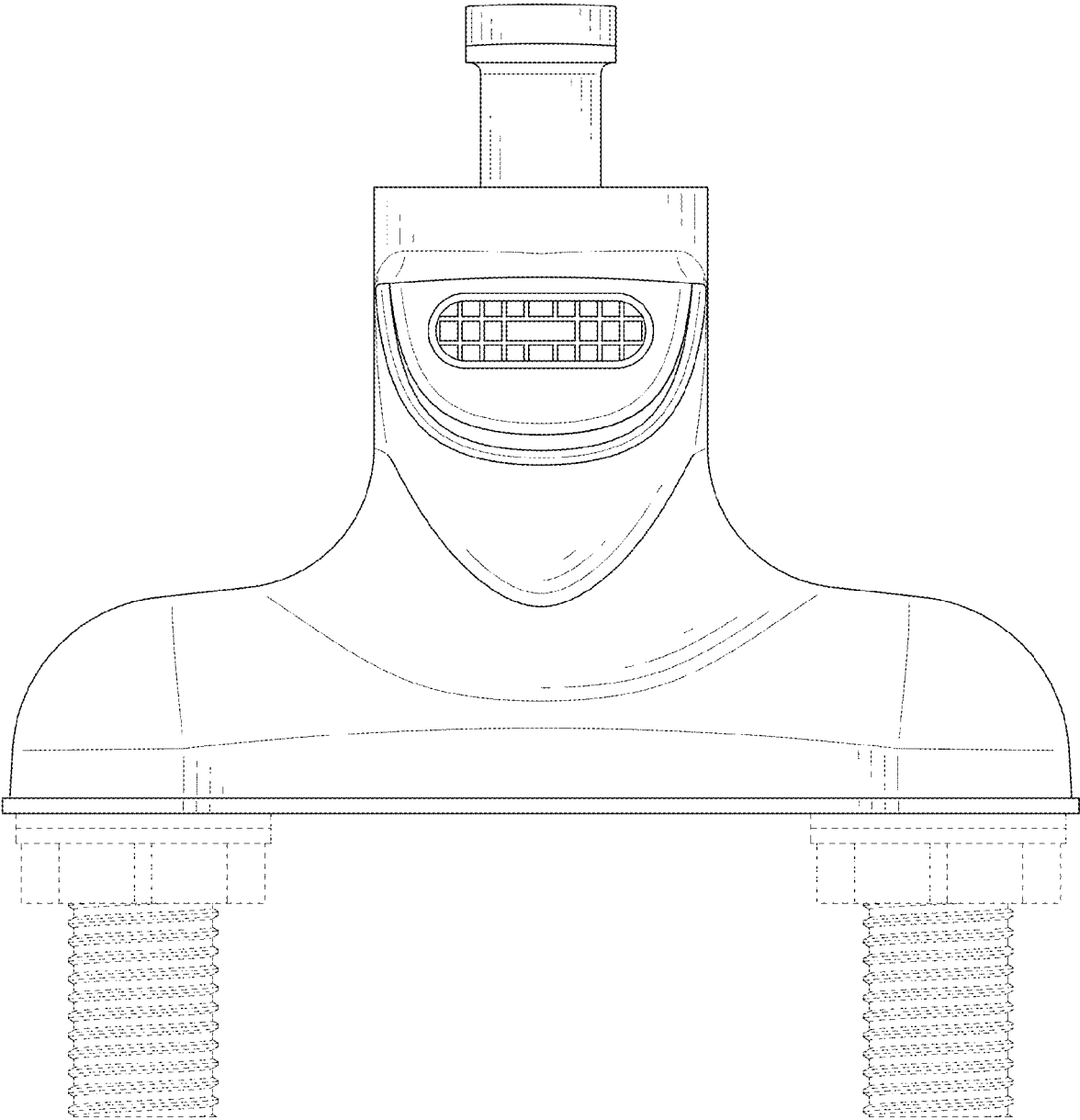


FIG. 3

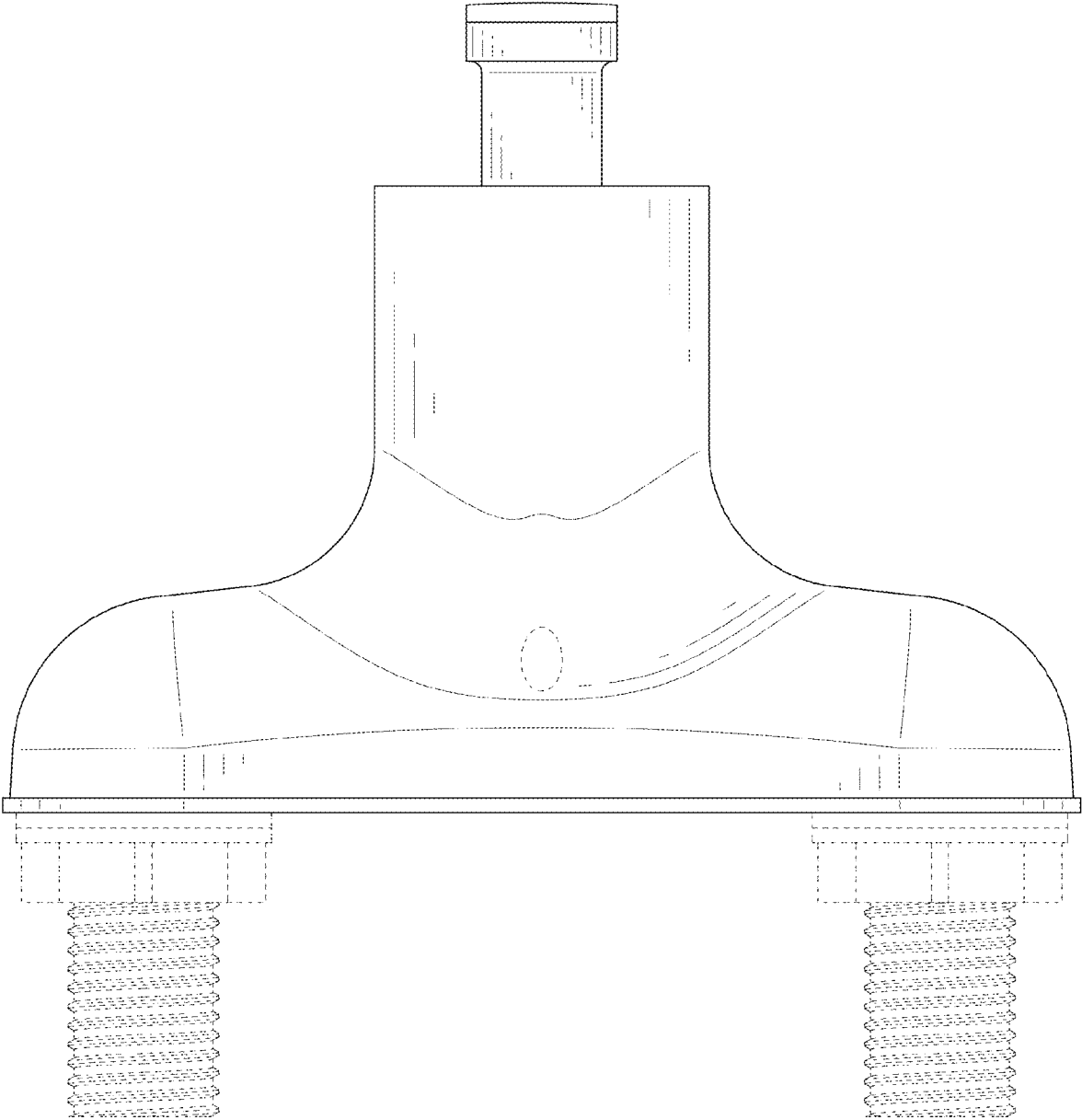


FIG. 4

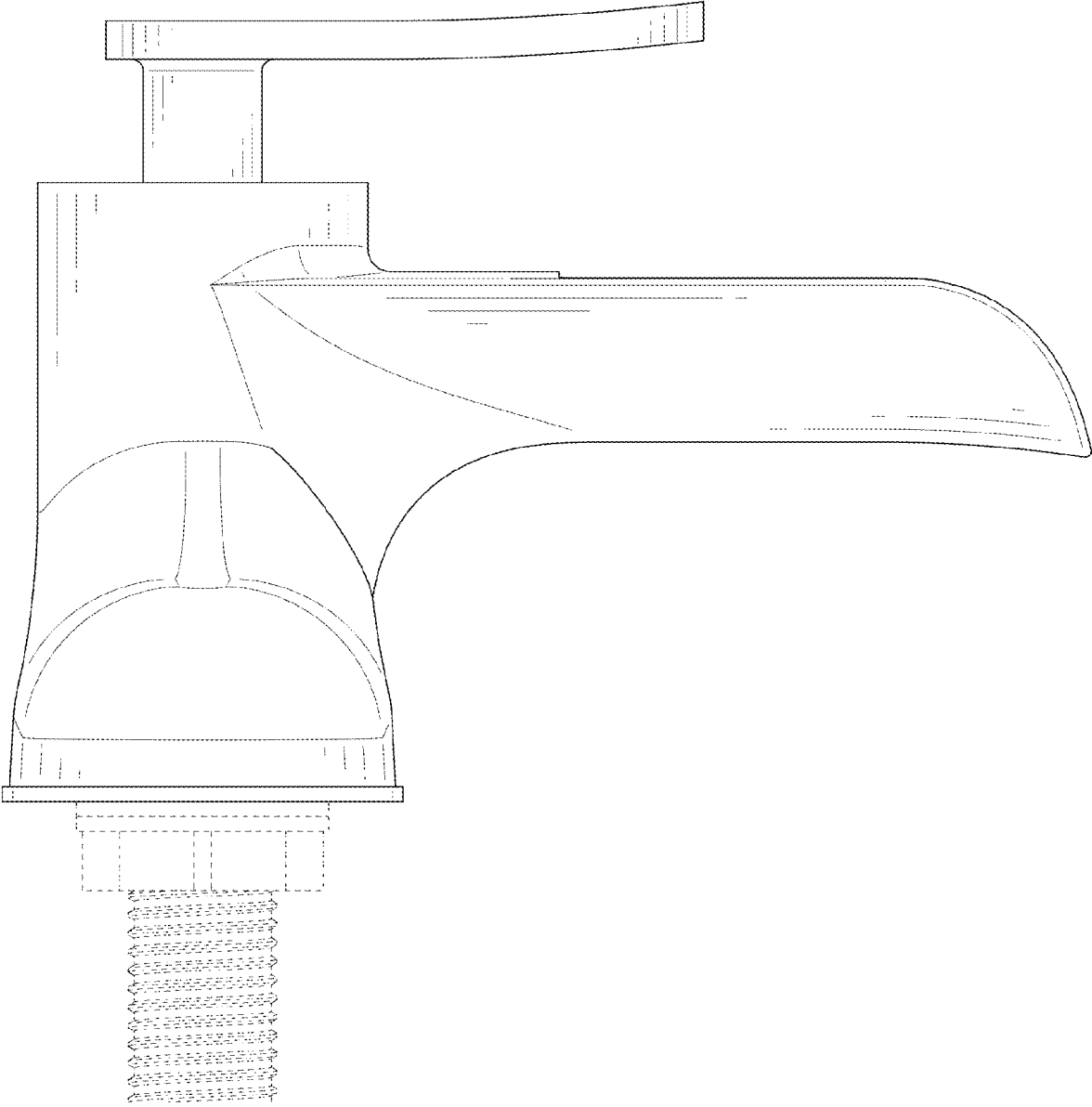


FIG. 5

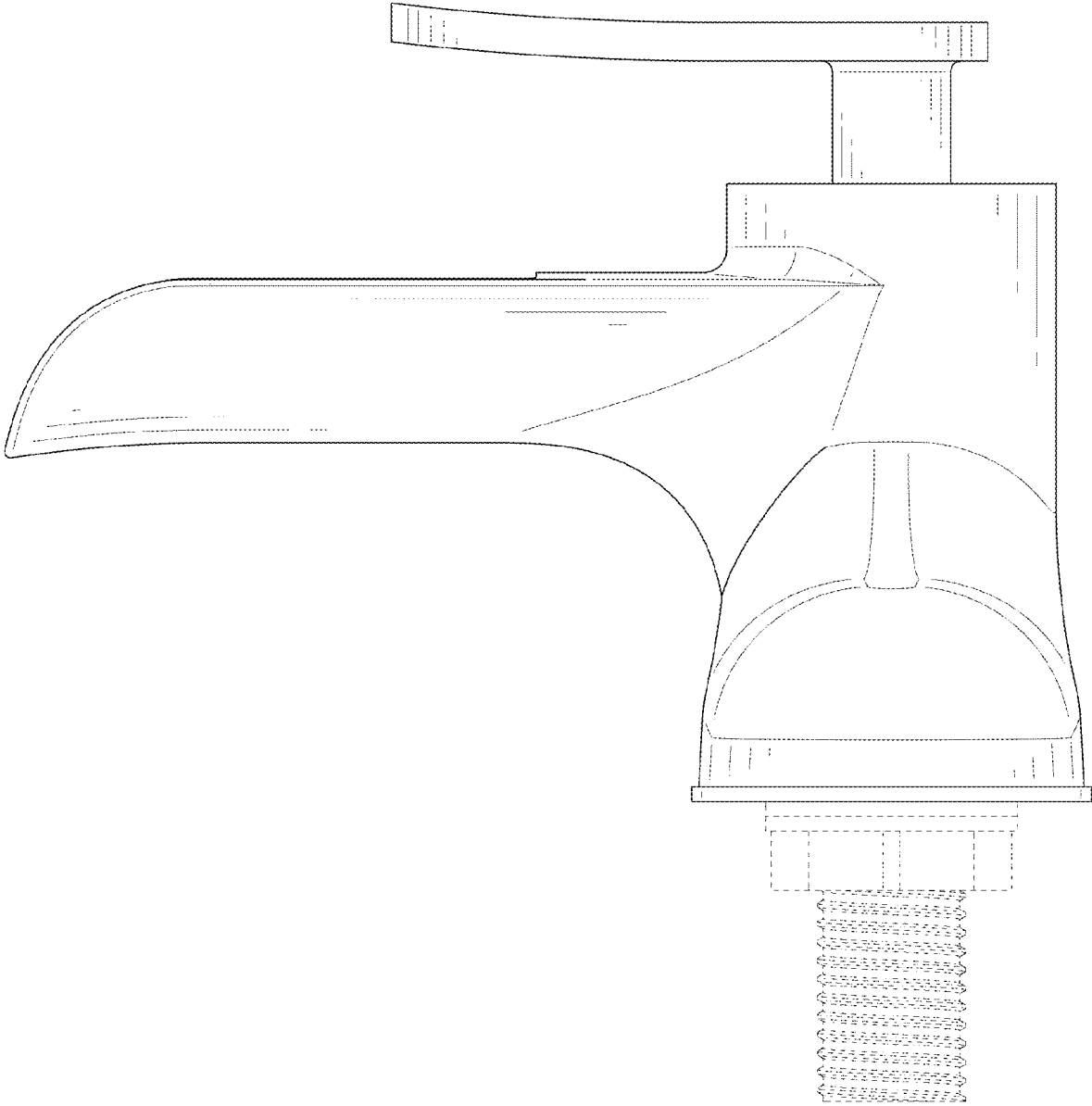


FIG. 6

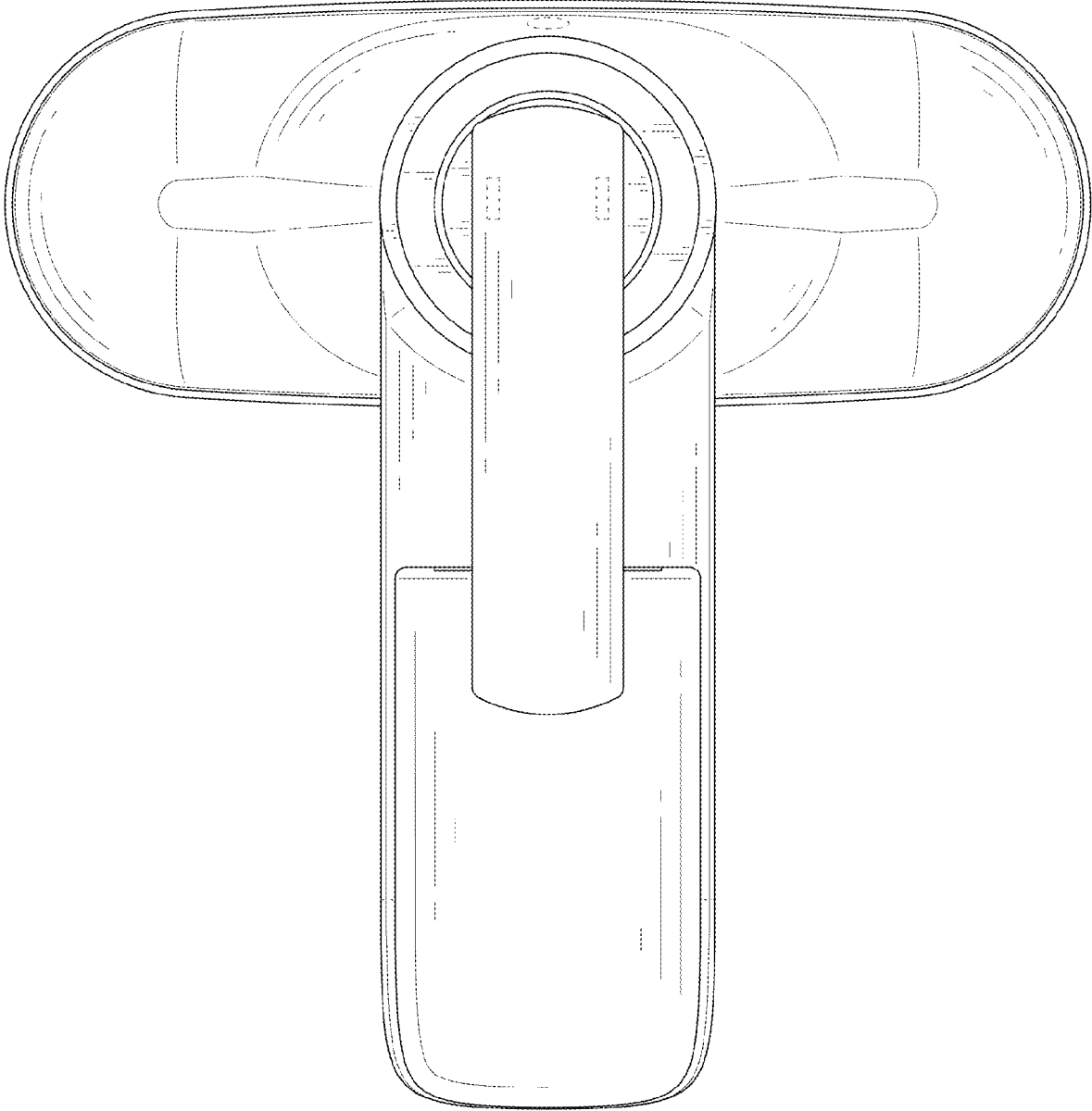


FIG. 7

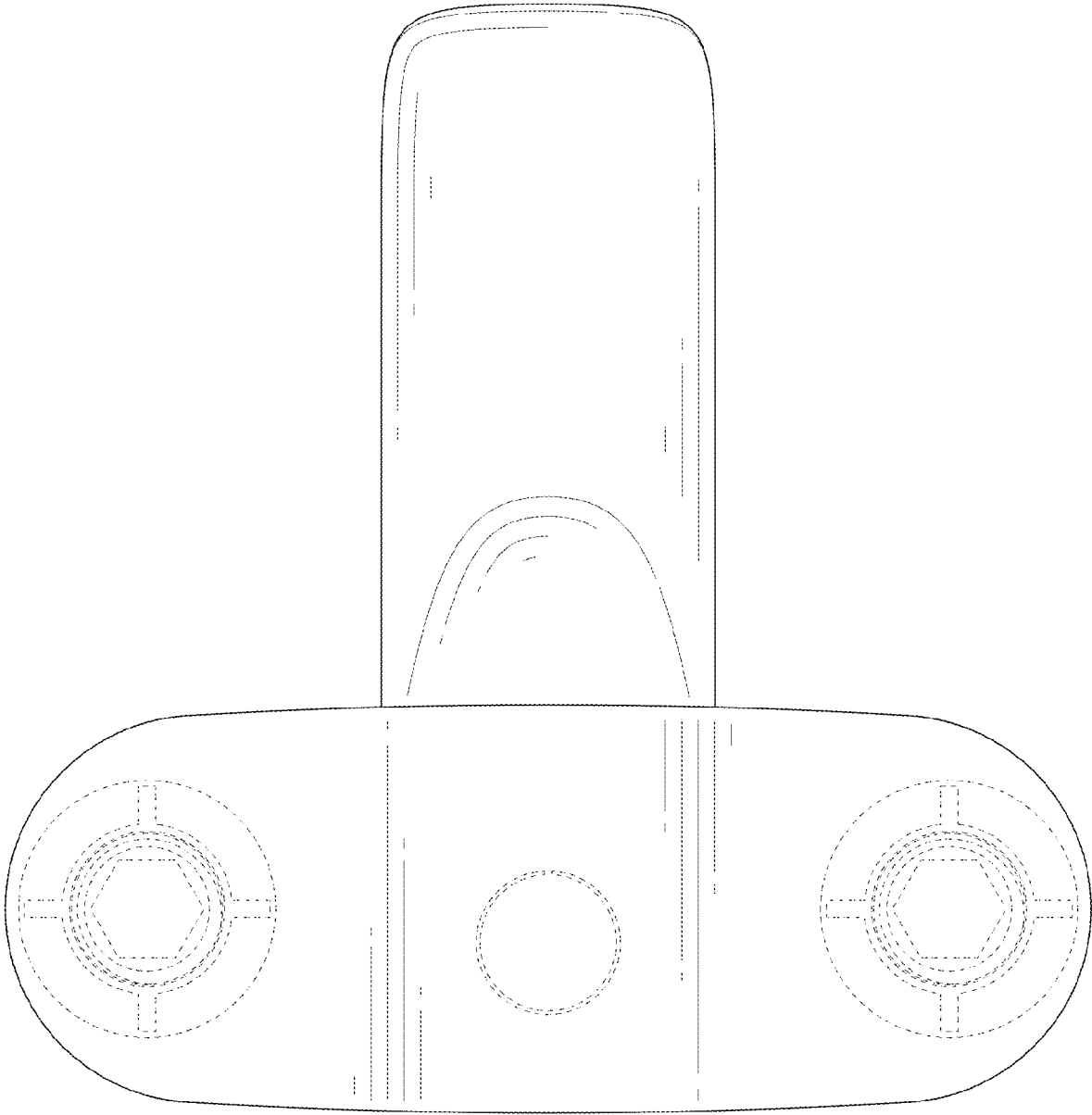


FIG. 8

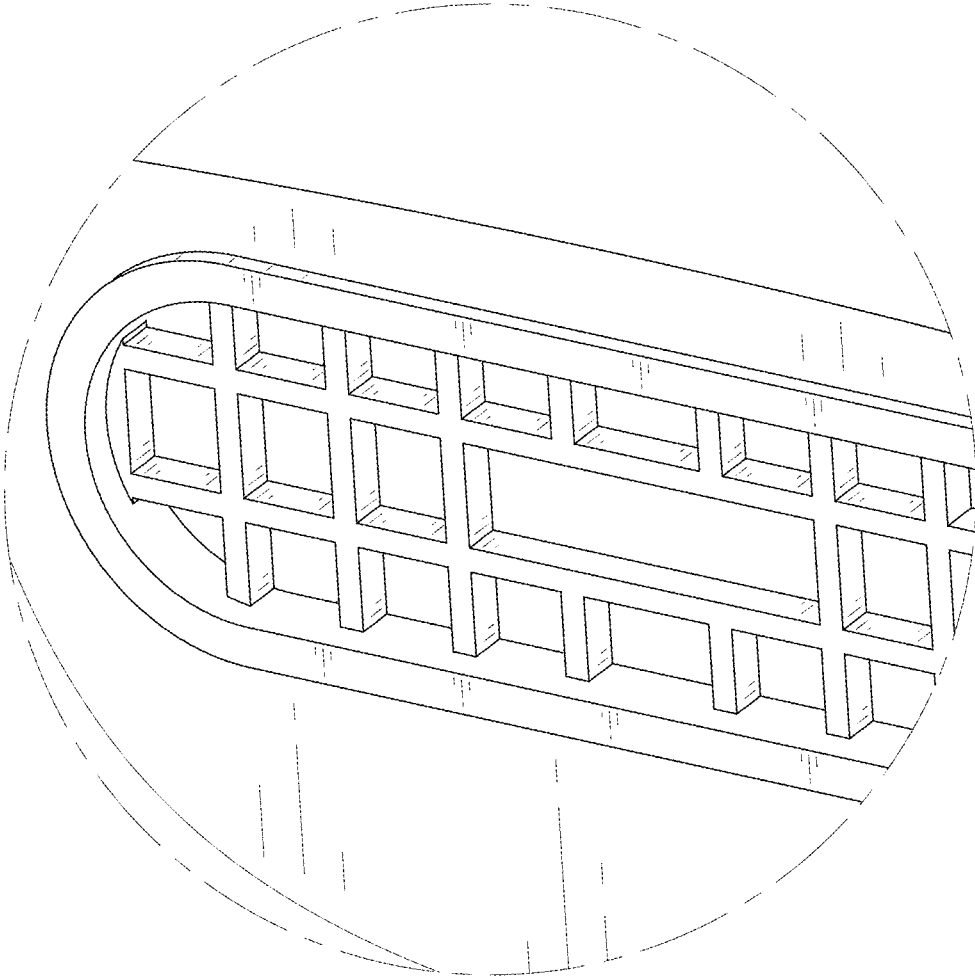


FIG. 9