



US00D799229S

(12) **United States Design Patent**  
**Pan**

(10) **Patent No.:** **US D799,229 S**

(45) **Date of Patent:** **\*\* Oct. 10, 2017**

(54) **CHAIR**

(71) Applicant: **Oasyschair Co., Ltd.**, Tainan (TW)

(72) Inventor: **Toung-Chun Pan**, Tainan (TW)

(73) Assignee: **Oasyschair Co., Ltd.**, Tainan (TW)

(\*\*) Term: **15 Years**

(21) Appl. No.: **29/572,165**

(22) Filed: **Jul. 26, 2016**

(51) **LOC (10) Cl.** ..... **06-01**

(52) **U.S. Cl.** ..... **D6/364**  
USPC .....

(58) **Field of Classification Search**  
USPC ..... D6/334, 336, 344, 345, 348-350, 352,  
D6/353, 355, 358, 360, 368-371, 373,  
D6/375, 379-381, 677, 692.3, 708,  
D6/708.16, 717, 364; D11/184;  
D21/521; D23/292  
CPC .. A47C 3/04; A47C 3/34; A47C 9/007; A47C  
7/506; A47C 7/52; A47D 1/00  
See application file for complete search history.

(56) **References Cited**

**U.S. PATENT DOCUMENTS**

D225,283 S *	11/1972	Axelrod .....	D6/677
4,148,524 A *	4/1979	Guyton .....	A47C 3/34
			248/188.5
D436,270 S *	1/2001	Kane .....	D6/692.3
D458,765 S *	6/2002	Barbieri .....	D6/349
D486,313 S *	2/2004	Manzali .....	D6/360
D487,982 S *	4/2004	Lee .....	A47C 9/007
			D6/360
D542,389 S *	5/2007	Kakahana .....	D23/292
D576,415 S *	9/2008	Li .....	D6/360
D581,705 S *	12/2008	Li .....	D6/692.3
D639,082 S *	6/2011	Pengelly .....	D6/360
D647,713 S *	11/2011	Unterrainer .....	D6/349
D668,464 S *	10/2012	Du .....	D6/353

D683,975 S *	6/2013	Starck .....	D6/349
D741,073 S *	10/2015	Keen .....	D6/349
D746,073 S *	12/2015	Elmaleh .....	D6/349
D748,924 S *	2/2016	Walser .....	D6/352
2007/0290541 A1 *	12/2007	Tsai .....	A47C 7/52
			297/423.1
2011/0089730 A1 *	4/2011	Higgs .....	A47C 3/04
			297/239

**OTHER PUBLICATIONS**

“Glossy Yellow Stylish Coco Designer Bar Stool” Jun. 30, 2012, buystools.co.uk, site visited Jul. 17, 2017 <<http://www.buystools.co.uk/blog/page/23>>.\*  
“Arena-T-152 Bar Stool Wine Red” Jan. 6, 2016, cmmarena.com, site visited Jul. 17, 2017 <<http://www.cmmarena.com/Furniture/Special-Furniture>>.\*

\* cited by examiner

*Primary Examiner* — Kevin K Rudzinski  
*Assistant Examiner* — Paul D Bohannon  
(74) *Attorney, Agent, or Firm* — Alan D. Kamrath;  
Kamrath IP Lawfirm, P.A.

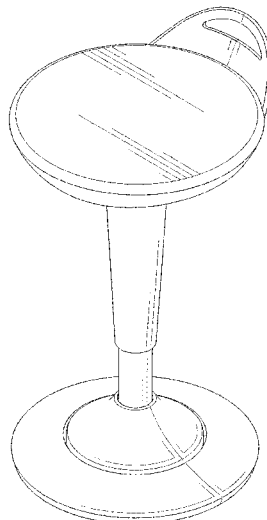
(57) **CLAIM**

The ornamental design for a chair, as shown and described.

**DESCRIPTION**

FIG. 1 is a perspective view of a chair showing my new design;  
FIG. 2 is a front side elevational view thereof;  
FIG. 3 is a rear side elevational view thereof;  
FIG. 4 is a left side elevational view thereof;  
FIG. 5 is a right side elevational view thereof;  
FIG. 6 is a top plan view thereof; and,  
FIG. 7 is a bottom plan view thereof.  
The broken line showing of the bottom of the chair is for the purpose of illustrating portions of the chair that form no part of the claimed design.

**1 Claim, 7 Drawing Sheets**



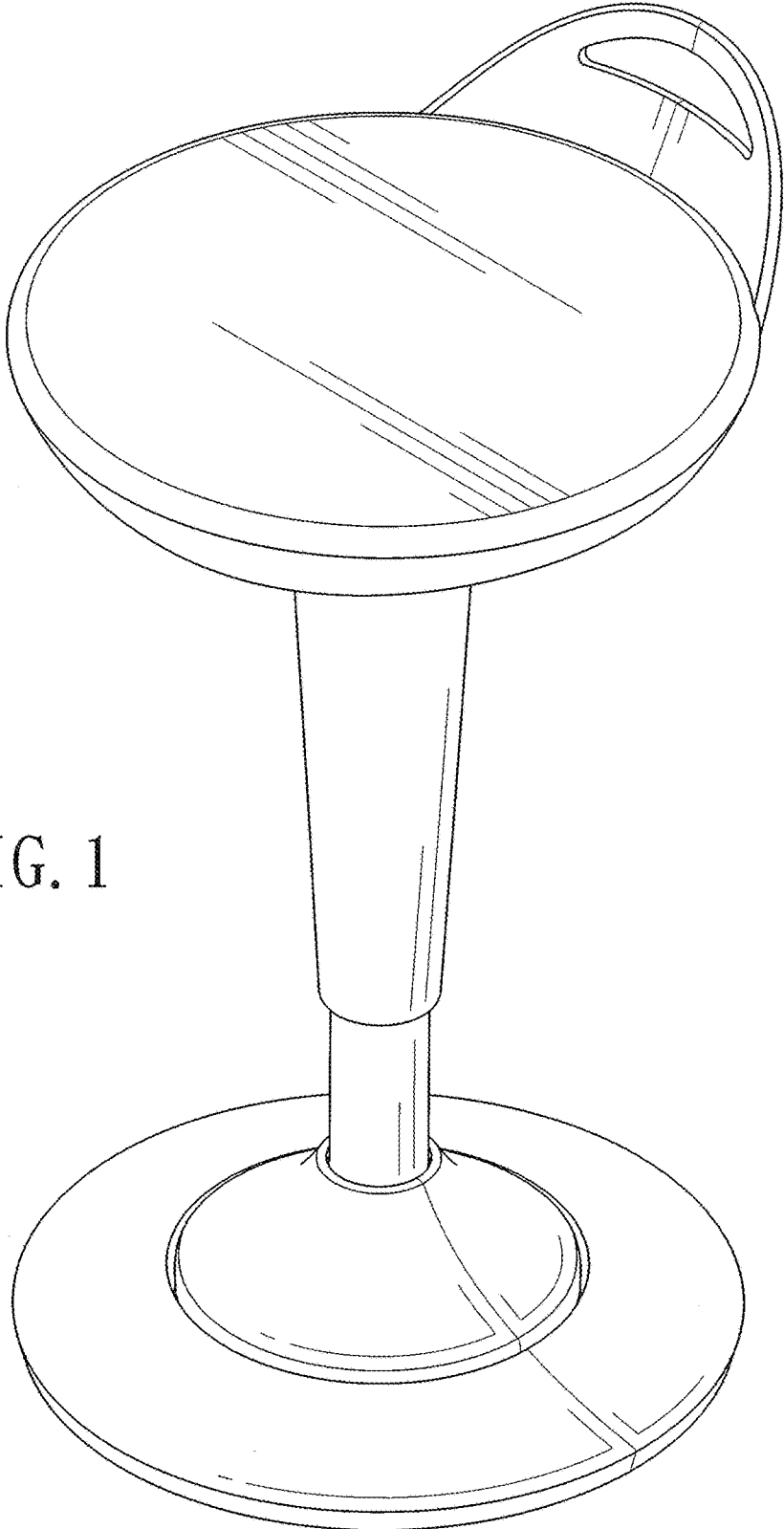


FIG. 1

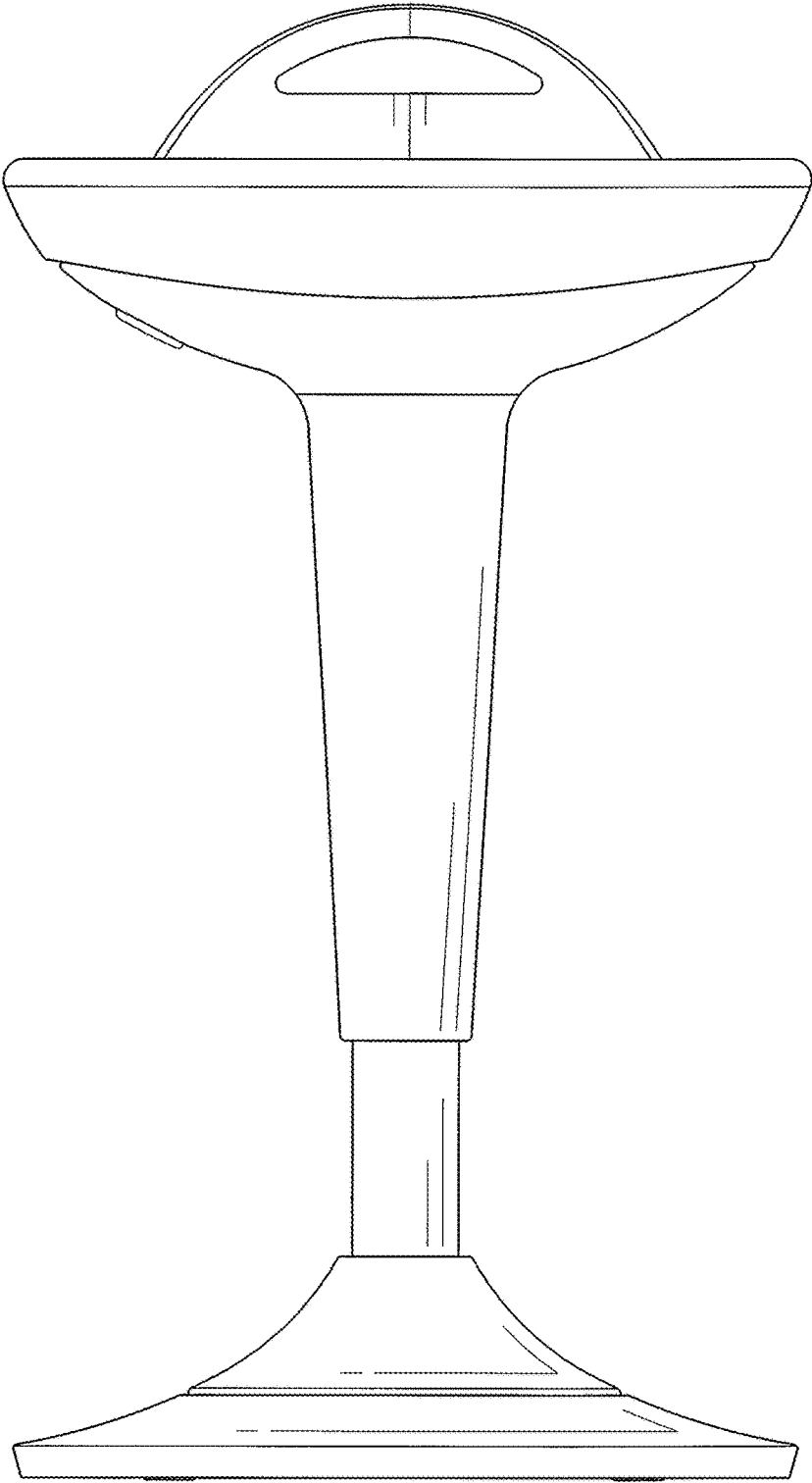


FIG. 2

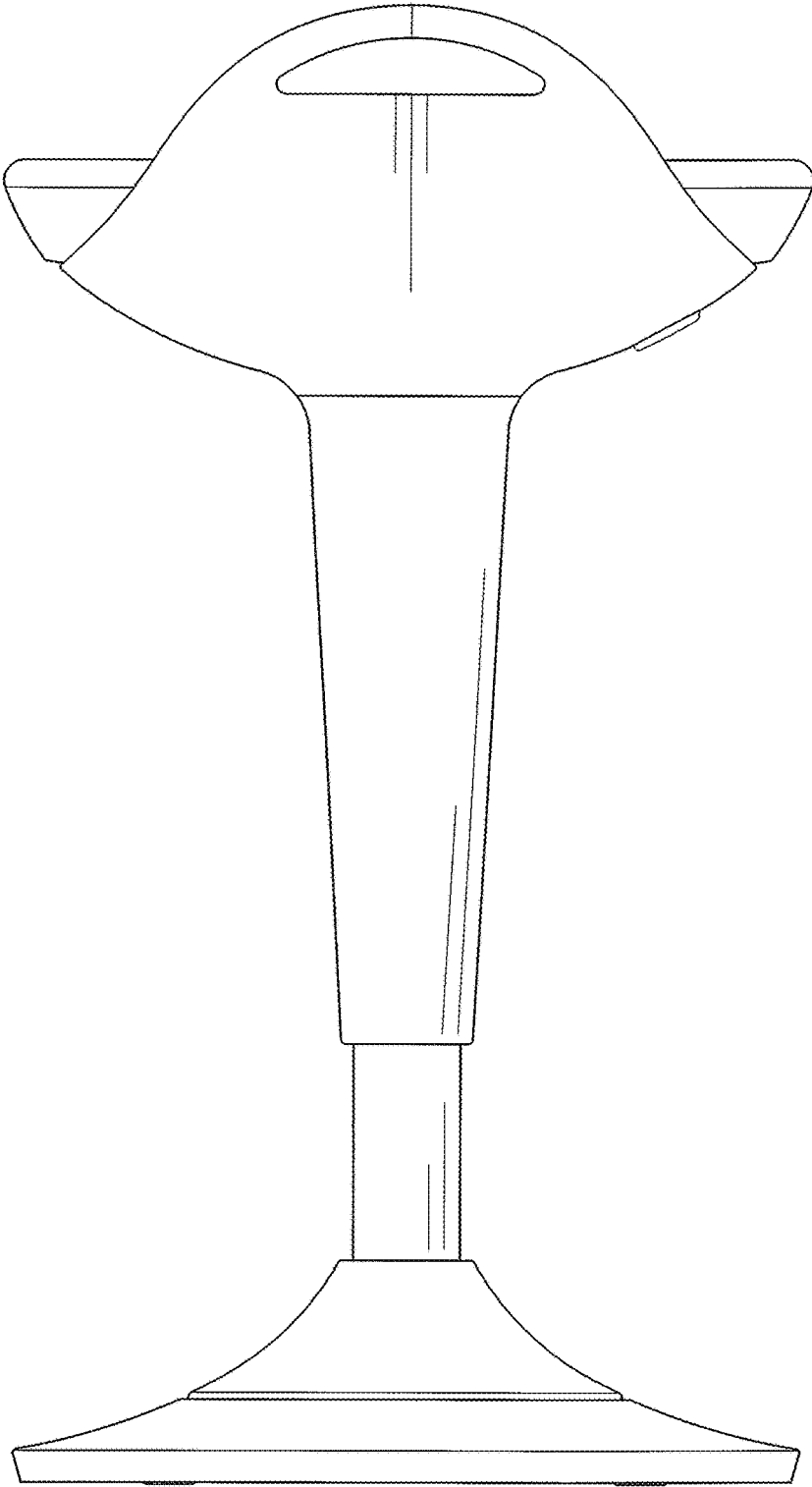


FIG. 3

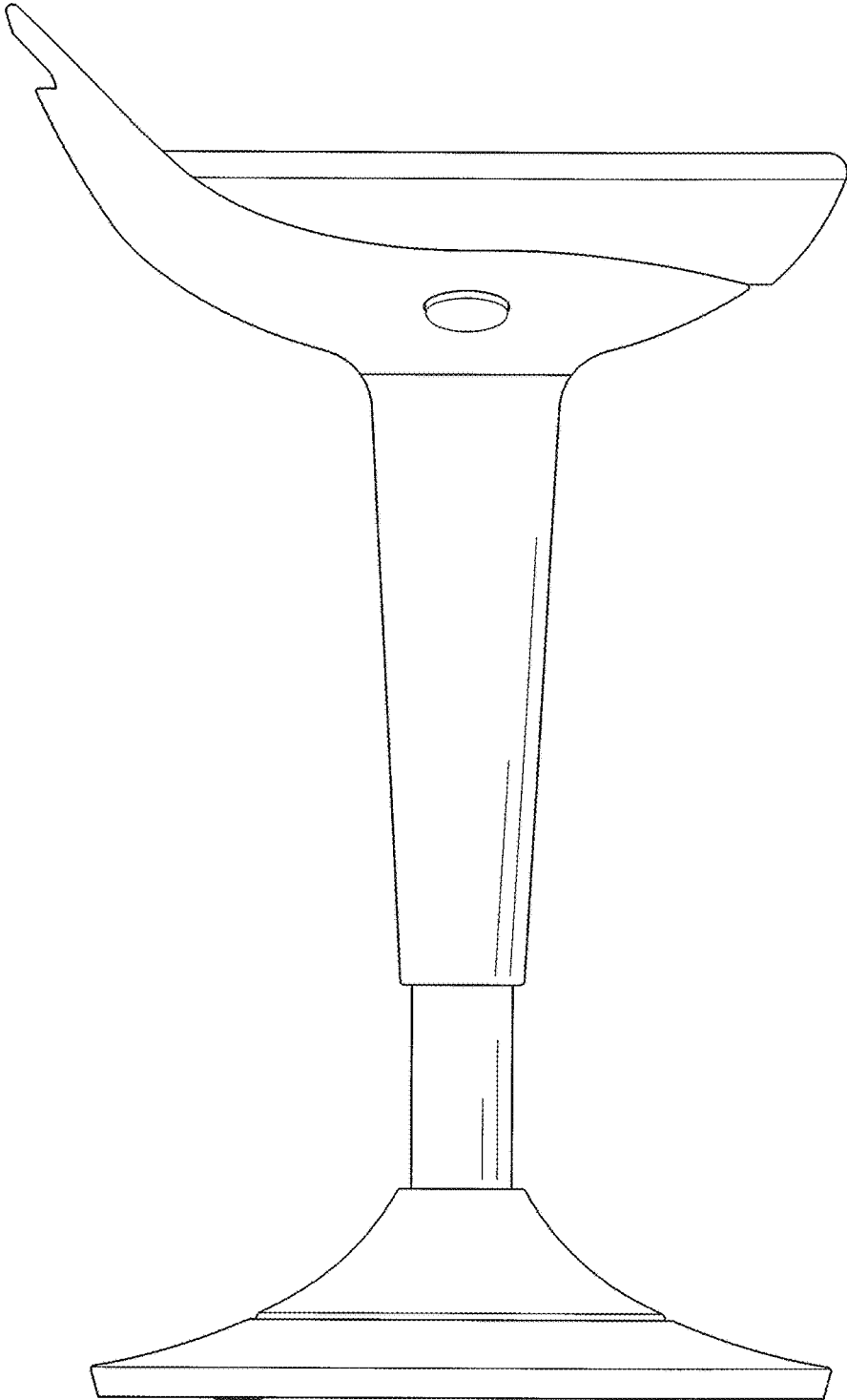


FIG. 4

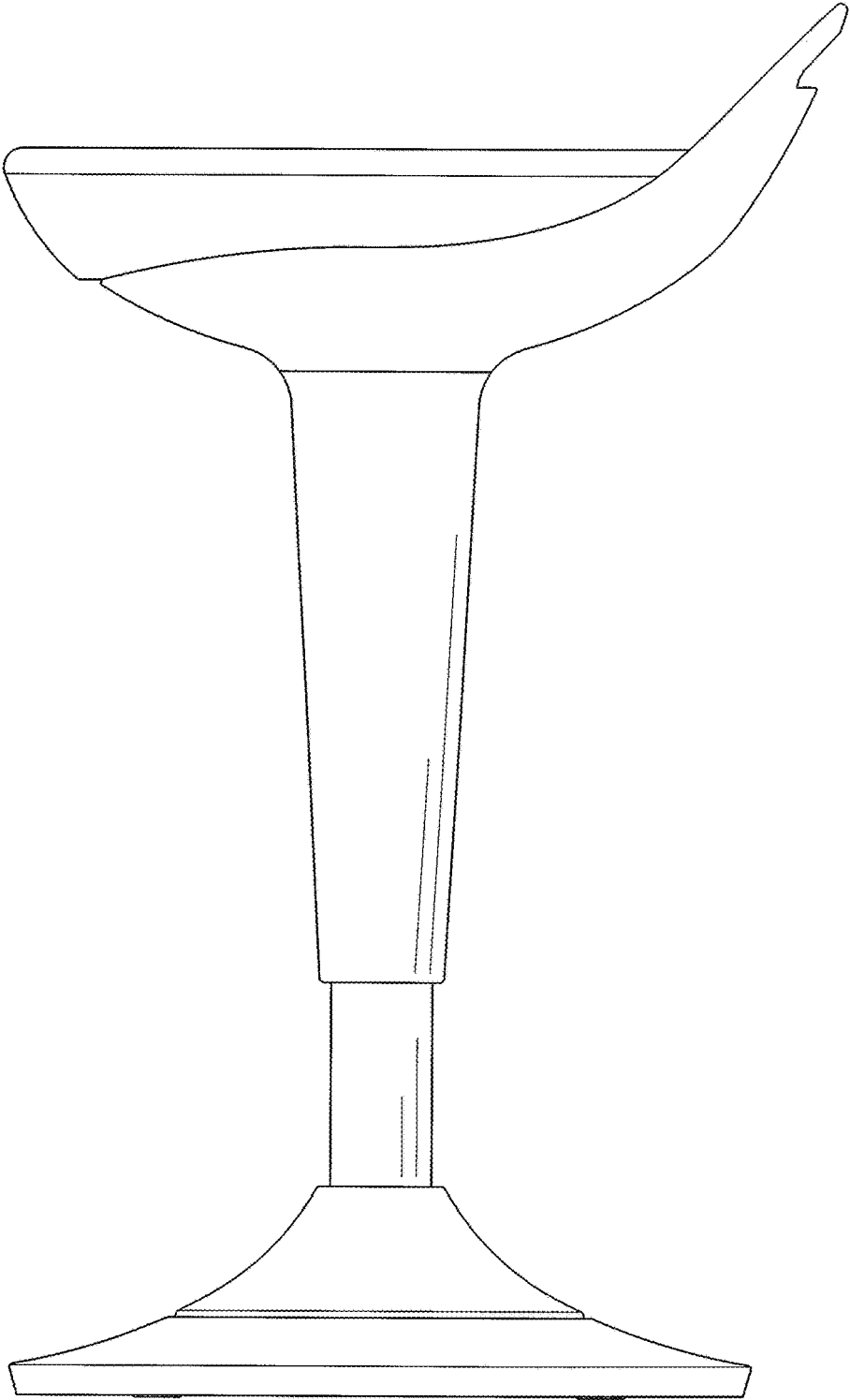


FIG. 5

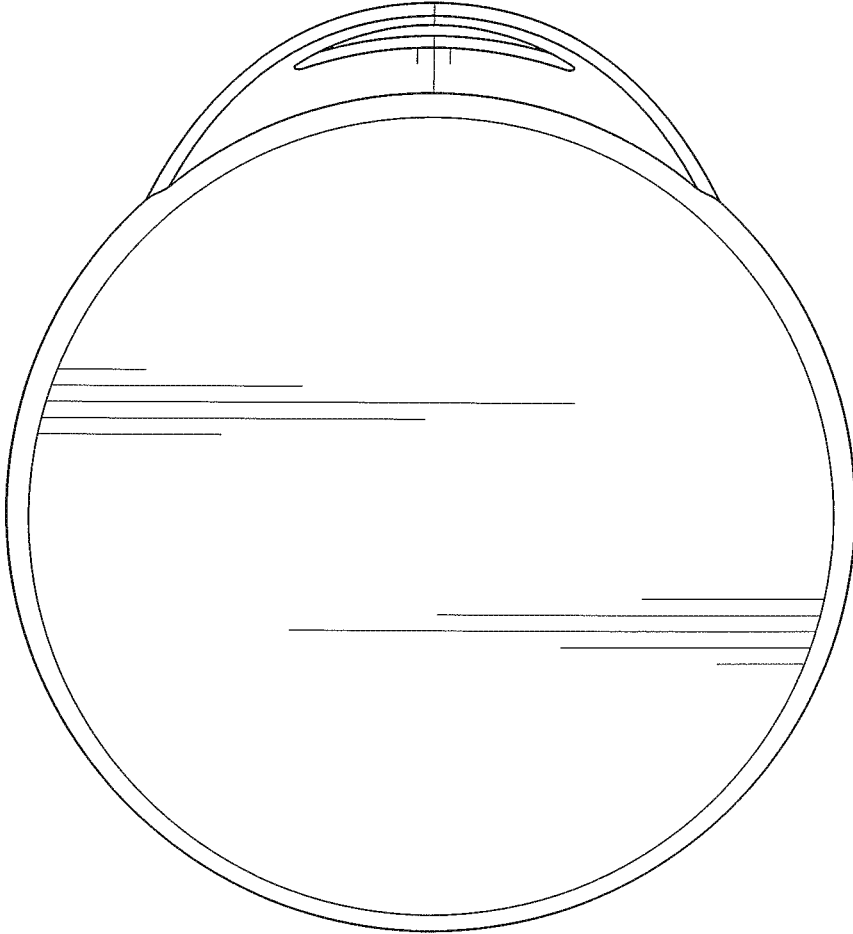


FIG. 6

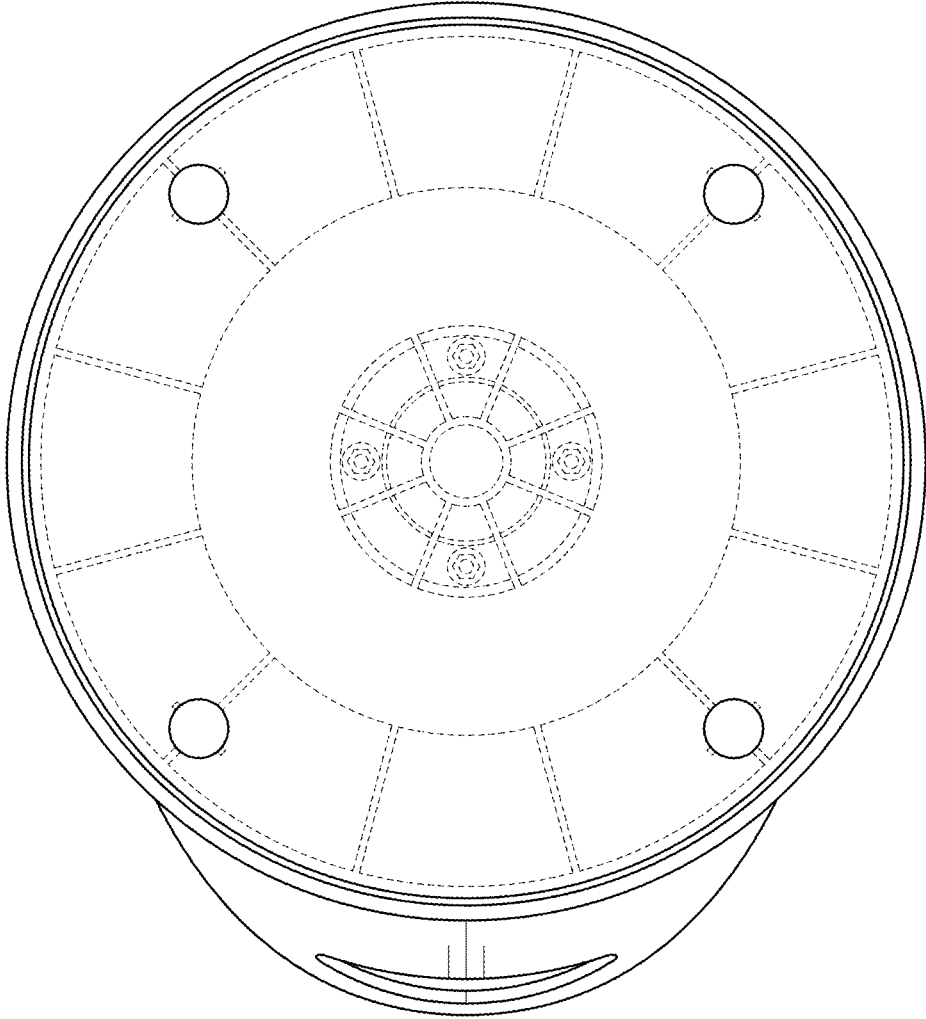


FIG. 7