



US00D728509S

(12) **United States Design Patent**
Hinkel

(10) **Patent No.:** **US D728,509 S**

(45) **Date of Patent:** **** May 5, 2015**

(54) **INTERCOM SYSTEM**

D519,100 S *	4/2006	Shioya et al.	D14/159
D569,819 S *	5/2008	Rinaldi et al.	D14/130
D618,659 S *	6/2010	Su	D14/159
D660,819 S *	5/2012	Chen et al.	D14/159

(75) Inventor: **Ralf Hinkel**, Höringen (DE)

(73) Assignee: **Mobotix AG**, Winnweiler (DE)

* cited by examiner

(**) Term: **14 Years**

Primary Examiner — Austin Murphy

(21) Appl. No.: **29/396,278**

(74) *Attorney, Agent, or Firm* — Oblon, McClelland, Maier & Neustadt, L.L.P.

(22) Filed: **Jun. 28, 2011**

(57) **CLAIM**

The ornamental design for an intercom system, as shown and described.

(30) **Foreign Application Priority Data**

Dec. 28, 2010	(DE)	40 2010 006 902
Mar. 30, 2011	(DE)	40 2011 001 804

DESCRIPTION

(51) **LOC (10) Cl.** **14-03**

(52) **U.S. Cl.**
USPC **D14/159**

(58) **Field of Classification Search**
USPC D14/315–327, 384, 432, 439–446, 341,
D14/345, 353–355, 125, 130, 132, 138,
D14/159; D16/202, 208; D9/424–432;
D6/491; D8/403; 235/145 A, 145 R;
341/22, 23; 349/12; 361/680–686;
D20/10, 41, 43

See application file for complete search history.

FIG. 1 is a front elevational view of an intercom system according to an embodiment of the invention; FIG. 2 is a rear elevational view thereof; FIG. 3 is a right side elevational view thereof; FIG. 4 is a left side elevational view thereof; FIG. 5 is a top view thereof; FIG. 6 is a bottom view thereof; FIG. 7 is a front elevational view thereof with a front cover removed; FIG. 8 is an enlarged view of a portion of the view shown in FIG. 7; FIG. 9 is a rear left side perspective view thereof; FIG. 10 is a rear bottom perspective view thereof; FIG. 11 is a front right side perspective view thereof with the front cover removed; and, FIG. 12 is a front bottom perspective view thereof with the front cover removed.

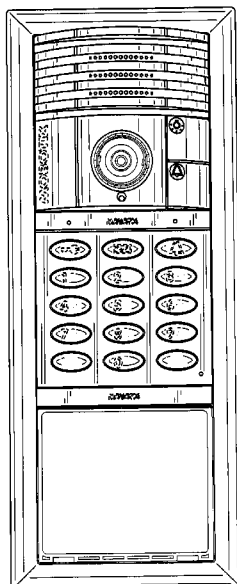
(56) **References Cited**

U.S. PATENT DOCUMENTS

D289,759 S *	5/1987	Koob	D14/159
D313,594 S *	1/1991	Morooka	D14/159
D313,595 S *	1/1991	Morooka	D14/159
D321,686 S *	11/1991	Plozner	D14/159
D466,882 S *	12/2002	Matsui et al.	D14/159
D480,702 S *	10/2003	Yoshida et al.	D14/159
D491,551 S *	6/2004	Matsui et al.	D14/159
D505,127 S *	5/2005	Yoshida et al.	D14/159
D513,744 S *	1/2006	Senda et al.	D14/159

Any dashed lines in the drawings depict environment and/or disclaimed subject matter and form no part of the claimed design. Likewise, any dash-dot-dash lines form boundary portions and form no part of the claimed design. Applicant reserves the right to disclaim or claim any portion or portions of the design(s).

1 Claim, 12 Drawing Sheets



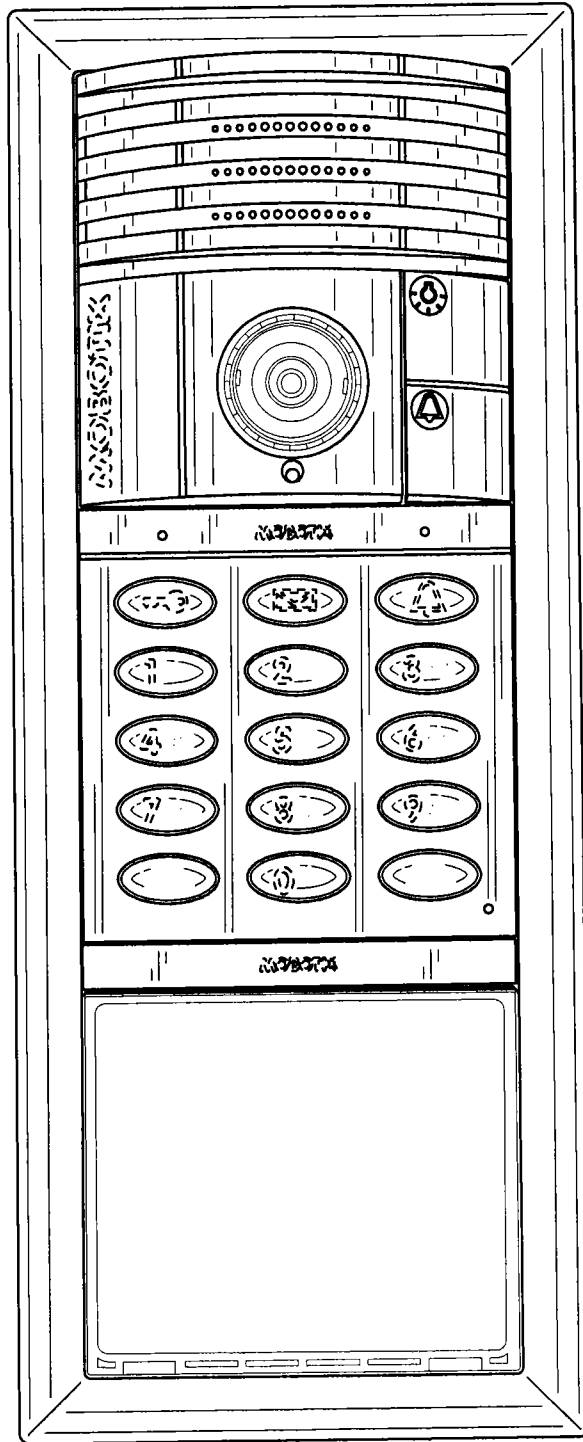


FIG. 1

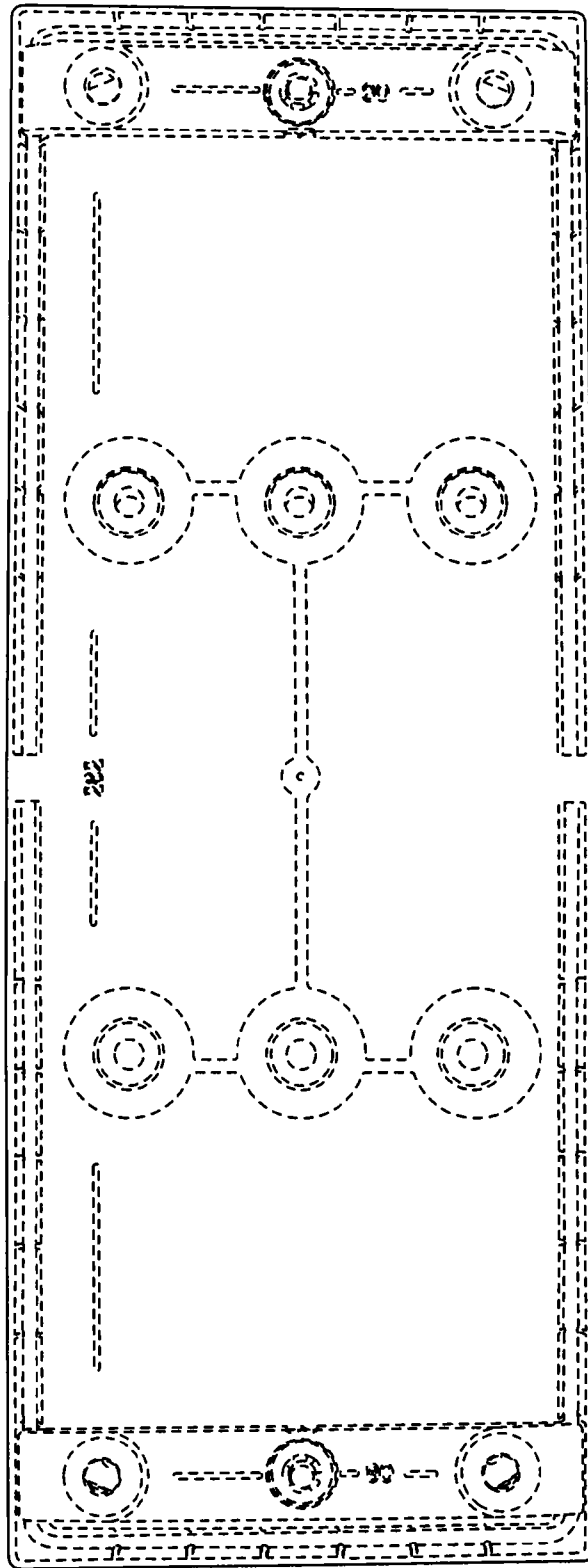


FIG. 2

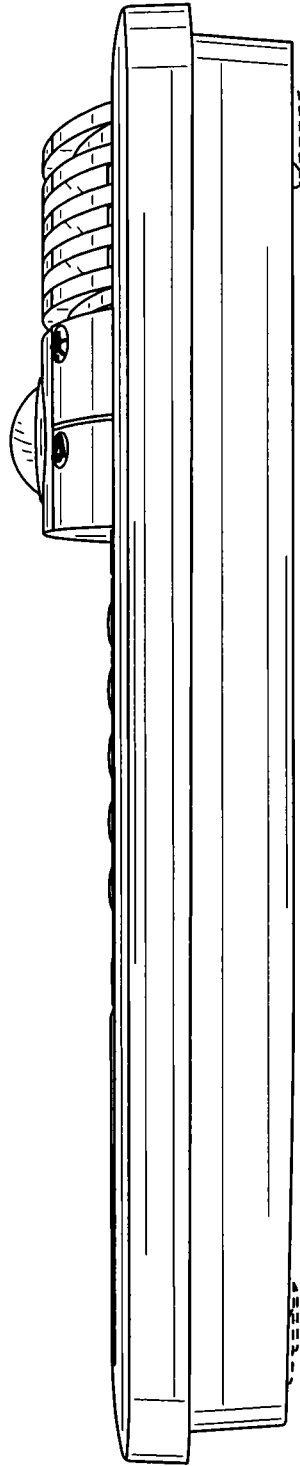


FIG. 3

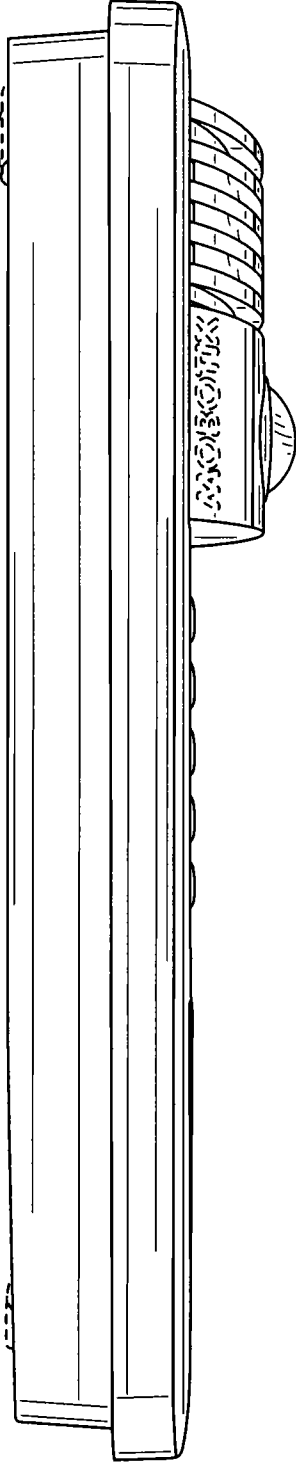


FIG. 4

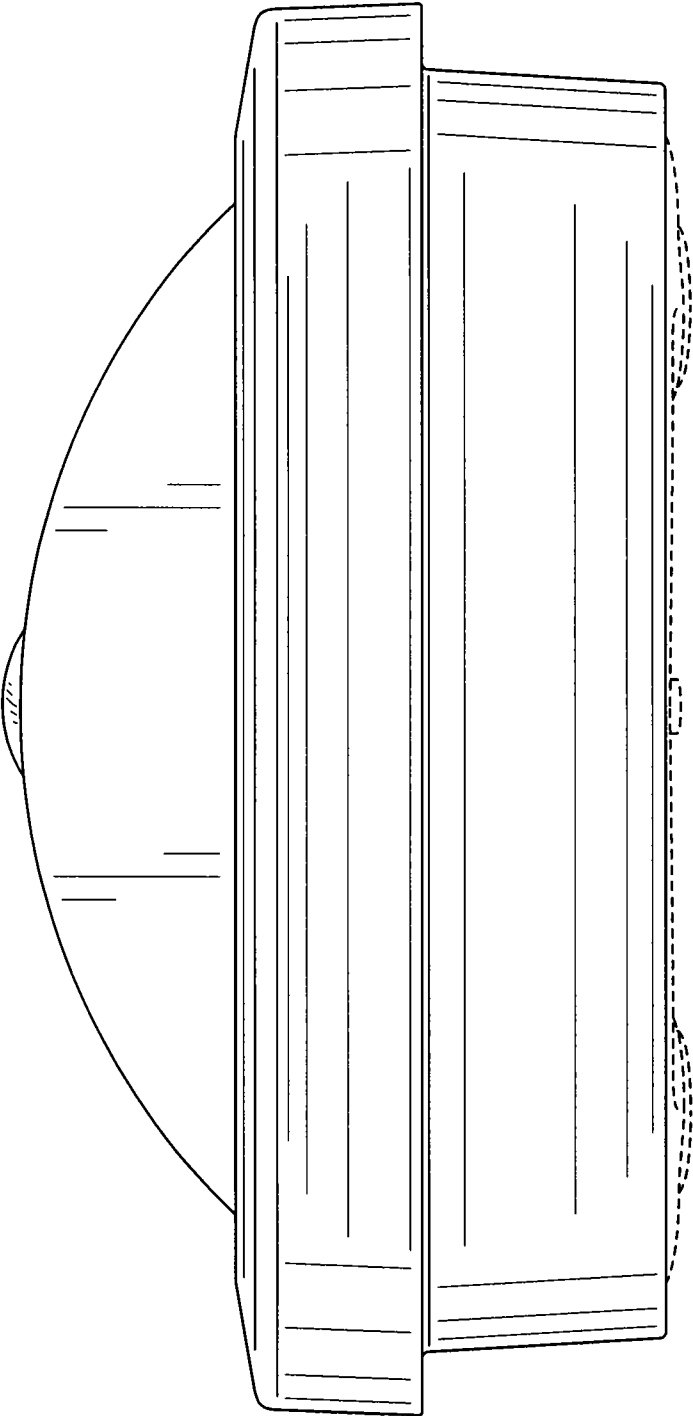


FIG. 5

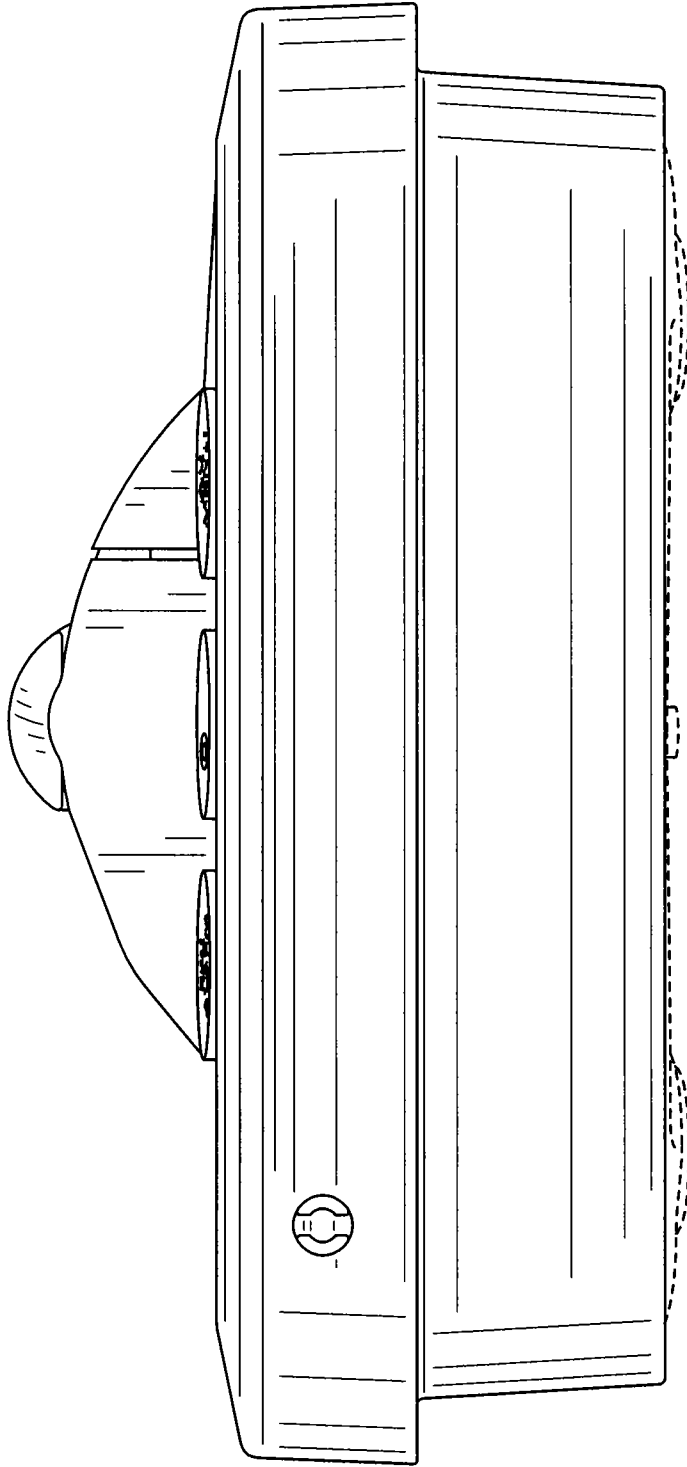


FIG. 6

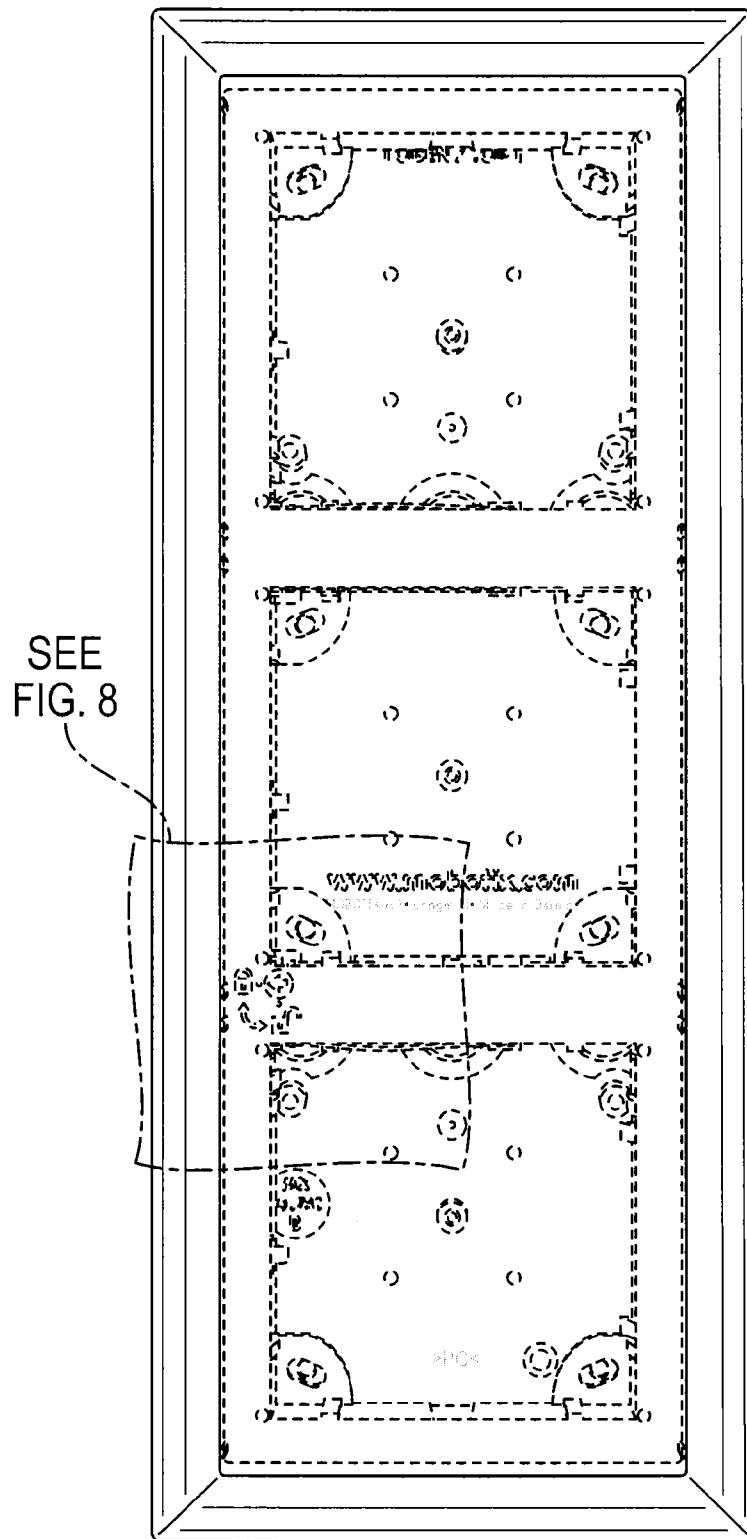


FIG. 7

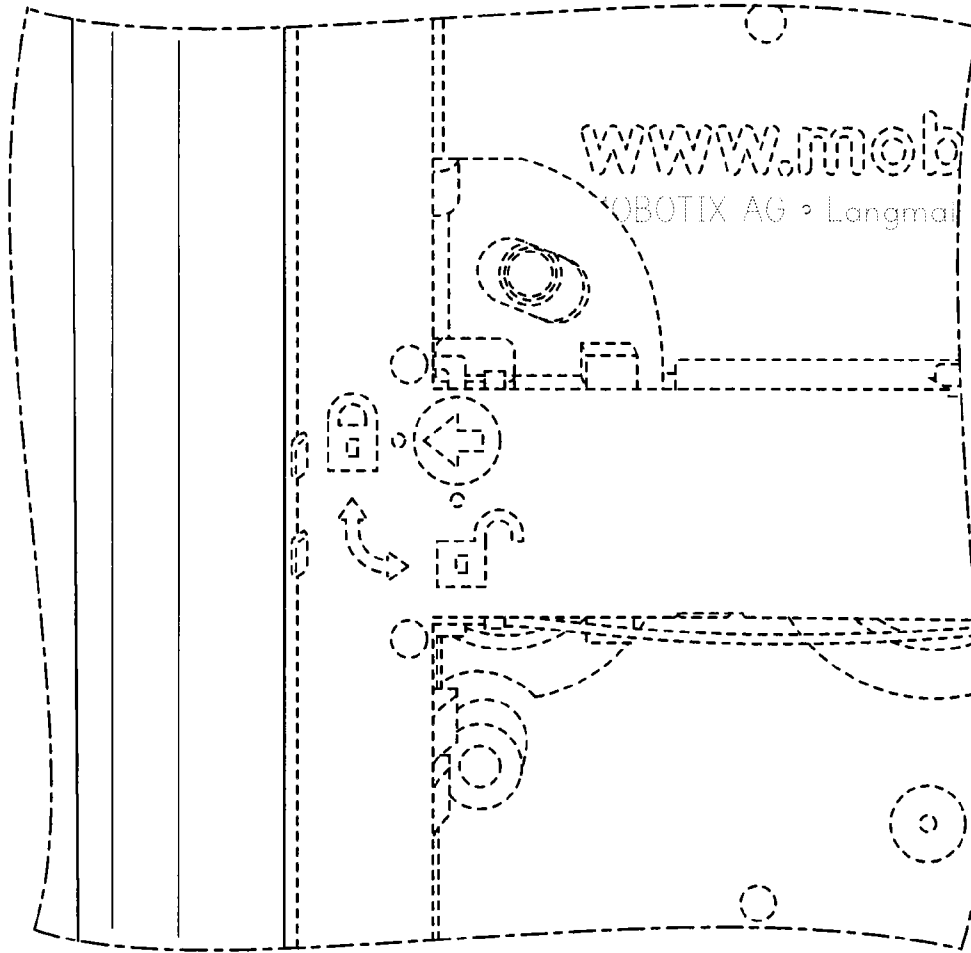


FIG. 8

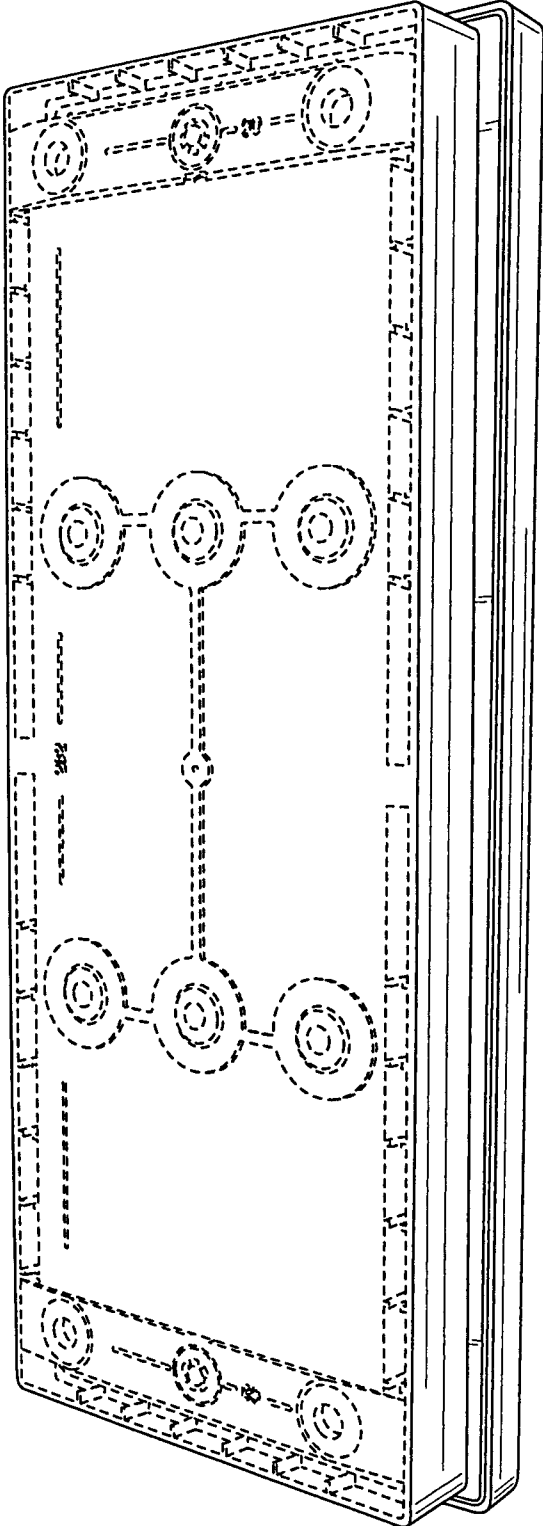


FIG. 9

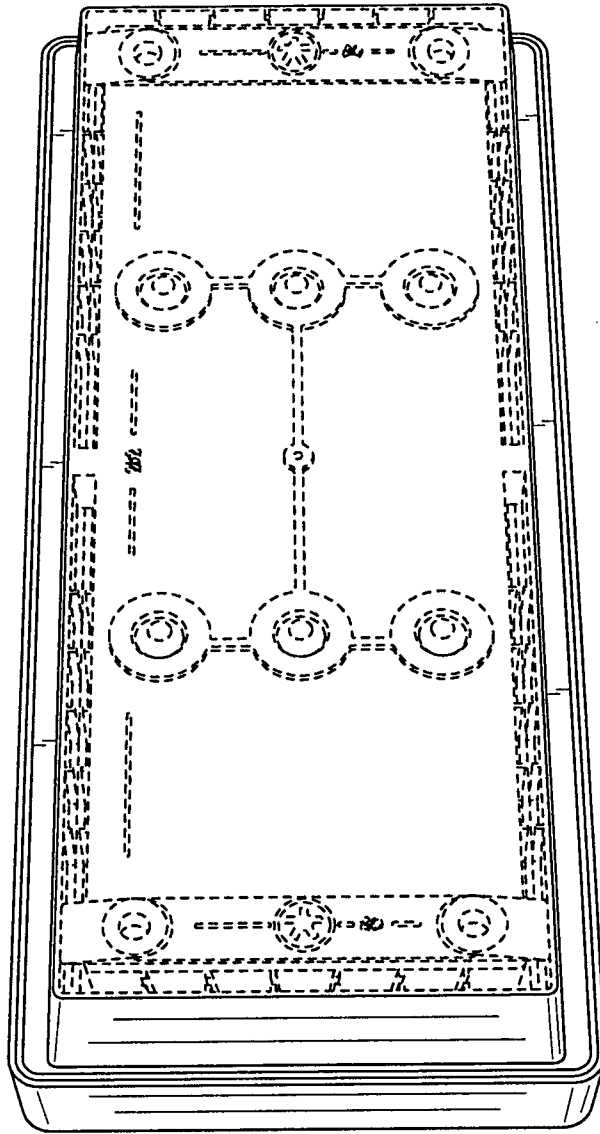


FIG. 10

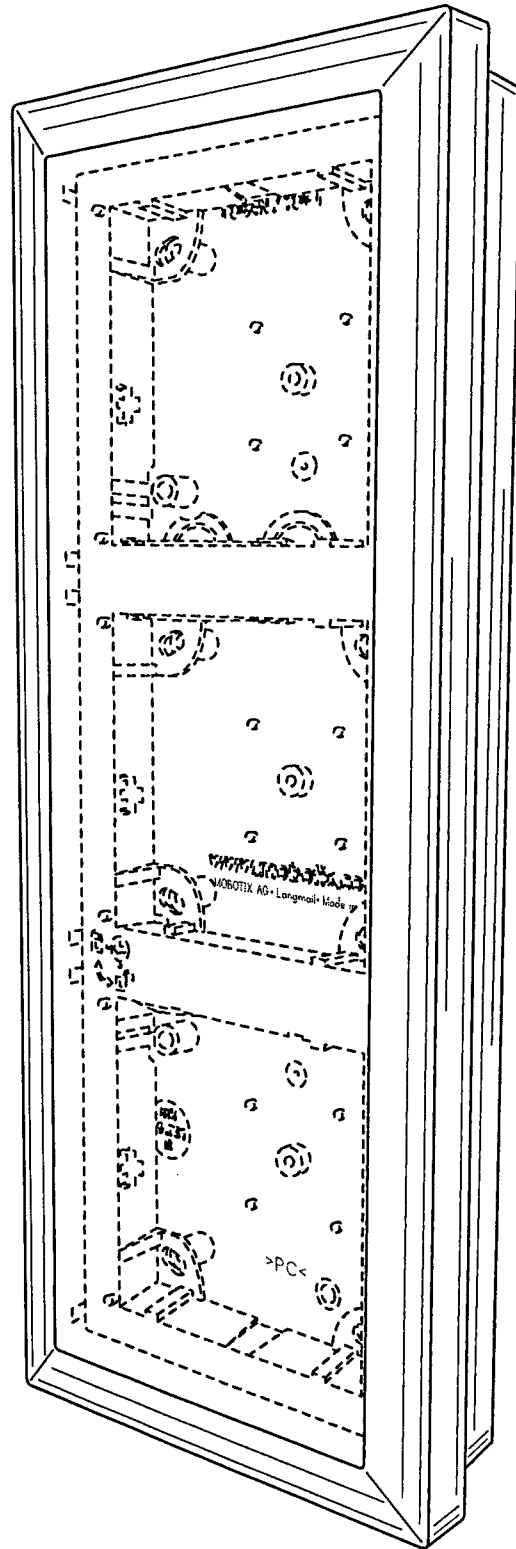


FIG. 11

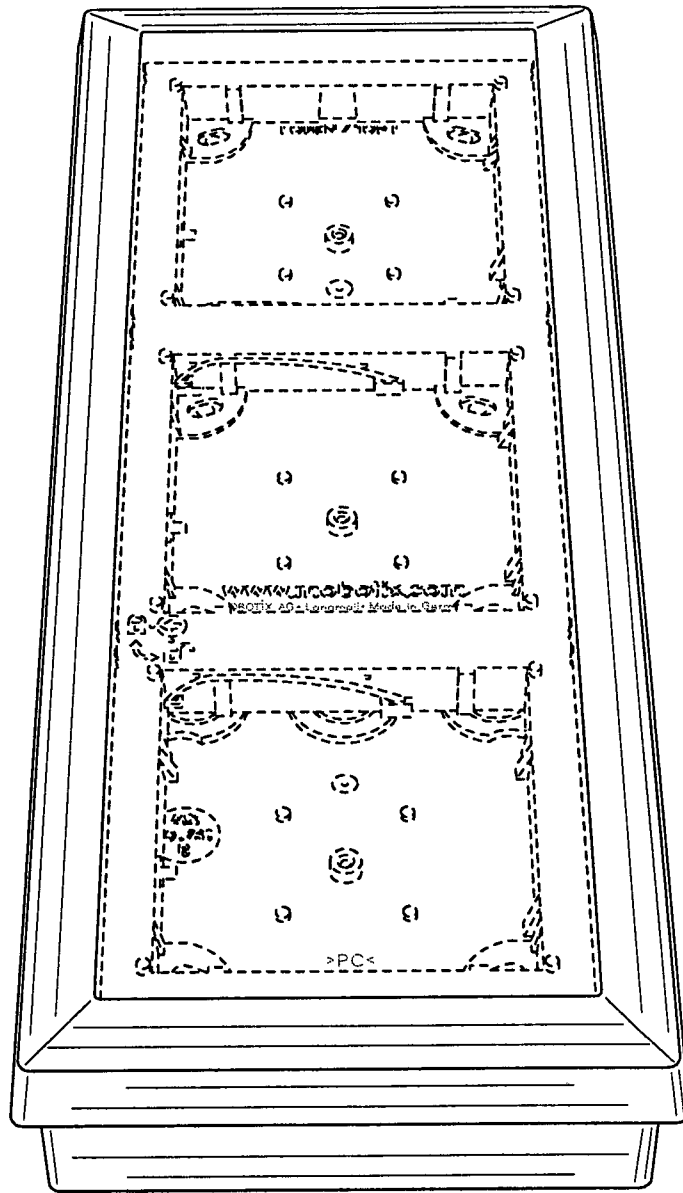


FIG. 12