



US00D662642S

(12) **United States Design Patent**
Huang et al.

(10) **Patent No.:** **US D662,642 S**

(45) **Date of Patent:** **** Jun. 26, 2012**

(54) **WALL-MOUNTED LUMINAIRE**
(76) Inventors: **Ching-Chuan Huang**, Taichung (TW);
Ming-Hsuan Chen, Taichung (TW)

(**) Term: **14 Years**

(21) Appl. No.: **29/381,663**

(22) Filed: **Dec. 21, 2010**

(51) **LOC (9) Cl.** **26-05**

(52) **U.S. Cl.** **D26/74**

(58) **Field of Classification Search** D26/72,
D26/74, 75, 76, 77, 78, 79, 80, 81, 82, 83,
D26/84, 85, 88, 89, 90; 362/145, 146, 147,
362/148, 150, 151, 152, 153, 153.1, 217.01,
362/217.02, 217.05, 217.06, 217.07, 217.08,
362/217.09, 217.1, 217.11, 249.02, 260,
362/296.07, 311.02

See application file for complete search history.

(56) **References Cited**

U.S. PATENT DOCUMENTS

D404,159	S	*	1/1999	Klaus	D26/72
D444,586	S	*	7/2001	Waters et al.	D26/72
D447,593	S	*	9/2001	Lee	D26/87
D469,911	S	*	2/2003	Lee	D26/85
D597,434	S	*	8/2009	Yu	D10/114.2

D626,443	S	*	11/2010	Yu	D10/114.2
D646,417	S	*	10/2011	Wauters	D26/63
D646,831	S	*	10/2011	Pan	D26/74
D647,239	S	*	10/2011	Beghelli	D26/74
D652,549	S	*	1/2012	Pineault et al.	D26/26
D652,559	S	*	1/2012	Beghelli	D26/74
2012/0033434	A1	*	2/2012	Wang	362/366

* cited by examiner

Primary Examiner — Angela J Lee

(57) **CLAIM**

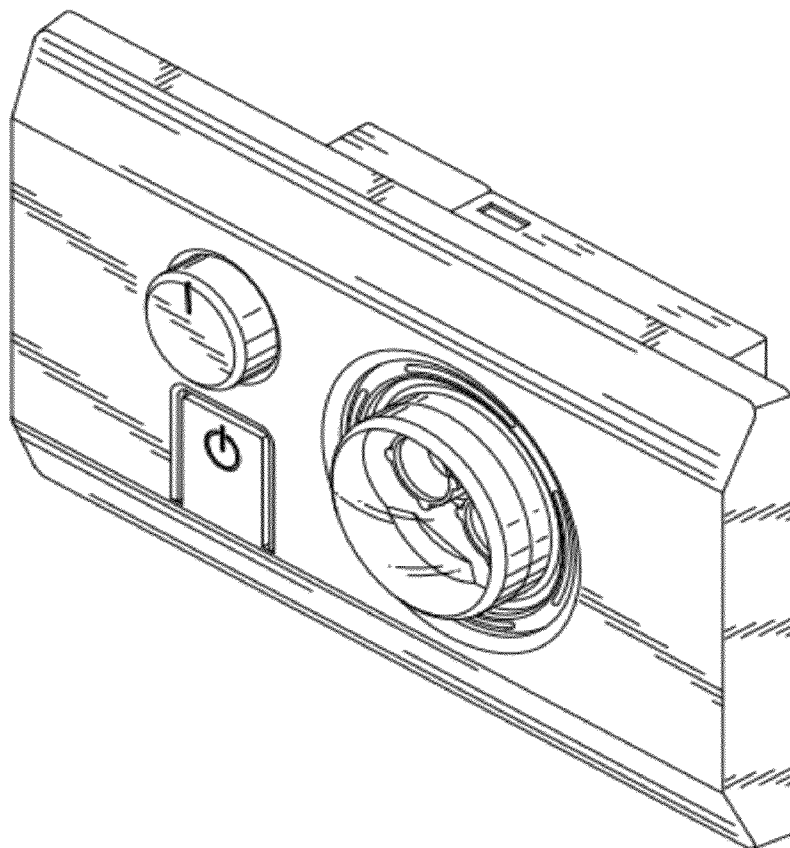
The ornamental design for a wall-mounted luminaire, as shown and described.

DESCRIPTION

FIG. 1 is a perspective view of a wall-mounted luminaire showing my new design;
FIG. 2 is a front elevational view of FIG. 1;
FIG. 3 is a rear elevational view of FIG. 1;
FIG. 4 is a left side view of FIG. 1;
FIG. 5 is a right side view of FIG. 1;
FIG. 6 is a top plan view of FIG. 1; and,
FIG. 7 is a bottom plan view of FIG. 1.

The broken lines shown in FIG. 3 represent portions of the wall-mounted luminaire that form no part of the claimed design.

1 Claim, 4 Drawing Sheets



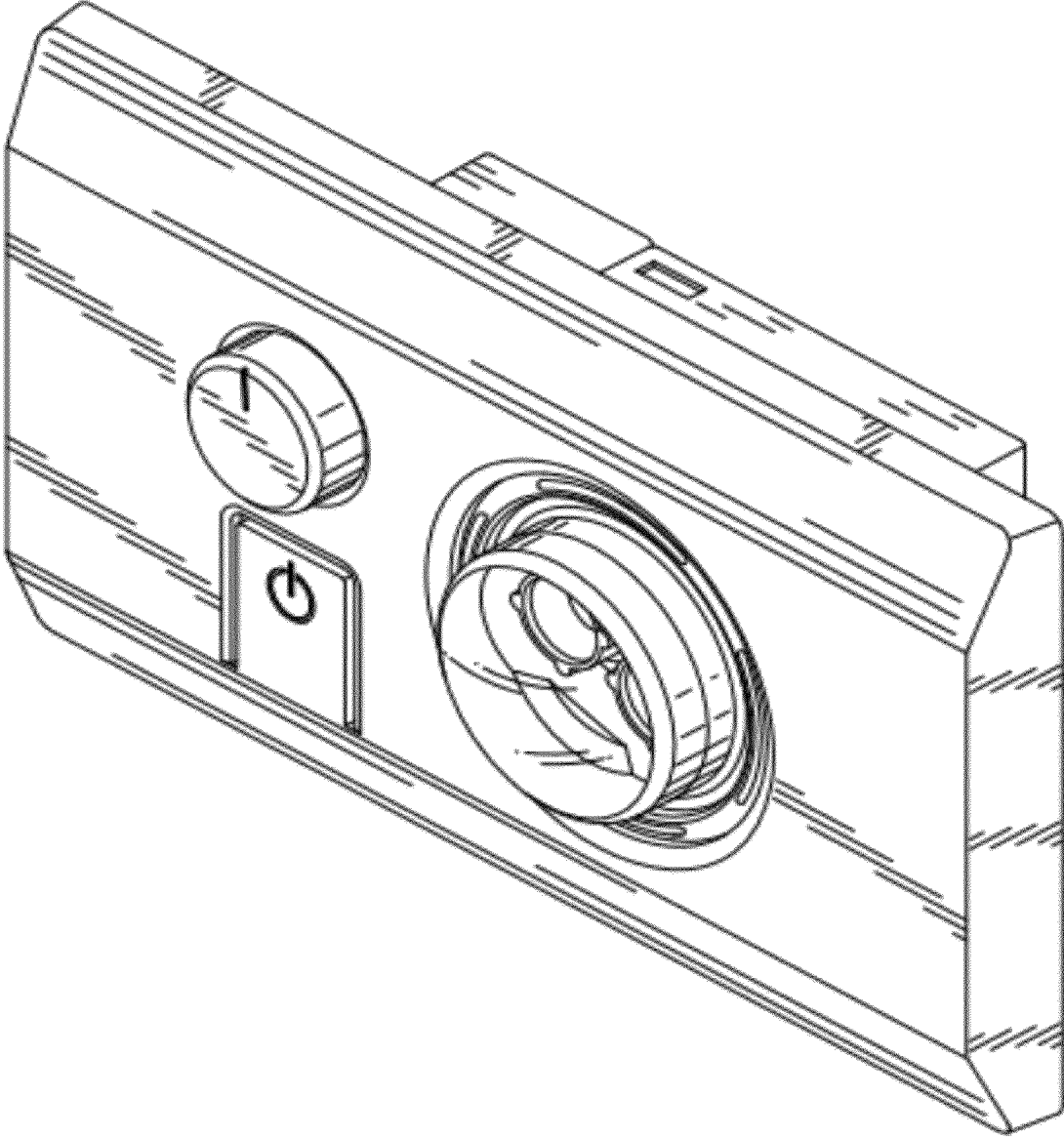


FIG. 1

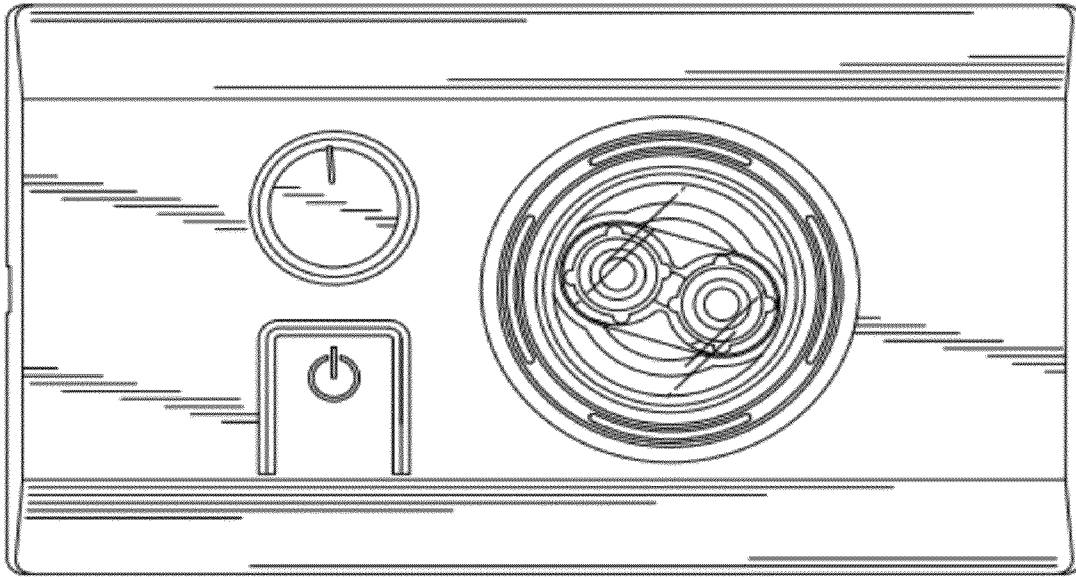


FIG. 2

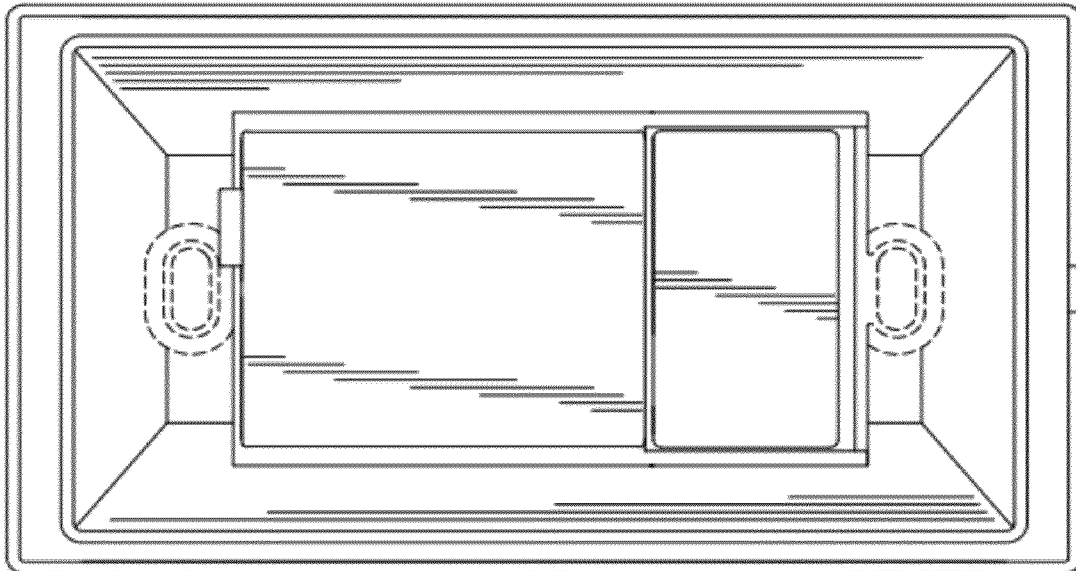


FIG. 3

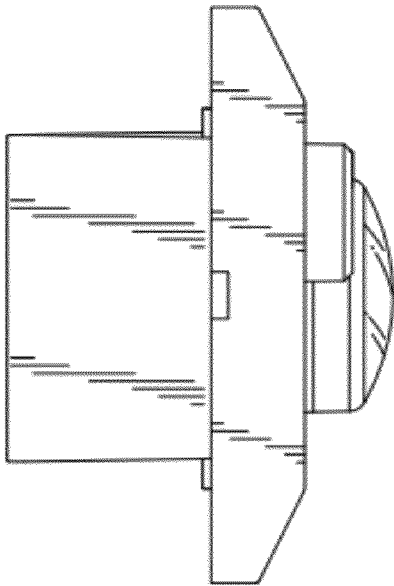


FIG. 4

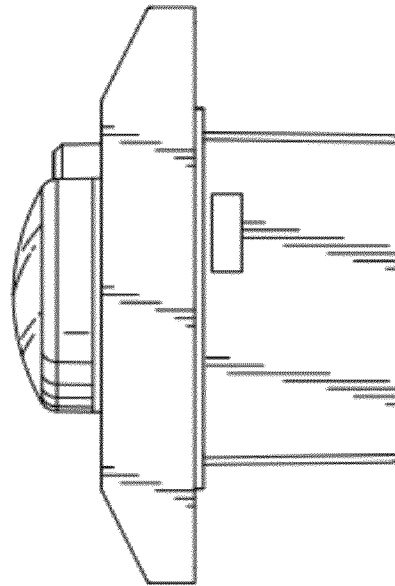


FIG. 5

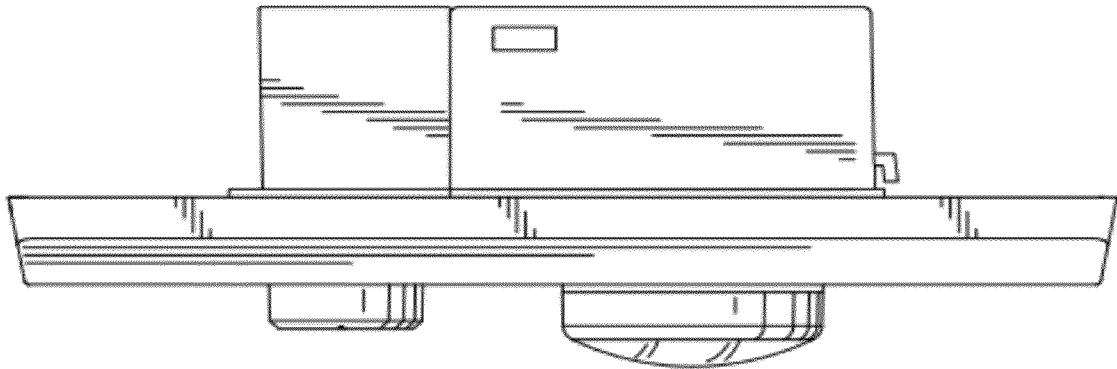


FIG. 6

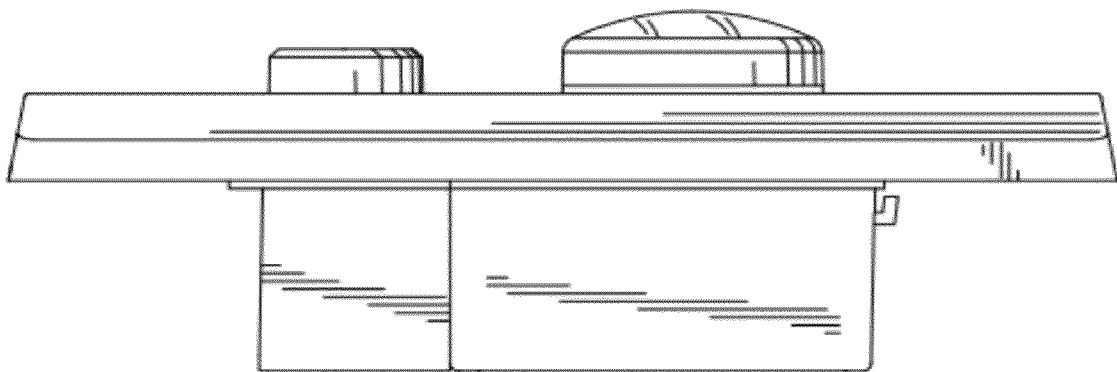


FIG. 7