



US00D979044S

(12) **United States Design Patent**  
**Hu**

(10) **Patent No.:** **US D979,044 S**

(45) **Date of Patent:** **\*\* Feb. 21, 2023**

(54) **SNORKEL MASK**  
  
(71) Applicant: **Dongguan City Ren Tong Swimming & Diving Products Co., Ltd.,**  
Dongguan (CN)

(72) Inventor: **Guoren Hu, Dongguan (CN)**

(\*\*) Term: **15 Years**

(21) Appl. No.: **29/802,974**

(22) Filed: **Aug. 10, 2021**

(51) **LOC (14) Cl.** ..... **29-02**

(52) **U.S. Cl.**  
USPC ..... **D24/110.2**

(58) **Field of Classification Search**  
USPC ..... D24/110, 110.1-110.6, 127, 129;  
D29/110  
CPC ..... A61M 16/06; A61M 16/0605; A61M  
16/0616; A61M 16/0622; A61M 16/0633;  
A61M 16/0644; A61M 16/0683; A61M  
16/08; A61M 16/0816; A61M 16/0875;  
B63C 11/12; B63C 11/16; B63C 11/186;  
B63C 11/205

See application file for complete search history.

(56) **References Cited**

**U.S. PATENT DOCUMENTS**

D193,048 S \* 6/1962 Schwartz ..... D24/110.2  
D256,962 S \* 9/1980 Fireman ..... D24/110.2  
D290,763 S \* 7/1987 Walsh ..... D24/110.2  
D290,764 S \* 7/1987 Berenson ..... D24/110.2

4,856,120 A \* 8/1989 Hart ..... B63C 11/12  
2/430  
D325,106 S \* 3/1992 Sugita ..... D24/110.2  
5,572,989 A \* 11/1996 Lutz ..... B63C 11/12  
128/207.14  
D681,283 S \* 4/2013 Wang Lee ..... D29/110  
D908,205 S \* 1/2021 Hwang ..... D24/110.1  
D941,992 S \* 1/2022 Hu ..... D24/110.2  
D943,089 S \* 2/2022 Hu ..... D24/110.2  
D958,324 S \* 7/2022 Koller, III ..... D29/108  
D961,764 S \* 8/2022 Hu ..... D24/110.2

\* cited by examiner

*Primary Examiner* — Richard Kearney

*Assistant Examiner* — Michael Hoffinan

(74) *Attorney, Agent, or Firm* — Prakash Nama; Global IP Services, PLLC

(57) **CLAIM**

The ornamental design for a snorkel mask, as shown.

**DESCRIPTION**

FIG. 1 is a front elevational view of a snorkel mask showing my new design;

FIG. 2 is a rear elevational view thereof;

FIG. 3 is a left side view thereof;

FIG. 4 is a right side view thereof;

FIG. 5 is a top plan view thereof;

FIG. 6 is a bottom plan view thereof;

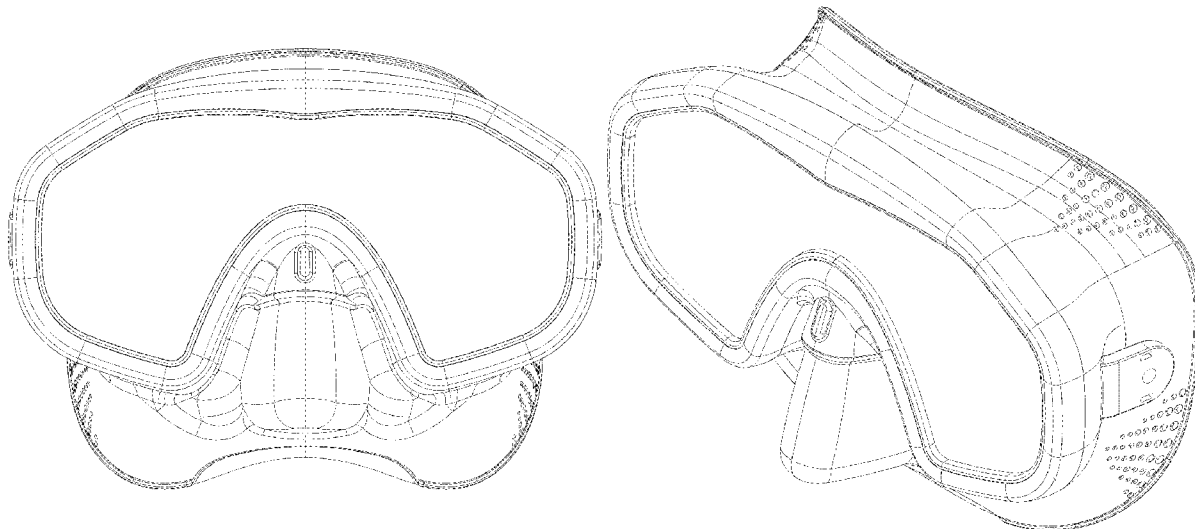
FIG. 7 is a perspective view thereof;

FIG. 8 is a second perspective view thereof;

FIG. 9 is a third perspective view thereof; and,

FIG. 10 is a fourth perspective view thereof.

**1 Claim, 10 Drawing Sheets**



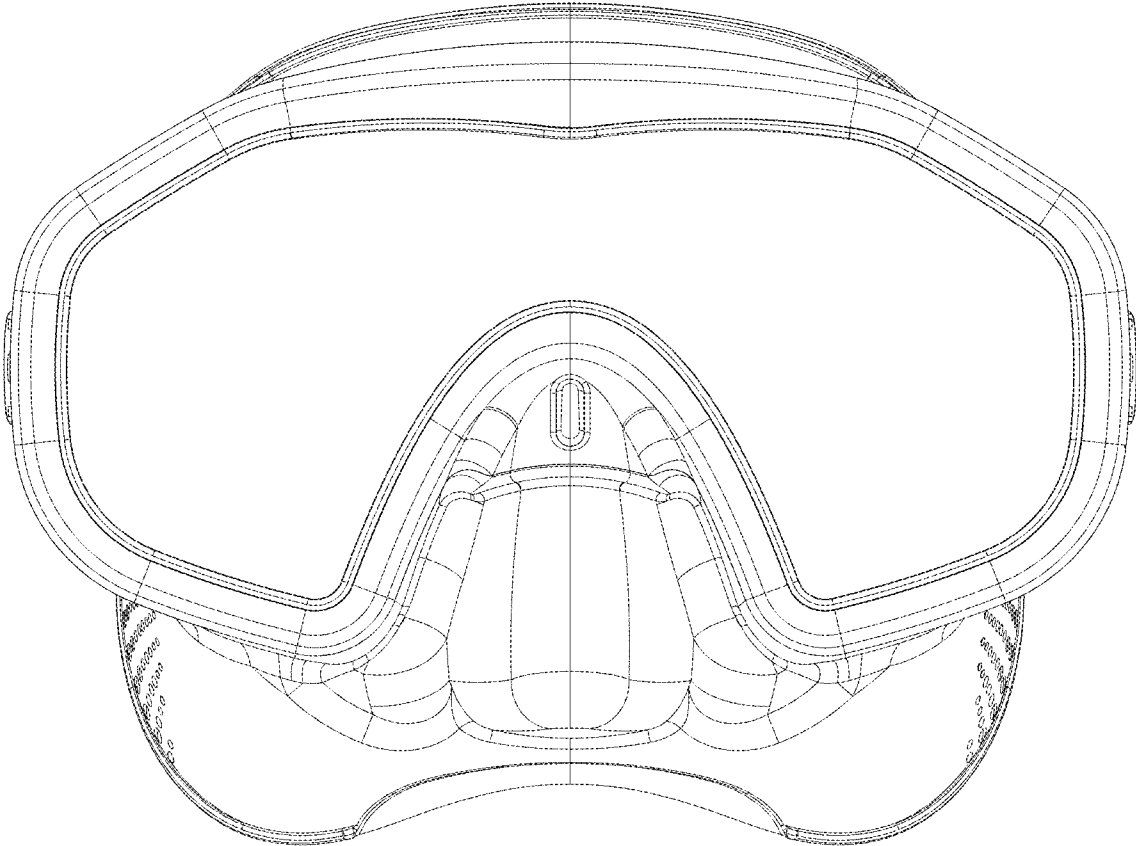


FIG. 1

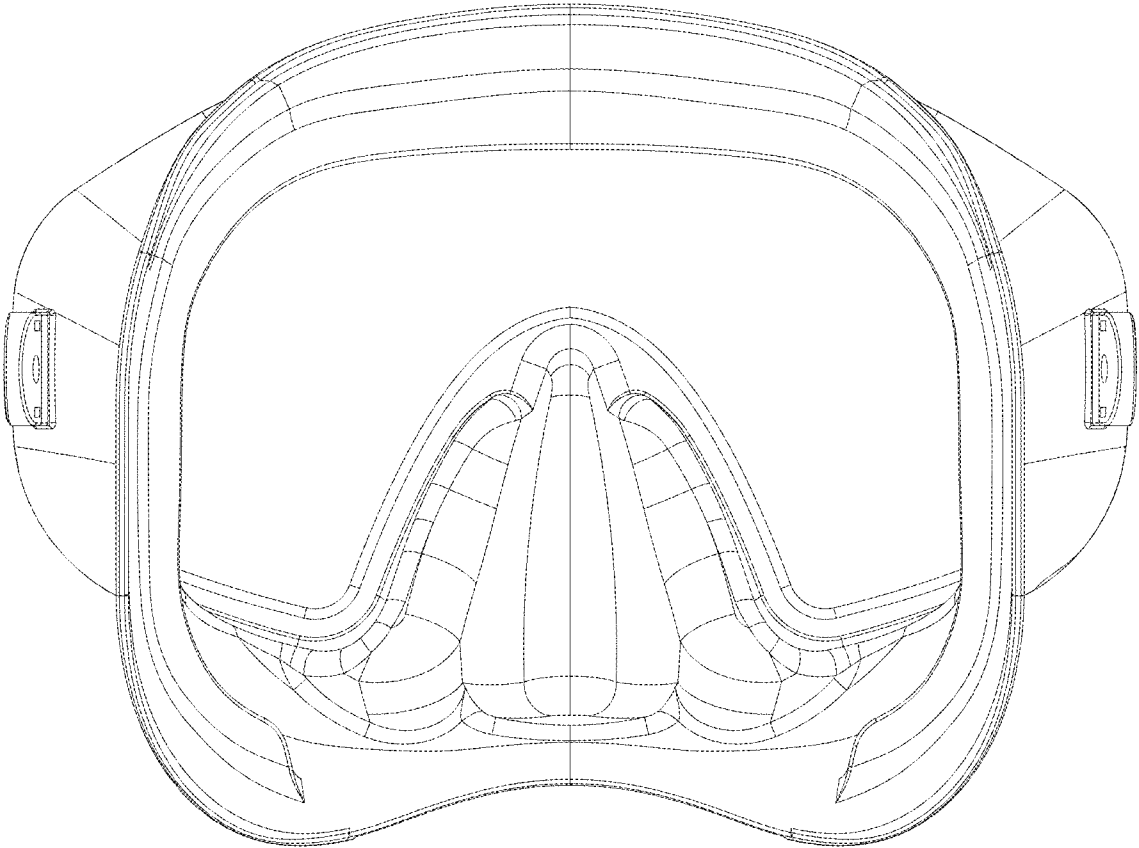


FIG. 2

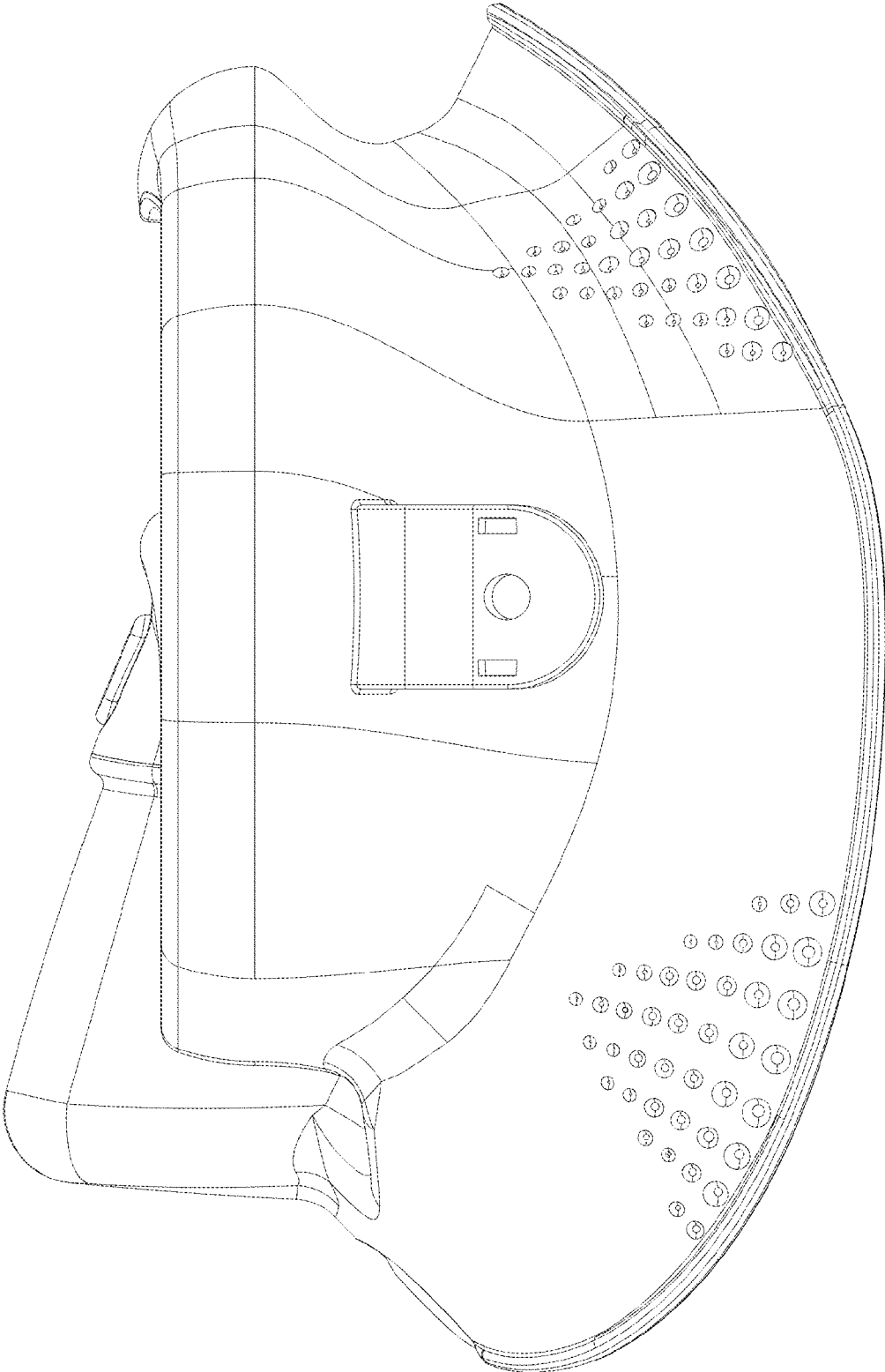


FIG. 3

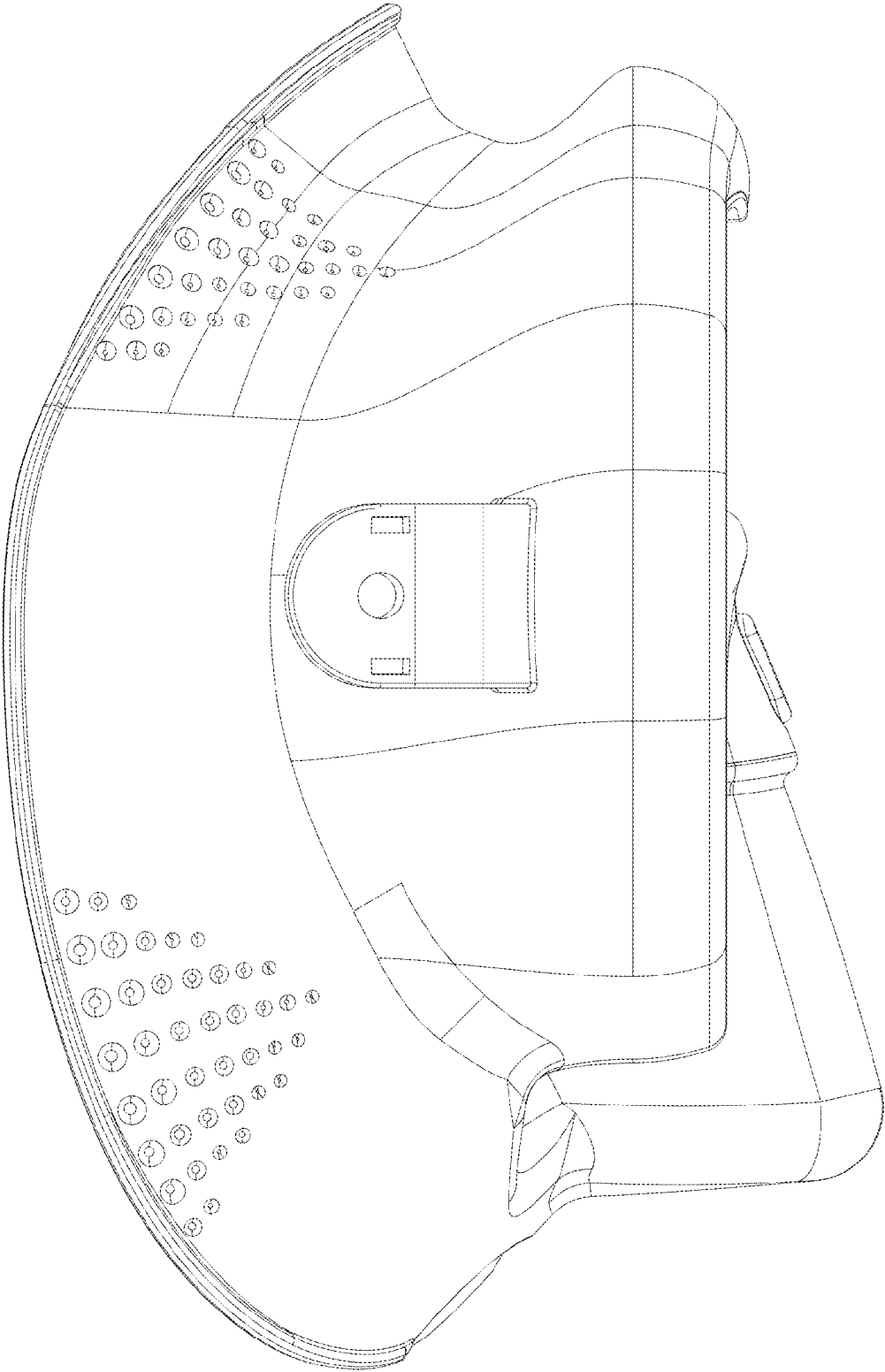


FIG. 4

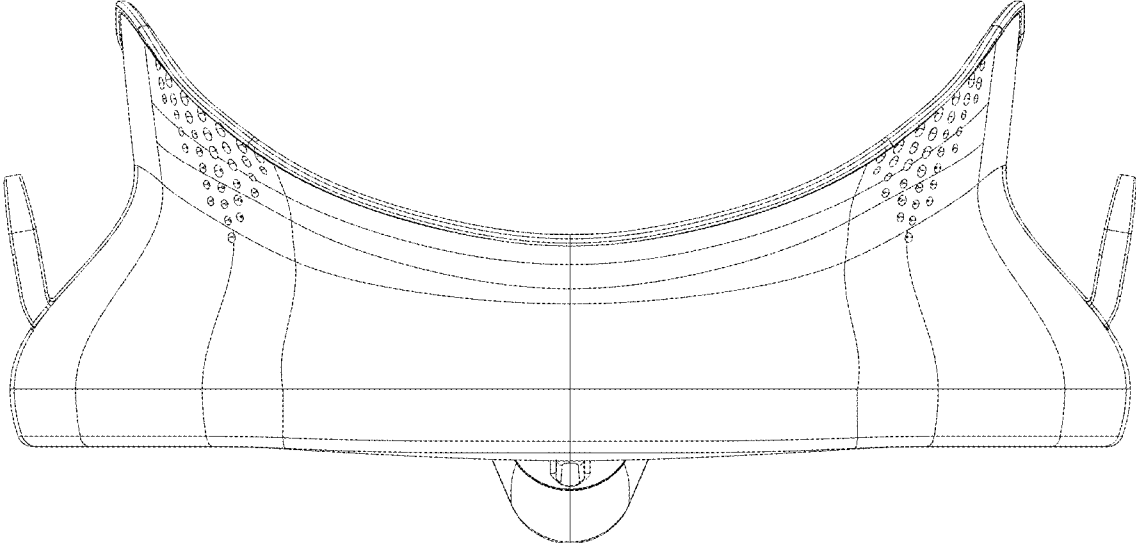


FIG. 5

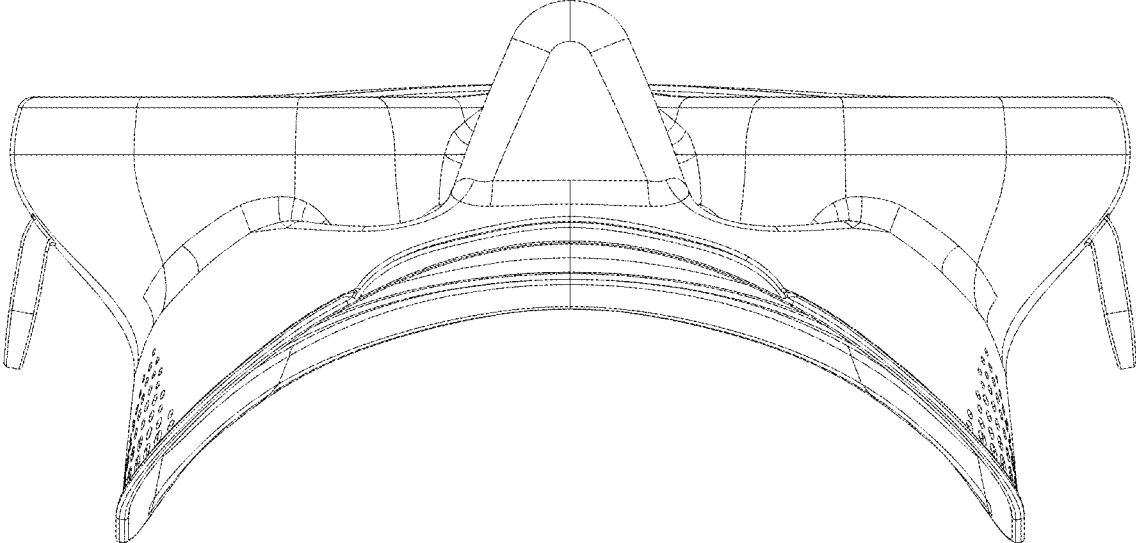


FIG. 6

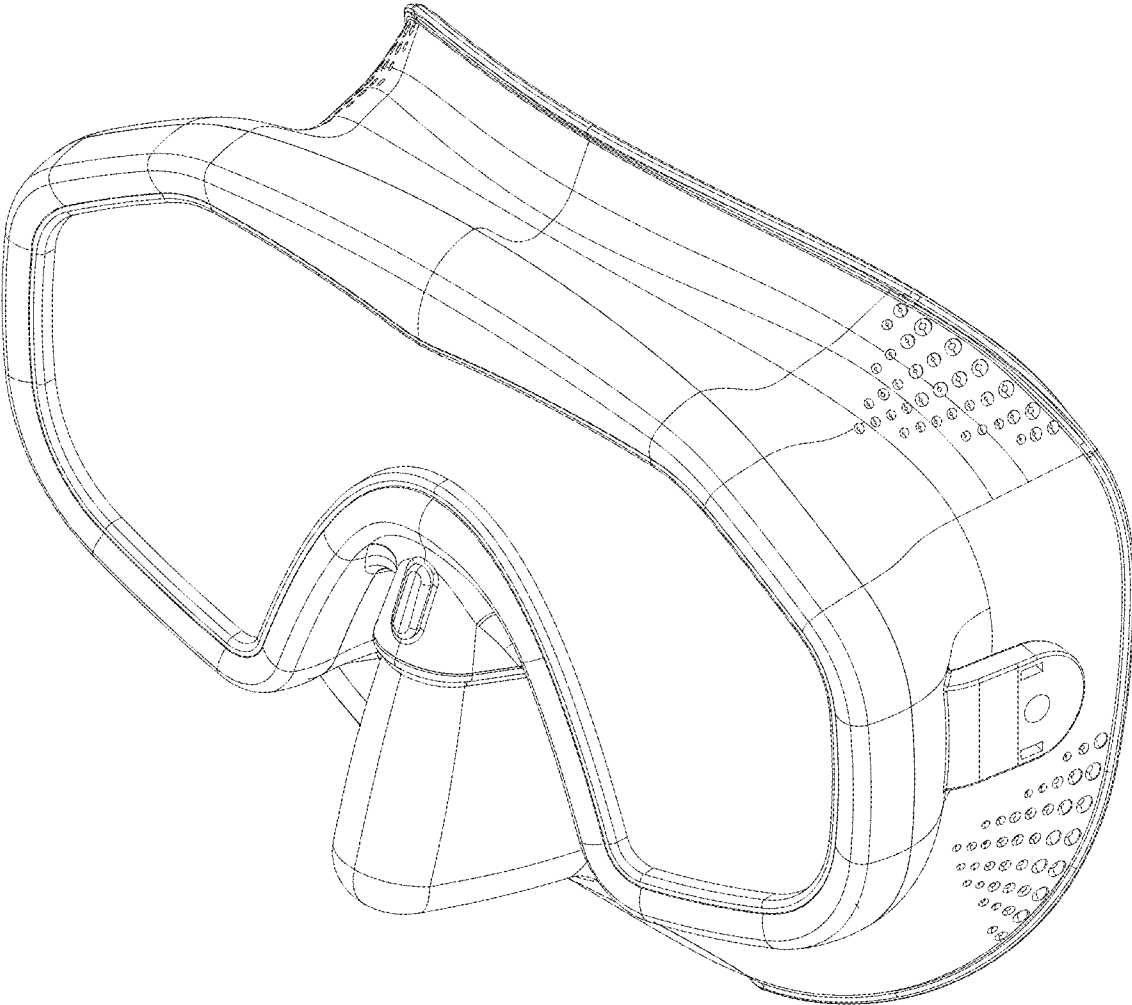


FIG. 7



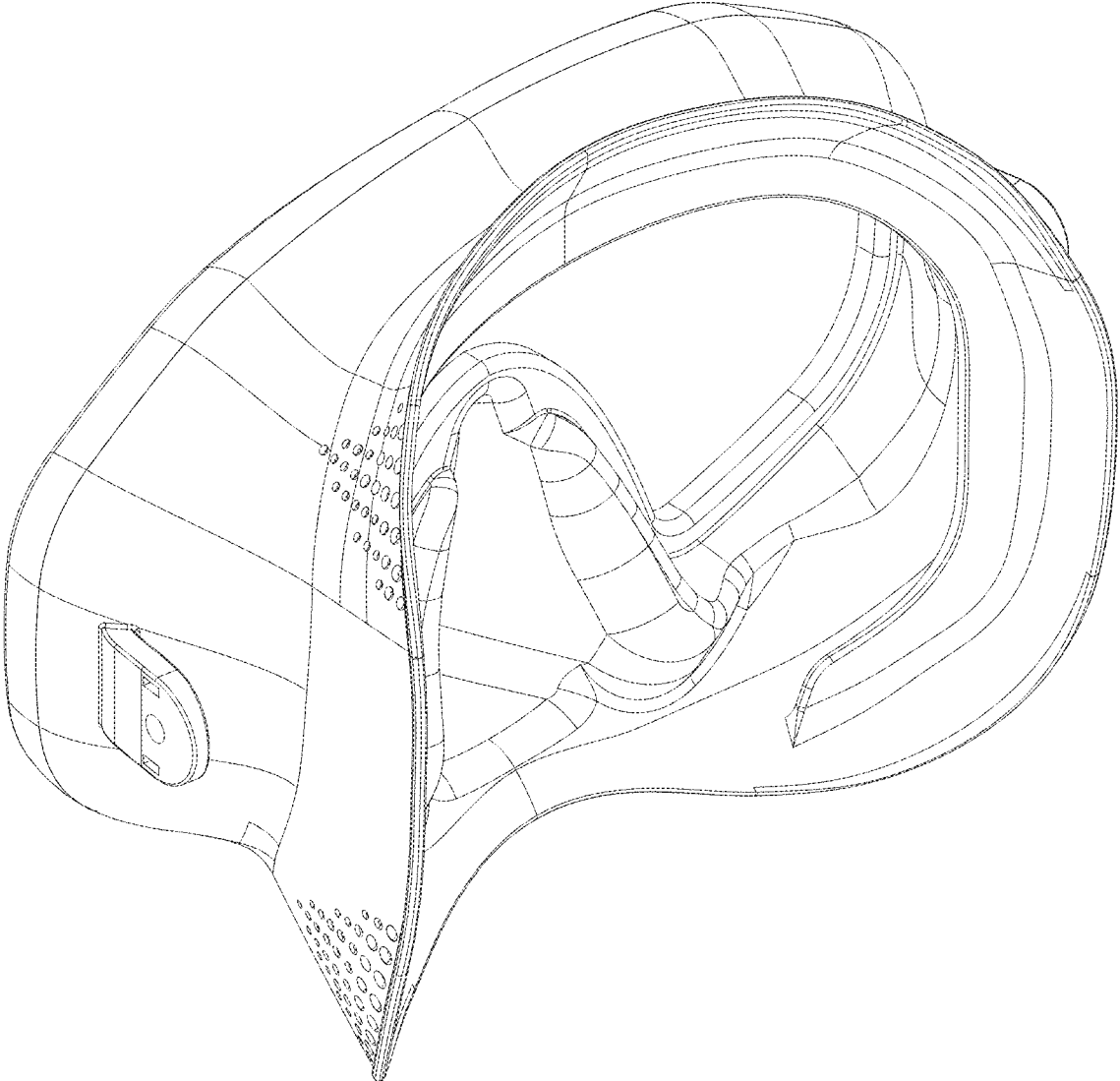


FIG. 8

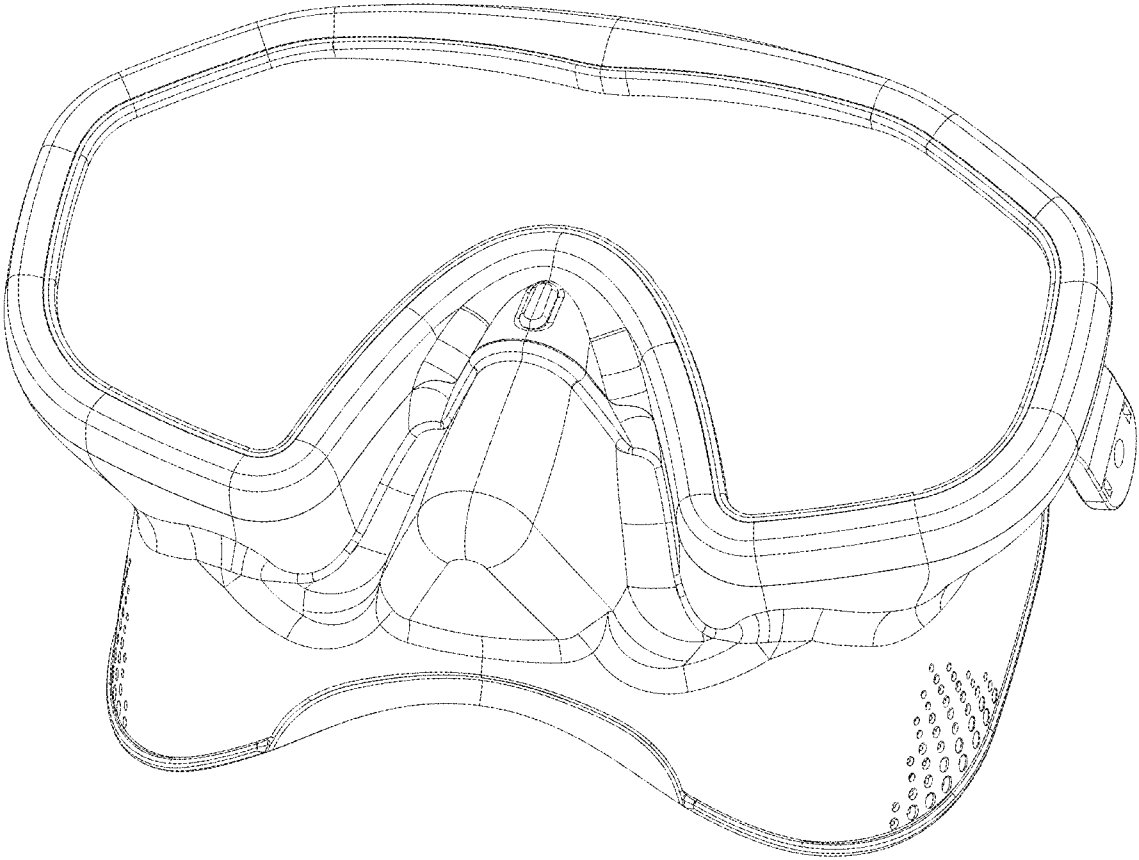


FIG. 9

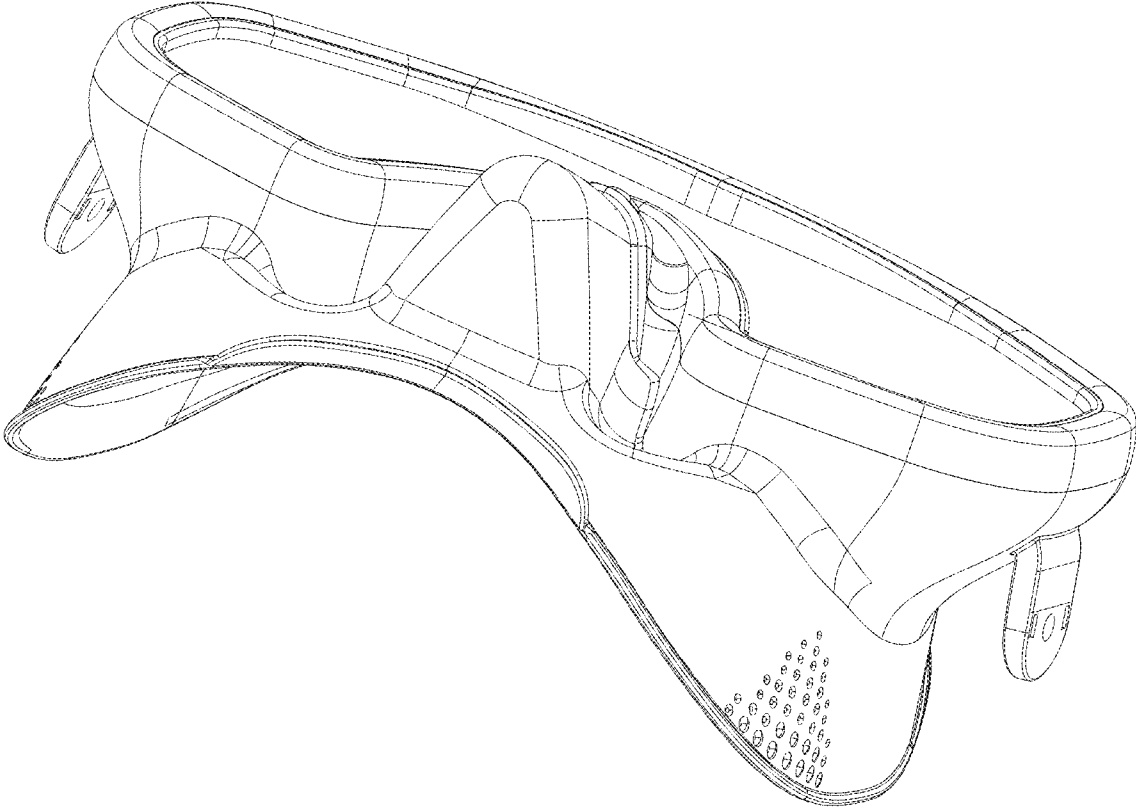


FIG. 10