



US00D939066S

(12) **United States Design Patent**
Thorne et al.

(10) **Patent No.:** **US D939,066 S**

(45) **Date of Patent:** **** Dec. 21, 2021**

- (54) **LAVATORY BASIN**
- (71) Applicant: **Bradley Fixtures Corporation**,
Menomonee Falls, WI (US)
- (72) Inventors: **Scott Joseph Thorne**, Chicago, IL
(US); **Hyunchul Kim**, Chicago, IL
(US); **William L. Haas**, Richfield, WI
(US); **Cassandra Anne Schneider**,
Oconomowoc, WI (US)
- (73) Assignee: **Bradley Fixtures Corporation**,
Menomonee Falls, WI (US)
- (**) Term: **15 Years**
- (21) Appl. No.: **29/728,130**
- (22) Filed: **Mar. 16, 2020**
- (51) **LOC (13) Cl.** **23-02**
- (52) **U.S. Cl.**
USPC **D23/284**
- (58) **Field of Classification Search**
USPC D23/284, 286–287, 290, 292, 293.1, 308
CPC A47K 1/04; A47B 77/06
See application file for complete search history.

- D809,634 S 2/2018 Brandli
- D810,896 S 2/2018 Streng
- D810,897 S 2/2018 Streng
- D814,613 S 4/2018 Taylor et al.
- D823,445 S 6/2018 Adkison
- D825,038 S 8/2018 Corpuz
- D841,785 S 2/2019 Adkison et al.
- D849,213 S 5/2019 Wano

(Continued)

Primary Examiner — Robert A Delehanty
(74) *Attorney, Agent, or Firm* — Boyle Fredrickson, S.C.

(57) **CLAIM**

The ornamental design for a lavatory basin, substantially as shown and described.

DESCRIPTION

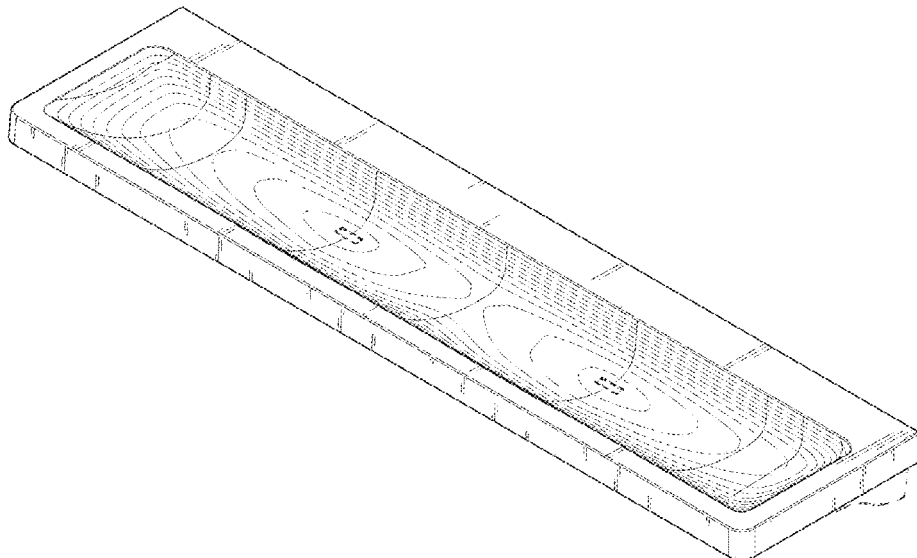
FIG. 1 is a front, raised perspective view of a lavatory basin according to the invention;
 FIG. 2 is a front view of the lavatory basin according to FIG. 1;
 FIG. 3 is a rear view of the lavatory system according to FIG. 1;
 FIG. 4 is a right side view of the lavatory system according to FIG. 1;
 FIG. 5 is a left side view of the lavatory system according to FIG. 1;
 FIG. 6 is a top view of the lavatory system according to FIG. 1;
 FIG. 7 is a bottom view of the lavatory system according to FIG. 1; and,
 FIG. 8 is a cross-sectional view of the lavatory system according to FIG. 6 taken along line 8-8.
 The broken lines shown in the drawings form no part of the claimed design. The surface shading illustrated in the drawings is provided merely to highlight the contour of the design and is not part of the claimed design. All surfaces not shown form no part of the claimed design.

1 Claim, 7 Drawing Sheets

(56) **References Cited**

U.S. PATENT DOCUMENTS

- D697,185 S 1/2014 Spangler
- D700,686 S 3/2014 Spangler
- D710,978 S 8/2014 Spangler
- D721,426 S * 1/2015 Bartlett D23/290
- D735,837 S * 8/2015 Bartlett D23/290
- D735,838 S 8/2015 Bartlett et al.
- 9,157,223 B2 * 10/2015 Kempen E03C 1/18
- D744,074 S * 11/2015 Adkison D23/284
- D745,120 S 12/2015 Adkison et al.
- D745,122 S 12/2015 Schonherr et al.
- D745,951 S 12/2015 Schonherr et al.
- D803,996 S 11/2017 Brandli
- D804,621 S 12/2017 Brandli



(56)

References Cited

U.S. PATENT DOCUMENTS

RE47,467 E *	7/2019	Bartlett	A47K 1/04
			D23/290
D861,143 S	9/2019	Taylor et al.	
D869,622 S	10/2019	Streng	
D890,311 S *	7/2020	Belozerova	D23/290
D892,990 S *	8/2020	Thorne	D23/293.1
D913,457 S *	3/2021	Haas	D23/290

* cited by examiner

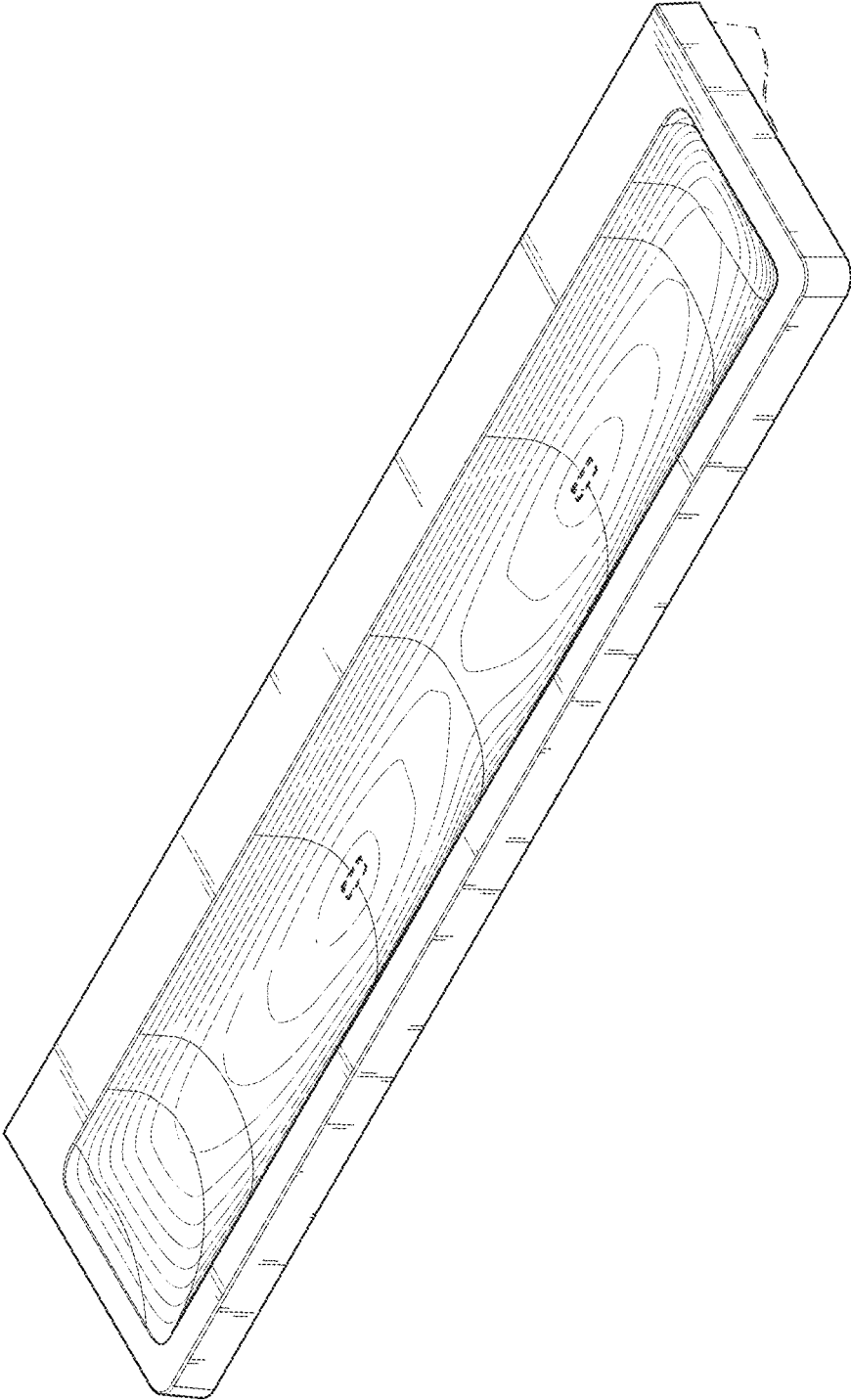


FIG. 1

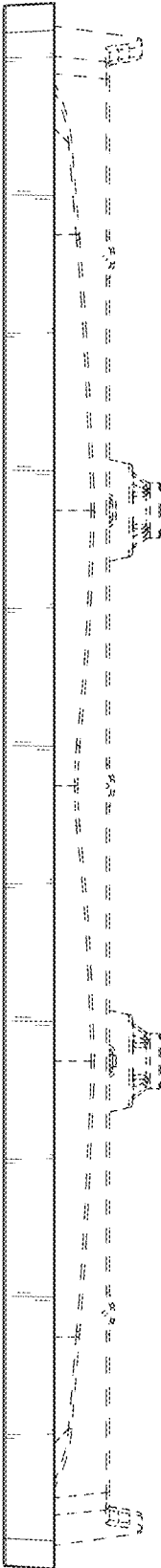


FIG. 2

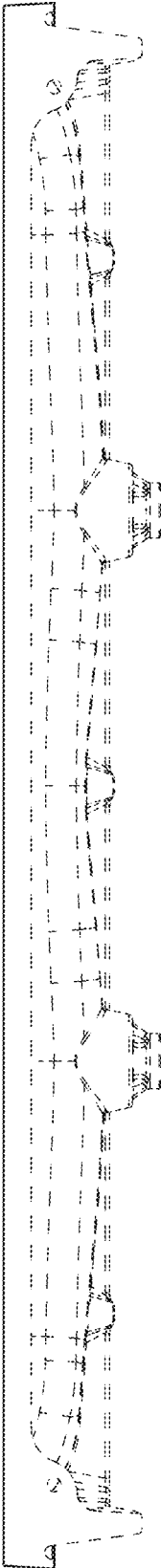


FIG. 3



FIG. 5



FIG. 4

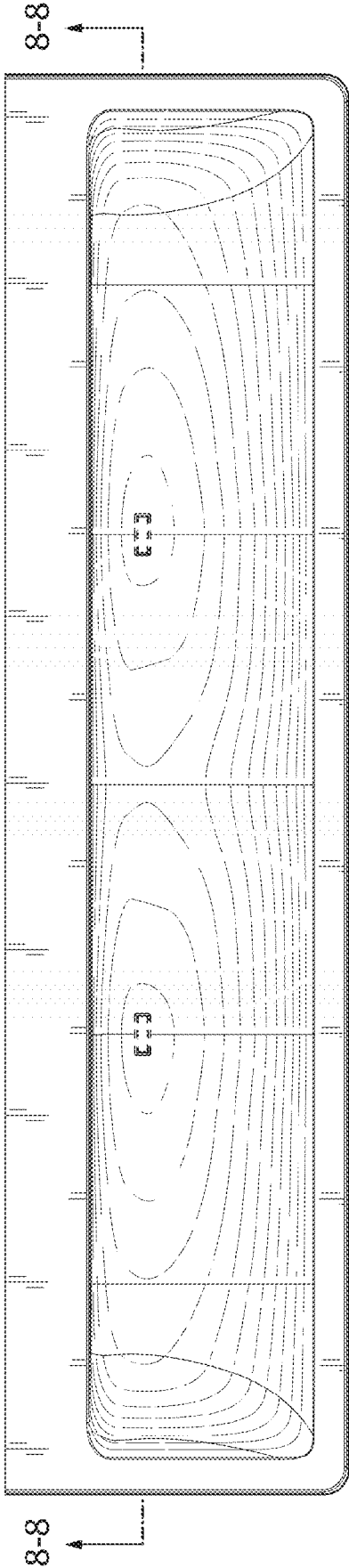


FIG. 6

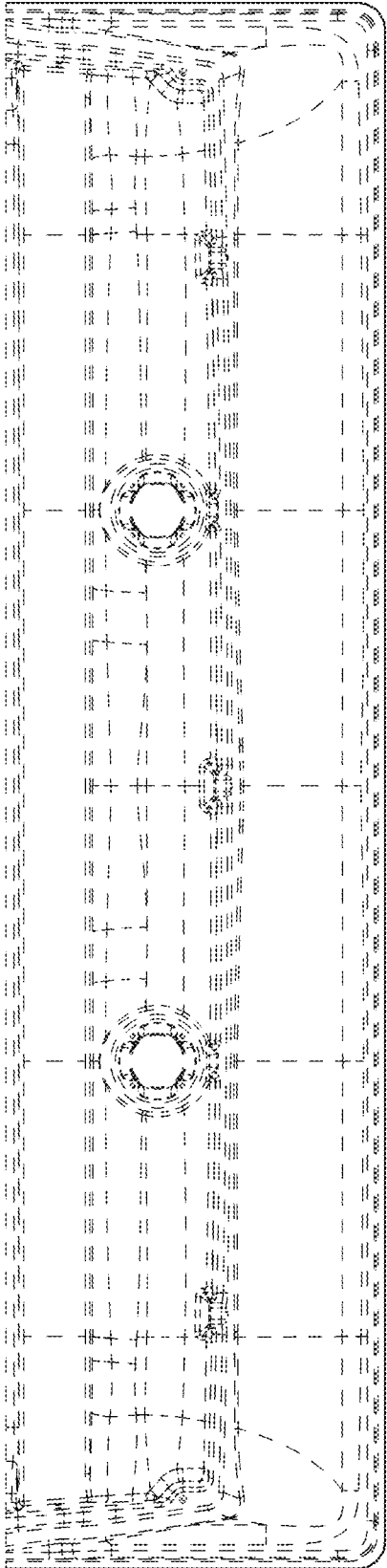


FIG. 7

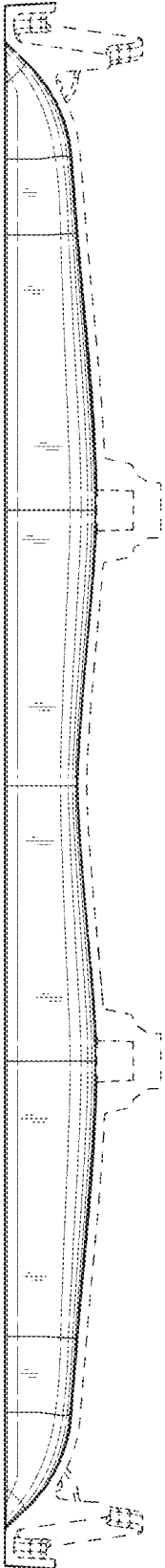


FIG. 8