

# United States Patent [19]

Straubinger

[11] Des. 269,578

[45] \*\* Jul. 5, 1983

[54] **MOLD FOR FORMING FROZEN FOOD PRODUCT**

[76] Inventor: **Paul Straubinger**, 21-33 28th St., Astoria, N.Y. 11105

[\*\*] Term: **14 Years**

[21] Appl. No.: **143,312**

[22] Filed: **Apr. 24, 1980**

[51] Int. Cl. .... **D07-04**

[52] U.S. Cl. .... **D7/43**

[58] Field of Search ..... **D1/22, 21; D7/43, 41; 249/92, 121**

[56] **References Cited**

**U.S. PATENT DOCUMENTS**

D. 188,386 7/1960 Hultstrum et al. .... **D7/43**

D. 188,992	10/1960	Morrison	.....	D7/43
2,032,483	3/1936	Isenberg	.....	D7/43 X
2,946,207	7/1960	Hultstrum	.....	D7/43 X
4,239,175	12/1980	Straubinger	.....	249/92

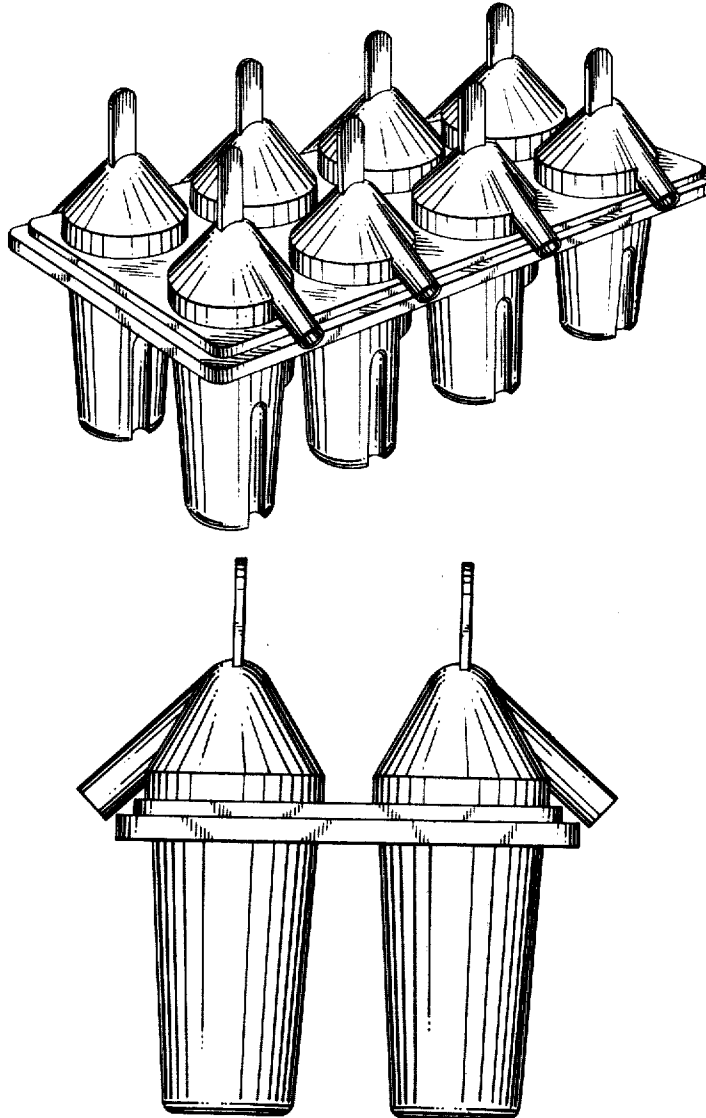
*Primary Examiner*—Winifred E. Herrmann  
*Attorney, Agent, or Firm*—Gerard F. Dunne

[57] **CLAIM**

The ornamental design for a mold for forming frozen food product, as shown and described.

**DESCRIPTION**

FIG. 1 is a top perspective view of a mold for forming frozen food product showing my new design; FIG. 2 is a front or rear side elevational view thereof; FIG. 3 is a left or right end elevational view thereof; and FIG. 4 is a bottom plan view thereof.



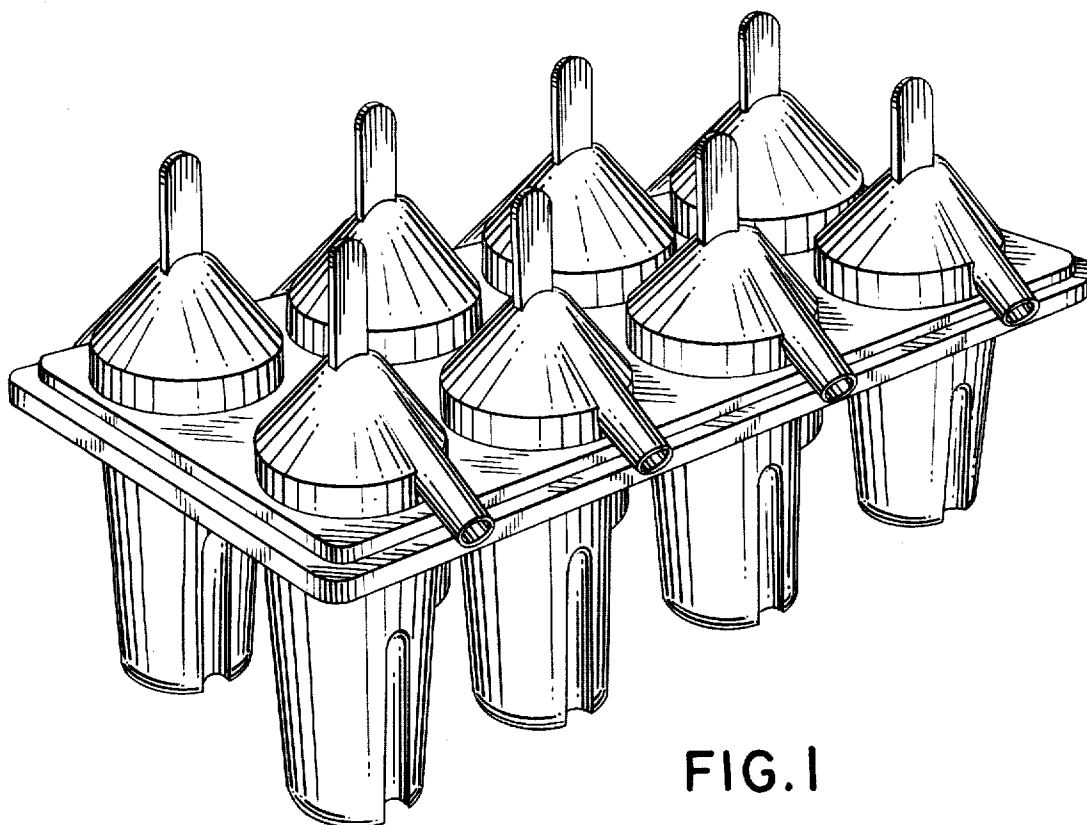


FIG. 1

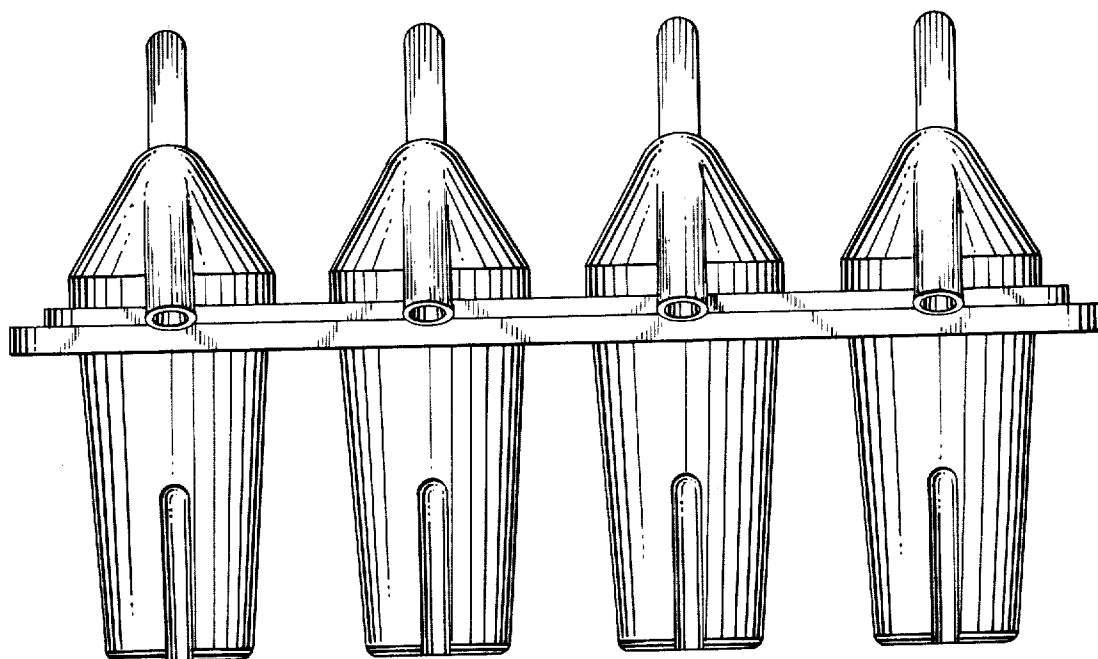


FIG. 2

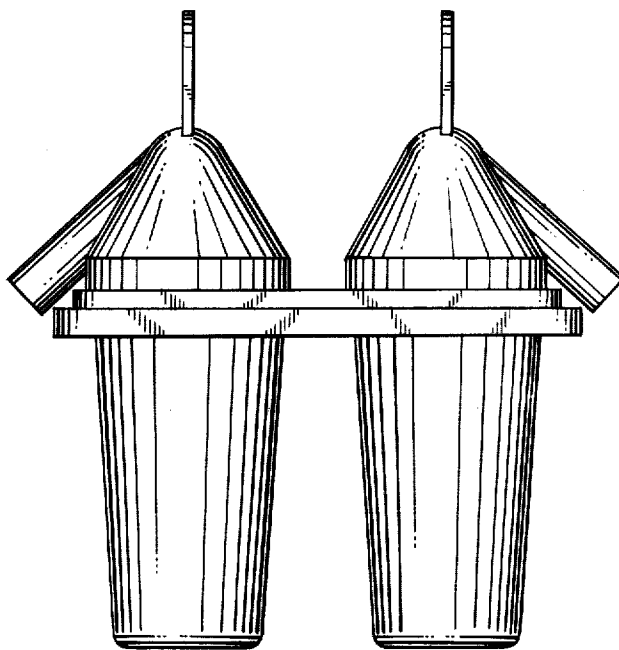


FIG. 3

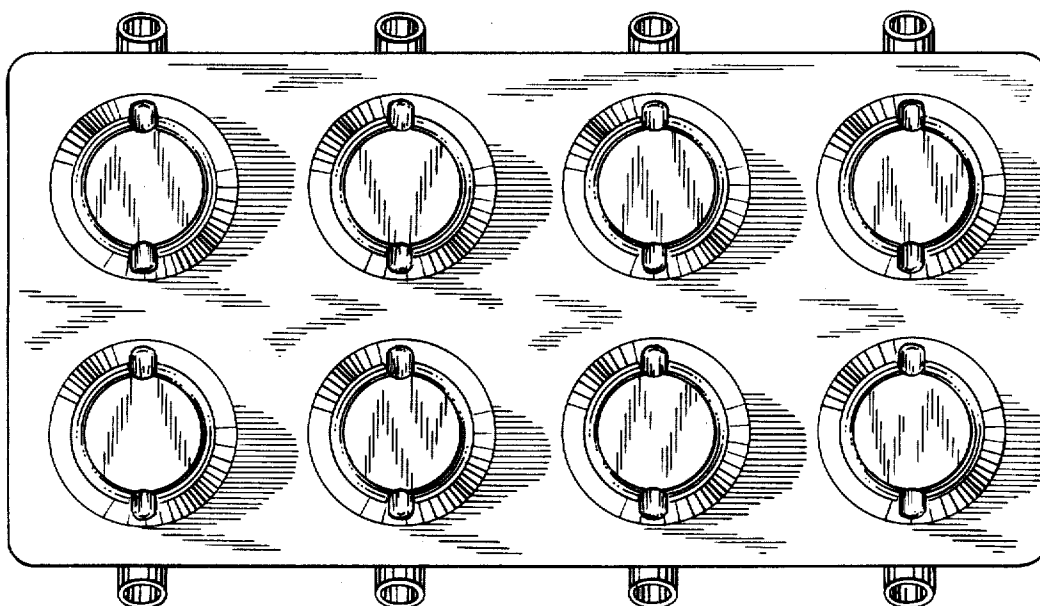


FIG. 4