



US00D384534S

United States Patent [19] Kiggins

[11] Patent Number: **Des. 384,534**
[45] Date of Patent: ****Oct. 7, 1997**

[54] **DISPLAY HOLDER**

[75] Inventor: **Timothy Reed Kiggins**, Syracuse, N.Y.

[73] Assignee: **Pass & Seymour**, Solvay, N.Y.

[**] Term: **14 Years**

[21] Appl. No.: **52,030**

[22] Filed: **Mar. 21, 1996**

[51] **LOC (6) Cl.** **07-06**

[52] **U.S. Cl.** **D6/567**

[58] **Field of Search** D6/566, 567, 553,
D6/512, 569-572; D8/363, 373; 211/44,
60.1, 70.6, 86-87, 106, 59.1-59.4; 248/205.1,
300-305, 309.1

[56] **References Cited**

U.S. PATENT DOCUMENTS

D. 248,730 8/1978 Blann D6/566 X
D. 260,674 9/1981 Simmons et al. D6/552
D. 329,349 9/1992 Moreno D6/567

D. 352,413 11/1994 Ballard D6/553 X
1,939,027 12/1933 Stewart 248/220.2 X
4,366,908 1/1983 Anderson 211/87

Primary Examiner—Susan J. Lucas
Assistant Examiner—Pamela Burgess
Attorney, Agent, or Firm—Bond Schoeneck & King LLP

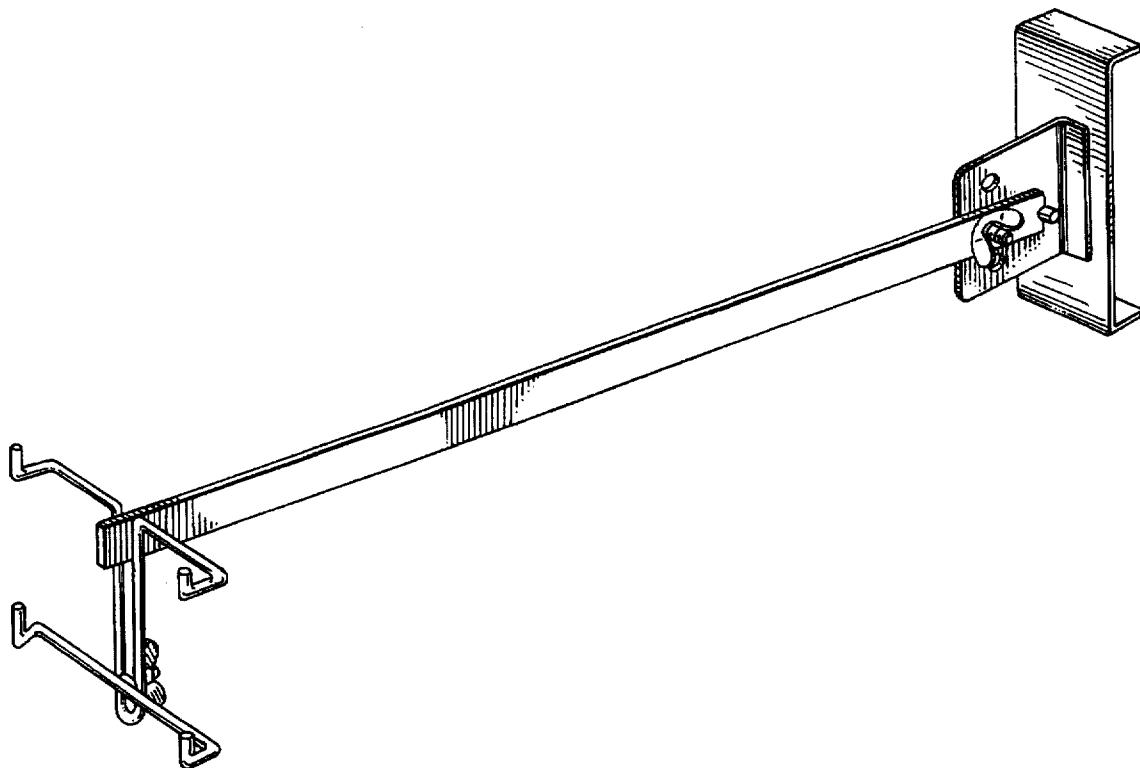
[57] **CLAIM**

The ornamental design for a display holder, as shown and described.

DESCRIPTION

FIG. 1 is a top front right perspective view of a display holder, showing my new design; FIG. 2 is a front elevation thereof; FIG. 3 is a rear elevation view thereof; FIG. 4 is a right side view thereof; FIG. 5 is a bottom plan view thereof; FIG. 6 is a left side view thereof; and, FIG. 7 is a top plan view thereof.

1 Claim, 4 Drawing Sheets



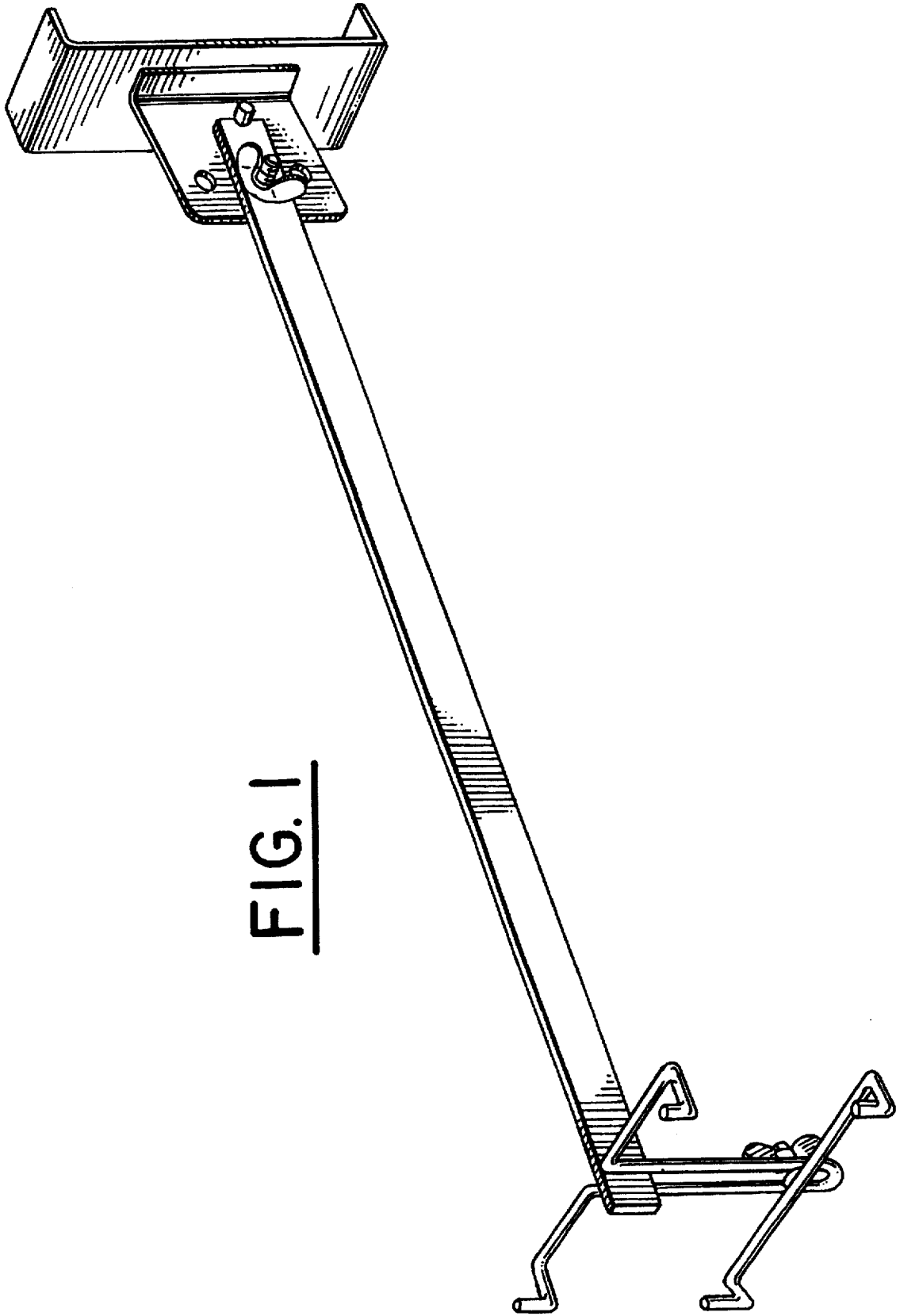


FIG. 1

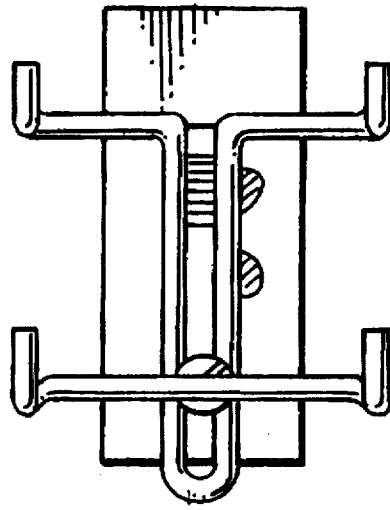


FIG. 2

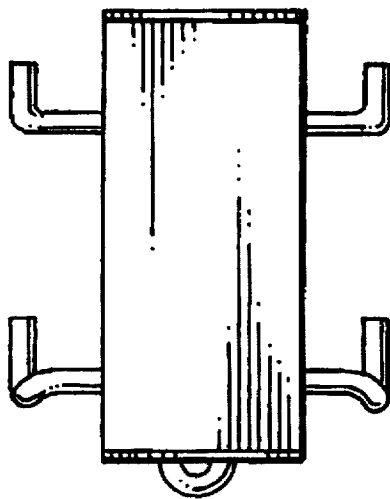


FIG. 3

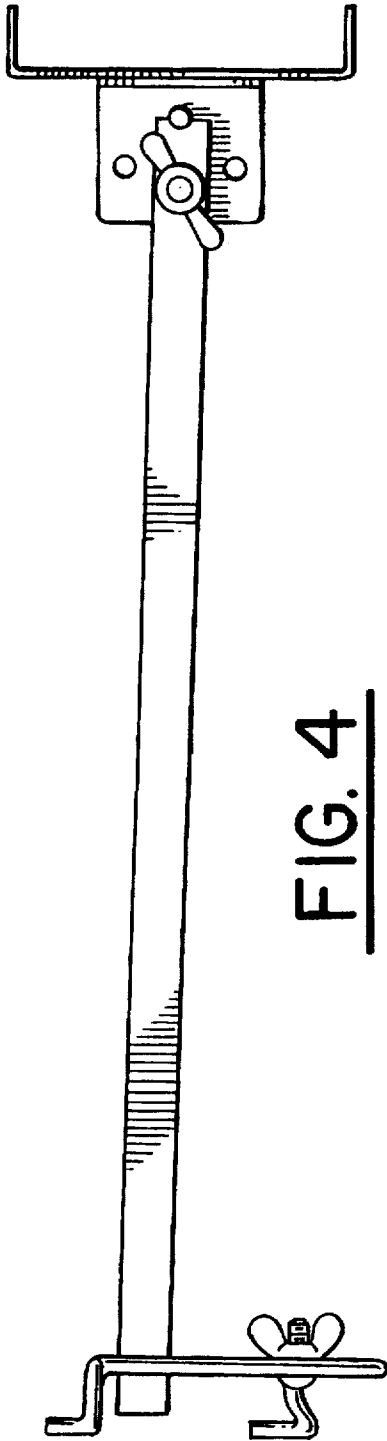


FIG. 4

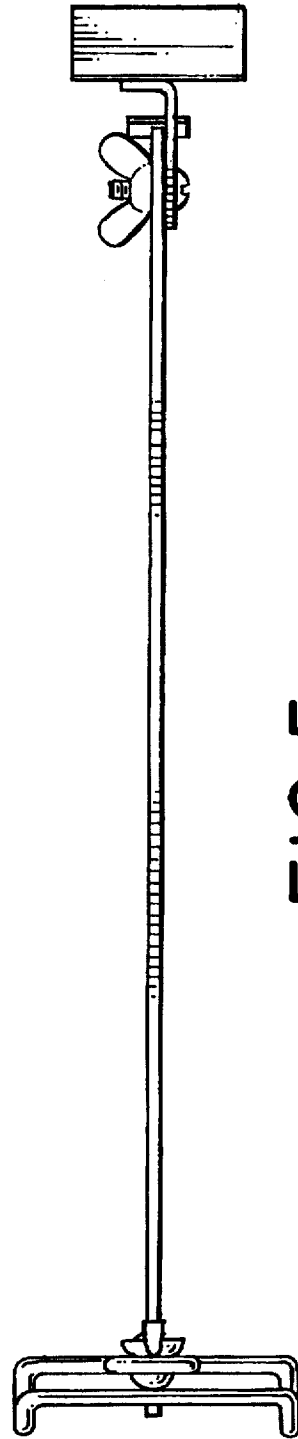


FIG. 5

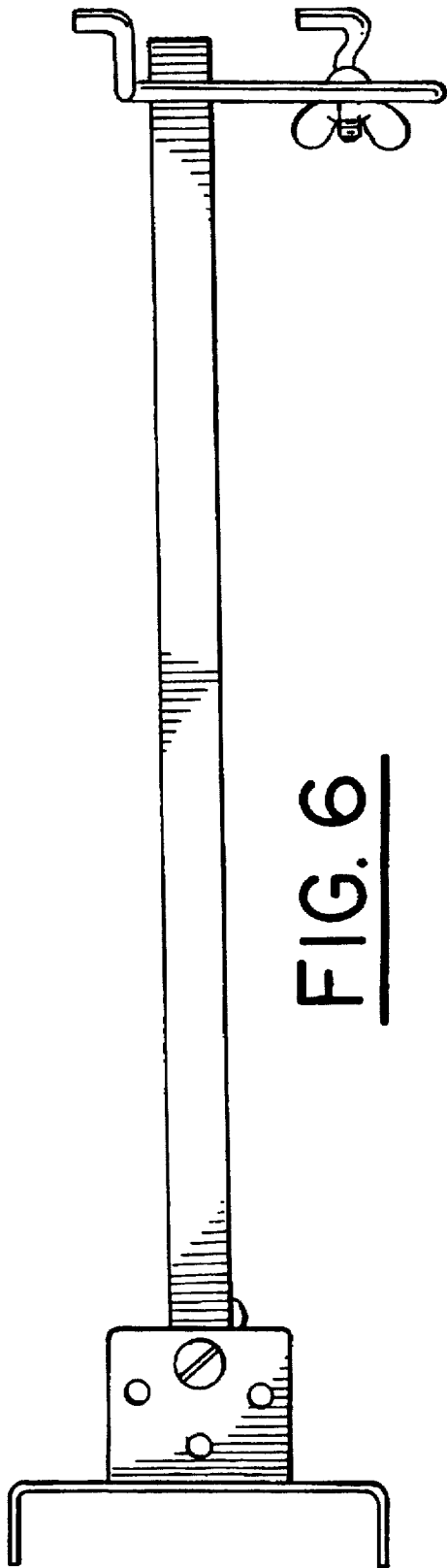


FIG. 6

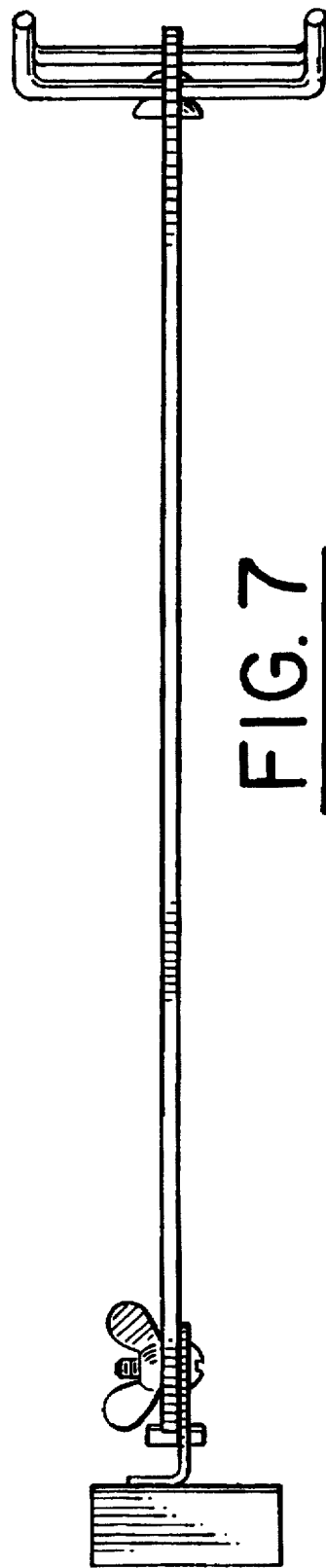


FIG. 7