



US00D831746S

(12) **United States Design Patent**
Lim et al.

(10) **Patent No.:** **US D831,746 S**
(45) **Date of Patent:** **** Oct. 23, 2018**

(54) **DIGITAL SIGNAGE**
(71) Applicant: **LG ELECTRONICS INC.**, Seoul (KR)

D675,767 S * 2/2013 Guercio D26/68
D733,957 S * 7/2015 Tragatschnig D26/63
D775,990 S * 1/2017 White D10/113.2
D775,991 S * 1/2017 White D10/113.2
2018/0160282 A1* 6/2018 van de Poll H04W 4/30

(72) Inventors: **Jaewon Lim**, Seoul (KR); **Byungmu Huh**, Seoul (KR)

* cited by examiner

(73) Assignee: **LG ELECTRONICS INC.**, Seoul (KR)

Primary Examiner — George D. Kirschbaum
(74) *Attorney, Agent, or Firm* — Birch, Stewart, Kolasch & Birch, LLP

(**) Term: **15 Years**

(57) **CLAIM**

(21) Appl. No.: **35/503,233**

The ornamental design for a digital signage, as shown and described.

(22) Filed: **Dec. 23, 2016**

DESCRIPTION

(80) **Hague Agreement Data**

Int. Filing Date: **Dec. 23, 2016**
Int. Reg. No.: **DM/094186**
Int. Reg. Date: **Dec. 23, 2016**
Int. Reg. Pub. Date: **Jun. 23, 2017**

The patent or application file contains at least one drawing executed in color. Copies of this patent or patent application publication with color drawing(s) will be provided by the Office upon request and payment of the necessary fee.

(30) **Foreign Application Priority Data**

Jun. 24, 2016 (KR) 30-2016-0031016

(51) **LOC (11) Cl.** **20-02**

(52) **U.S. Cl.**
USPC **D20/10; D10/113.2**

(58) **Field of Classification Search**
USPC D10/113.2; D26/63; D25/126; D20/16, D20/19, 21, 10
CPC H04W 4/30
See application file for complete search history.

1. Digital signage

- 1.1 : Perspective
- 1.2 : Front
- 1.3 : Left
- 1.4 : Top
- 1.5 : Bottom
- 1.6 : Reference view

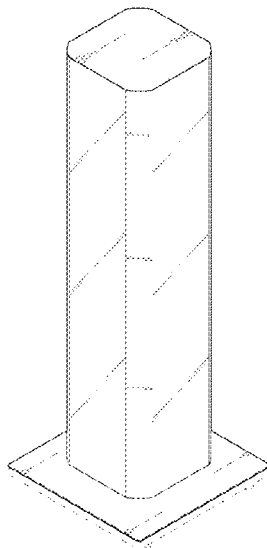
Reproduction 1.1 is a perspective view of a digital signage; reproduction 1.2 is a front view thereof where the back view is a mirror image; reproduction 1.3 is a left view thereof where the right view is a mirror image; reproduction 1.4 is a top view thereof; reproduction 1.5 is a bottom view thereof; reproduction 1.6 is a reference view thereof showing an example of the usage of the subject design; the broken lines depict portions of the digital signage that form no part of the claimed design; reproduction 1.6 forms no part of the claimed design.

(56) **References Cited**

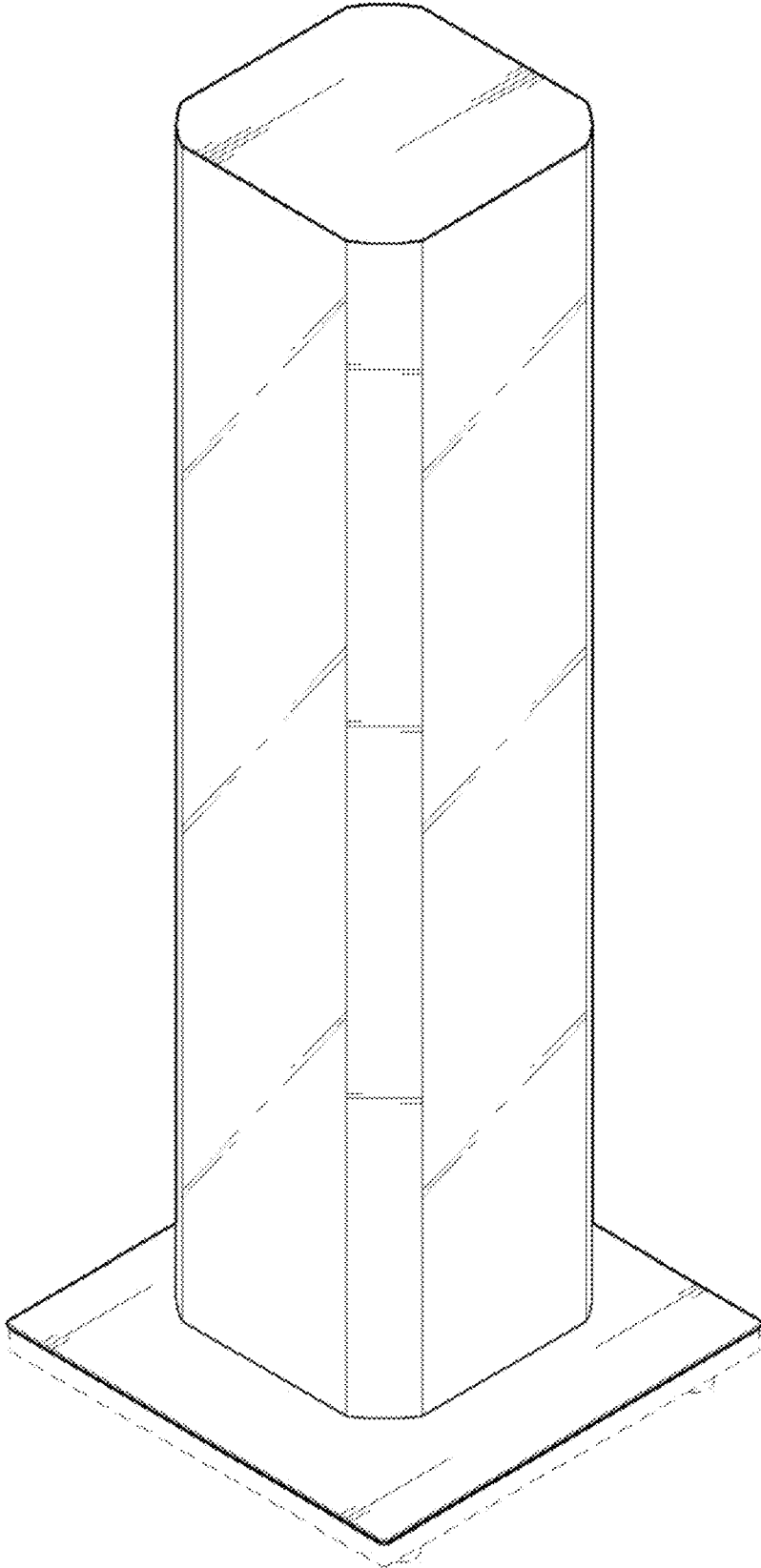
U.S. PATENT DOCUMENTS

D414,713 S * 10/1999 Renk D10/113.2
D671,659 S * 11/2012 Clayton D25/126

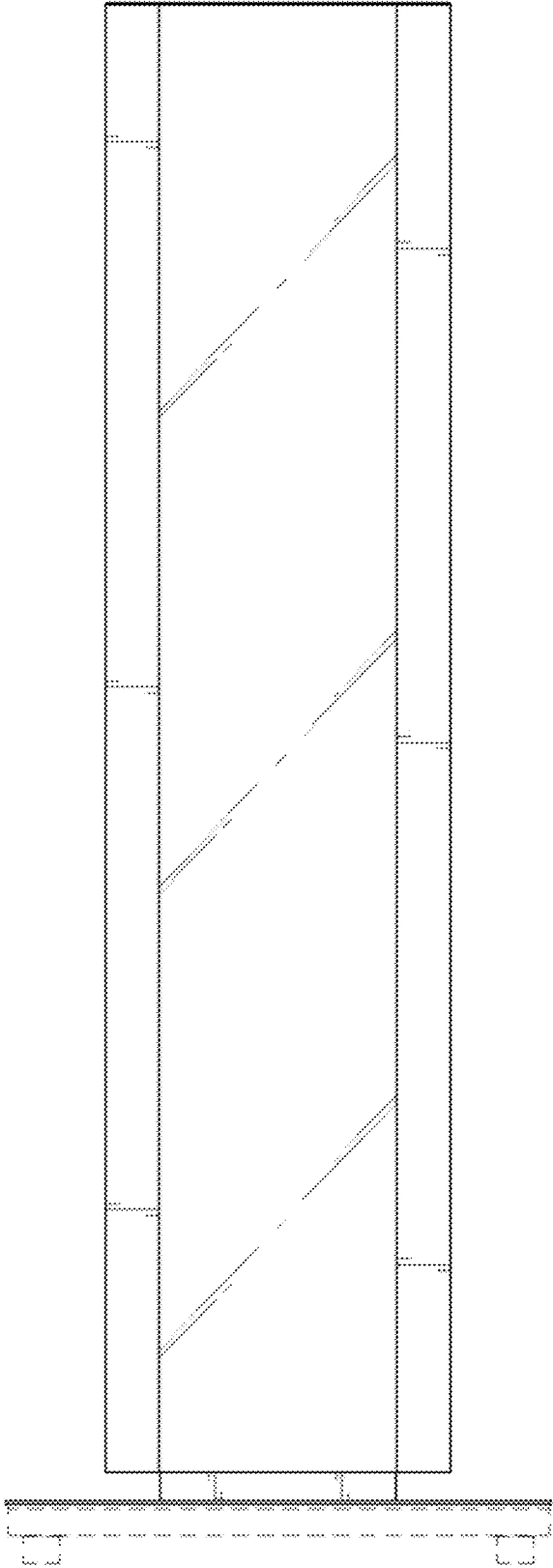
1 Claim, 6 Drawing Sheets
(1 of 6 Drawing Sheet(s) Filed in Color)



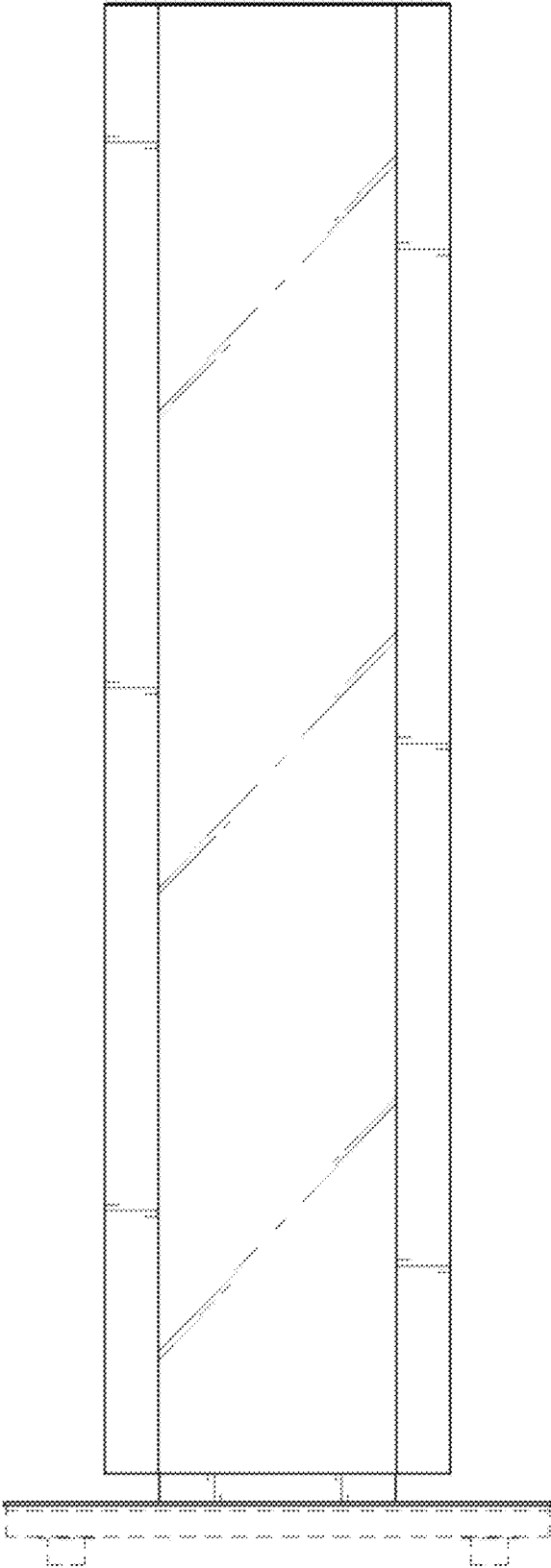
1.1



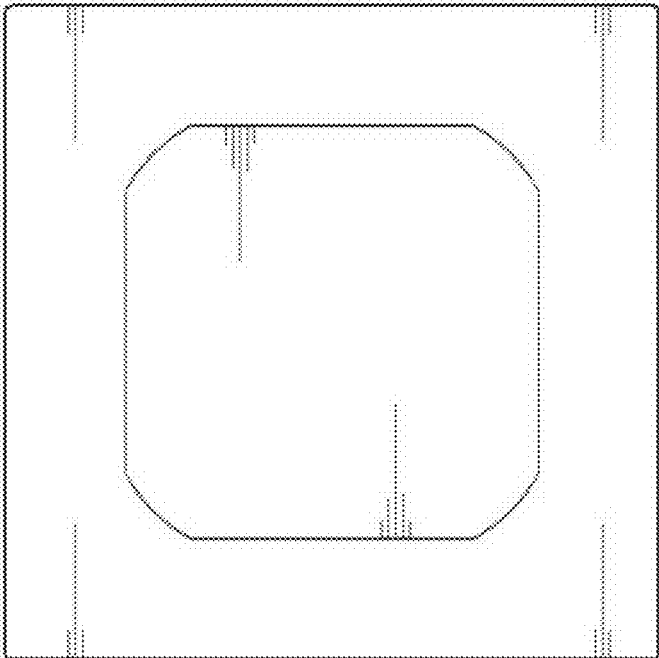
1.2



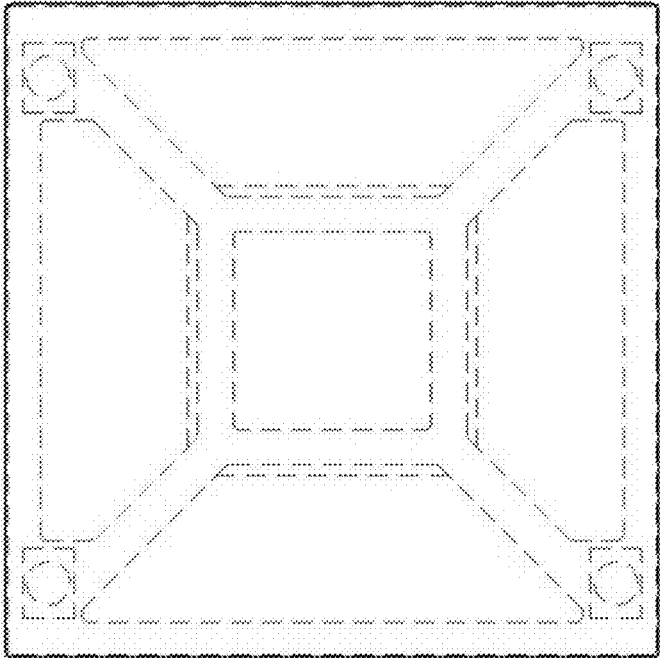
1.3



1.4



1.5



1.6

