

[54] TWO PIECE DECK MOUNTED ANCHOR CHOCK

[75] Inventor: Marshall R. Hart, Palm Beach Gardens, Fla.

[73] Assignee: Attwood Corporation, Lowell, Mich.

[**] Term: 14 Years

[21] Appl. No.: 873,282

[22] Filed: Jan. 30, 1978

[51] Int. Cl. D8-08

[52] U.S. Cl. D8/354; D8/349;
D8/356; D8/382

[58] Field of Search 114/294-310;
D12/217, 215; D8/349, 354, 356, 380, 382, 394;
9/46

[56]

References Cited

U.S. PATENT DOCUMENTS

1,322,003	11/1919	Freeman	9/46
1,373,768	4/1921	Schat	9/46
4,019,455	4/1977	Hungerford	114/298

OTHER PUBLICATIONS

Goldbergs' Marine Catalog 1977, p. 139, item I, anchor chocks.

Primary Examiner—A. Hugo Word
Attorney, Agent, or Firm—Peter P. Price

[57]

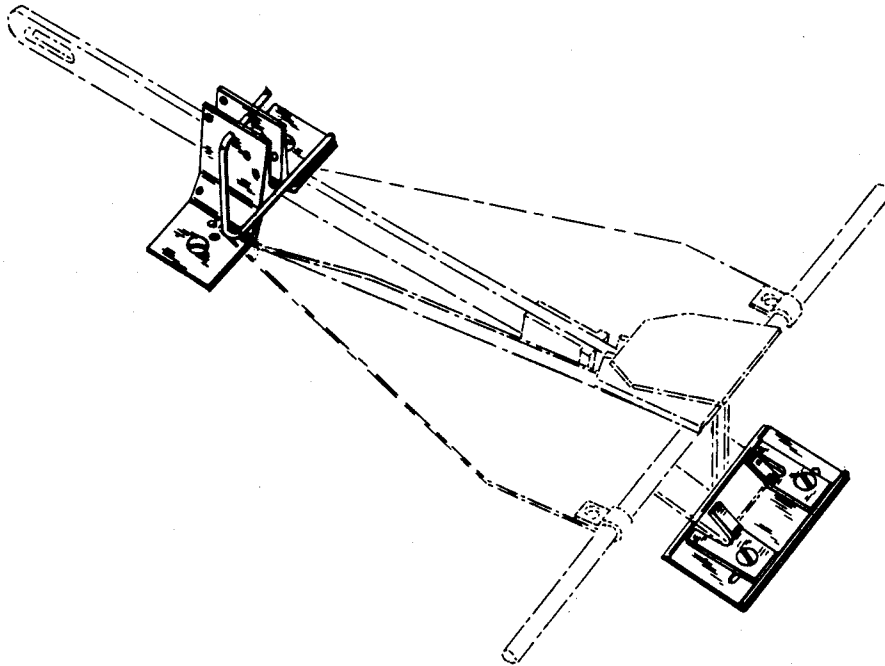
CLAIM

The ornamental design for a two piece deck mounted anchor chock, substantially as shown and described.

DESCRIPTION

FIG. 1 is a perspective view of a two piece deck mounted anchor chock showing my new design, the anchor shown in dotted lines being disclosed for illustrative purposes only and form no part of the claimed article; and,

FIG. 2 is an enlarged perspective view thereof.



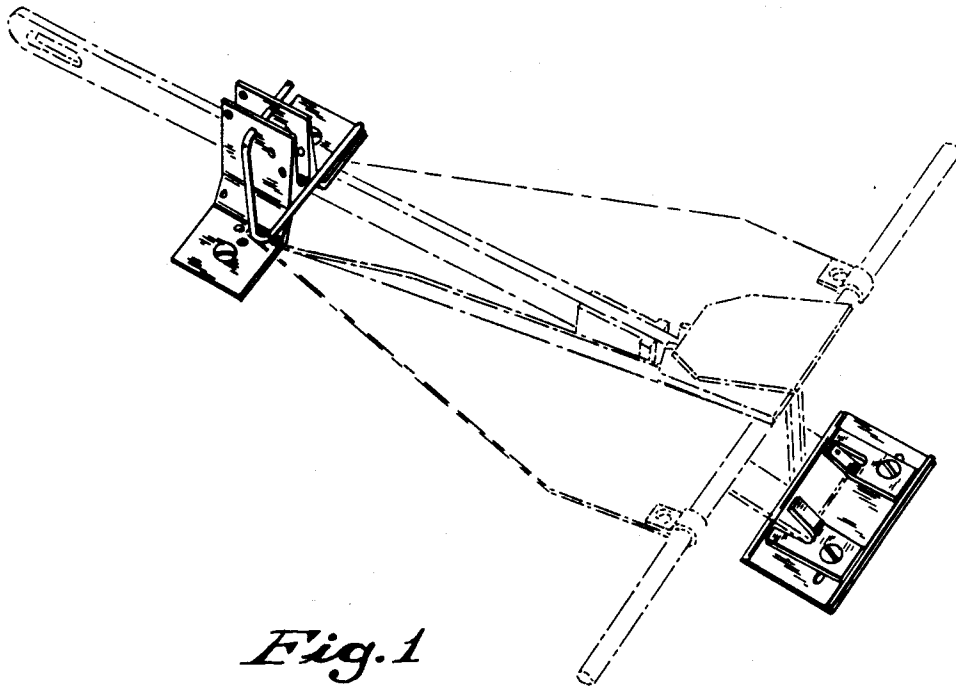


Fig. 1

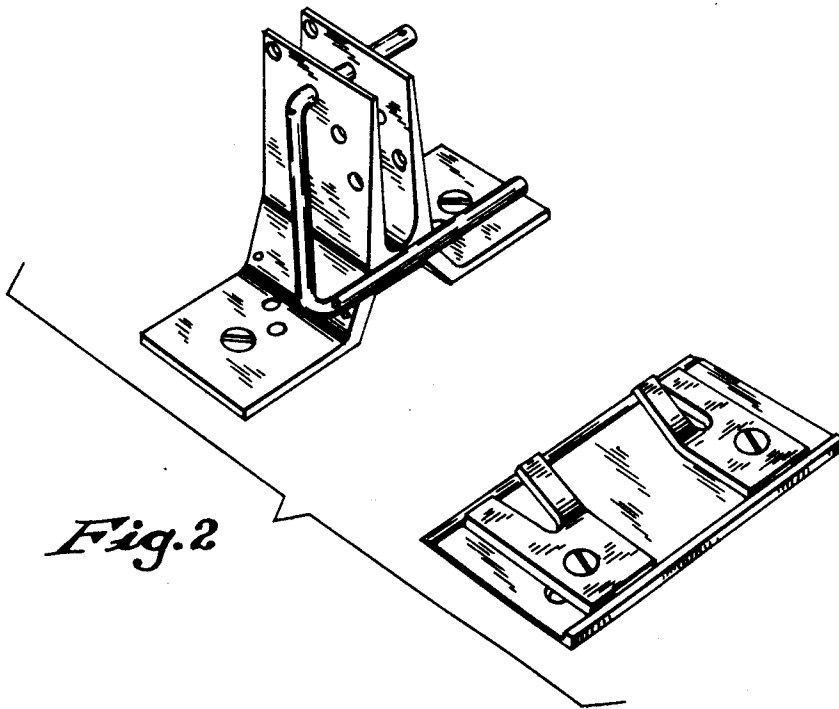


Fig. 2