



- (51) International Patent Classification:
B29C 47/20 (2006.01)
- (21) International Application Number:
PCT/IN2012/000004
- (22) International Filing Date:
3 January 2012 (03.01.2012)
- (25) Filing Language: English
- (26) Publication Language: English
- (30) Priority Data:
21/MUM/2011 4 January 2011 (04.01.2011) IN
- (71) Applicant (for all designated States except US): **JAIN IRRIGATION SYSTEMS LIMITED** [IN/IN]; Jain Plastic Park, N. H. No. 6, Bambhori, Jalgaon 425001 (IN).
- (72) Inventors; and
- (75) Inventors/Applicants (for US only): **PATRICK DEFRANK, Michael** [US/US]; 19472 Farallon Road, Madera, CA 93638 (US). **DOUGLAS, Wynn, Mark** [US/US]; 1424 West Caruthers, Avenue Caruthers, CA 93609 (US).
- (74) Agent: **ROY CHOWDHURY, Mahua**; Intellectual Property Services., Calcot House, 3rd Floor, 8/10, M. P. Shetty Marg, Fort, Mumbai 400023, Maharashtra (IN).
- (81) Designated States (unless otherwise indicated, for every kind of national protection available): AE, AG, AL, AM, AO, AT, AU, AZ, BA, BB, BG, BH, BR, BW, BY, BZ,

CA, CH, CL, CN, CO, CR, CU, CZ, DE, DK, DM, DO, DZ, EC, EE, EG, ES, FI, GB, GD, GE, GH, GM, GT, HN, HR, HU, ID, IL, IN, IS, JP, KE, KG, KM, KN, KP, KR, KZ, LA, LC, LK, LR, LS, LT, LU, LY, MA, MD, ME, MG, MK, MN, MW, MX, MY, MZ, NA, NG, NI, NO, NZ, OM, PE, PG, PH, PL, PT, QA, RO, RS, RU, RW, SC, SD, SE, SG, SK, SL, SM, ST, SV, SY, TH, TJ, TM, TN, TR, TT, TZ, UA, UG, US, UZ, VC, VN, ZA, ZM, ZW.

- (84) Designated States (unless otherwise indicated, for every kind of regional protection available): ARIPO (BW, GH, GM, KE, LR, LS, MW, MZ, NA, RW, SD, SL, SZ, TZ, UG, ZM, ZW), Eurasian (AM, AZ, BY, KG, KZ, MD, RU, TJ, TM), European (AL, AT, BE, BG, CH, CY, CZ, DE, DK, EE, ES, FI, FR, GB, GR, HR, HU, IE, IS, IT, LT, LU, LV, MC, MK, MT, NL, NO, PL, PT, RO, RS, SE, SI, SK, SM, TR), OAPI (BF, BJ, CF, CG, CI, CM, GA, GN, GQ, GW, ML, MR, NE, SN, TD, TG).

Declarations under Rule 4.17:

- as to applicant's entitlement to apply for and be granted a patent (Rule 4.17(ii))
- of inventorship (Rule 4.17(iv))

Published:

- with international search report (Art. 21(3))

(88) Date of publication of the international search report:

11 October 2012

(54) Title: APPARATUS AND METHOD OF MANUFACTURING PRESSURE COMPENSATOR TYPE DRIP IRRIGATION TUBES WITH DESIRED MOLECULAR ORIENTATION AND TUBES OBTAINED THEREBY

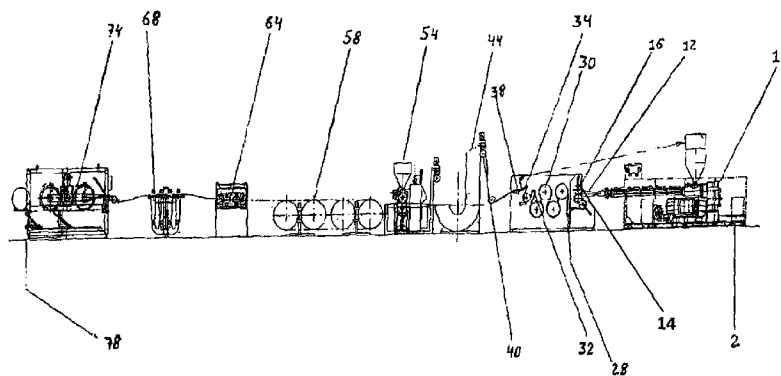


FIGURE 1

(57) Abstract: Apparatus and method of manufacturing pressure compensator type drip irrigation tubes with desired molecular orientation and tubes obtained thereby a method for manufacturing high speed pressure compensator - type drip irrigation tubes and the tubes obtained thereby having absolute radial orientation of molecular chains, the orientation imparting strength as well as flexibility to the tube material. The said method comprises extruding a tube using a plurality of extruders; blowing up the extruded tube by introducing a pressure inside the tube relatively higher than the pressure outside the tube; drawing the blown tube simultaneously to the blowing of tube.



INTERNATIONAL SEARCH REPORT

International application No.

PCT/IN2012/000004

A. CLASSIFICATION OF SUBJECT MATTER
 IPC(8) - B29C 47/20 (2012.01)
 USPC - 264/165
 According to International Patent Classification (IPC) or to both national classification and IPC

B. FIELDS SEARCHED

Minimum documentation searched (classification system followed by classification symbols)
 IPC(8) - B28B 3/20; B29C 39/14, 41/24, 47/00, 47/12, 47/20 (2012.01)
 USPC - 264/165, 176.1, 209.1, 209.3, 209.4, 209.5; 425/325, 326.1

Documentation searched other than minimum documentation to the extent that such documents are included in the fields searched

Electronic data base consulted during the international search (name of data base and, where practicable, search terms used)
 MicroPatent

C. DOCUMENTS CONSIDERED TO BE RELEVANT

Category*	Citation of document, with indication, where appropriate, of the relevant passages	Relevant to claim No.
A	US 5,449,487 A (JARVENKYLA) 12 September 1995 (12.09.1995) entire document	1-21
A	US 7,751,923 B2 (KOENIG et al) 06 July 2010 (06.07.2010) entire document	1-21
A	US 4,642,152 A (CHAPIN) 10 February 1987 (10.02.1987) entire document	1-21
A	US 5,591,293 A (MILLER et al) 07 January 1997 (07.01.1997) entire document	1-21

Further documents are listed in the continuation of Box C.

- * Special categories of cited documents:
- "A" document defining the general state of the art which is not considered to be of particular relevance
 - "E" earlier application or patent but published on or after the international filing date
 - "L" document which may throw doubts on priority claim(s) or which is cited to establish the publication date of another citation or other special reason (as specified)
 - "O" document referring to an oral disclosure, use, exhibition or other means
 - "P" document published prior to the international filing date but later than the priority date claimed
 - "T" later document published after the international filing date or priority date and not in conflict with the application but cited to understand the principle or theory underlying the invention
 - "X" document of particular relevance; the claimed invention cannot be considered novel or cannot be considered to involve an inventive step when the document is taken alone
 - "Y" document of particular relevance; the claimed invention cannot be considered to involve an inventive step when the document is combined with one or more other such documents, such combination being obvious to a person skilled in the art
 - "&" document member of the same patent family

Date of the actual completion of the international search 03 July 2012	Date of mailing of the international search report 13 JUL 2012
---	--

Name and mailing address of the ISA/US Mail Stop PCT, Attn: ISA/US, Commissioner for Patents P.O. Box 1450, Alexandria, Virginia 22313-1450 Facsimile No. 571-273-3201	Authorized officer: Blaine R. Copenheaver PCT Helpdesk: 571-272-4300 PCT OSP: 571-272-7774
---	---