



US00D513288S

(12) **United States Design Patent**
Panatta

(10) **Patent No.:** **US D513,288 S**

(45) **Date of Patent:** **** Dec. 27, 2005**

(54) **BODY-BUILDING MACHINE**

6,394,936 B1 * 5/2002 Voris 482/100

(76) Inventor: **Rodolfo Panatta**, Via Madonna della Fonte, 2, 62021-Apiro MC (IT)

(**) Term: **14 Years**

(21) Appl. No.: **29/197,987**

(22) Filed: **Jan. 23, 2004**

(51) **LOC (6) Cl.** **21-02**

(52) **U.S. Cl.** **D21/676**

(58) **Field of Search** D21/662, 673,
D21/674, 675, 676; 482/93, 94, 95, 97,
98, 99, 100, 101, 133, 134, 135, 137, 138

(56) **References Cited**

U.S. PATENT DOCUMENTS

D239,399 S	*	3/1976	Clarke	D21/675
D321,028 S	*	10/1991	Jones	D21/676
5,322,489 A	*	6/1994	Webb et al.	482/38
5,580,341 A	*	12/1996	Simonson	482/100
5,597,375 A	*	1/1997	Simonson	482/100
5,643,152 A	*	7/1997	Simonson	482/138
5,749,813 A	*	5/1998	Domzalski	482/97
6,302,833 B1	*	10/2001	Ellis et al.	482/100

OTHER PUBLICATIONS

Gopher Catalog, Fall 2003, pp. 230 and 240, Power Source Selectorized Machines.*

* cited by examiner

Primary Examiner—Philip S. Hyder

(74) *Attorney, Agent, or Firm*—Armstrong, Kratz, Quintos, Hanson & Brooks, LLP

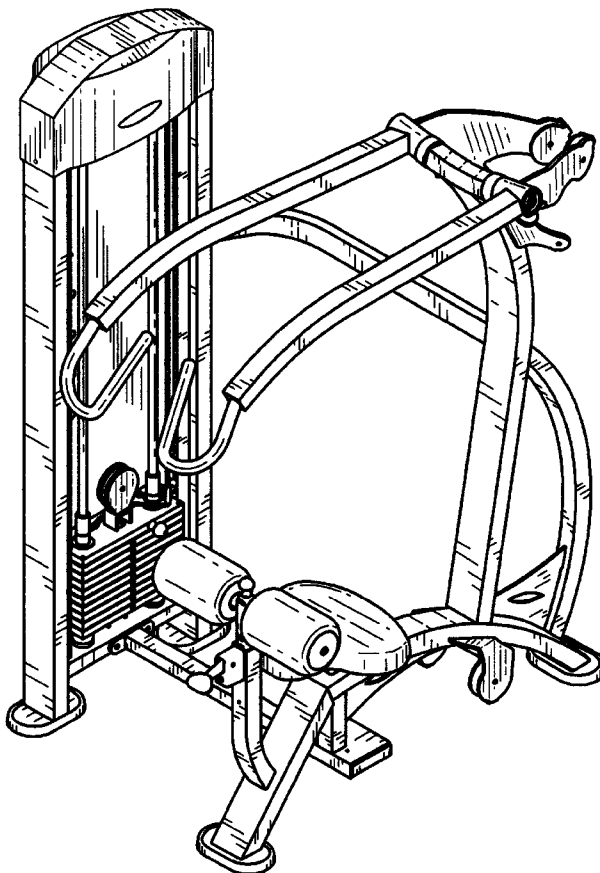
(57) **CLAIM**

I claim the ornamental design for a body-building machine, as shown and described.

DESCRIPTION

FIG. 1 is a front elevational view thereof.
FIG. 2 is a right side elevational view thereof.
FIG. 3 is a left side elevational view thereof.
FIG. 4 is a top plan elevational view thereof.
FIG. 5 is a bottom plan elevational view thereof.
FIG. 6 is a rear elevational view thereof; and,
FIG. 7 is a right perspective view of a body-building machine.

1 Claim, 7 Drawing Sheets



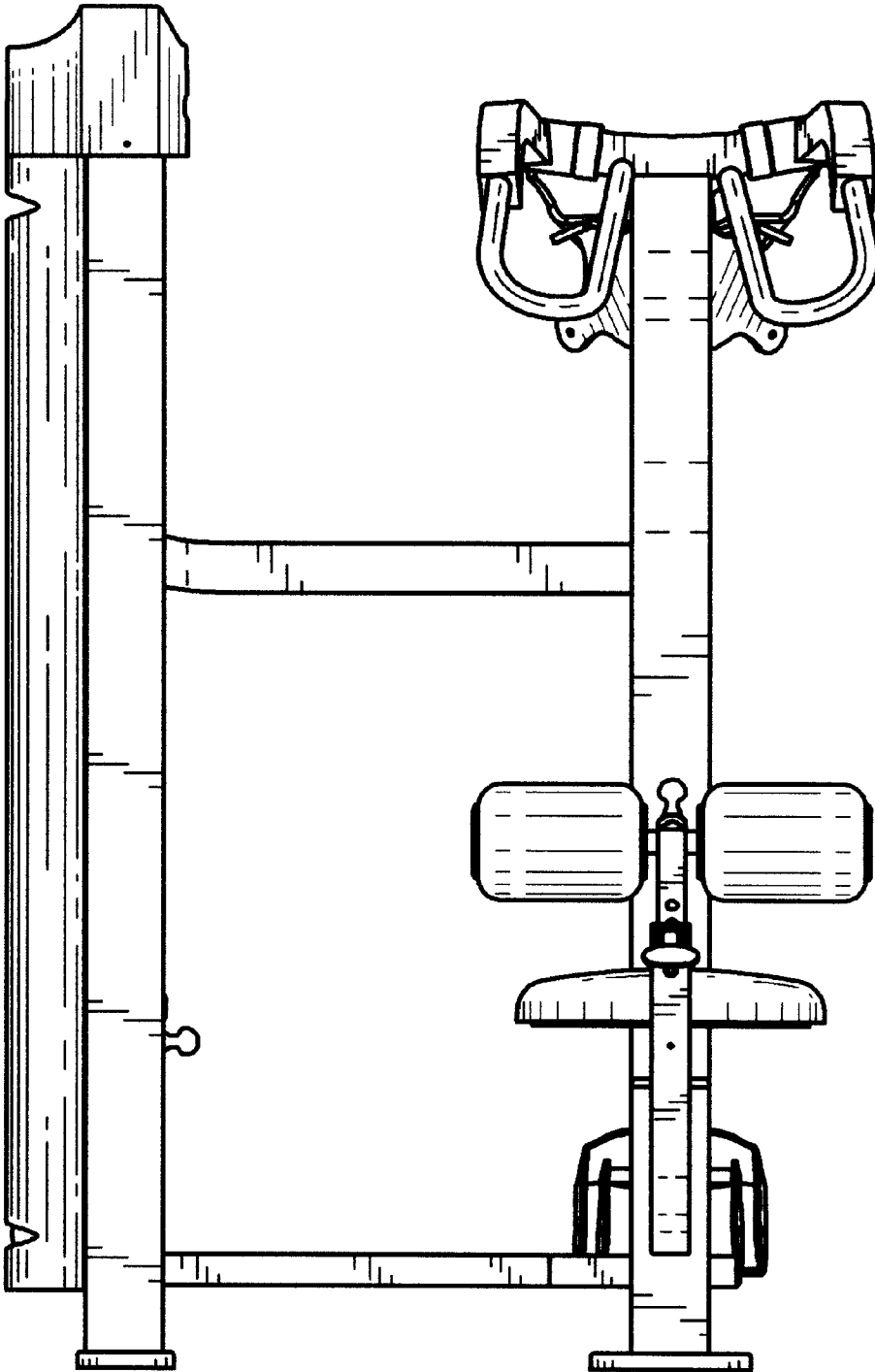


FIG. 1

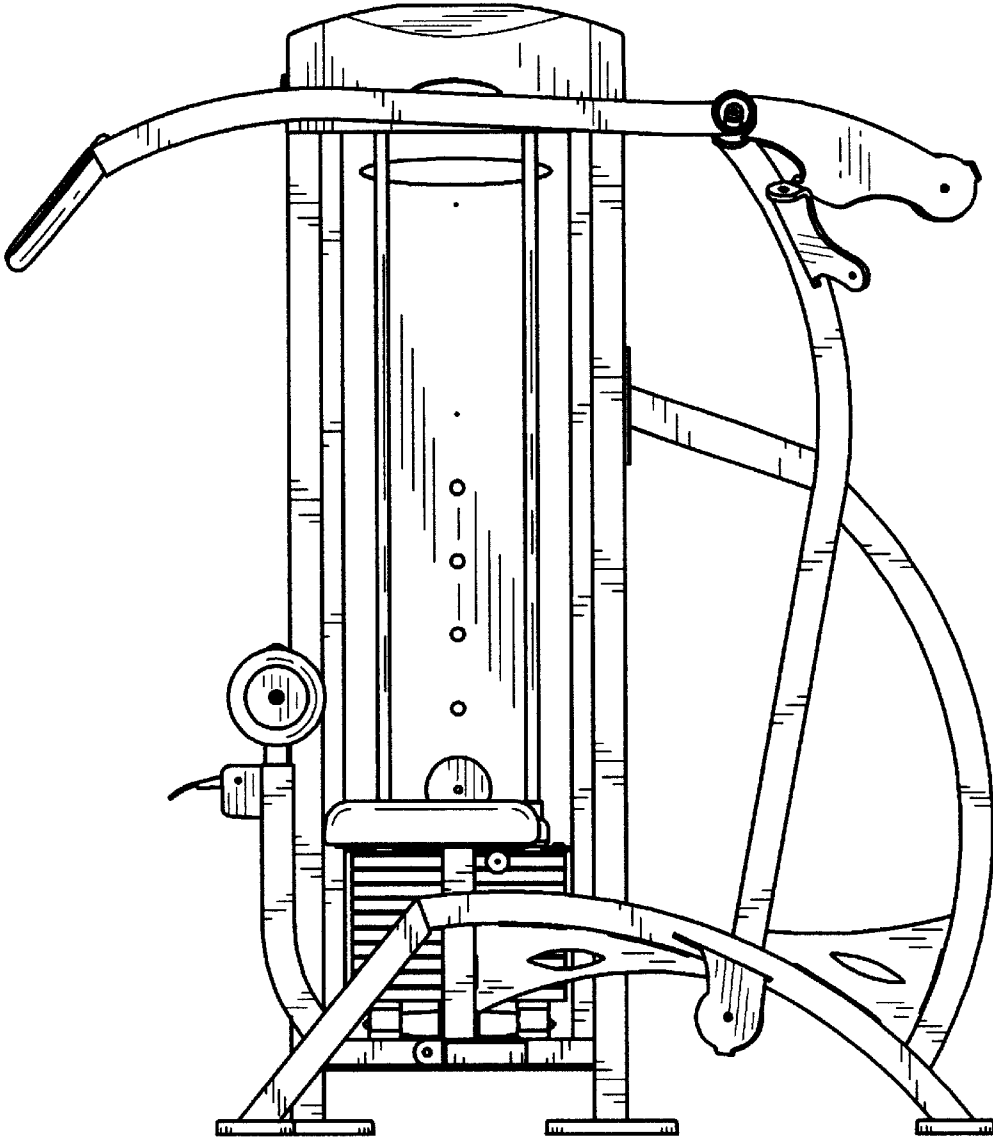


FIG. 2

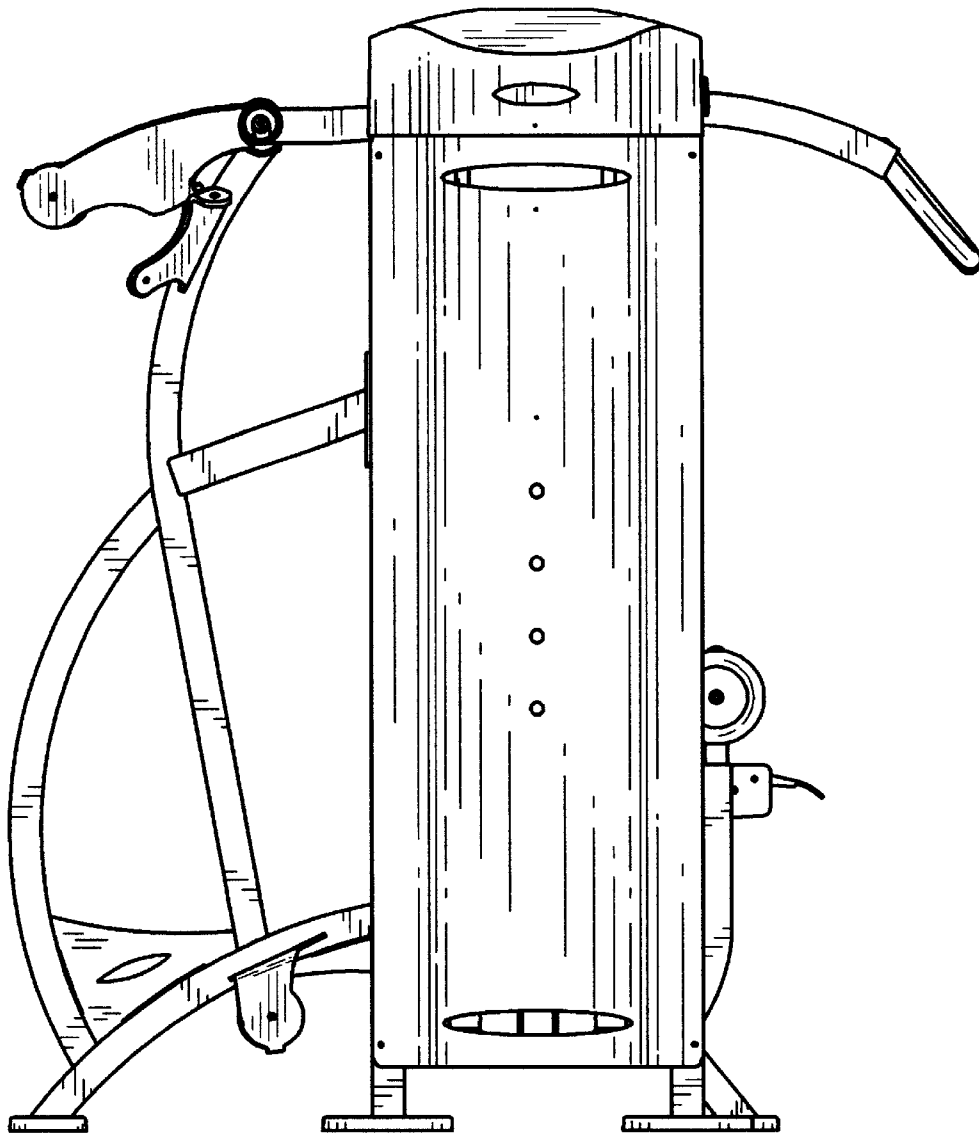


FIG. 3

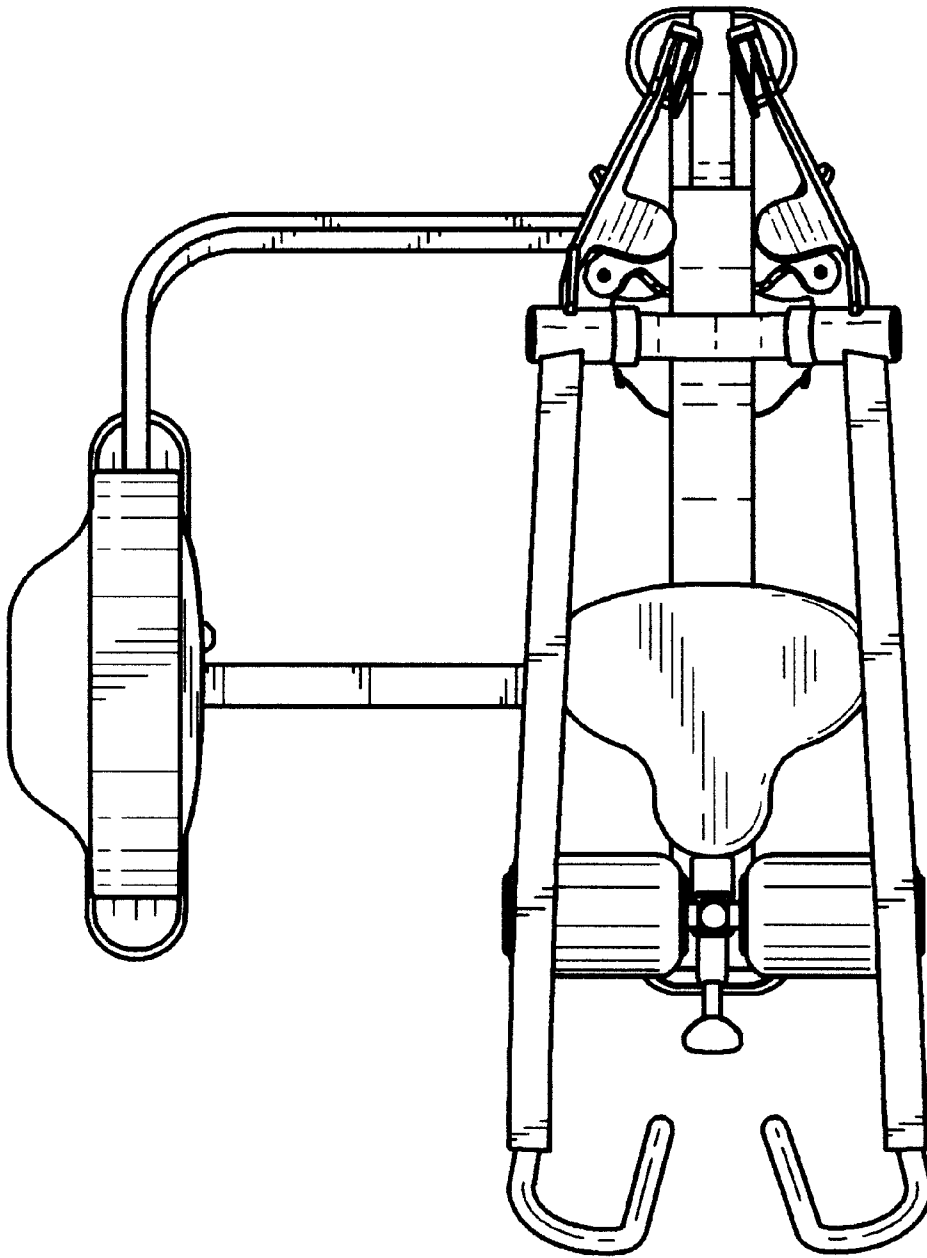


FIG. 4

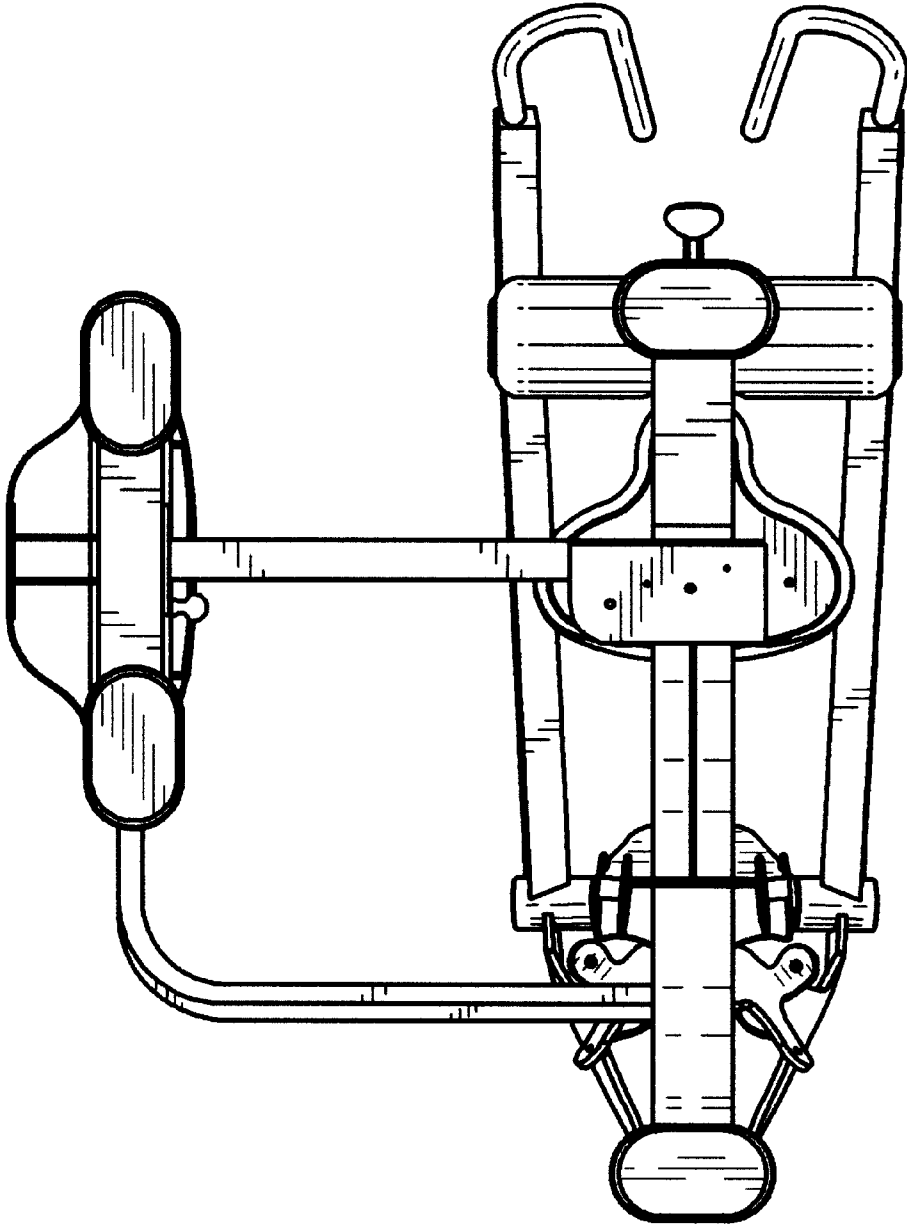


FIG. 5

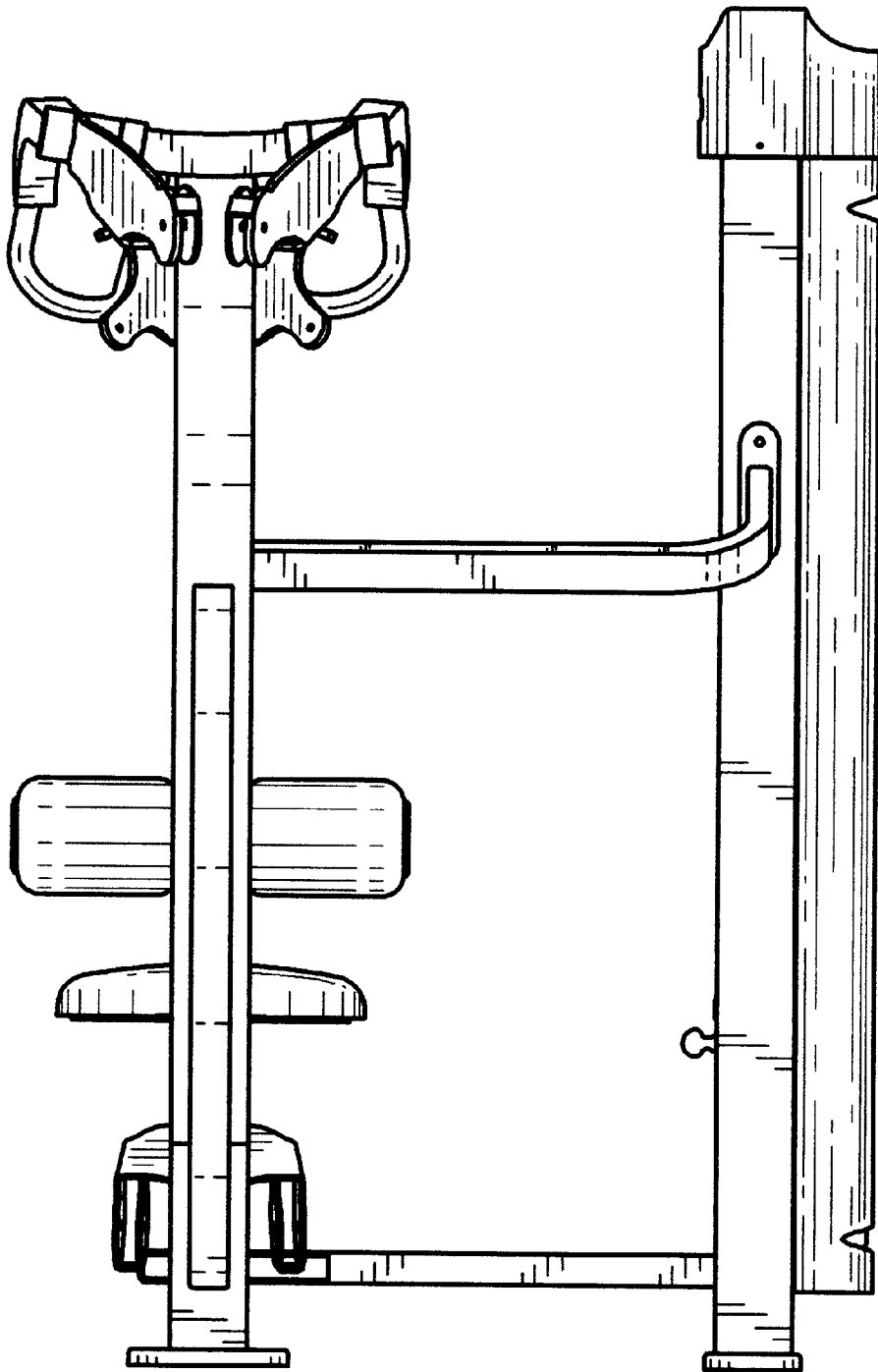


FIG. 6

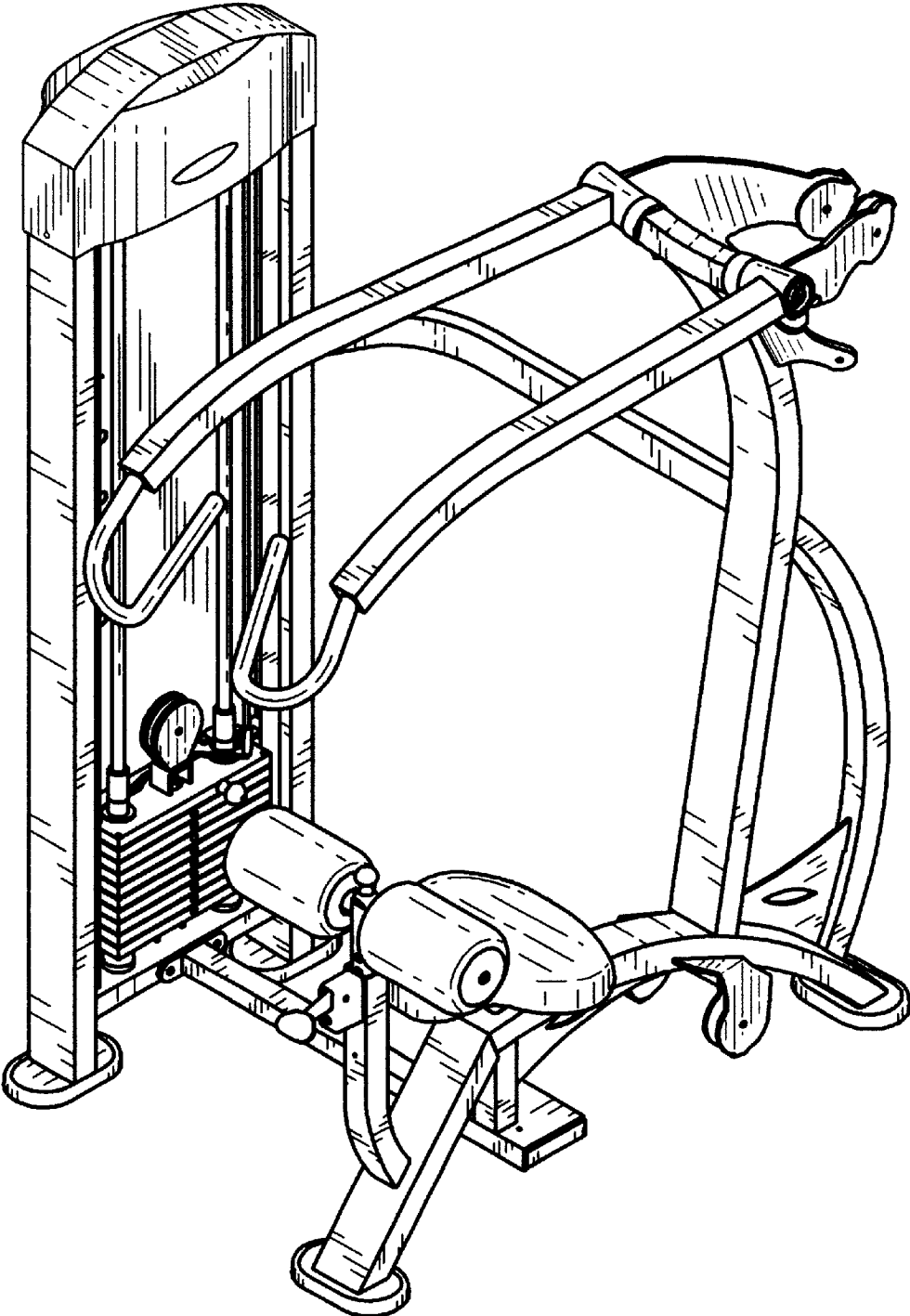


FIG. 7