



US00D863404S

(12) **United States Design Patent**  
**Karpenko et al.**

(10) **Patent No.:** **US D863,404 S**

(45) **Date of Patent:** **\*\* Oct. 15, 2019**

(54) **CAMERA**

(71) Applicant: **RYLO, INC.**, San Francisco, CA (US)

(72) Inventors: **Alexandre Karpenko**, San Francisco, CA (US); **Christopher Cunningham**, Redwood City, CA (US); **Jonathan Denby**, San Francisco, CA (US); **Christopher Connolly**, San Francisco, CA (US); **Lukas Skoog**, San Francisco, CA (US); **Fred Bould**, Menlo Park, CA (US); **Kwan Hon Anson Cheung**, San Francisco, CA (US); **Byron Lee**, San Mateo, CA (US)

(73) Assignee: **RYLO, INC.**, San Francisco, CA (US)

(\*\*) Term: **15 Years**

(21) Appl. No.: **29/624,094**

(22) Filed: **Oct. 30, 2017**

(51) **LOC (12) Cl.** ..... **16-01**

(52) **U.S. Cl.**

USPC ..... **D16/218**

(58) **Field of Classification Search**

USPC ..... D16/200–204, 208, 218, 219; 348/143, 348/148, 151, 360, 373–376; 396/419, 396/427–429, 433, 529, 535, 537–541  
CPC ..... G03B 15/03; G03B 17/02; G03B 17/04; G03B 17/48; G03B 17/56; G03B 19/04; G08G 1/0175; H04N 5/2251; H04N 5/2252; H04N 5/2253; H04N 5/2254

See application file for complete search history.

(56) **References Cited**

**U.S. PATENT DOCUMENTS**

D475,381 S \* 6/2003 Komatsu ..... D16/202  
D590,863 S \* 4/2009 Ke ..... D16/202

D610,185 S \* 2/2010 Chou ..... D16/207  
D794,695 S \* 8/2017 Zhang ..... D16/218  
D805,570 S \* 12/2017 Shi ..... D16/202  
D816,752 S \* 5/2018 Kim ..... D16/202  
D818,029 S \* 5/2018 Fujita ..... D16/218  
D819,112 S \* 5/2018 Kim ..... D16/218  
D820,898 S \* 6/2018 Fujita ..... D16/218  
D829,260 S \* 9/2018 Fujita ..... D16/218  
D830,446 S \* 10/2018 Muhlenkamp, IV ..... D16/218  
D836,147 S \* 12/2018 Rao ..... D16/203  
D839,945 S \* 2/2019 Lenz ..... D16/218

\* cited by examiner

*Primary Examiner* — Ramzi S Almatrahi

(74) *Attorney, Agent, or Firm* — Schwegman Lundberg & Woessner, P.A.

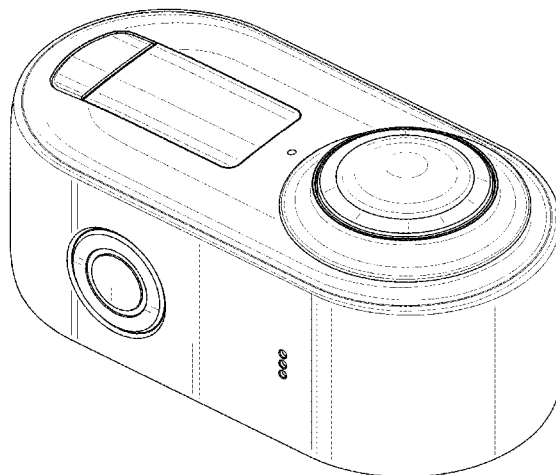
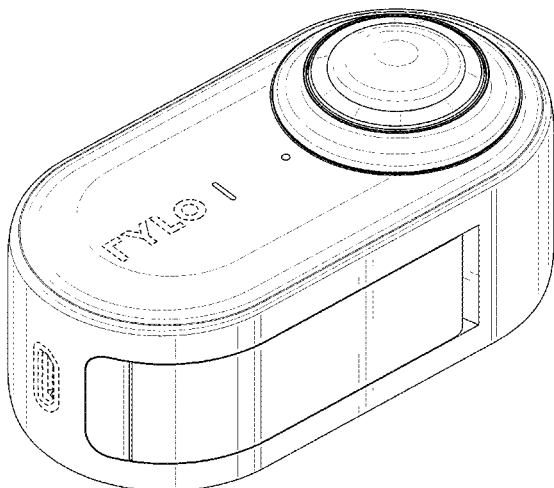
(57) **CLAIM**

The ornamental design for a camera, as shown and described.

**DESCRIPTION**

FIG. 1 is a front view of a camera, showing our new design. FIG. 2 is a rear view thereof. FIG. 3 is a top view thereof. FIG. 4 is a bottom view thereof. FIG. 5 is a right side view thereof. FIG. 6 is a left side view thereof. FIG. 7 is a bottom-right-front perspective view thereof. FIG. 8 is a bottom-right-rear perspective view thereof. FIG. 9 is a top-left-front perspective view thereof; and, FIG. 10 is a top-left-rear perspective view thereof. The broken lines depict portions of the camera in which the design is embodied that form no part of the claimed design.

**1 Claim, 10 Drawing Sheets**



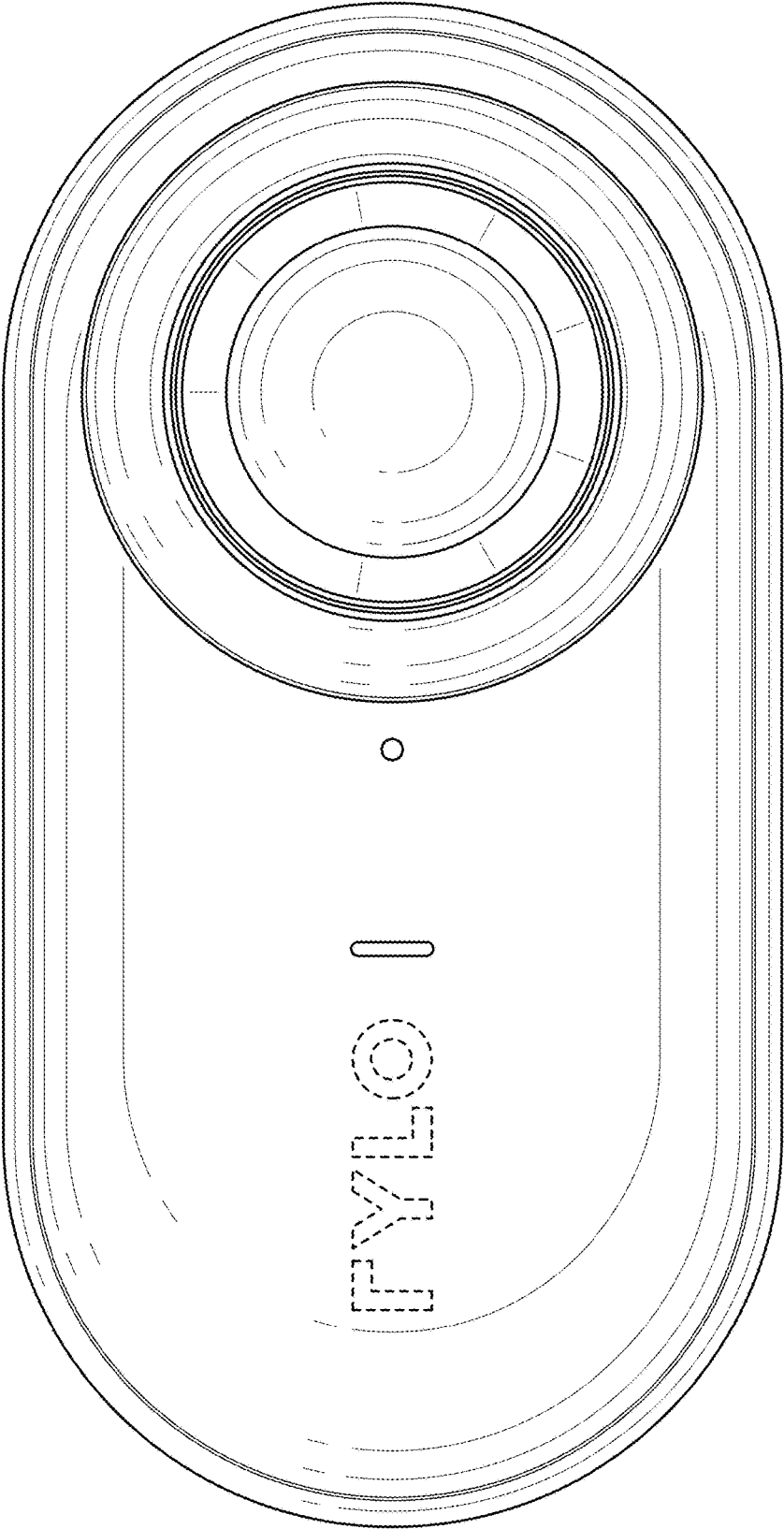


FIG. 1

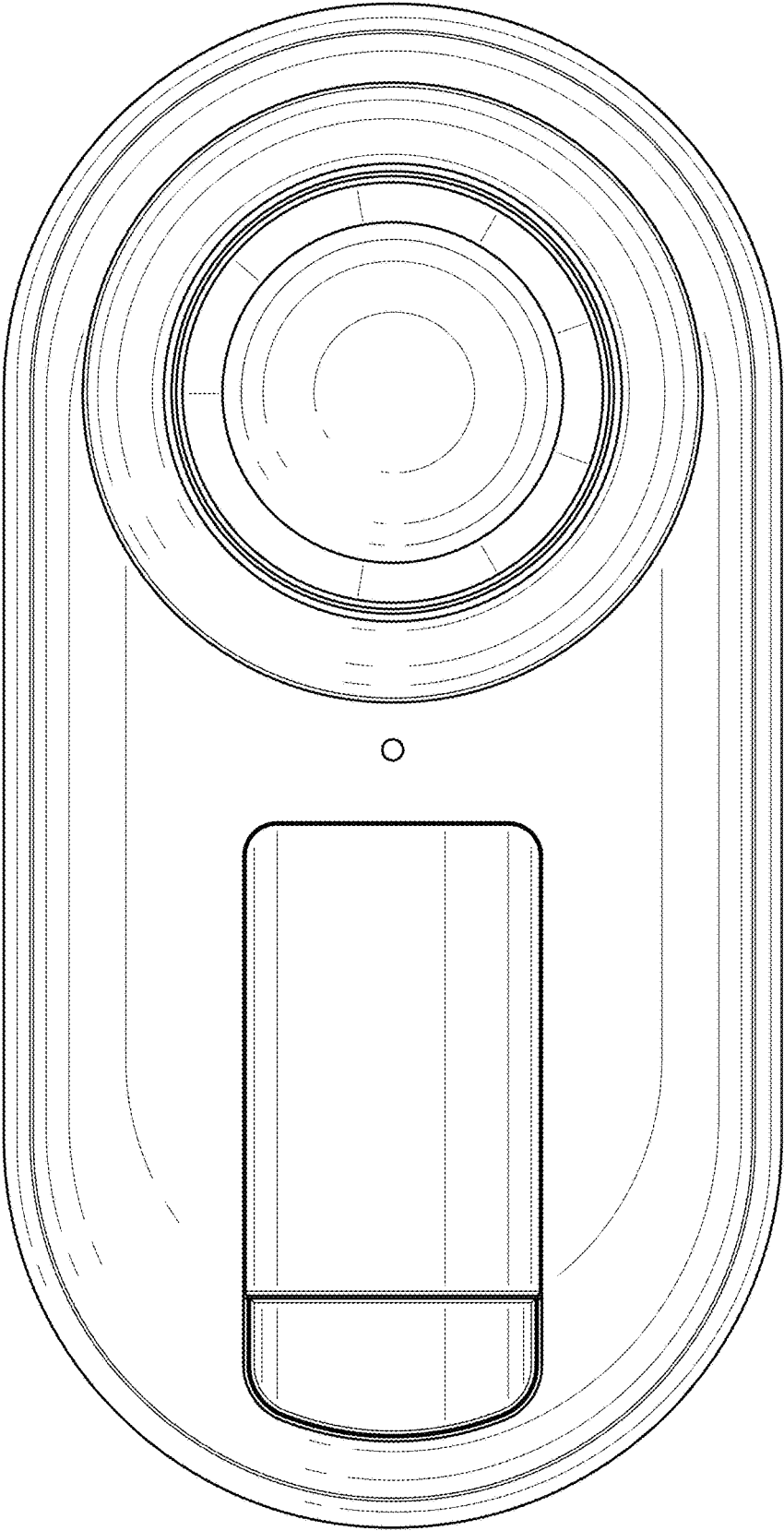


FIG. 2

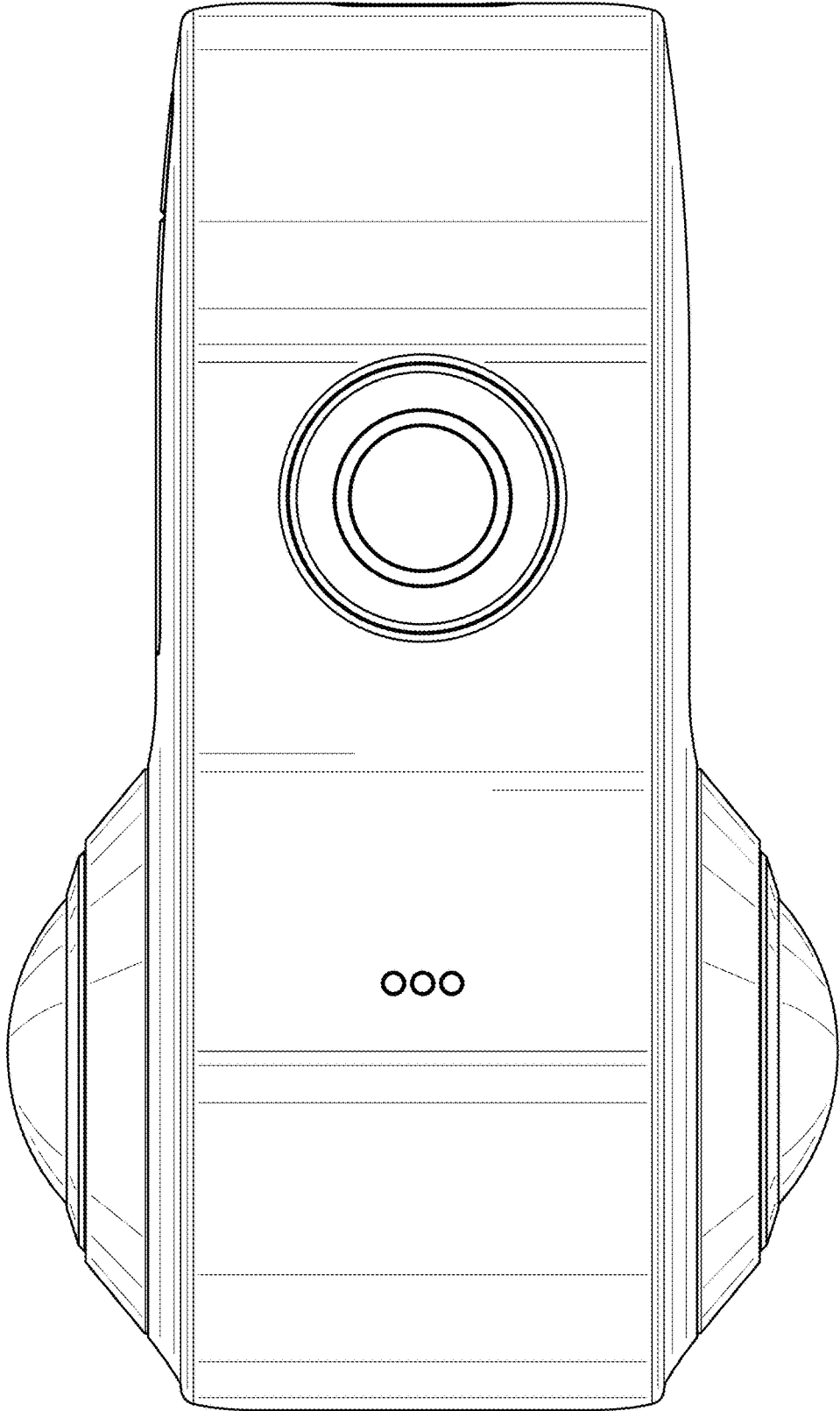


FIG. 3

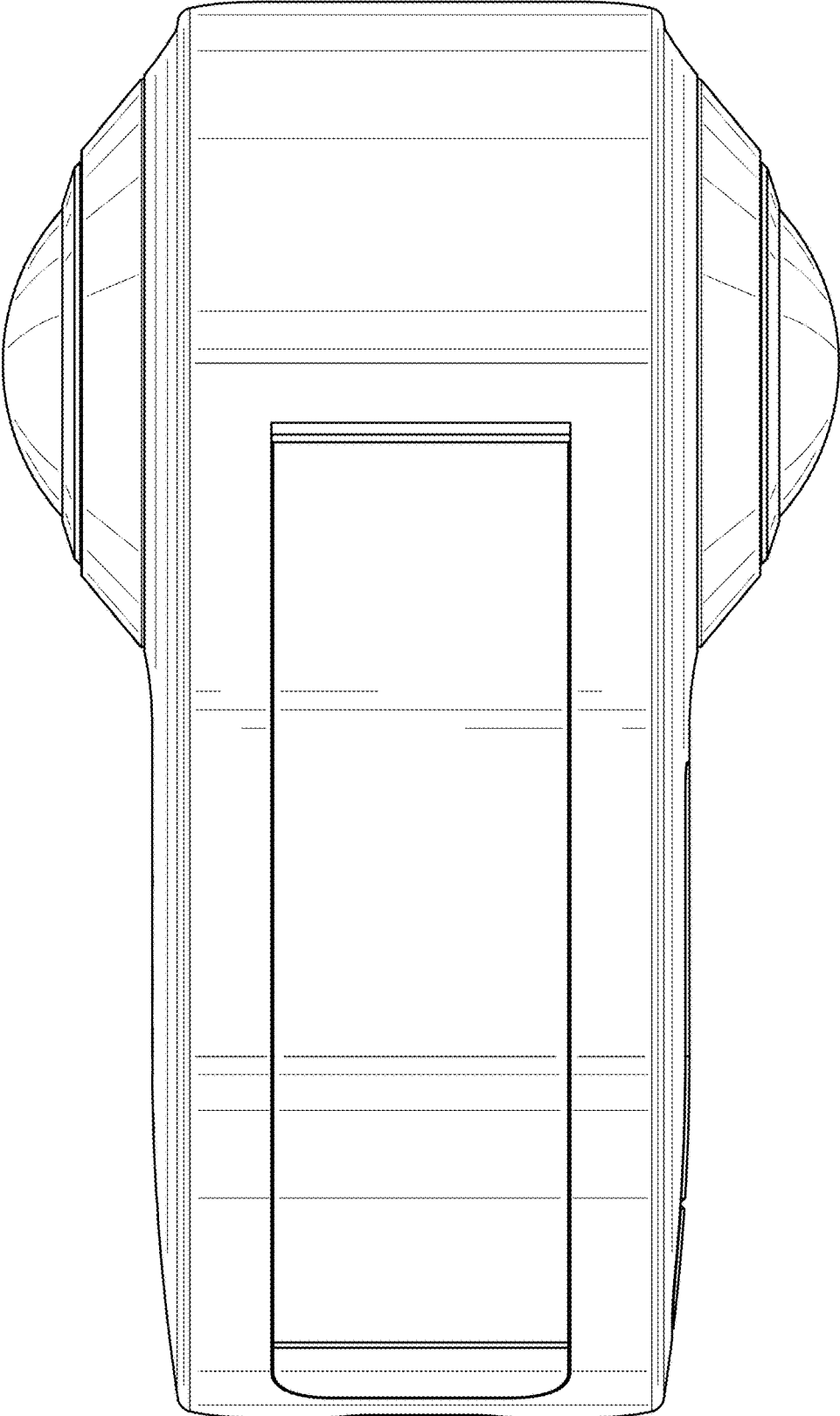


FIG. 4

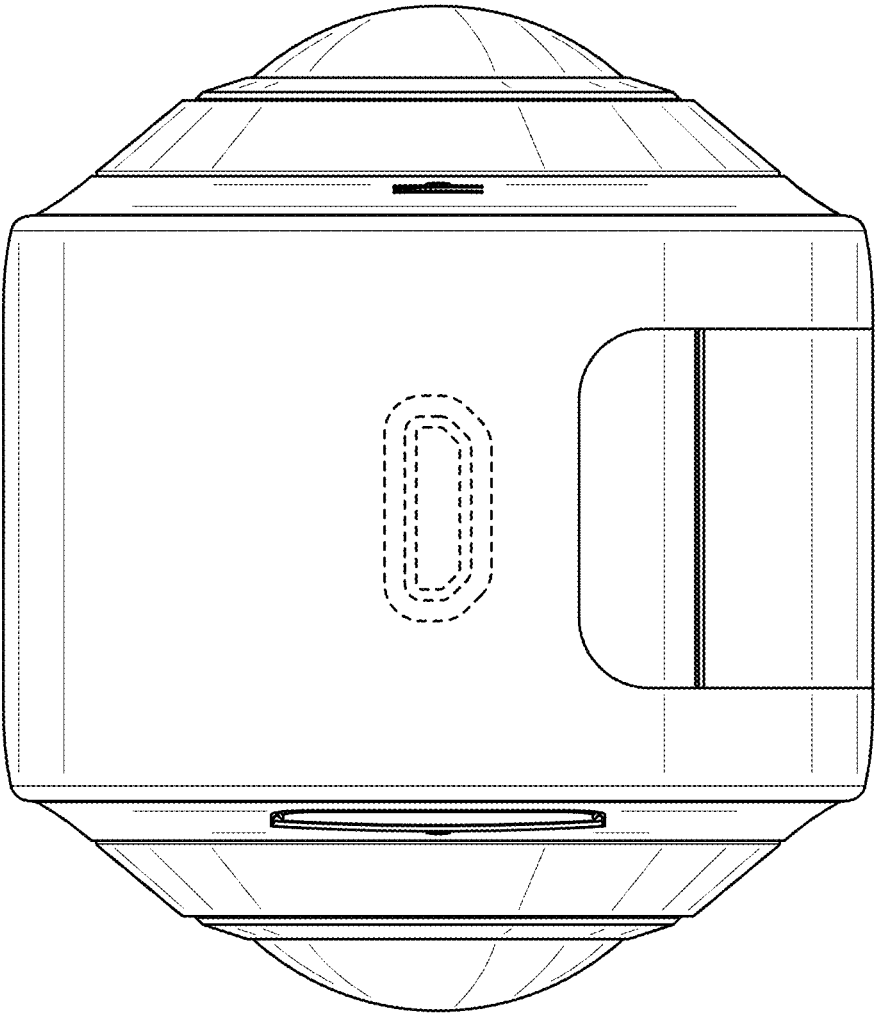


FIG. 5

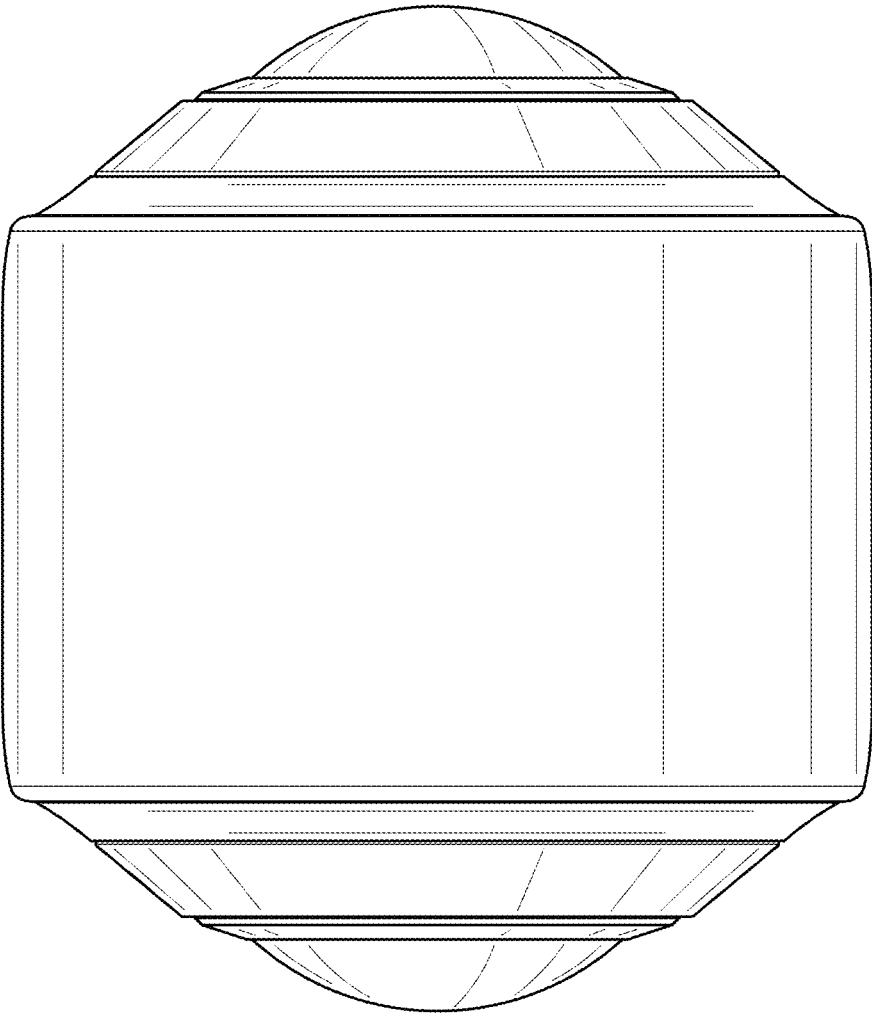


FIG. 6

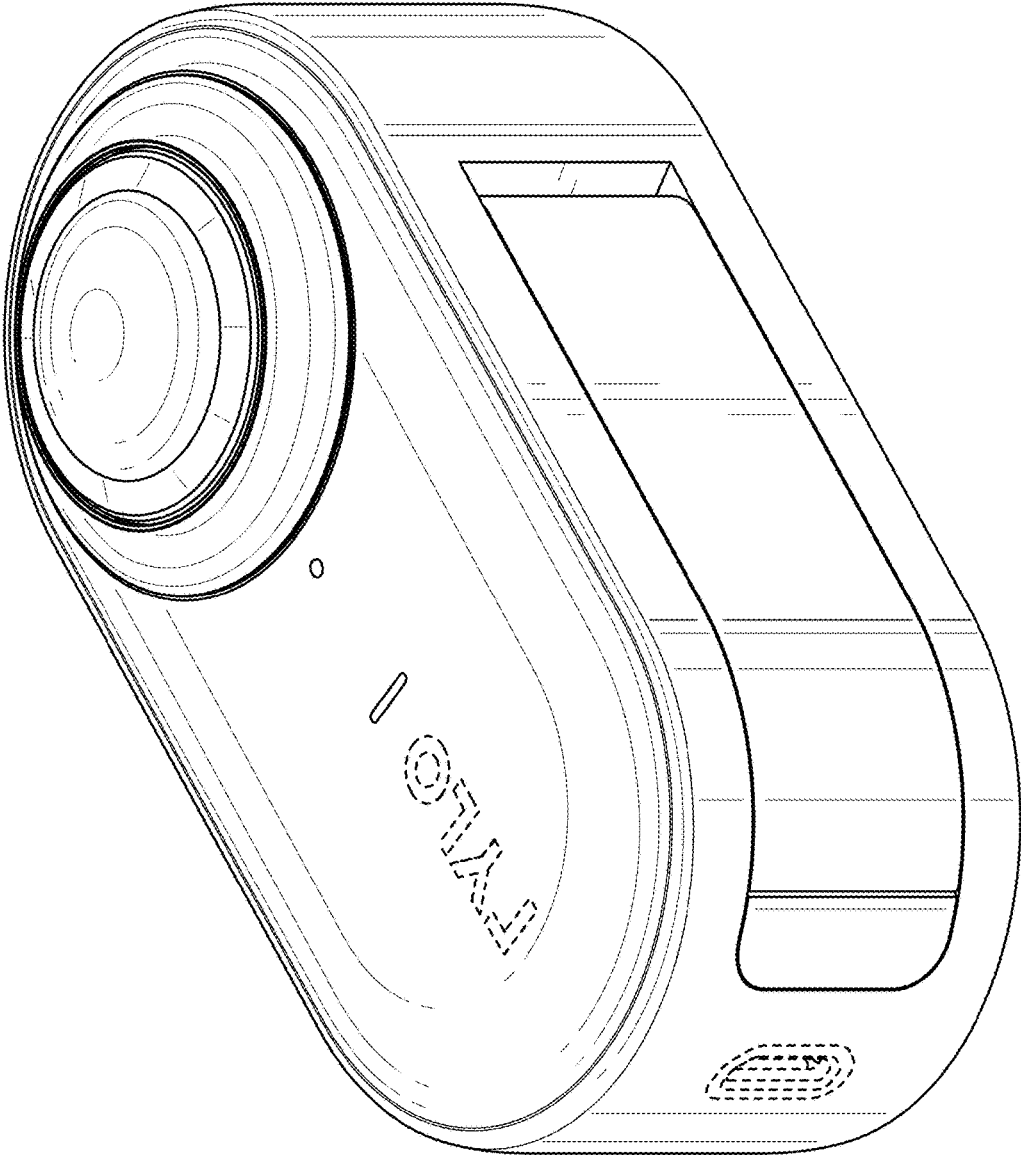


FIG. 7



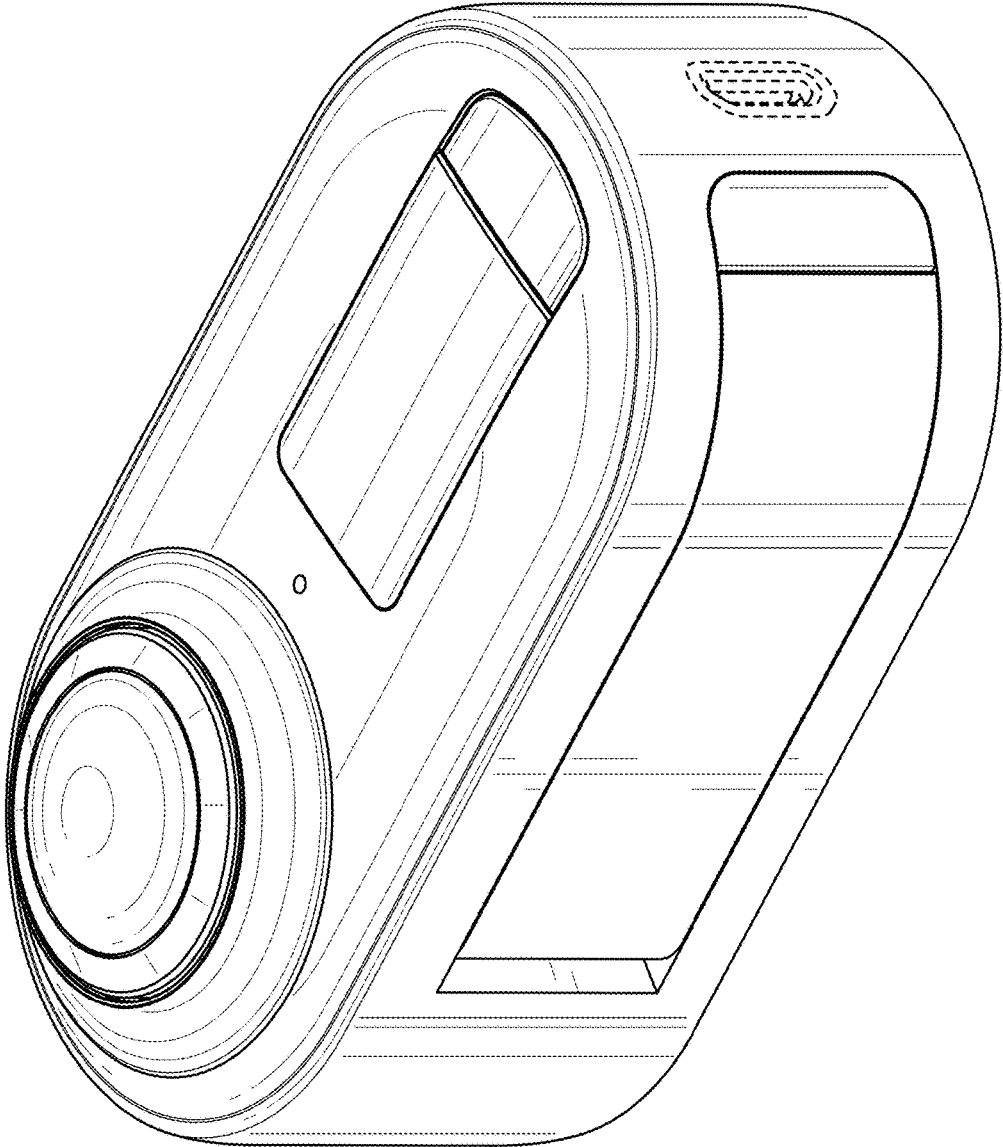


FIG. 8

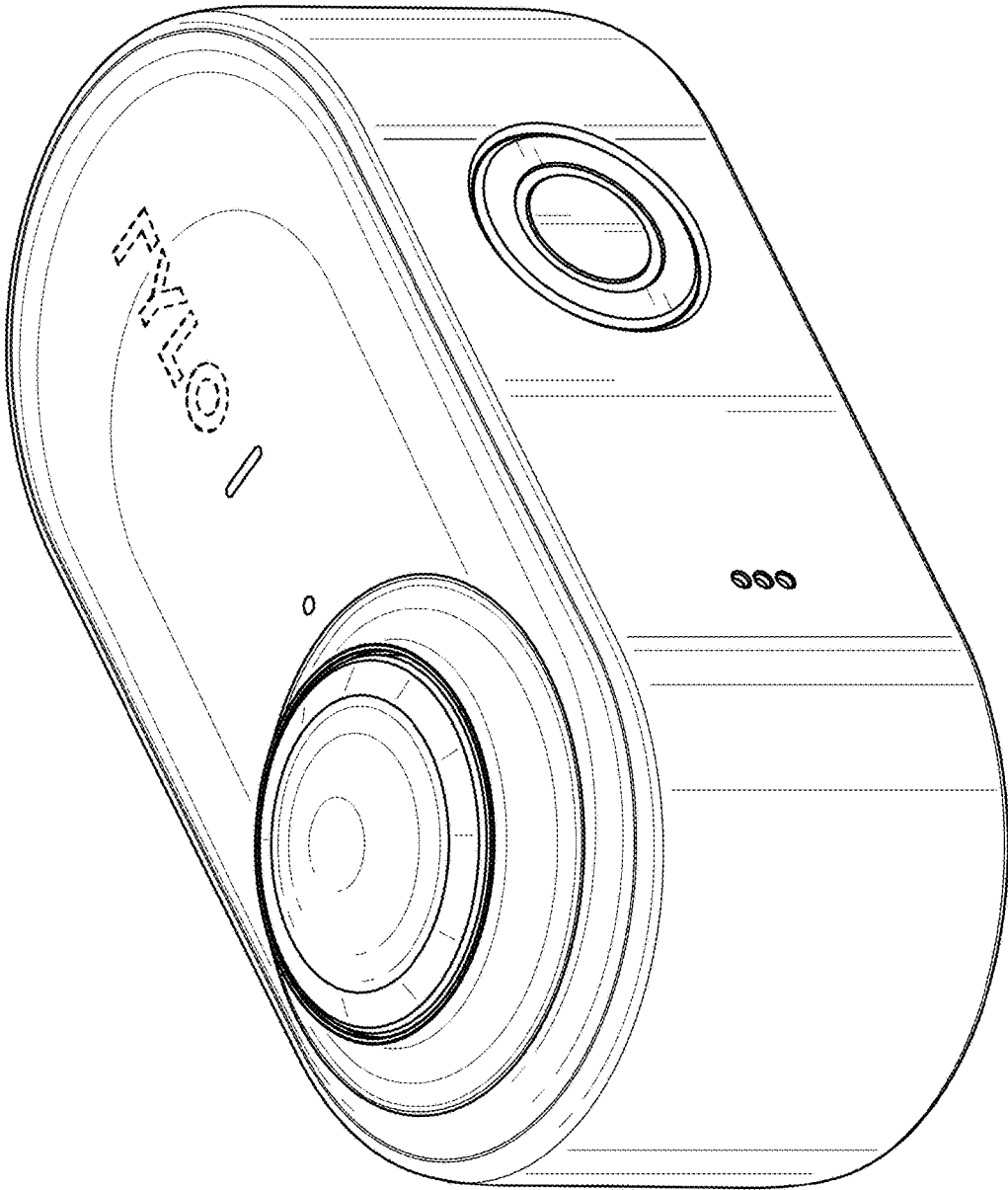


FIG. 9

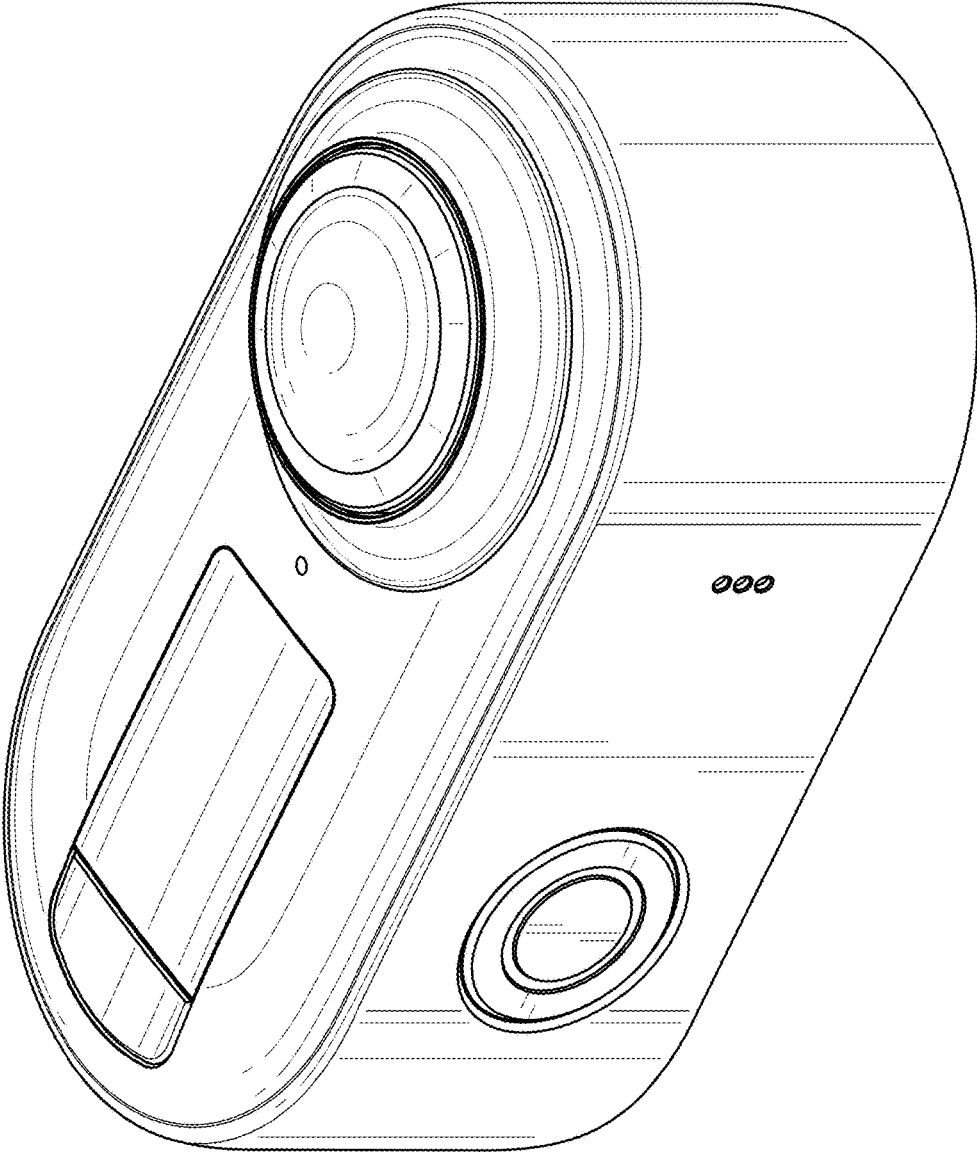


FIG. 10