



(12) **United States Design Patent**
Deng et al.

(10) **Patent No.:** **US D1,019,255 S**
(45) **Date of Patent:** **** Mar. 26, 2024**

(54) **HOUSING OF A MICRO PUREE MACHINE**

(56) **References Cited**

(71) Applicant: **SharkNinja Operating LLC**,
Needham, MA (US)

U.S. PATENT DOCUMENTS

2,815,194 A 12/1957 Seyfried
2,829,872 A 4/1958 MacDougall
(Continued)

(72) Inventors: **Da Deng**, Newton, MA (US); **Diego Jasso**, New Hope, MN (US); **Nathan Lyell**, Surrey (GB)

FOREIGN PATENT DOCUMENTS

(73) Assignee: **SHARKNINJA OPERATING LLC**,
Needham, MA (US)

CN 201345883 11/2009
CN 102805194 2/2012
(Continued)

(**) Term: **15 Years**

OTHER PUBLICATIONS

(21) Appl. No.: **29/873,957**

Kidisle 3 in 1 Single Serve Coffee Maker. Date earliest reviewed on Amazon.com Apr. 19, 2023. <https://www.amazon.com/KIDISLE-Removable-Reservoir-Self-cleaning-Function/dp/B0CB5PMPQX/> ref (Year: 2023).*

(22) Filed: **Apr. 12, 2023**

(Continued)

Related U.S. Application Data

(63) Continuation-in-part of application No. 18/089,689, filed on Dec. 28, 2022, and a continuation-in-part of (Continued)

Primary Examiner — Ricky Pham

(74) *Attorney, Agent, or Firm* — Burns & Levinson, LLP; Joseph M. Maraia; Marlo Schepper Grolnic

(51) **LOC (14) Cl.** **31-00**

(57) **CLAIM**

(52) **U.S. Cl.**

The ornamental design for a housing of a micro puree machine, as shown and described.

USPC **D7/384**; D7/376; D7/378

DESCRIPTION

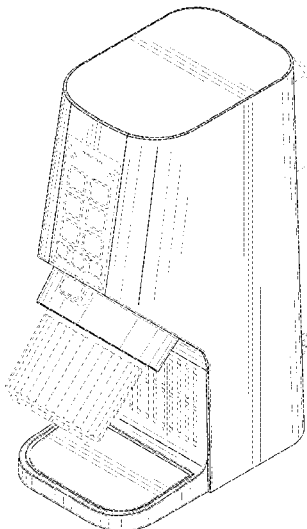
(58) **Field of Classification Search**

USPC D7/306, 307, 309, 311, 372, 376–386, D7/393, 412–413, 586, 602, 629, D7/665–666, 669, 679, 693–694
CPC A21C 1/02; A21C 1/04; A23N 1/00; A23N 1/02; A47J 43/04; A47J 43/07; A47J 43/25; A47J 43/27; A47J 43/042; A47J 43/044; A47J 43/046; A47J 43/075; A47J 43/0722; A47J 43/0727; B01F 3/00; B01F 3/0807; B01F 3/0853; B01F 13/0059; B01F 13/0064; B01F 27/1152; B01F 31/40; B02C 1/08; B02C 2/04; B02C 4/42; B02C 4/142; B02C 4/143; B02C 4/423; B02C 13/1835;

FIG. 1 is a top, front and right side perspective view of the housing of a micro puree machine of our new design; FIG. 2 is a left side elevation view thereof; FIG. 3 is a right side elevation view thereof; FIG. 4 is a front elevation view thereof; FIG. 5 is a rear elevation view thereof; FIG. 6 is a top plan view thereof; and, FIG. 7 is a bottom plan view thereof. In the drawings, the broken lines depict portions of the housing of the micro puree machine and form no part of the claimed design.

(Continued)

1 Claim, 5 Drawing Sheets



Related U.S. Application Data

application No. 17/992,263, filed on Nov. 22, 2022, now Pat. No. 11,759,057, which is a continuation of application No. PCT/CN2022/123016, filed on Sep. 30, 2022.

(58) **Field of Classification Search**

CPC ... B28C 5/10; B28C 5/12; B28C 5/14; B28C 5/16; B65D 25/24; A23G 9/28

See application file for complete search history.

(56)

References Cited

U.S. PATENT DOCUMENTS

D183,532	S	*	9/1958	McCauley	D7/311
3,630,493	A		12/1971	Carpigiani		
D258,340	S		2/1981	Fuchs		
4,693,611	A		9/1987	Verkler		
4,705,055	A		11/1987	Rohm et al.		
4,828,398	A		5/1989	Verkler		
5,215,222	A		6/1993	McGill		
5,415,534	A		5/1995	Bertrand et al.		
5,803,377	A		9/1998	Farrell		
6,041,961	A		3/2000	Farrell		
6,250,794	B1		6/2001	Huang		
6,824,303	B2		11/2004	Huang		
7,028,607	B2		4/2006	Zweben		
7,264,160	B2		9/2007	Polarine et al.		
7,451,613	B2		11/2008	Barraclough et al.		
7,993,053	B2		8/2011	McGill		
8,109,714	B2		2/2012	Keener		
D655,133	S		3/2012	Brinckerhoff et al.		
D681,385	S	*	5/2013	Ring	D7/311
D704,492	S	*	5/2014	Broen	D7/306
D732,330	S	*	6/2015	Cha	D7/311
D751,344	S		3/2016	Charlton		
D751,849	S	*	3/2016	Dunham	D7/307
9,351,504	B2		5/2016	Ricco et al.		
9,565,868	B2		2/2017	D'Agostino		
D807,691	S	*	1/2018	Connell	D7/378
9,968,222	B2		5/2018	Audette		
9,993,015	B2		6/2018	Geng et al.		
10,159,262	B2		12/2018	Dong et al.		
10,299,628	B2	*	5/2019	Gardner	A47J 43/044
10,595,544	B2		3/2020	Beth Halachmi		
10,660,348	B2		5/2020	Cheung		
10,786,119	B2		9/2020	Cheung et al.		
10,794,624	B2		10/2020	Rupp		
10,801,769	B2		10/2020	Rupp		
D914,453	S		3/2021	Kettavong et al.		
10,995,976	B2		5/2021	Rupp		
11,002,473	B2		5/2021	Rupp		
11,083,320	B2		8/2021	Zhao et al.		
11,154,075	B2		10/2021	Ricco et al.		
11,154,163	B1		10/2021	He et al.		
11,279,609	B2		3/2022	Fonte et al.		
11,291,335	B2		4/2022	Liu et al.		
11,324,358	B1		5/2022	O'Loughlin et al.		
11,337,439	B2		5/2022	Fonte et al.		
11,439,158	B2		9/2022	Farina		
11,470,855	B2		10/2022	Fonte et al.		
11,583,144	B1		2/2023	Williams et al.		
D985,331	S	*	5/2023	He	D7/378
11,759,057	B1	*	9/2023	Chu	B01F 31/40 366/197
2003/0000240	A1		1/2003	Pahl		
2003/0066916	A1		4/2003	Pavlovic et al.		
2004/0081733	A1		4/2004	Buter et al.		
2004/0161503	A1		8/2004	Malone et al.		
2005/0047272	A1		3/2005	Sands		
2005/0170054	A1		8/2005	Czark et al.		
2005/0172826	A1		8/2005	Kim		
2005/0173462	A1		8/2005	Stumler et al.		
2006/0255066	A1		11/2006	Kannar et al.		
2007/0056447	A1		3/2007	Swartz et al.		
2007/0241140	A1		10/2007	Cocchi		

2008/0117714	A1		5/2008	Pavlovic et al.		
2011/0090756	A1*		4/2011	Farrell	A23G 9/28 366/138
2011/0242931	A1		10/2011	Farrell		
2012/0027902	A1		2/2012	Audette et al.		
2012/0048977	A1		3/2012	Machovina et al.		
2012/0096876	A1		4/2012	Ravji et al.		
2013/0344220	A1		12/2013	Farrell et al.		
2014/0130538	A1		5/2014	Bond et al.		
2014/0203127	A1		7/2014	Merl		
2014/0312152	A1		10/2014	Pai		
2015/0201808	A1		7/2015	Katsuki et al.		
2015/0216360	A1		8/2015	Hosner		
2015/0265102	A1		9/2015	Kidd		
2015/0272394	A1		10/2015	Lin et al.		
2017/0112326	A1*		4/2017	Ochoa	B01F 27/1152
2020/0245639	A1		8/2020	Crema et al.		
2020/0260755	A1		8/2020	Harrison et al.		
2021/0055027	A1		2/2021	Rupp		
2021/0068419	A1		3/2021	Spirk et al.		
2021/0106508	A1		4/2021	Akridge et al.		
2021/0120841	A1		4/2021	Kiser et al.		
2021/0204564	A1		7/2021	Bellomare et al.		
2021/0227848	A1		7/2021	Yang et al.		
2021/0274974	A1*		9/2021	Abraham	A47J 43/044
2021/0371265	A1		12/2021	Fonte et al.		
2022/0202247	A1		6/2022	He et al.		
2022/0202248	A1		6/2022	O'Loughlin et al.		
2022/0202249	A1		6/2022	He et al.		
2022/0202254	A1		6/2022	O'Loughlin		
2022/0225636	A1		7/2022	Minard et al.		
2022/0225831	A1		7/2022	He et al.		
2023/0010316	A1		1/2023	White et al.		
2023/0301467	A1*		9/2023	Proulx	A47J 43/0727 220/288

FOREIGN PATENT DOCUMENTS

CN	103168908	6/2013
CN	103181715	7/2013
CN	203088680	7/2013
CN	203152409	8/2013
CN	203233980	10/2013
CN	204362865	6/2015
CN	110168296	8/2019
CN	210642278	6/2020
CN	112042801	12/2020
CN	112469283	3/2021
CN	112512393	3/2021
CN	105828630	5/2021
CN	216282190	4/2022
EP	0314209	5/1989
EP	0891139	1/1999
EP	0995685	4/2000
EP	0891139	5/2002
EP	1495682	1/2005
EP	1586259	A1 10/2005
EP	1689250	8/2006
EP	2380474	A2 10/2011
EP	3060069	8/2016
EP	3535532	9/2019
EP	3616528	3/2020
EP	3692873	A1 8/2020
EP	3755160	12/2020
EP	3801042	4/2021
EP	3944796	A1 2/2022
ES	1071424	2/2010
FR	2585588	A1 2/1987
IT	202000005641	A2 9/2021
JP	H01-11029	3/1989
WO	2005048745	6/2005
WO	2005070271	8/2005
WO	2015061364	4/2015
WO	2018085442	5/2018
WO	2018085443	A1 5/2018
WO	2019117804	6/2019
WO	2019146834	8/2019
WO	2019200491	10/2019
WO	2019224859	11/2019

(56)

References Cited

FOREIGN PATENT DOCUMENTS

WO	2020227235	A1	11/2020
WO	2021186353	A1	9/2021
WO	2022020653		1/2022

OTHER PUBLICATIONS

International Search Report and Written Opinion in Application No. PCT/CN2022/123017 dated Mar. 23, 2023, 12 pages.

International Search Report and Written Opinion in Application No. PCT/US2022/053650 dated Jul. 3, 2023, 13 pages.

International Search Report and Written Opinion in Application No. PCT/CN2022/123016 dated Mar. 31, 2023, 11 pages.

International Search Report and Written Opinion in Application No. PCT/US2022/054361 dated Aug. 9, 2023, 14 pages.

International Search Report and Written Opinion in Application No. PCT/US2022/054363 dated Aug. 9, 2023, 15 pages.

* cited by examiner

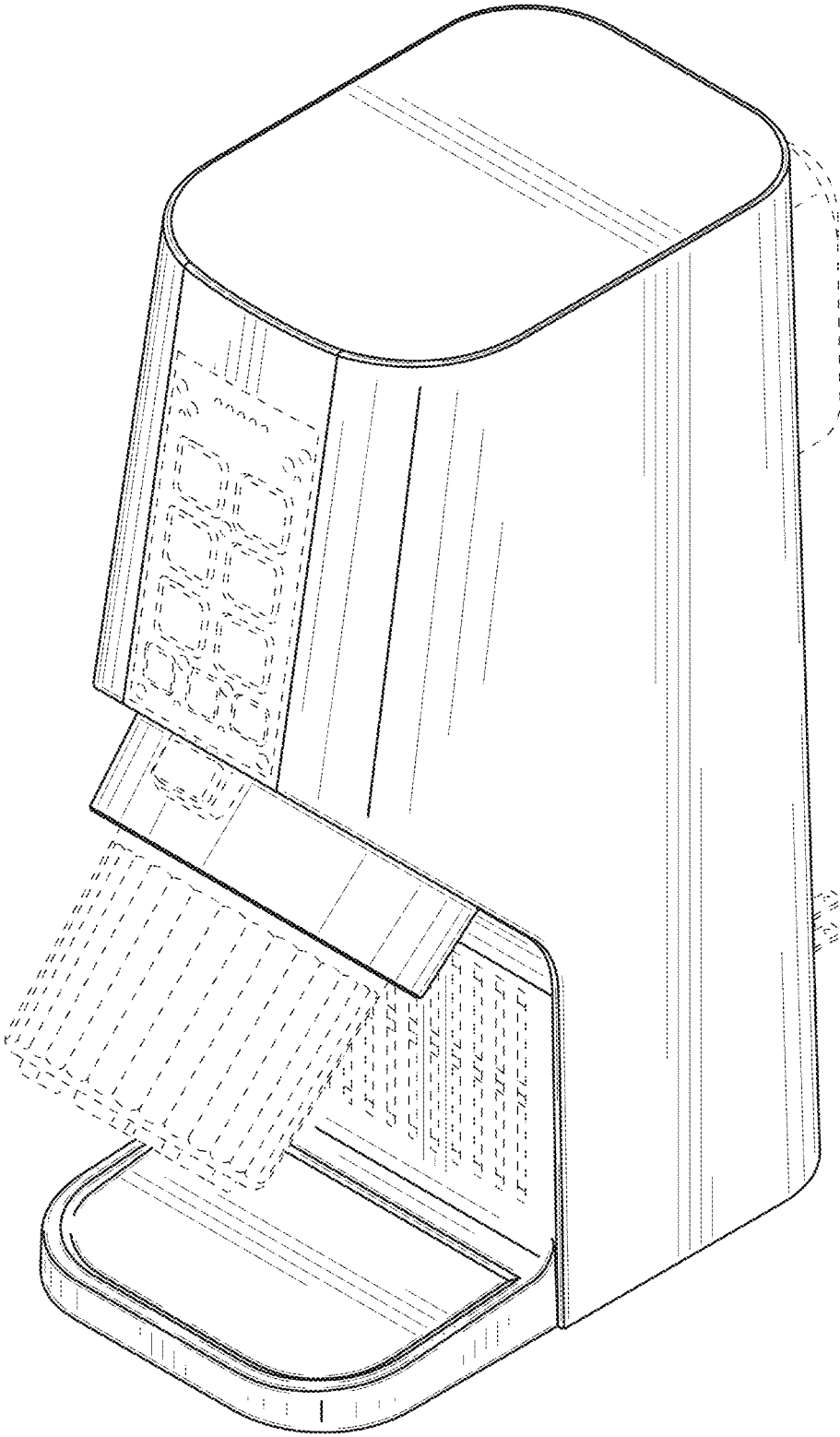


FIG. 1

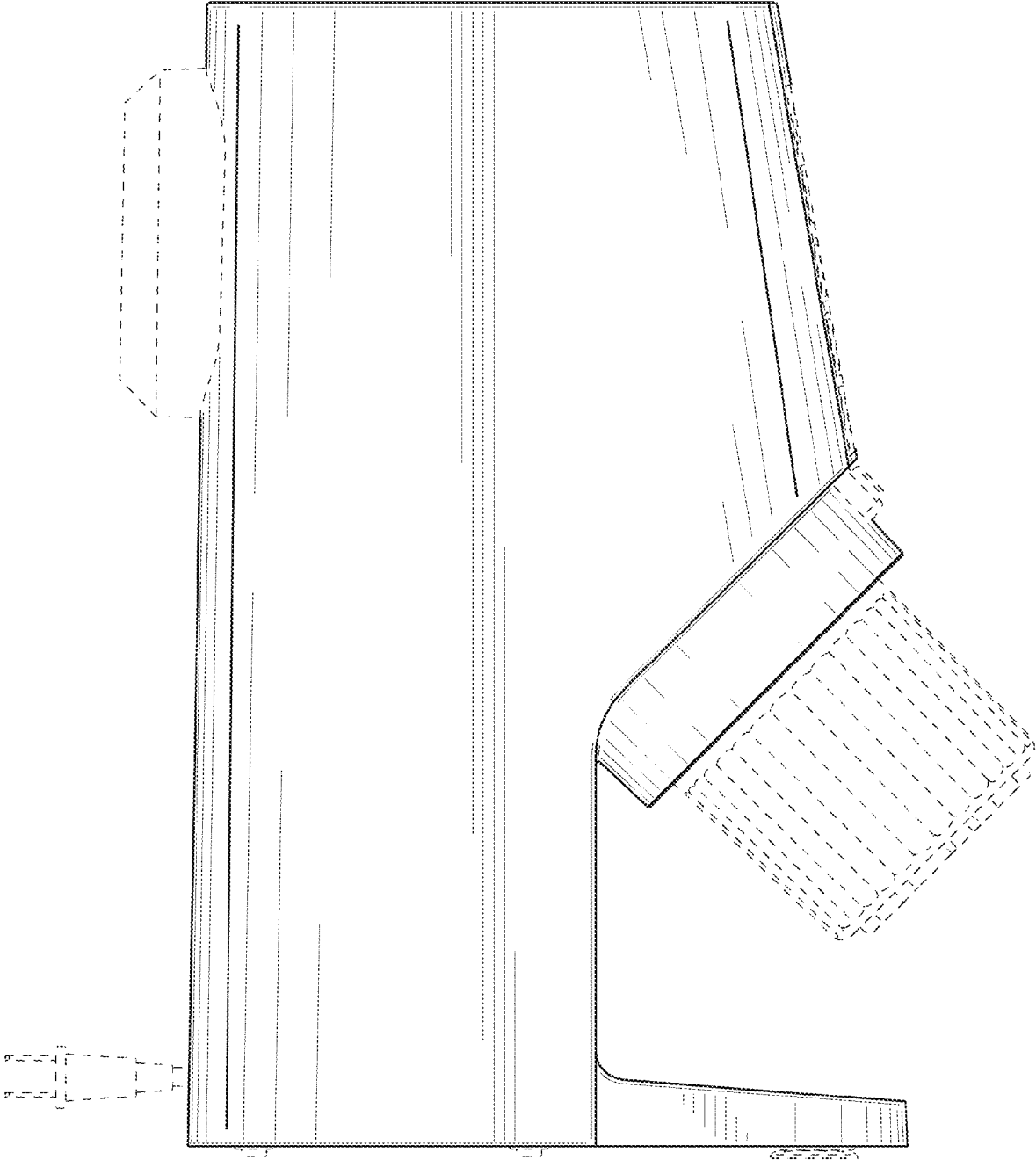


FIG. 2

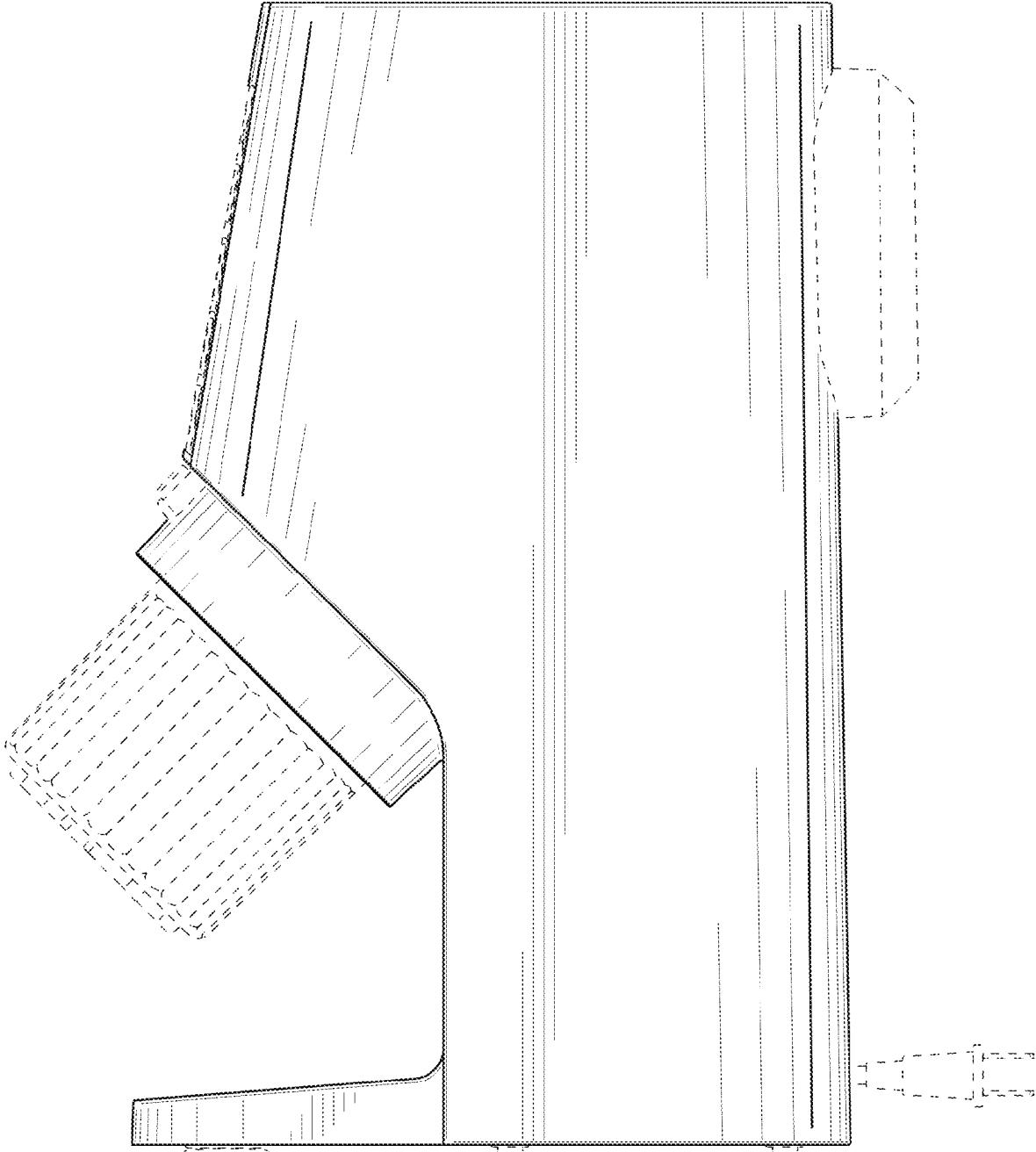


FIG. 3

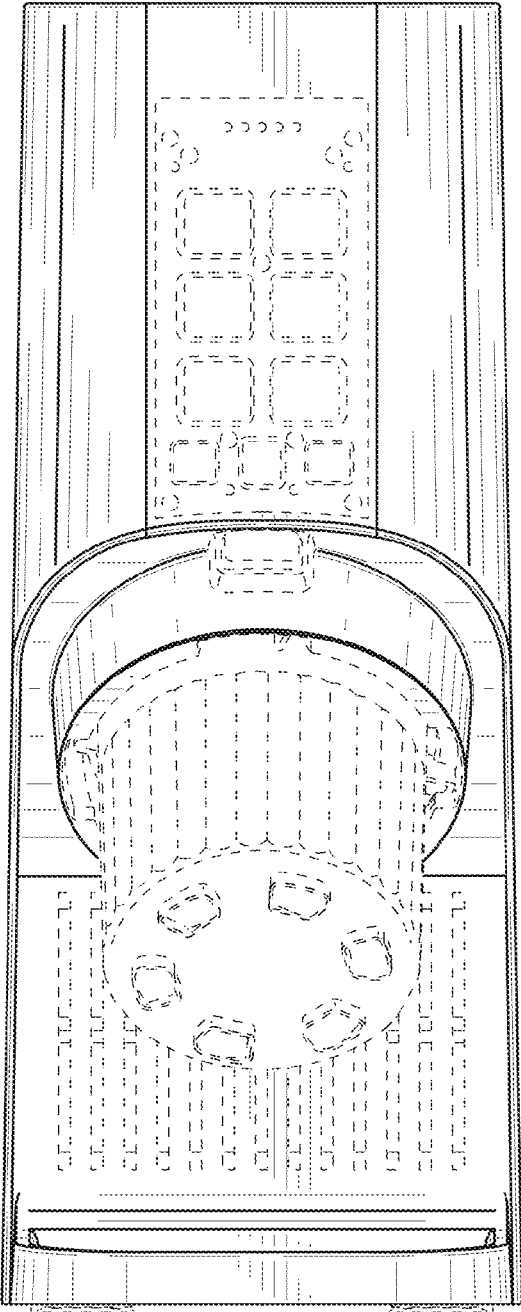


FIG. 4

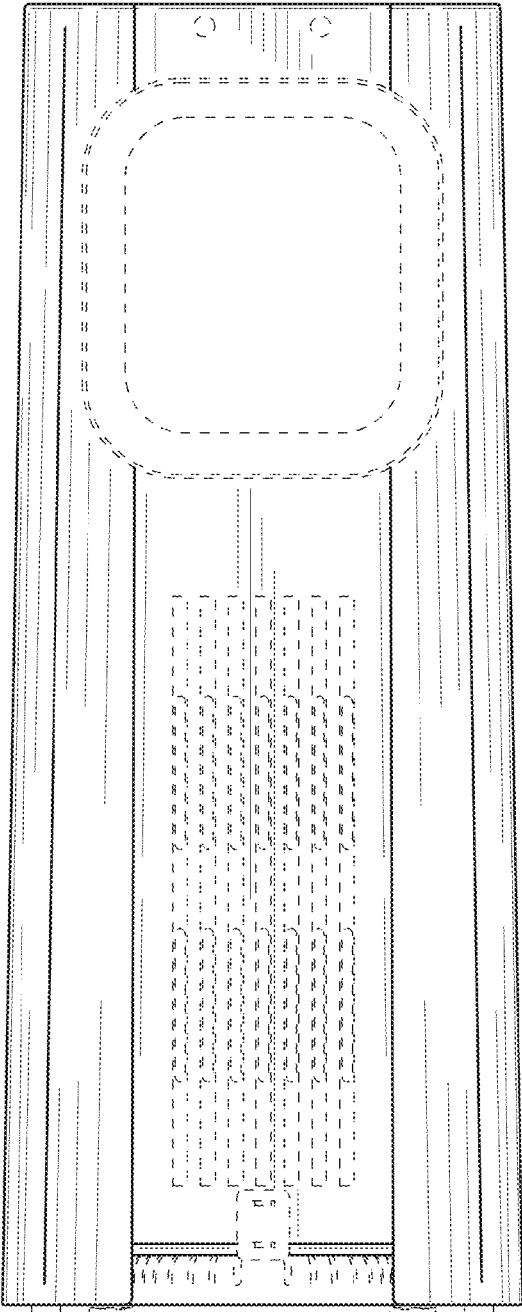


FIG. 5

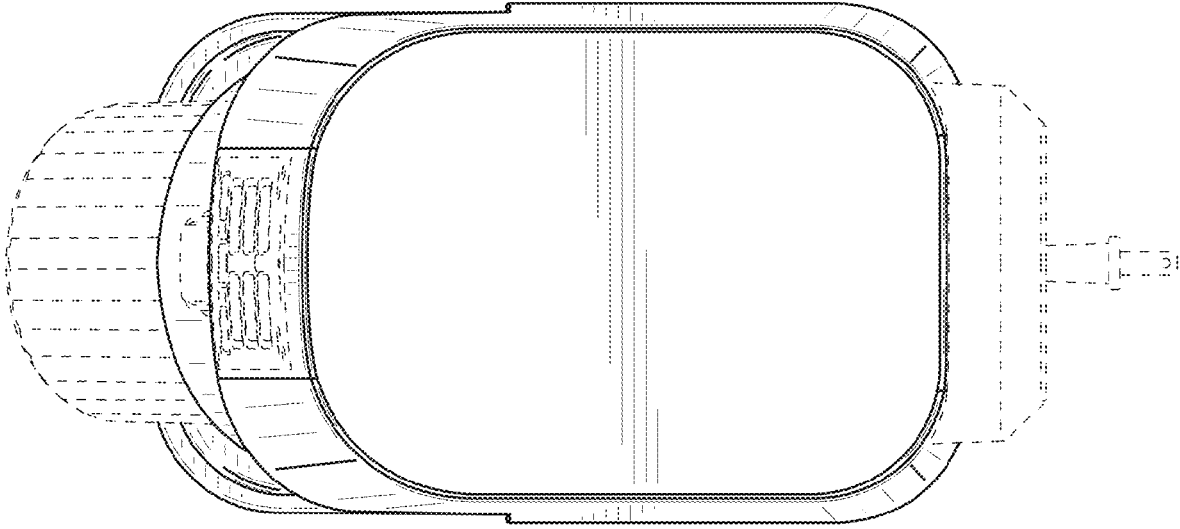


FIG. 6

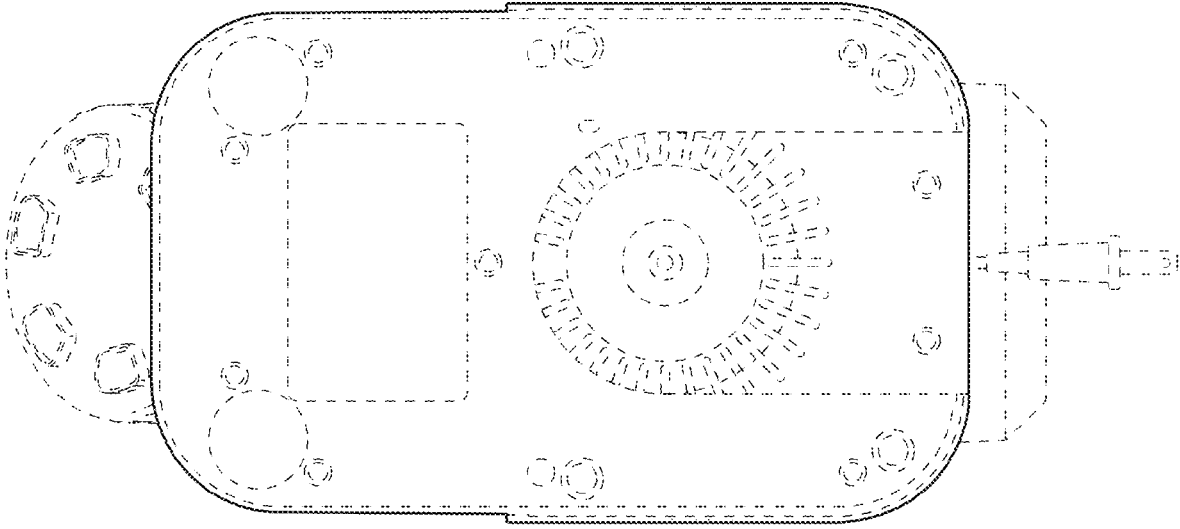


FIG. 7