



US00D554465S

(12) **United States Design Patent**
Laurienzo et al.

(10) **Patent No.:** **US D554,465 S**

(45) **Date of Patent:** **** Nov. 6, 2007**

(54) **MOTOCROSS HANDLE**

(75) Inventors: **Dominic Laurienzo**, Los Angeles, CA (US); **Brendon Vetuskey**, Van Nuys, CA (US); **Terence Higuchi**, Redondo Beach, CA (US)

(73) Assignee: **Jakks Pacific, Inc.**, Malibu, CA (US)

(**) Term: **14 Years**

(21) Appl. No.: **29/234,270**

(22) Filed: **Jul. 14, 2005**

(51) **LOC (8) Cl.** **12-11**

(52) **U.S. Cl.** **D8/303; D12/179**

(58) **Field of Classification Search** D12/110, D12/178-180; 74/486-489, 475, 491, 502.2, 74/558, 551.8, 551.9, 473.12, 473.13, 473.14, 74/473.15; 188/24, 24.11, 24.21, 24.22, 188/24.14, 24.15, 344, 359; 16/110.1, 421, 16/430, DIG. 12; D8/303

See application file for complete search history.

(56) **References Cited**

U.S. PATENT DOCUMENTS

3,016,763	A *	1/1962	Albert	74/551.9
D246,758	S	12/1977	Ukai		
D269,850	S	7/1983	Preisler et al.		
D270,345	S	8/1983	Scherer		
D274,122	S	6/1984	Stahel et al.		
D278,879	S	5/1985	Hwung		
D284,259	S	6/1986	Oury		
D286,034	S *	10/1986	Giorgetti	D12/179
D287,568	S	1/1987	Hernqvist		
D298,309	S *	11/1988	Coue	D12/179
D298,319	S	11/1988	Coue		
4,895,044	A *	1/1990	Ekins	74/551.9
D311,676	S	10/1990	Neal		
D320,125	S	9/1991	Hacker		

D320,922	S	10/1991	Lurkis
D324,478	S	3/1992	Baer
D324,634	S	3/1992	Chen
D352,442	S	11/1994	Lee-Chang
D372,656	S	8/1996	Nagano
D404,282	S	1/1999	Hsu
D405,342	S	2/1999	Thompson
D407,048	S	3/1999	Benktzon et al.
D409,182	S	5/1999	Tyler
D411,432	S	6/1999	Stahel
D413,880	S	9/1999	Barnes et al.
D422,194	S	4/2000	Knodt et al.
D428,012	S	7/2000	Cavacuiti et al.
D429,990	S	8/2000	Kunkler
D461,390	S	8/2002	Livingston
D463,501	S	9/2002	Isetani et al.
D479,239	S	9/2003	Faust et al.
6,681,653	B2	1/2004	Yu

* cited by examiner

Primary Examiner—Cathron C. Brooks

Assistant Examiner—Linda Brooks

(74) *Attorney, Agent, or Firm*—Tope-McKay & Associates

(57) **CLAIM**

The ornamental design for a motocross handle, as shown.

DESCRIPTION

FIG. 1 is a front perspective view of a motocross handle incorporating our new design;

FIG. 2 is a front orthogonal view thereof;

FIG. 3 is a back orthogonal view thereof;

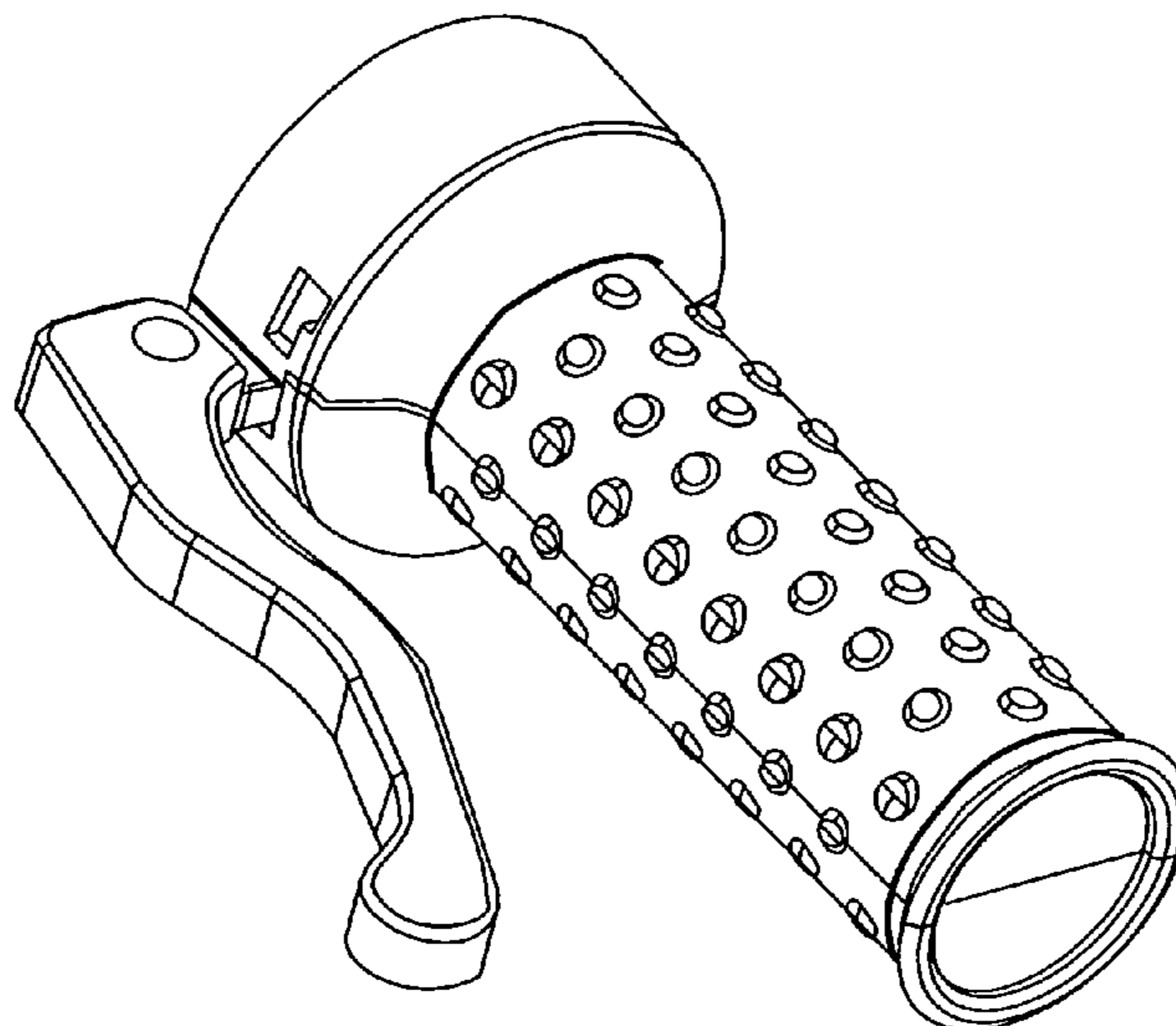
FIG. 4 is a right orthogonal view thereof;

FIG. 5 is a left orthogonal view thereof;

FIG. 6 is a top orthogonal view thereof; and,

FIG. 7 is a bottom orthogonal view thereof.

1 Claim, 7 Drawing Sheets



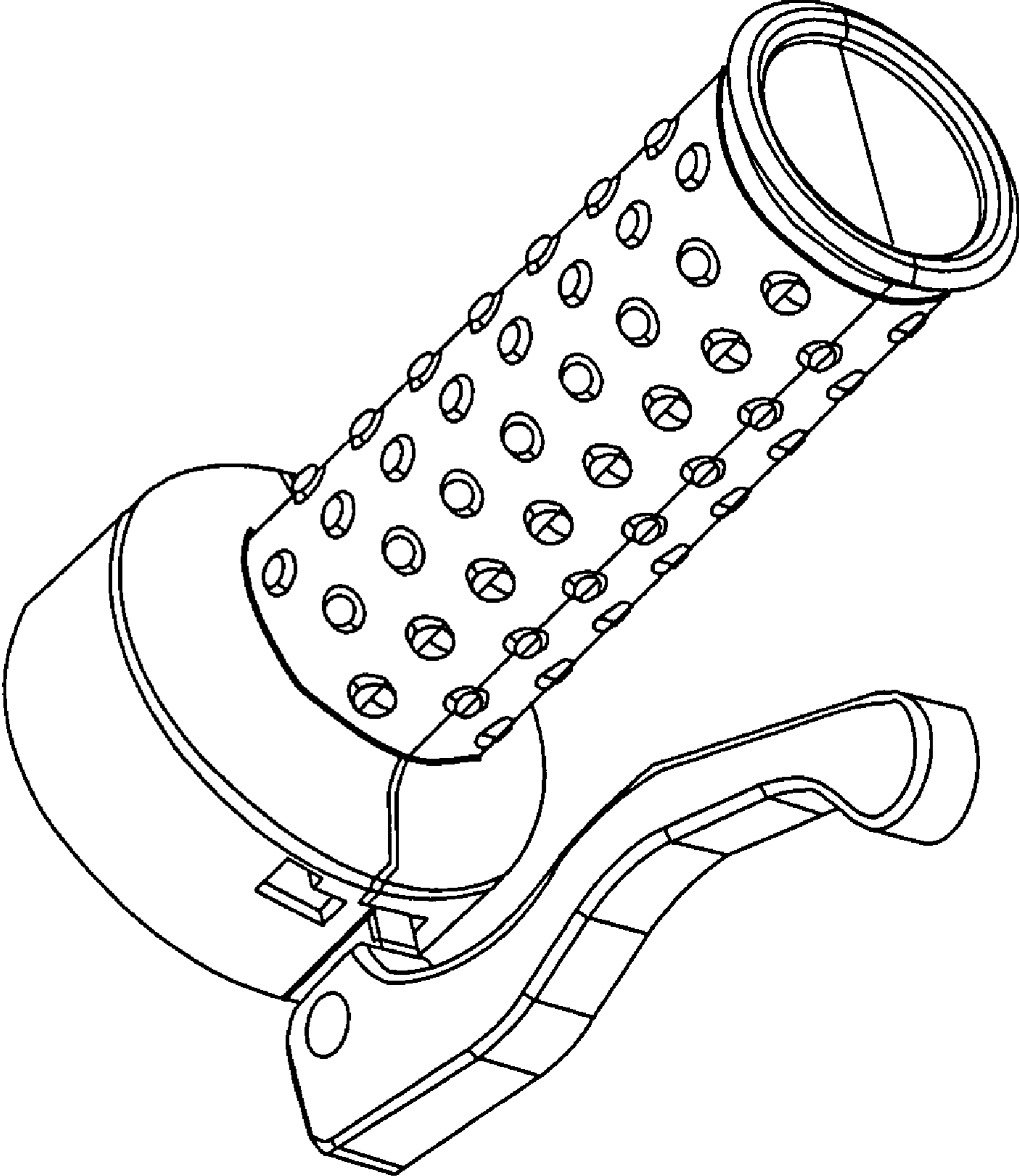


FIG. 1

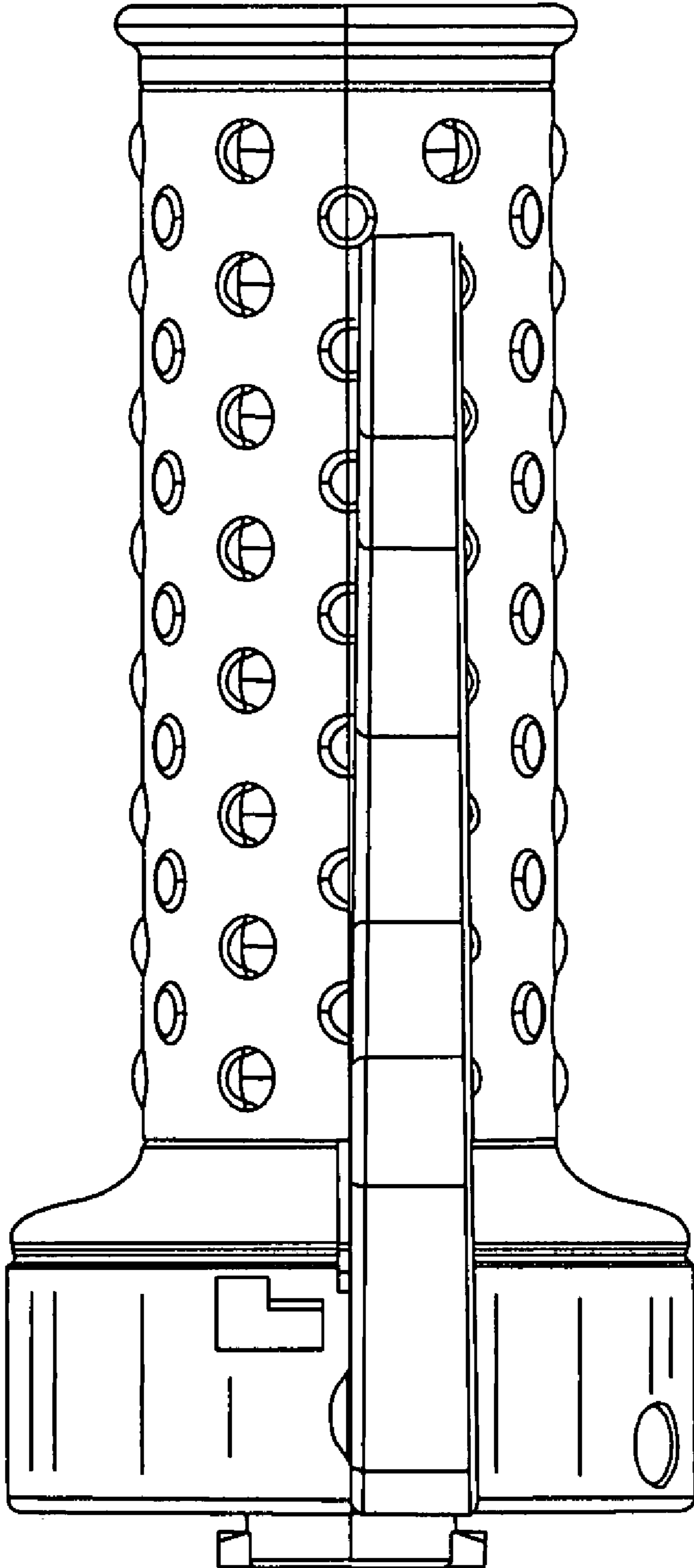


FIG. 2

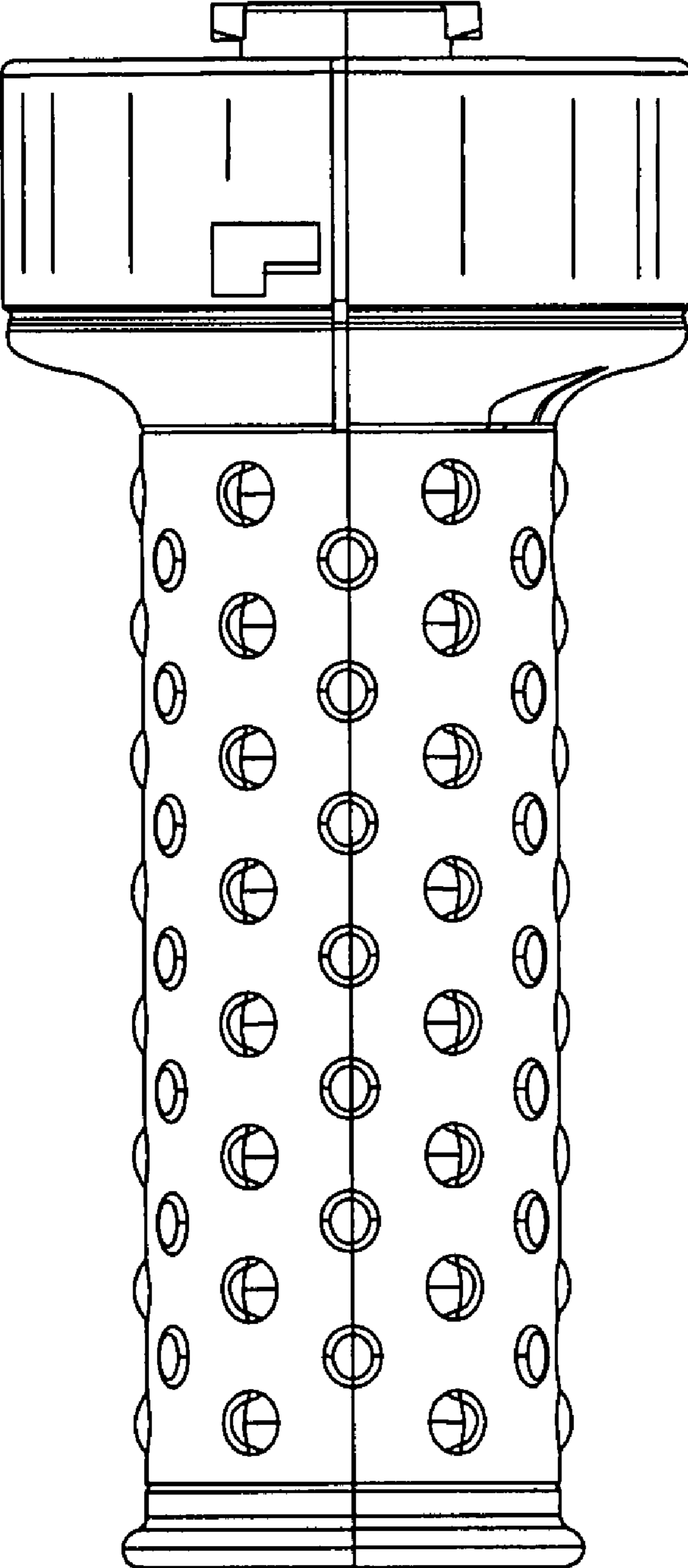


FIG. 3

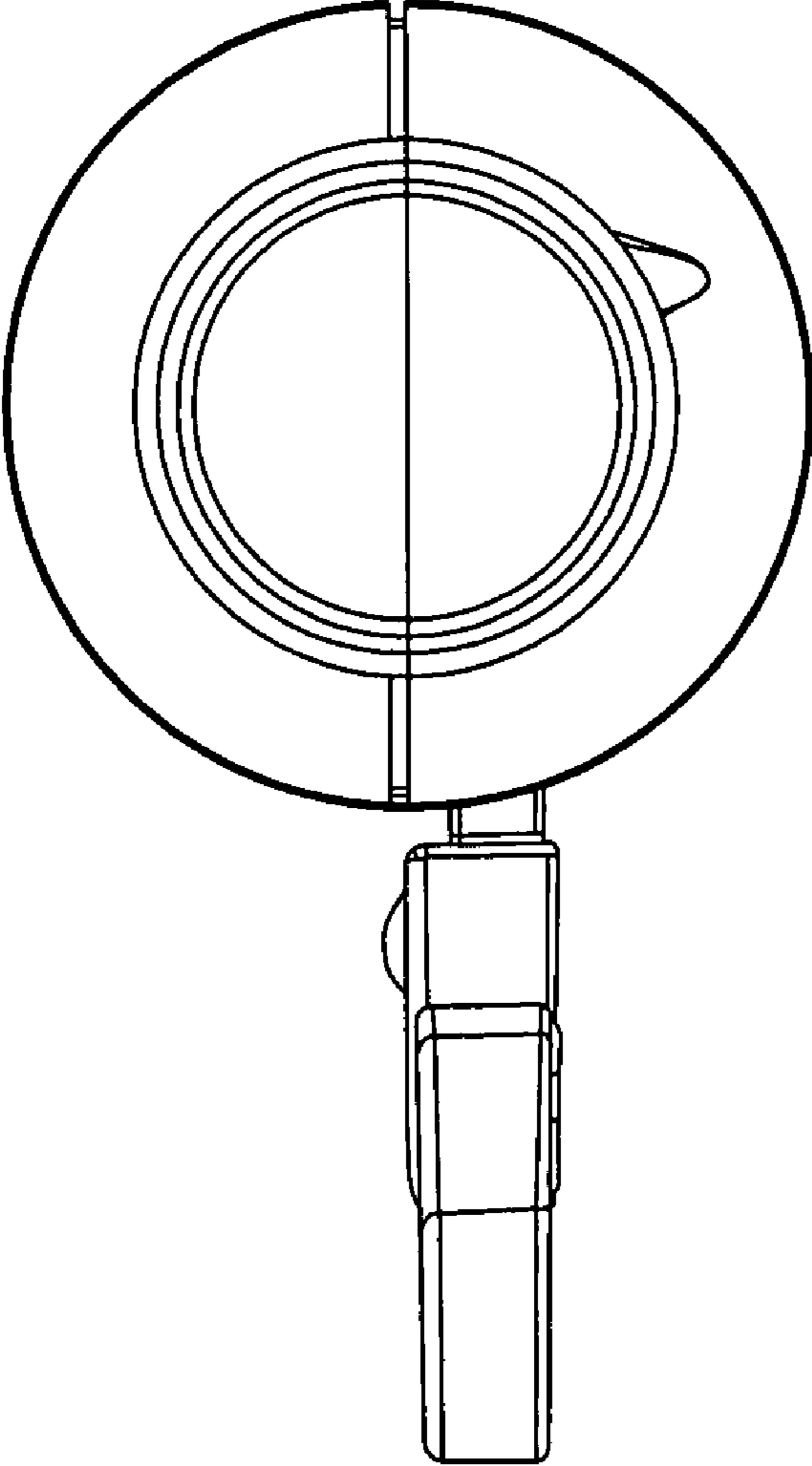


FIG. 4

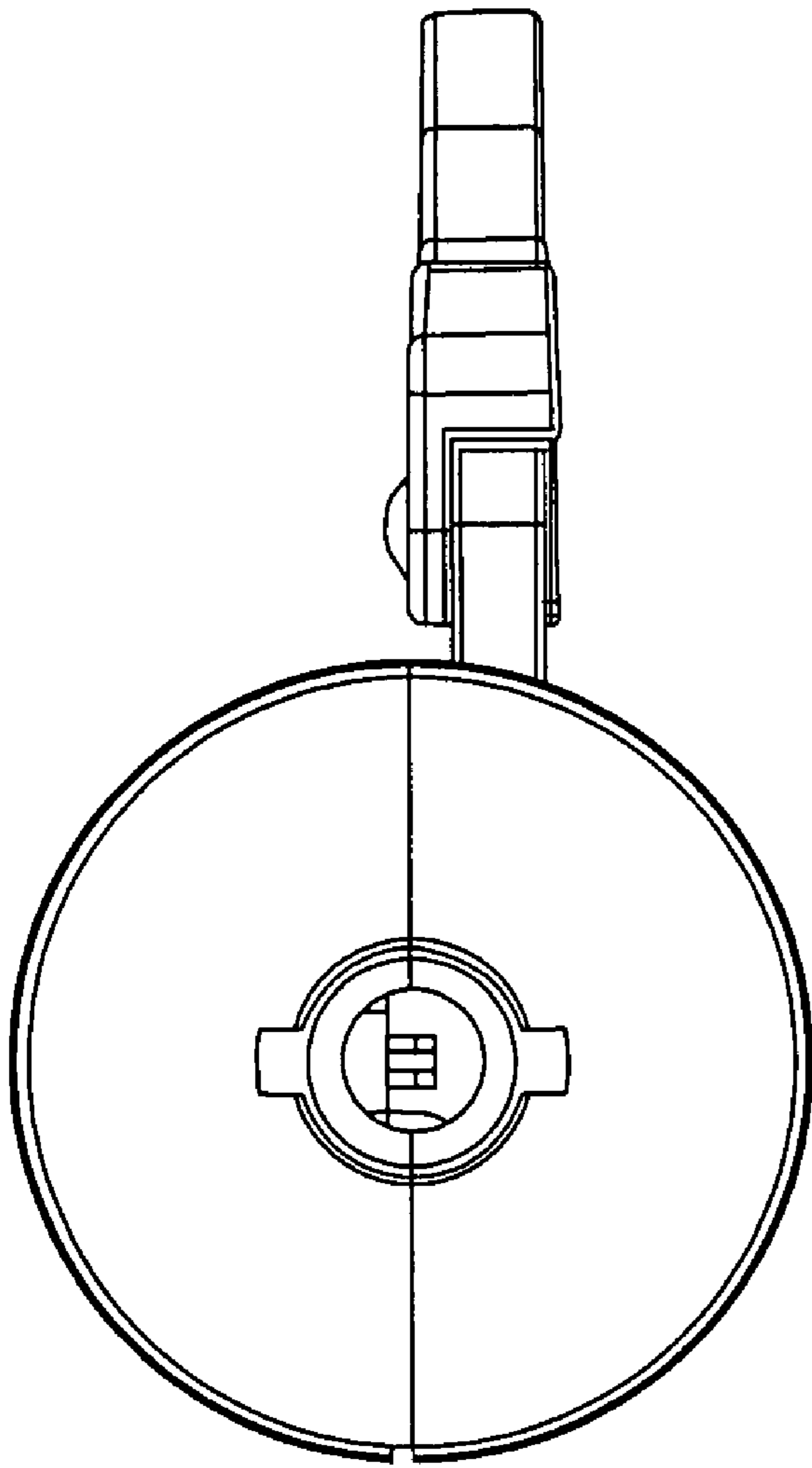


FIG. 5

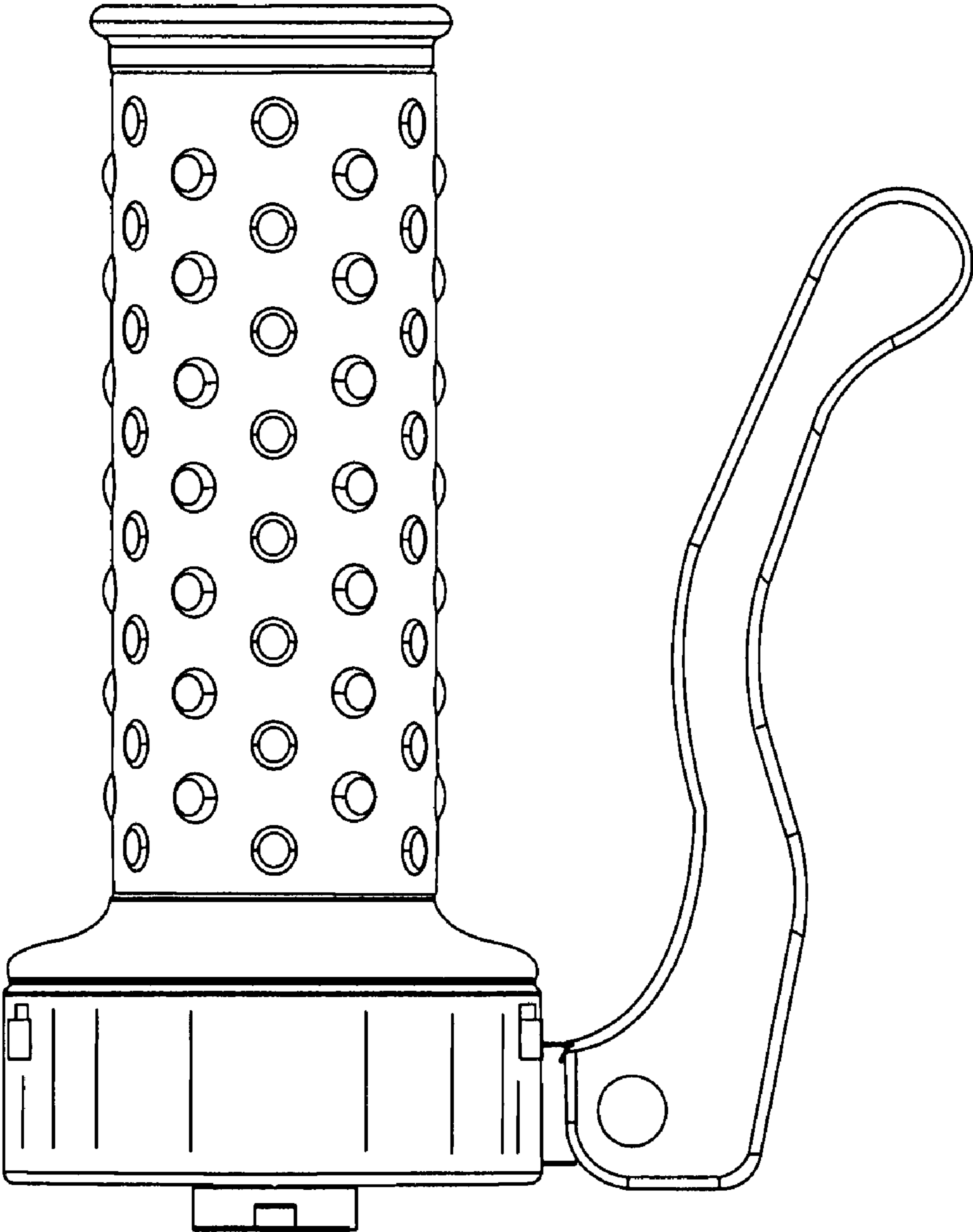


FIG. 6

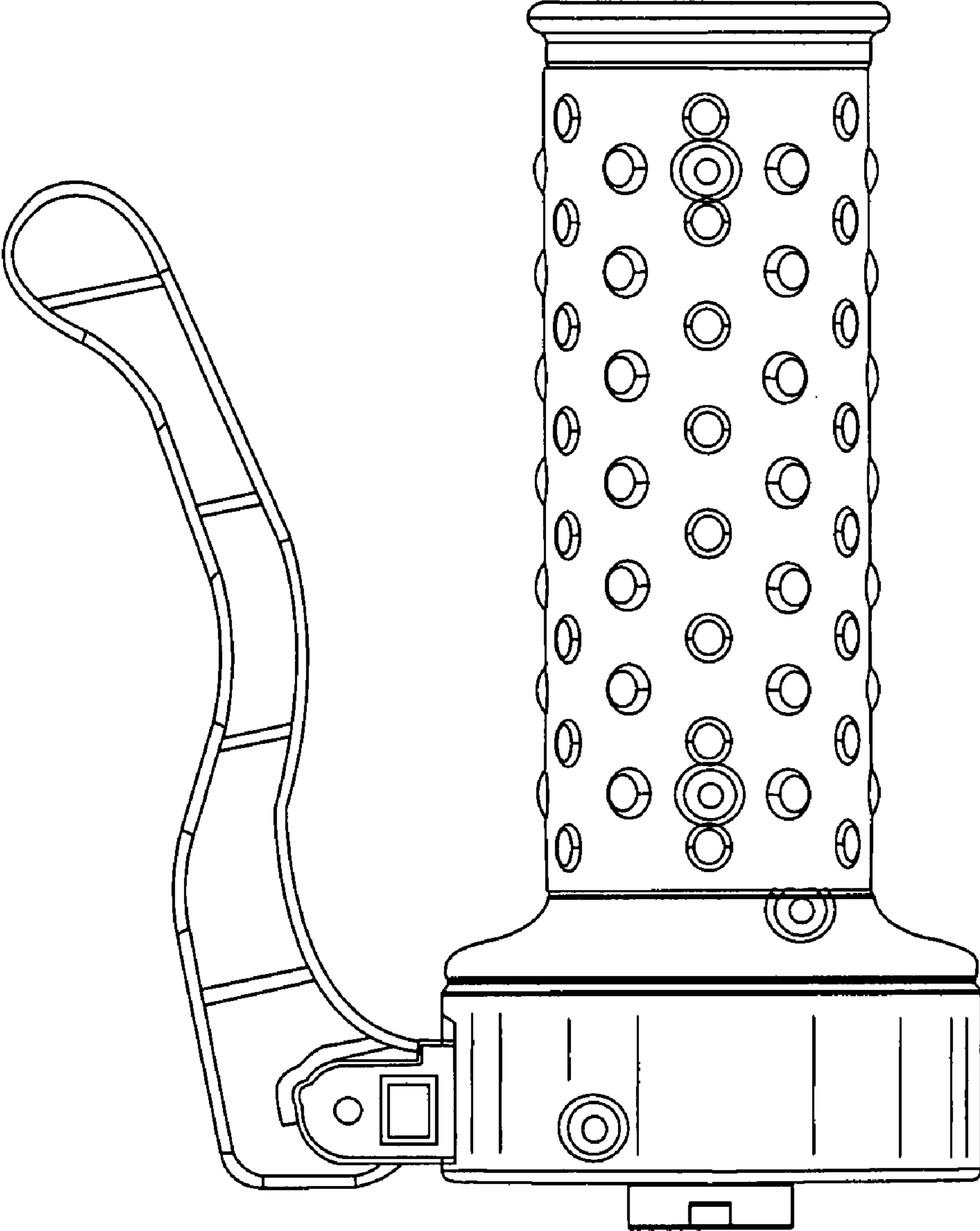


FIG. 7