



US00D660323S

(12) **United States Design Patent**
Hiraoka et al.

(10) **Patent No.:** **US D660,323 S**

(45) **Date of Patent:** **** *May 22, 2012**

(54) **ENGINE COVER FOR CONSTRUCTION MACHINE**

(75) Inventors: **Kazuhiko Hiraoka**, Kodaira (JP);
Tamio Kobayashi, Kasama (JP);
Hiroyuki Isobe, Tsuchiura (JP);
Tsuyoshi Shimizu, Kasumigaura (JP)

(73) Assignee: **Hitachi Construction Machinery Co., Ltd.**, Tokyo (JP)

(*) Notice: This patent is subject to a terminal disclaimer.

(**) Term: **14 Years**

(21) Appl. No.: **29/402,236**

(22) Filed: **Sep. 22, 2011**

(30) **Foreign Application Priority Data**

Apr. 8, 2011 (JP) 2011-008091

(51) **LOC (9) Cl.** **15-03**

(52) **U.S. Cl.** **D15/31; D15/28**

(58) **Field of Classification Search** D15/22-26,
D15/28, 30, 31, 33, 10; 414/685, 686, 694,
414/722, 680, 724; 180/89.1, 89.12, 298,
180/900, 68.5

See application file for complete search history.

(56) **References Cited**

U.S. PATENT DOCUMENTS

D294,707 S *	3/1988	Cameron	D15/31
D401,945 S *	12/1998	Cunningham et al.	D15/31
D412,712 S *	8/1999	Miller et al.	D15/31
D500,056 S *	12/2004	DeYoung et al.	D15/33
D508,499 S *	8/2005	Kurtz, Jr.	D15/31
D517,096 S *	3/2006	Landers et al.	D15/28
D559,869 S *	1/2008	Kelley et al.	D15/28
D560,050 S *	1/2008	Tokach et al.	D34/35

D578,274 S *	10/2008	Tokach et al.	D34/35
D597,106 S *	7/2009	Kelley et al.	D15/31
D624,567 S *	9/2010	Kelley	D15/33
D626,153 S *	10/2010	Gavin et al.	D15/31
D629,818 S *	12/2010	Rummer et al.	D15/31
D635,157 S *	3/2011	Rummer et al.	D15/31
D635,592 S *	4/2011	Shimomura et al.	D15/28

FOREIGN PATENT DOCUMENTS

JP	D 1311732 S	10/2007
KR	D 30-0505489 S	9/2008

* cited by examiner

Primary Examiner — Mark Goodwin

(74) *Attorney, Agent, or Firm* — Antonelli, Terry, Stout & Kraus, LLP.

(57) **CLAIM**

The ornamental design for an engine cover for construction machine, as shown and described.

DESCRIPTION

FIG. 1 is a front, top and left side perspective view of an engine cover for construction machine showing our new design;

FIG. 2 is a front elevational view thereof;

FIG. 3 is a rear elevational view thereof;

FIG. 4 is a left side elevational view thereof;

FIG. 5 is a right side elevational view thereof;

FIG. 6 is a top plan view thereof;

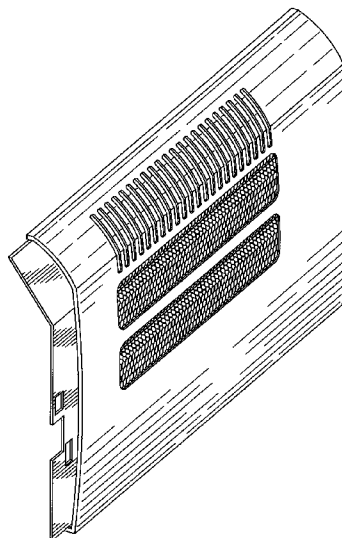
FIG. 7 is a bottom plan view thereof; ps FIG. 8 is an enlarged view of grill portion thereof of the part partitioned by A-A and B-B in FIG. 2; and,

FIG. 9 is an illustrative reference front view thereof, showing a using condition.

Each approximate hexagon showing in FIG. 2 is opening. In FIG. 9, the leftmost portion thereof is hidden.

The broken line showing of a construction machine is included for the purpose of illustrating environmental use only and forms no part of the claimed design.

1 Claim, 5 Drawing Sheets



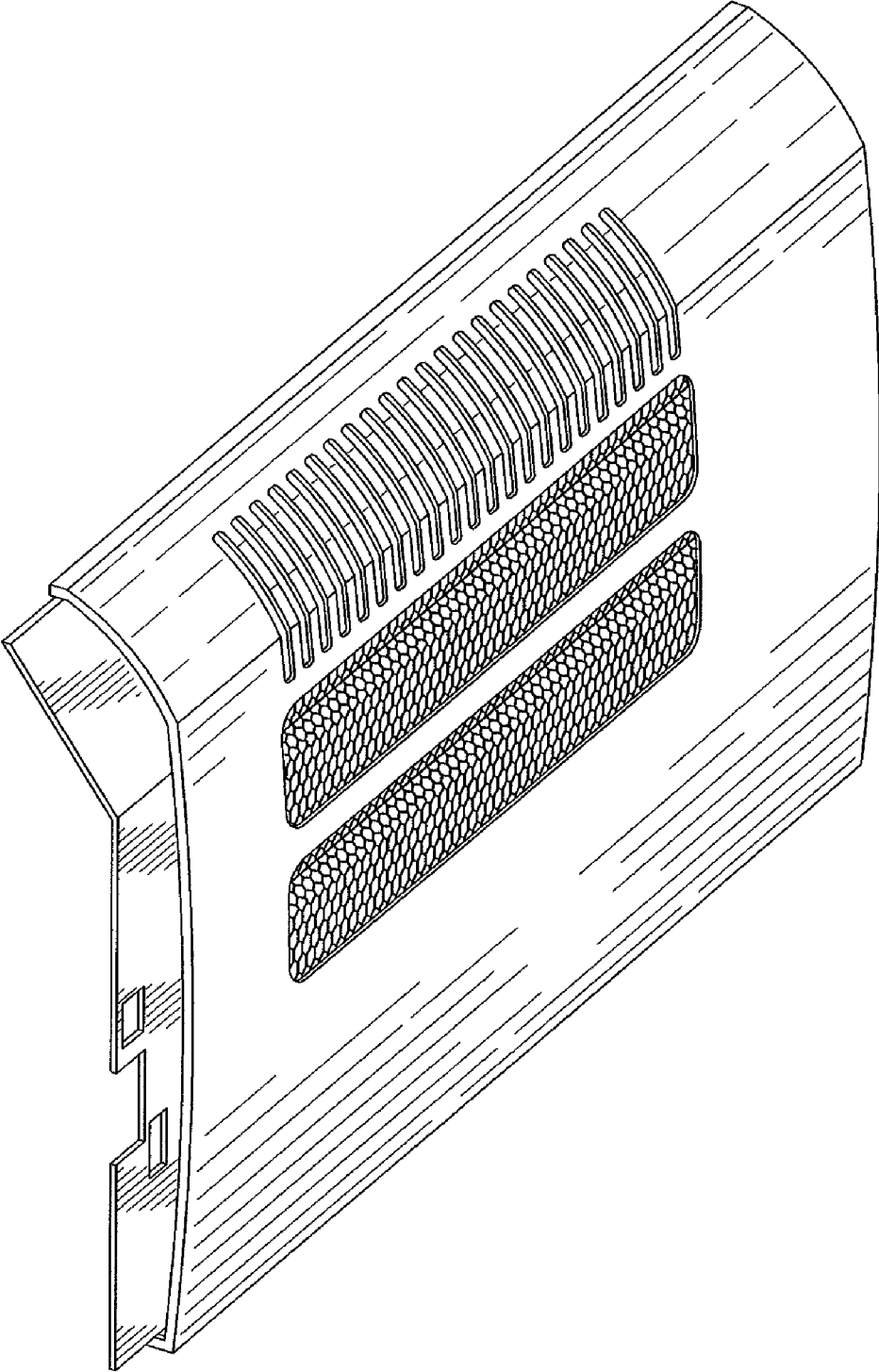


FIG. 1

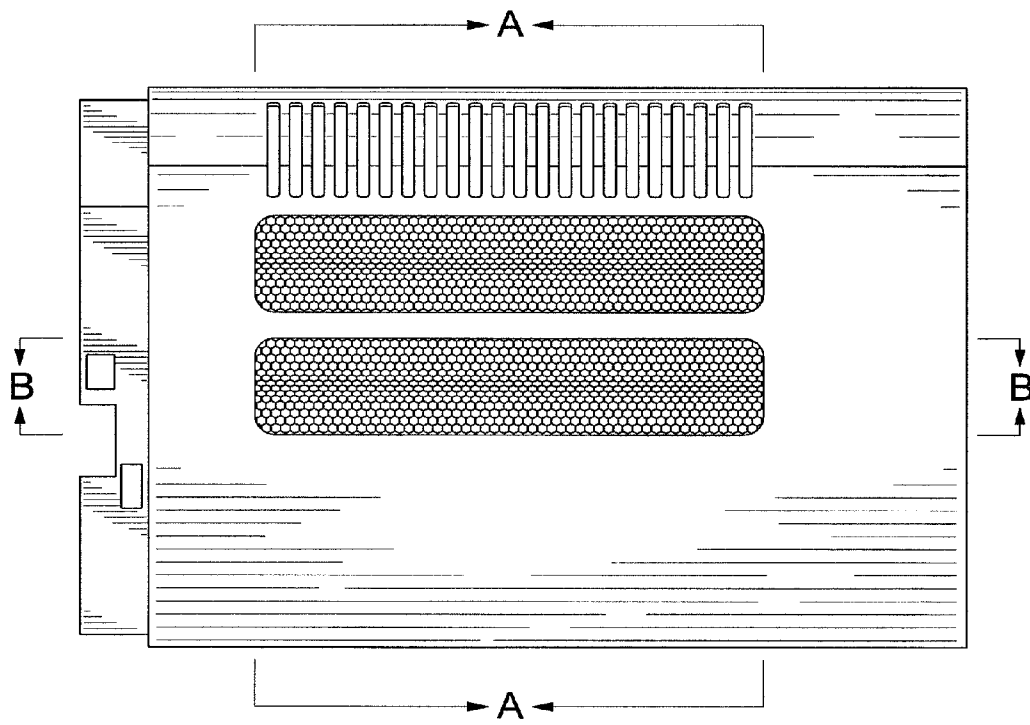


FIG. 2

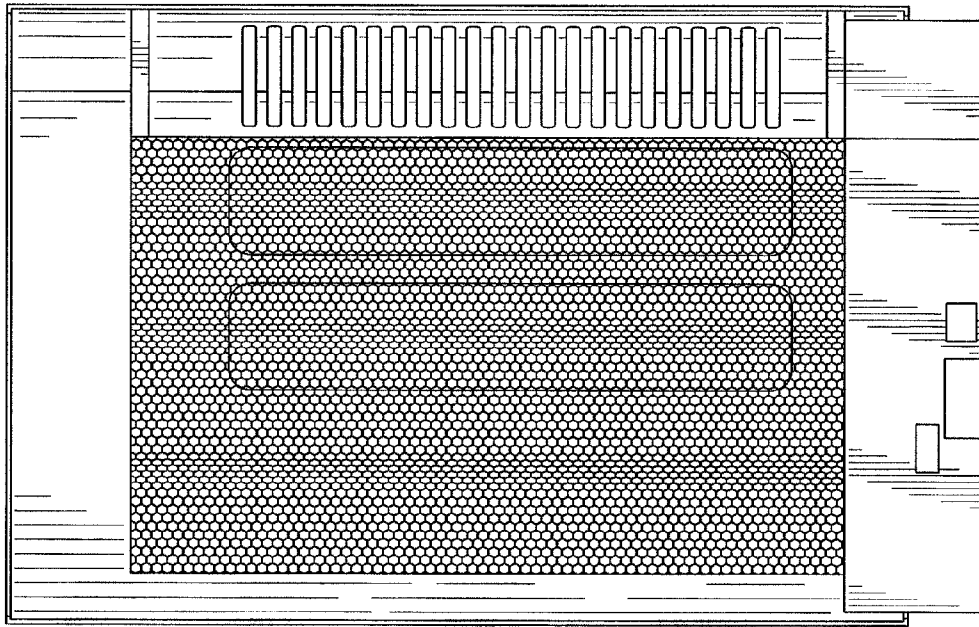


FIG. 3

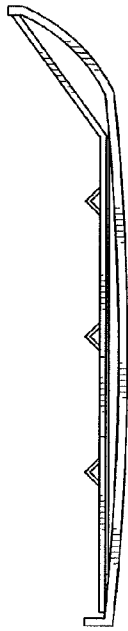


FIG. 4

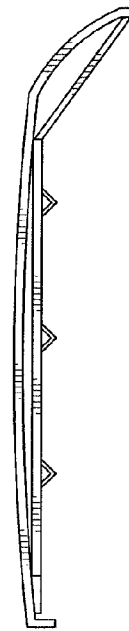


FIG. 5



FIG. 6

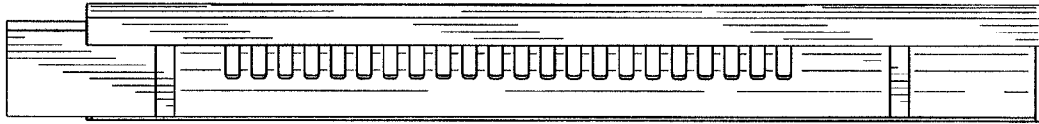


FIG. 7

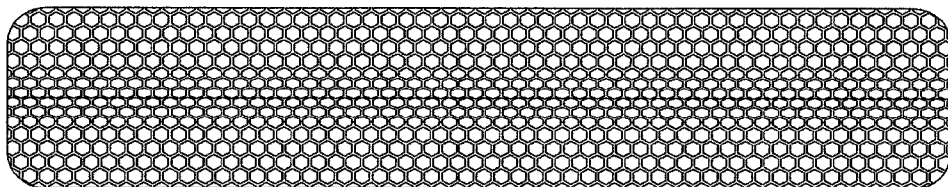


FIG. 8

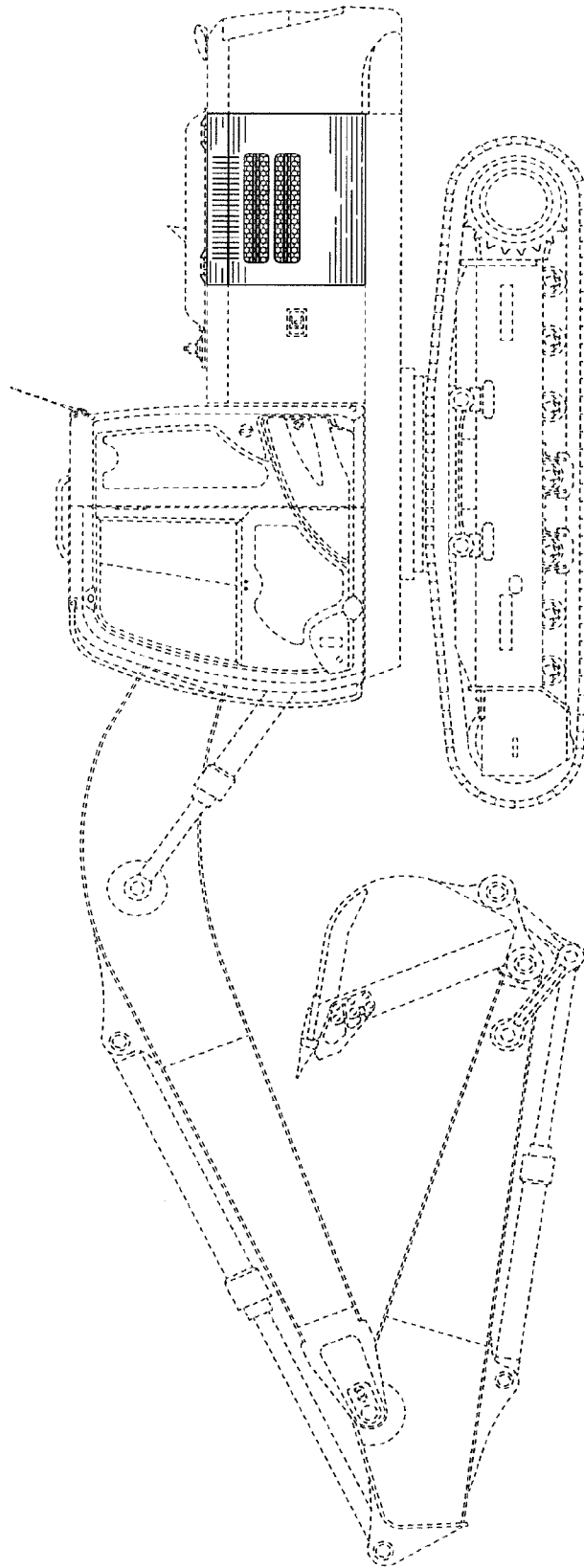


FIG. 9