



US0D1013825S

(12) **United States Design Patent**
Odell

(10) **Patent No.:** **US D1,013,825 S**

(45) **Date of Patent:** **** Feb. 6, 2024**

(54) **SCENT DISPENSER**

(71) Applicant: **Charles Mark Odell**, Spanish Fort, AL (US)

(72) Inventor: **Charles Mark Odell**, Spanish Fort, AL (US)

(**) Term: **15 Years**

(21) Appl. No.: **29/824,530**

(22) Filed: **Jan. 25, 2022**

(51) **LOC (14) Cl.** **22-05**

(52) **U.S. Cl.**
USPC **D22/125**

(58) **Field of Classification Search**
USPC D22/125, 136; D23/366-367; D9/521
CPC A01K 97/00; A01K 97/02; A01K 97/045;
A01K 97/05; A01M 31/008
See application file for complete search history.

(56) **References Cited**

U.S. PATENT DOCUMENTS

4,138,794	A *	2/1979	Chiodini	A01K 97/02
					43/44.99
5,617,669	A *	4/1997	Levey	A01K 97/02
					43/44.99
D401,660	S *	11/1998	Timm	D22/125
D447,533	S *	9/2001	Cox	D22/125
D461,220	S *	8/2002	Bambacigno	D22/129
D525,338	S *	7/2006	Larson	D22/126
7,520,086	B2 *	4/2009	Melhorn	A01K 97/02
					43/44.99
D640,343	S *	6/2011	Haroian	D22/136
D767,822	S *	9/2016	Jordan	D27/194

D776,234	S *	1/2017	Danos	D22/146
D788,280	S *	5/2017	Shah	D23/366
D858,687	S *	9/2019	LaRoy	D22/136
D915,547	S *	4/2021	Haner	D22/144
D939,041	S *	12/2021	Boyette	D22/136
D958,451	S *	7/2022	Li	D27/162
D963,831	S *	9/2022	Lee	D23/366
D965,512	S *	10/2022	Liao	D13/103
D965,513	S *	10/2022	Liao	D13/103
D972,065	S *	12/2022	Hopkins	D22/125
D990,615	S *	6/2023	James	D22/136

* cited by examiner

Primary Examiner — Catherine R Oliver-Garcia

(57) **CLAIM**

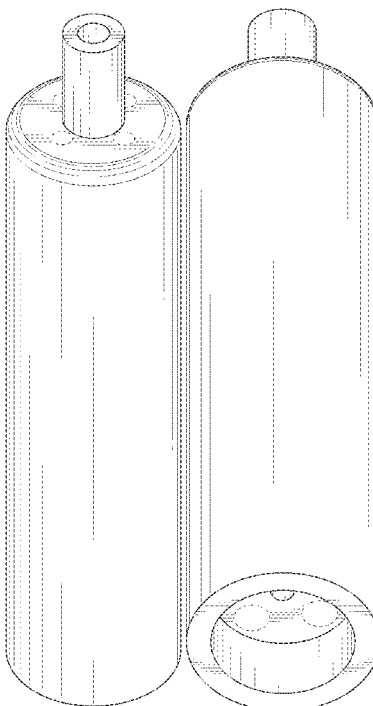
The ornamental design for a scent dispenser, as shown and described.

DESCRIPTION

FIG. 1 is a front-top perspective view of a scent dispenser showing my new design;
 FIG. 2 is a front-bottom perspective view thereof;
 FIG. 3 is a front elevational view thereof, wherein the rear elevational view, the left elevational view, and the right elevational view are identical thereto;
 FIG. 4 is a top plan view thereof;
 FIG. 5 is a bottom plan view thereof; and,
 FIG. 6 is a cross sectional view taken along line 6-6 in FIG. 3.

The broken lines shown in FIGS. 1-2 and 4-6 are for illustrative purposes only and form no part of the claimed design.

1 Claim, 6 Drawing Sheets



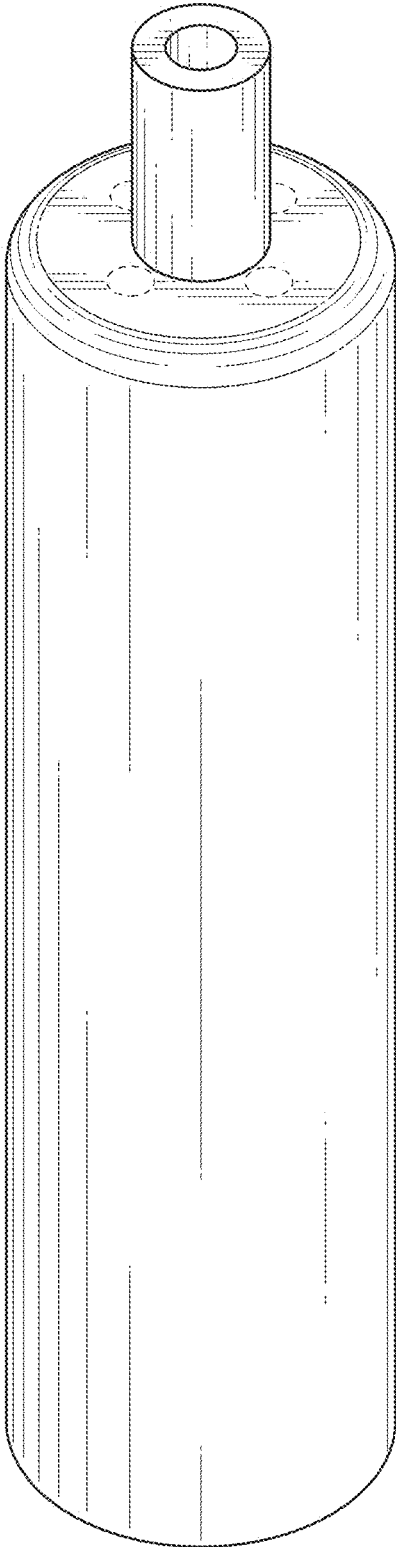


FIG. 1

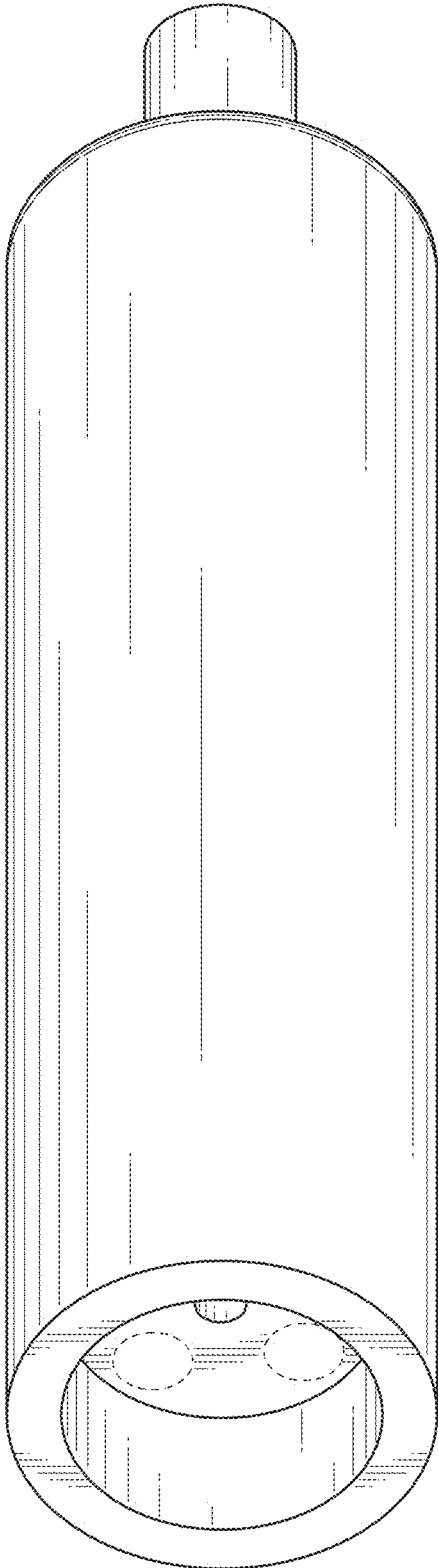


FIG. 2

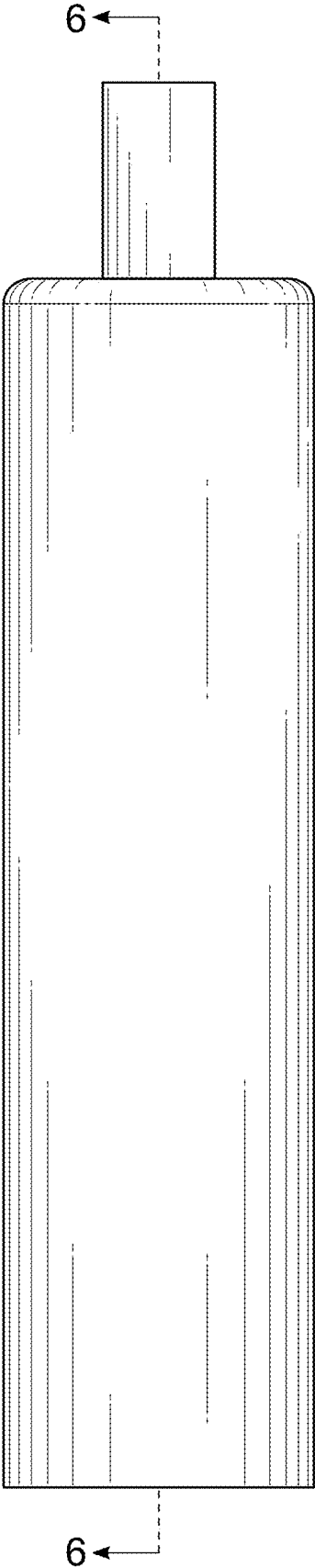


FIG. 3

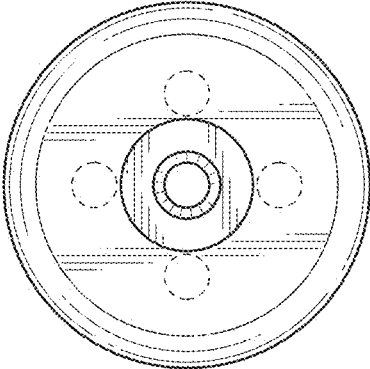


FIG. 4

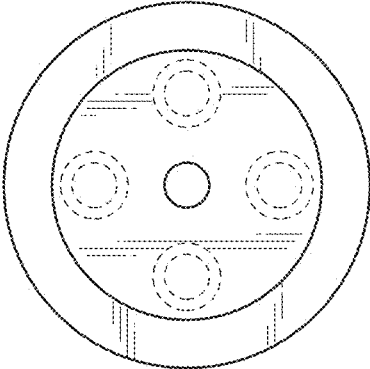


FIG. 5

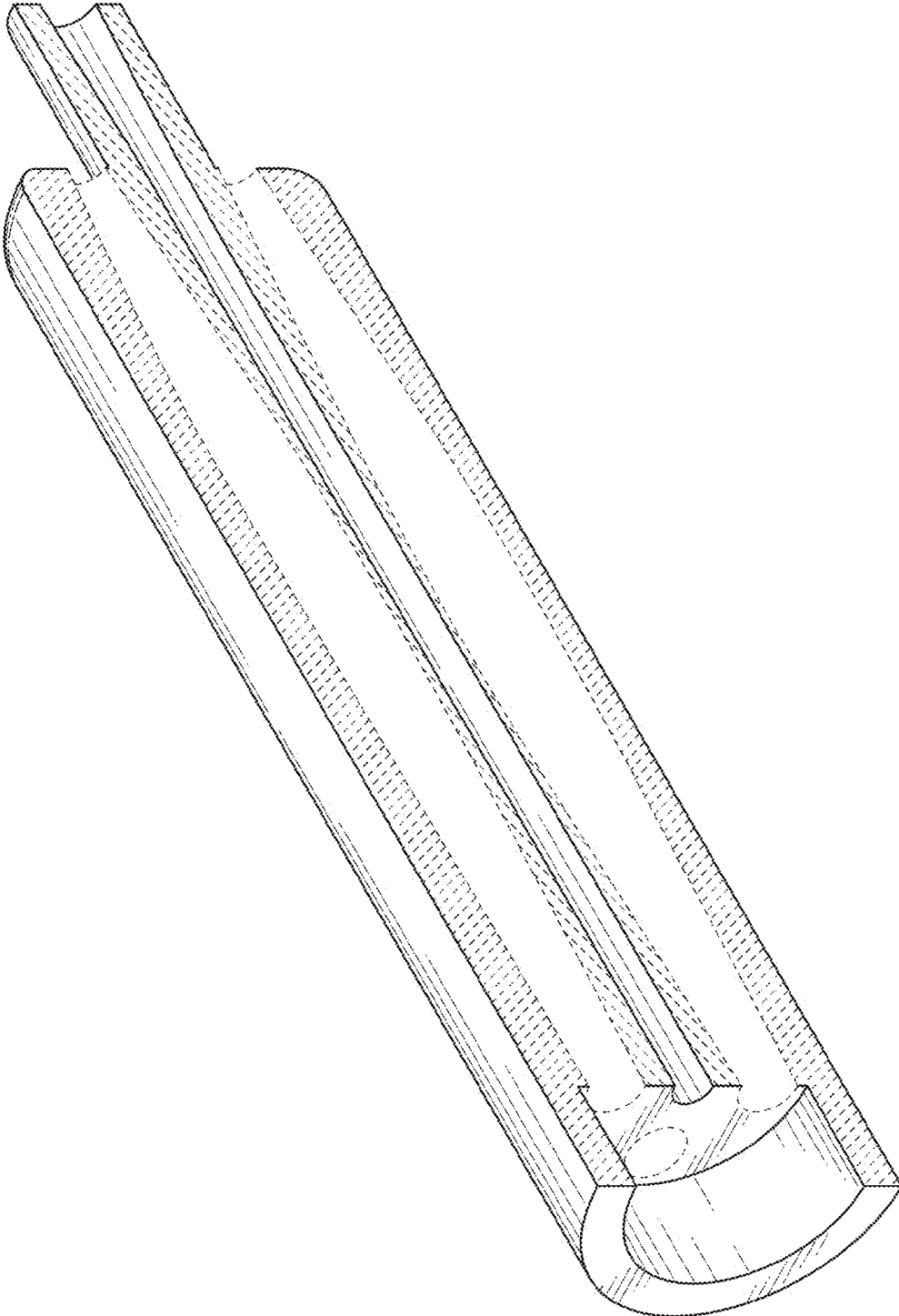


FIG. 6