



US00D946116S

(12) **United States Design Patent**  
**Elser**

(10) **Patent No.:** **US D946,116 S**

(45) **Date of Patent:** **\*\* Mar. 15, 2022**

- (54) **FAUCET SPRAYHEAD**
- (71) Applicant: **DELTA FAUCET COMPANY**,  
Indianapolis, IN (US)
- (72) Inventor: **Simon Elser**, Indianapolis, IN (US)
- (73) Assignee: **DELTA FAUCET COMPANY**,  
Indianapolis, IN (US)
- (\*\*) Term: **15 Years**

2007/0267073	A1*	11/2007	Williams	.....	E03C 1/04 137/606
2012/0267455	A1*	10/2012	Hansen	.....	B05B 1/18 239/547
2014/0291419	A1*	10/2014	Pitsch	.....	E03C 1/084 239/437
2015/0184366	A1*	7/2015	Zhang	.....	B05B 1/1618 4/678
2018/0126393	A1*	5/2018	Wang	.....	B05B 1/185
2019/0145085	A1*	5/2019	Liao	.....	B05B 1/1609 137/801

(Continued)

(21) Appl. No.: **29/754,332**

(22) Filed: **Oct. 9, 2020**

(51) **LOC (13) Cl.** ..... **23-01**

(52) **U.S. Cl.**  
USPC ..... **D23/226**

(58) **Field of Classification Search**  
USPC ..... D23/213, 223, 224, 226, 228, 229, 238,  
D23/239, 240, 241, 242, 250  
CPC ..... B05B 1/16; B05B 1/1618; B05B 1/18;  
E03C 1/0401; E03C 1/0405; E03C  
1/0408; E03C 1/066; E03C 2001/0415  
See application file for complete search history.

(56) **References Cited**

**U.S. PATENT DOCUMENTS**

D188,644	S	*	8/1960	Kohler	.....	D23/229
D189,117	S	*	10/1960	Kohler	.....	D23/229
D583,015	S	*	12/2008	Soriano	.....	D23/249
D791,920	S	*	7/2017	Fritz	.....	D23/242
D802,091	S	*	11/2017	Bahler	.....	D23/226
10,005,090	B1	*	6/2018	Wang	.....	B05B 1/185
D840,511	S	*	2/2019	Garland	.....	D23/242
D860,392	S	*	9/2019	Garland	.....	D23/238
D870,235	S	*	12/2019	Tentler	.....	D23/213
D870,845	S	*	12/2019	Eads	.....	D23/213
D881,341	S	*	4/2020	Garland	.....	D23/213
D930,118	S	*	9/2021	Elser	.....	D23/238
2004/0144866	A1	*	7/2004	Nelson	.....	B05B 1/16 239/436

**OTHER PUBLICATIONS**

Pfister GT529WH1C Kitchen Faucet, Dec. 5, 2016, Amazon, site visited Nov. 1, 2021: <https://www.amazon.ca/dp/B01M6CLDJW/> (Year: 2016).\*

(Continued)

*Primary Examiner* — Jack Reickel  
*Assistant Examiner* — Bobby W Jones, II  
(74) *Attorney, Agent, or Firm* — Nirav D. Parikh; Edgar A. Zarins

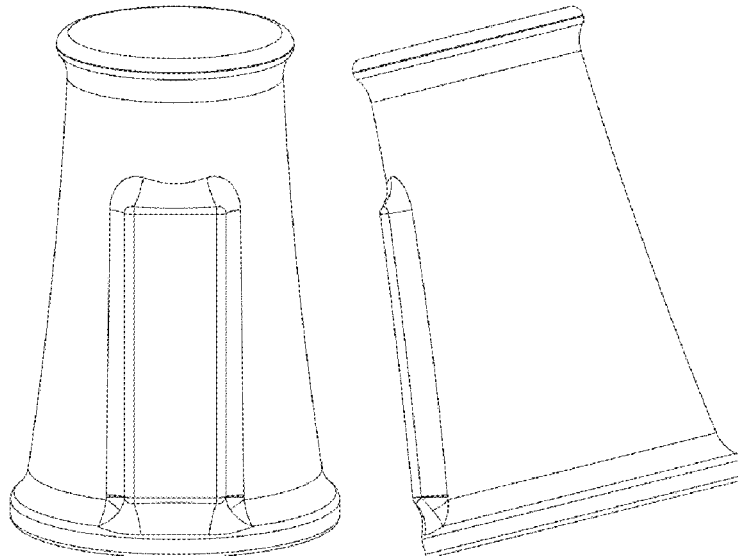
(57) **CLAIM**

The ornamental design for a faucet sprayhead, as shown and described.

**DESCRIPTION**

FIG. 1 is a front perspective view of a faucet sprayhead showing my new design;  
FIG. 2 is a rear perspective view thereof;  
FIG. 3 is a front elevational view thereof;  
FIG. 4 is a left side view thereof;  
FIG. 5 is a rear view thereof;  
FIG. 6 is a right side view thereof;  
FIG. 7 is a top plan view thereof; and,  
FIG. 8 is a bottom view thereof.

**1 Claim, 4 Drawing Sheets**



(56)

**References Cited**

U.S. PATENT DOCUMENTS

2019/0184409 A1\* 6/2019 Wang ..... B05B 1/3013  
2021/0277637 A1\* 9/2021 Wu ..... E03C 1/0405

OTHER PUBLICATIONS

MOEN Noell Kitchen Faucet, Feb. 7, 2018, Amazon, site visited  
Nov. 1, 2021: <https://www.amazon.ca/dp/B079LG5WXD/> (Year:  
2018).\*

\* cited by examiner

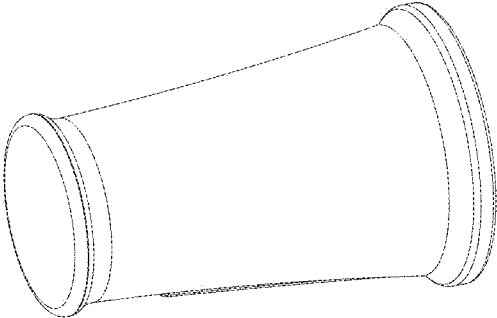


FIG - 2

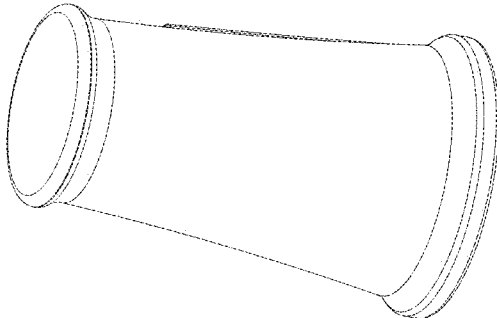


FIG - 1

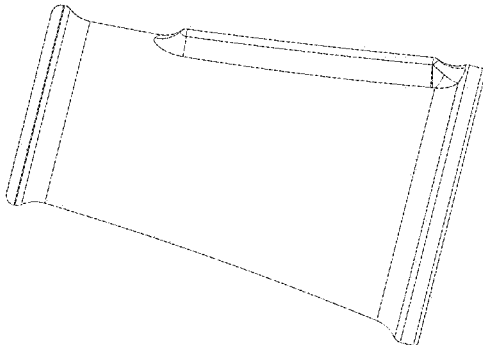


FIG - 4

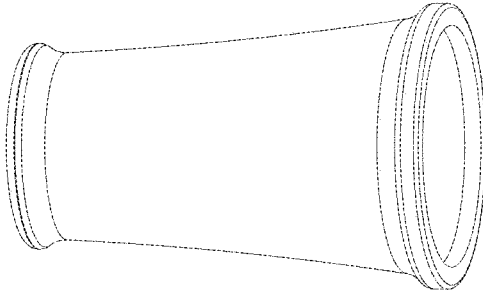


FIG - 3

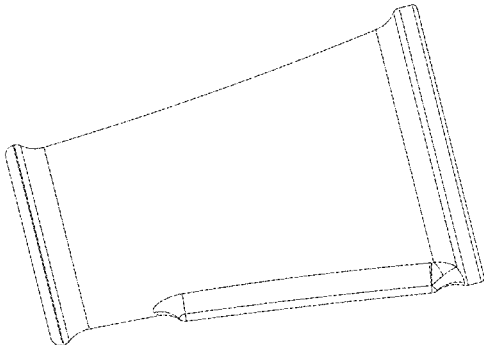


FIG - 6

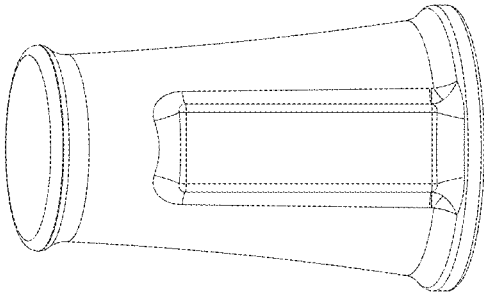


FIG - 5

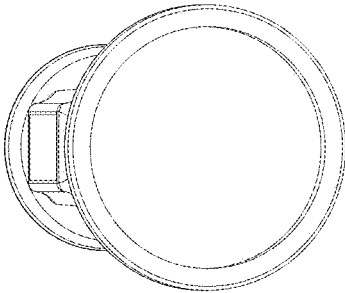


FIG - 8

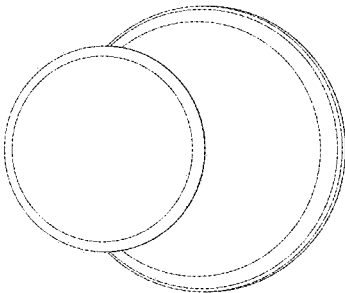


FIG - 7