



US00D325323S

United States Patent [19]

[11] Patent Number: **Des. 325,323**

Kahl

[45] Date of Patent: **** Apr. 14, 1992**

[54] ICE CHEST

[75] Inventor: **W. Henry Kahl, Wooster, Ohio**

[73] Assignee: **Rubbermaid Incorporated, Wooster, Ohio**

[**] Term: **14 Years**

[21] Appl. No.: **384,469**

[22] Filed: **Jul. 25, 1989**

[52] U.S. Cl. **D7/605**

[58] Field of Search **D7/605-608;**
D3/30.1; 62/457.1, 457.2; 206/541, 545, 549;
220/318, 410, 902

West Belt Drive, Houston, Tex. 77224-9322, publication date 1986, Cooler.

Catalog Page, The Coleman Company, 250 North St. Francis, Wichita, Kans. 67201, publication date unknown, Cooler.

Pages 10 and 11, The Coleman Company 250 North St. Francis, Wichita, Kans. 67201, publication date unknown, Cooler.

Price List, p. 3, Thermos Outdoor Living Products, Rt. 75 East, Freeport, Ill. 61032, publication date Aug. 1, 1988, Cooler.

Catalog page, Rubbermaid Incorporated, 1147 Akron Road, Wooster, Ohio 44691, publication date 1988, Cooler.

Marine Line sell sheet, Rubbermaid Incorporated, 1147 Akron Road, Wooster, Ohio 44691, publication date 1988, Cooler.

Primary Examiner—Terry A. Pfeffer

Attorney, Agent, or Firm—Richard B. O'Planick

[56]

References Cited

U.S. PATENT DOCUMENTS

- D. 232,798 9/1974 Roche D7/605
- D. 237,135 10/1975 Wiant et al. . .
- D. 244,822 6/1977 Havelly et al. . .
- D. 257,934 1/1981 Buss .
- 3,791,547 2/1974 Branscum .
- 3,987,829 10/1976 Leone .
- 4,024,731 5/1977 Branscum .
- 4,696,412 9/1987 McGowan et al. .

OTHER PUBLICATIONS

Sell sheets, Igloo Corporation, P.O. Box 19322, 1001 West Belt Drive, Houston, Tex. 77224-9322, publication dates 1988 and 1989, Cooler. Pages 10 & 11, Igloo Corporation P.O. Box 19322, 1001

[57]

CLAIM

The ornamental design for an ice chest, as shown and described.

DESCRIPTION

FIG. 1 is a front perspective view of an ice chest, showing my new design;

FIG. 2 is a top plan view thereof;

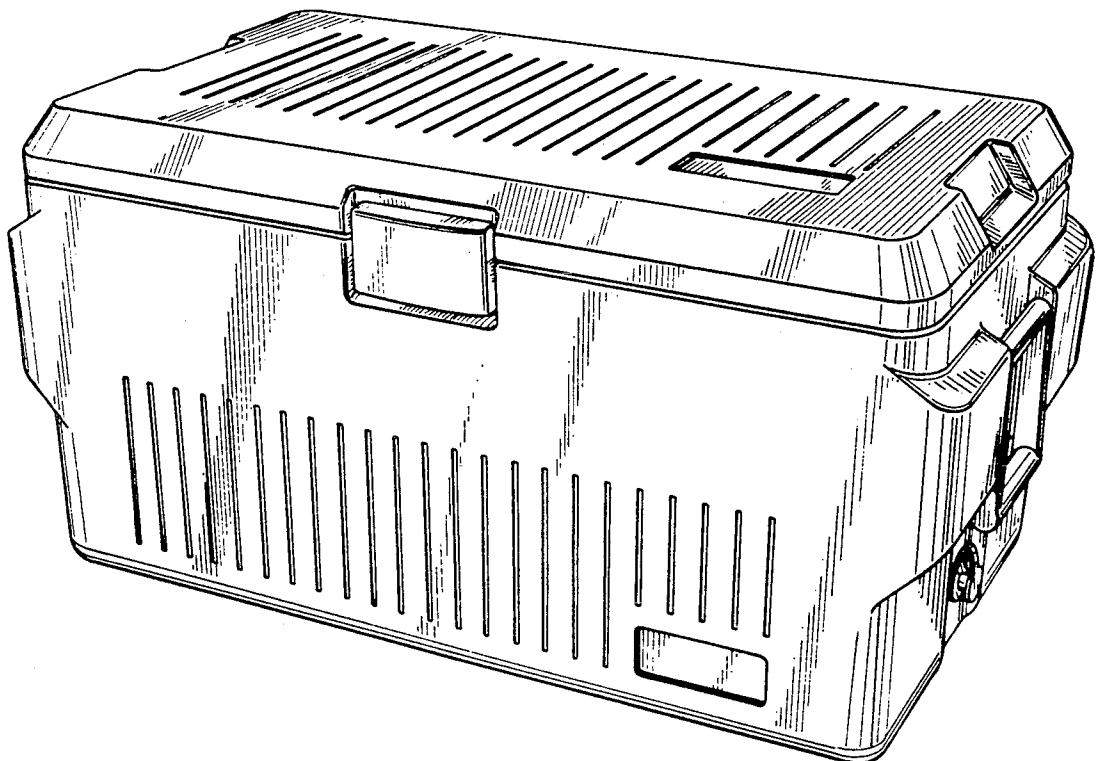
FIG. 3 is a bottom plan view thereof;

FIG. 4 is a front elevational view thereof;

FIG. 5 is a rear elevational view thereof;

FIG. 6 is a left side elevational view thereof; and,

FIG. 7 is a right side elevational view thereof.



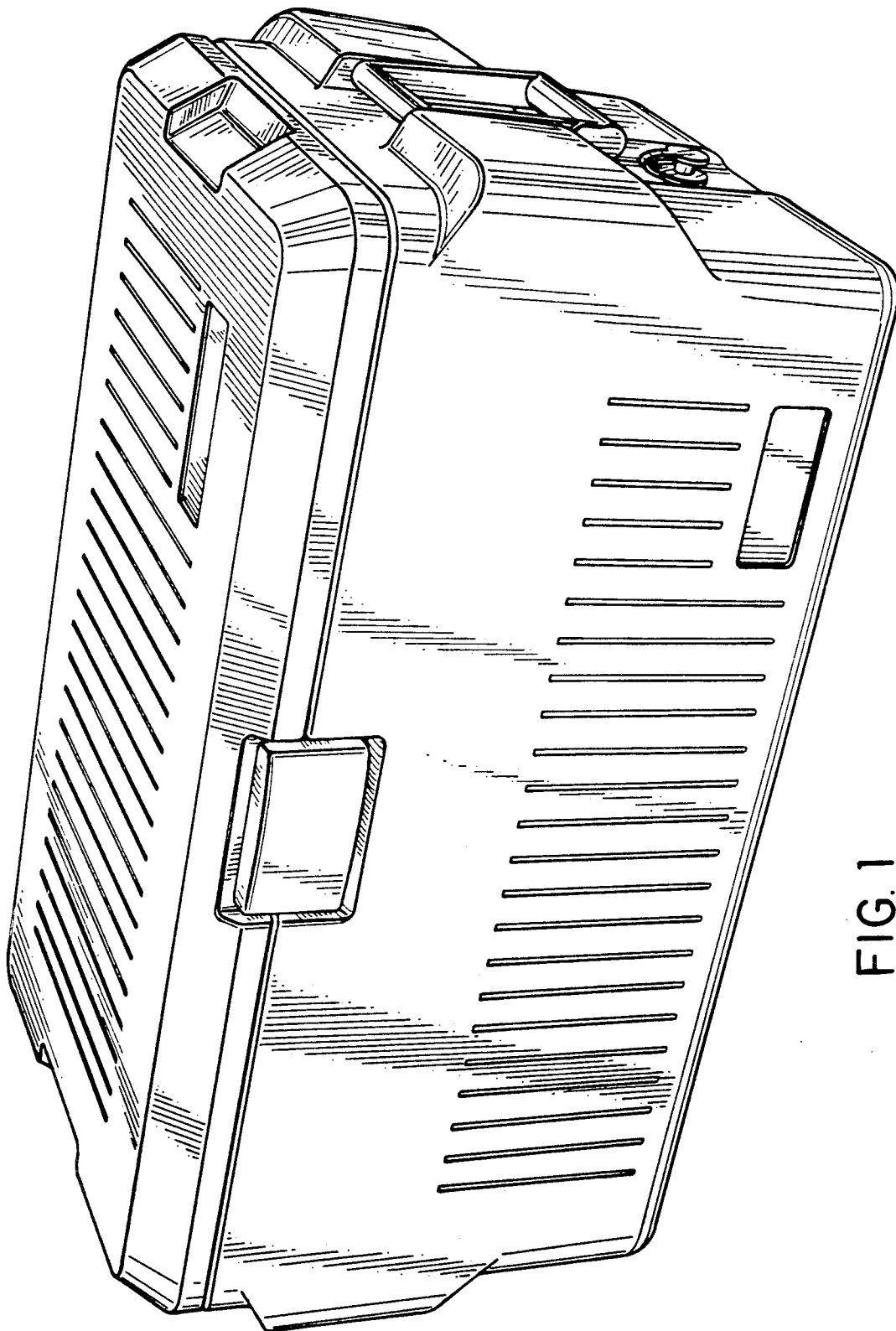


FIG. 1

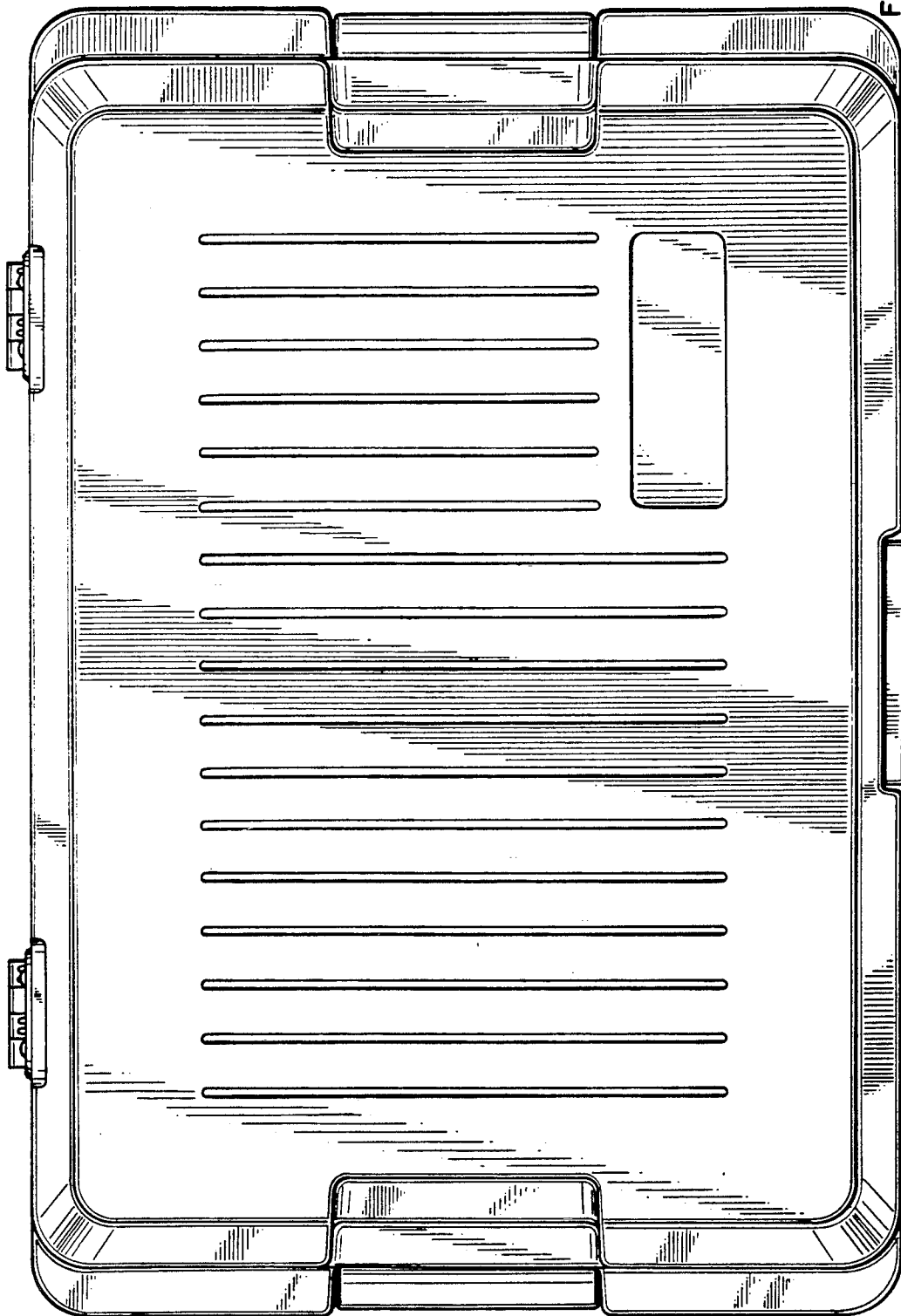


FIG. 2

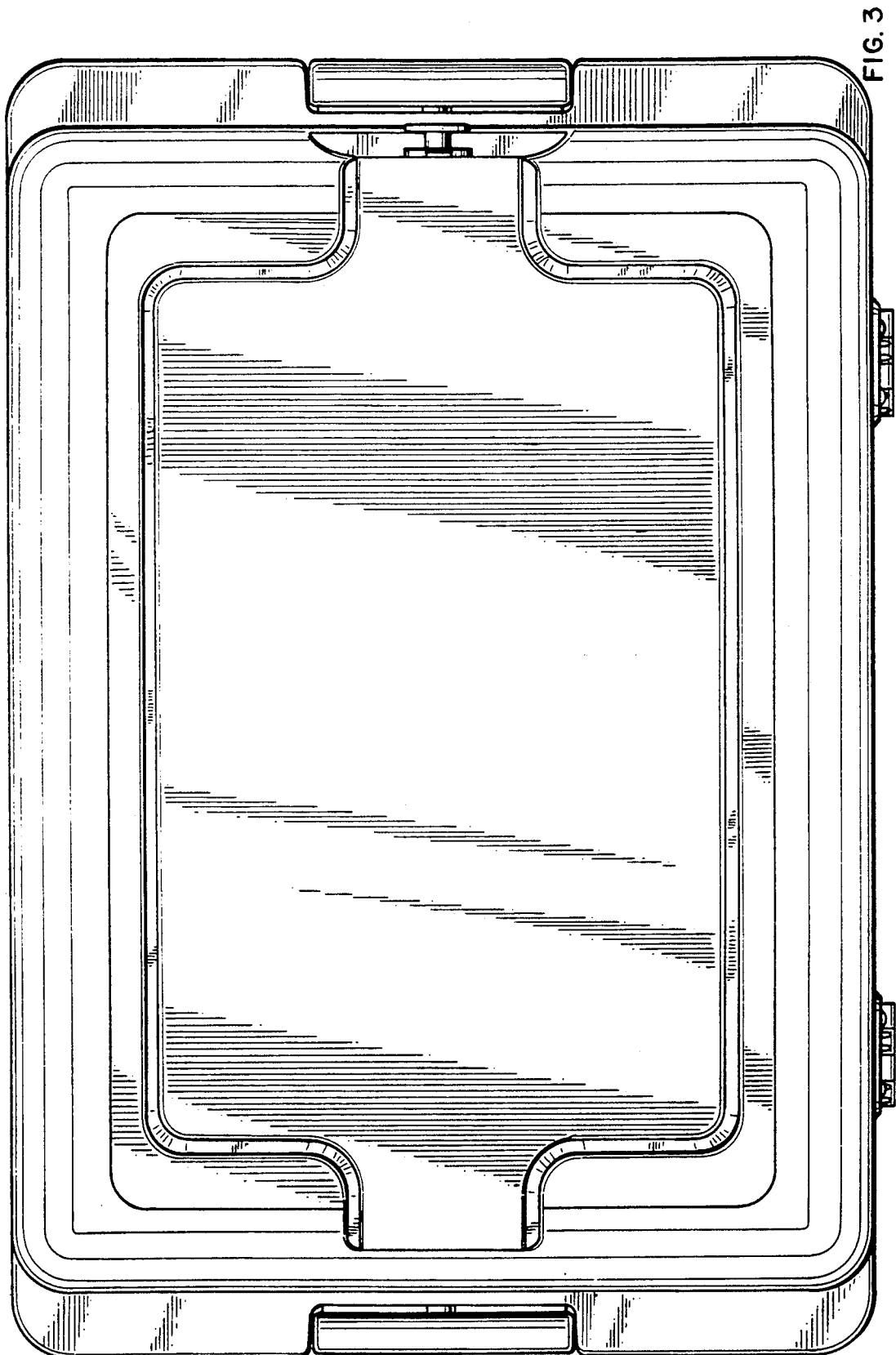


FIG. 3

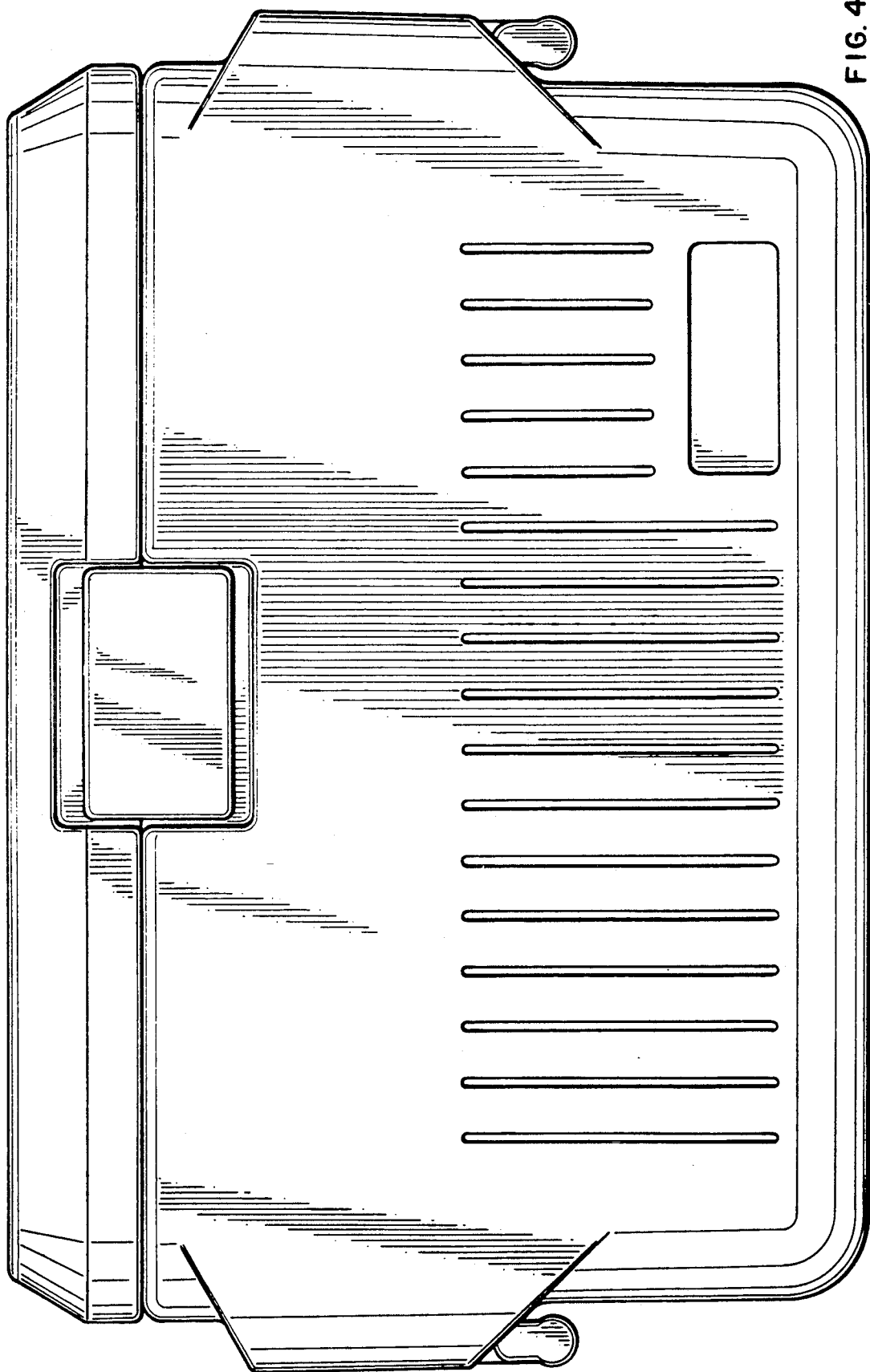


FIG. 4

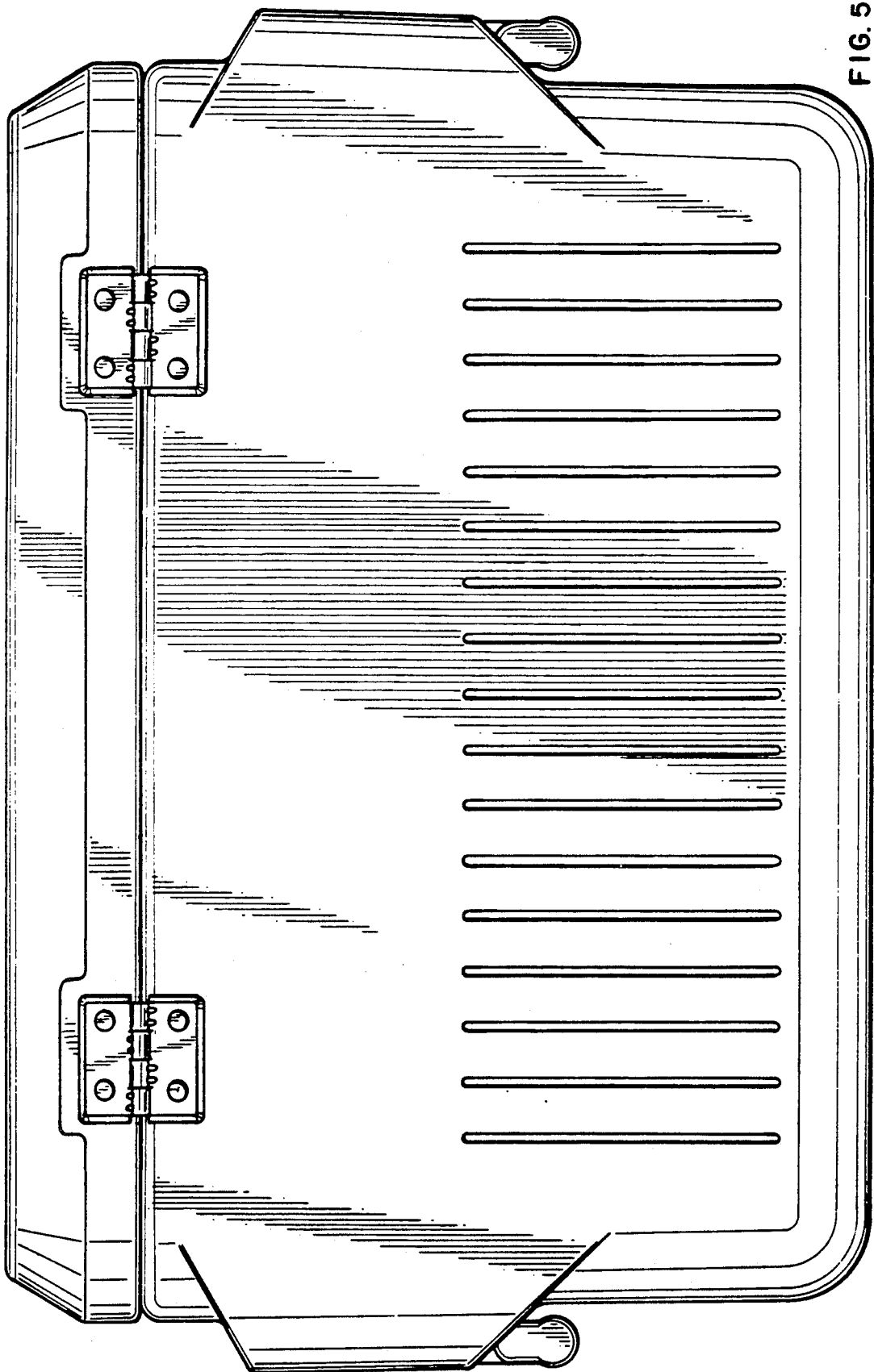


FIG. 5

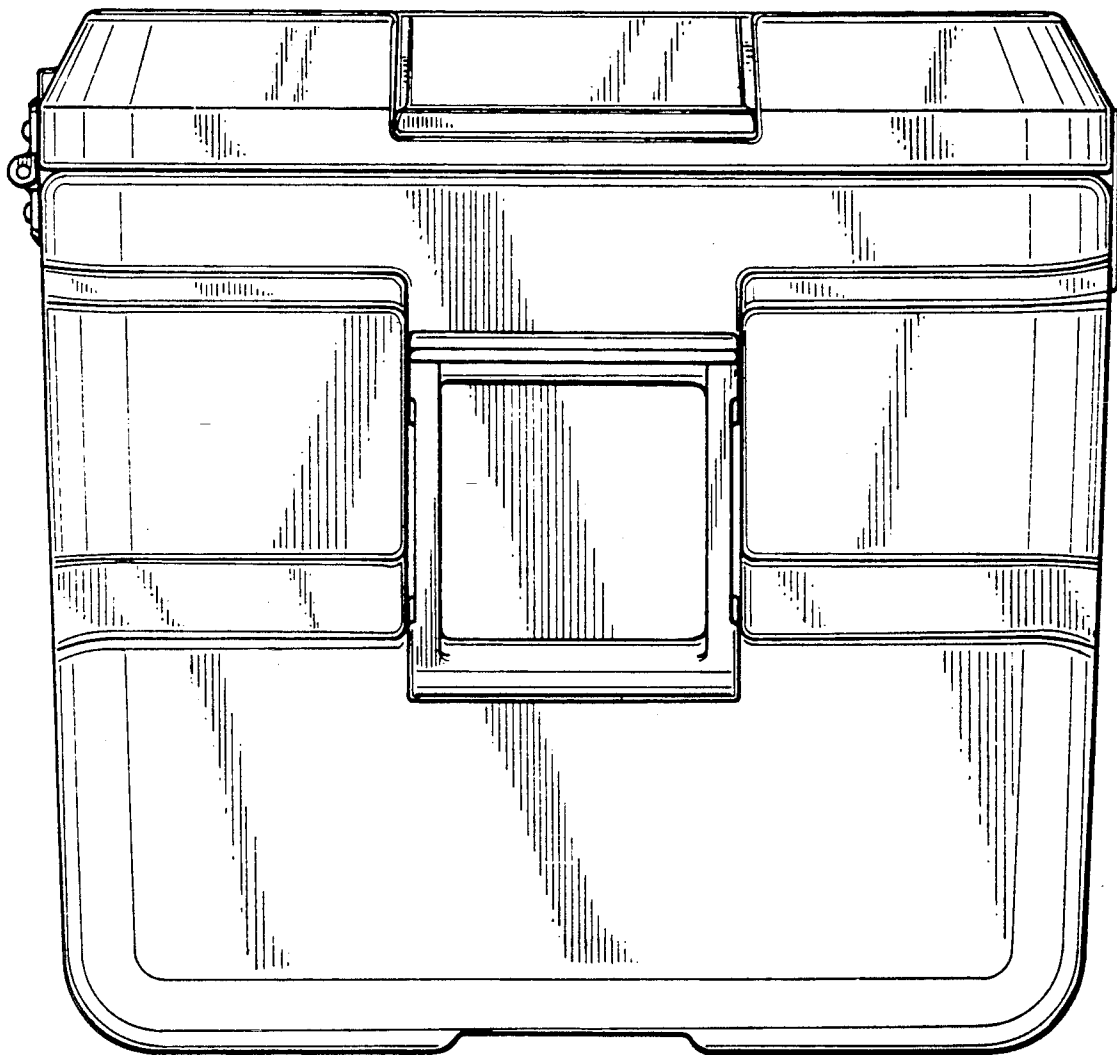


FIG. 6

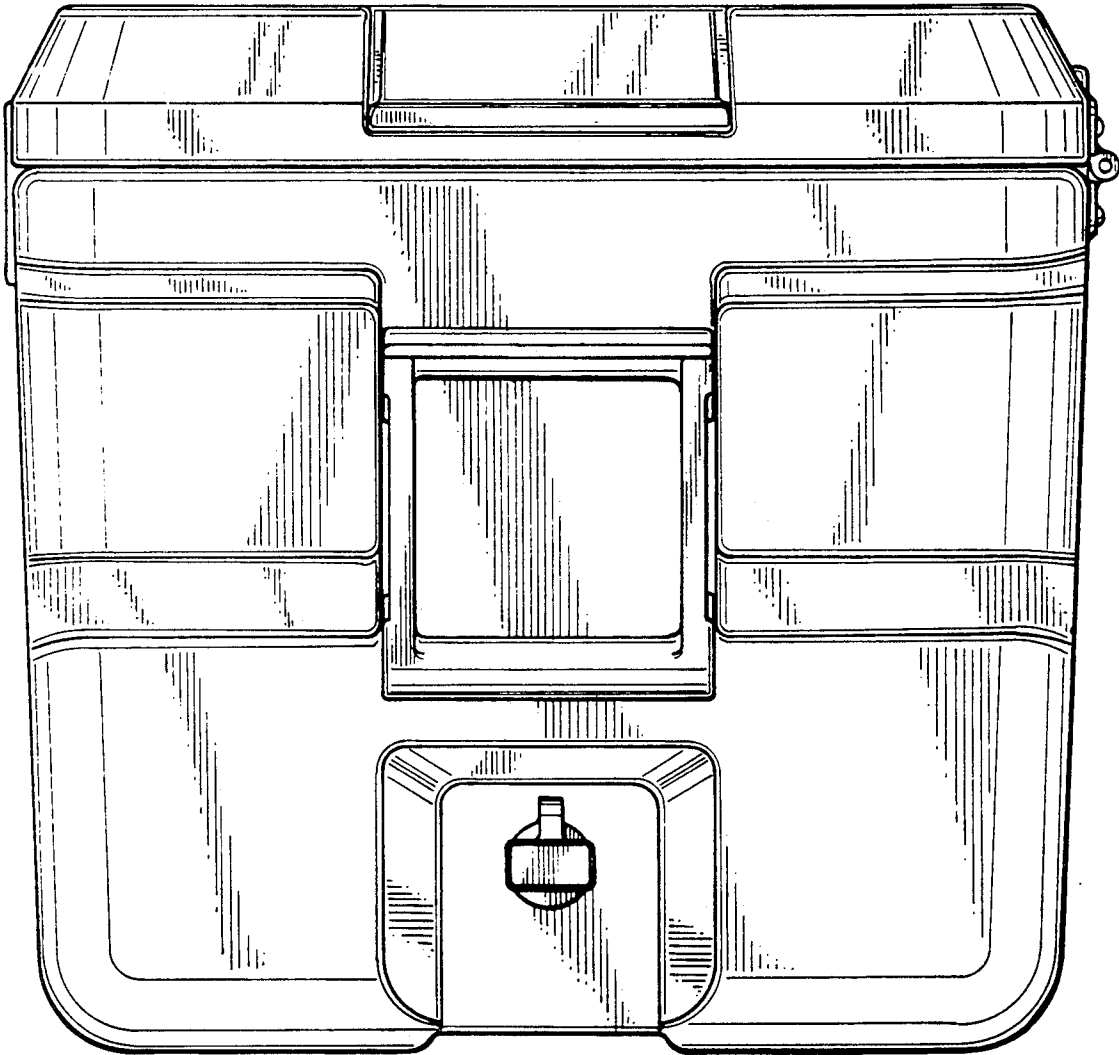


FIG. 7