



US00D896198S

(12) **United States Design Patent** (10) **Patent No.:** **US D896,198 S**
Nalbandian et al. (45) **Date of Patent:** **** Sep. 15, 2020**

(54) **MOBILE DEVICE**

Primary Examiner — Bridget L Eland

(71) Applicant: **RAZER (ASIA-PACIFIC) PTE. LTD.**,
Singapore (SG)

(74) *Attorney, Agent, or Firm* — Polsinelli PC

(72) Inventors: **Saro Nalbandian**, San Francisco, CA
(US); **Scott Croyle**, San Francisco, CA
(US)

(57) **CLAIM**

We claim the ornamental design for a mobile device, as shown and described.

(73) Assignee: **RAZER (ASIA-PACIFIC) PTE. LTD.**,
Singapore (SG)

DESCRIPTION

(**) Term: **15 Years**

(21) Appl. No.: **29/684,710**

(22) Filed: **Mar. 22, 2019**

FIG. 1 is a perspective view of a first embodiment of a mobile device, showing our new design; FIG. 2 is a front elevational view thereof; FIG. 3 is a rear elevational view thereof; FIG. 4 is a right side elevational view thereof; FIG. 5 is a left side elevational view thereof; FIG. 6 is a top plan view thereof; and FIG. 7 is a bottom plan view thereof. FIG. 8 is a perspective view of a second embodiment of a mobile device, showing our new design; FIG. 9 is a front elevational view thereof; FIG. 10 is a rear elevational view thereof; FIG. 11 is a right side elevational view thereof; FIG. 12 is a left side elevational view thereof; FIG. 13 is a top plan view thereof; and FIG. 14 is a bottom plan view thereof. FIG. 15 is a perspective view of a third embodiment of a mobile device, showing our new design; FIG. 16 is a front elevational view thereof; FIG. 17 is a rear elevational view thereof; FIG. 18 is a right side elevational view thereof; FIG. 19 is a left side elevational view thereof; FIG. 20 is a top plan view thereof; and FIG. 21 is a bottom plan view thereof. FIG. 22 is a perspective view of a fourth embodiment of a mobile device, showing our new design; FIG. 23 is a front elevational view thereof; FIG. 24 is a rear elevational view thereof; FIG. 25 is a right side elevational view thereof; FIG. 26 is a left side elevational view thereof; FIG. 27 is a top plan view thereof; and FIG. 28 is a bottom plan view thereof. FIG. 29 is a perspective view of a fifth embodiment of a mobile device, showing our new design; and

Related U.S. Application Data

(62) Division of application No. 29/623,587, filed on Oct. 25, 2017, now Pat. No. Des. 851,054.

(51) **LOC (12) Cl.** **14-03**

(52) **U.S. Cl.**
USPC **D14/138 G**

(58) **Field of Classification Search**
USPC D14/138 G, 138 AD, 248, 341, 371, 374,
D14/138 R, 138 AA, 138 AB, 138 AC,
D14/138 C, 247

(Continued)

(56) **References Cited**

U.S. PATENT DOCUMENTS

D502,162 S 2/2005 Kim et al.
D541,785 S 5/2007 Hwang et al.

(Continued)

OTHER PUBLICATIONS

Razer Phone, announced Nov. 2017, [online], [retrieved on Apr. 25, 2020]. Retrieved from Internet ,<URL: <http://www.gsmarena.com>>.*

(Continued)

(Continued)

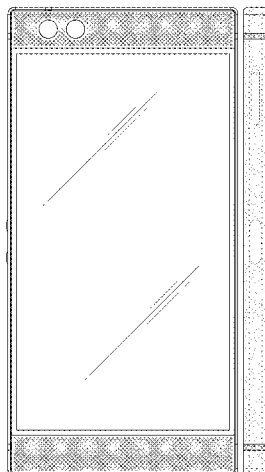


FIG. 30 is a front elevational view thereof;
 FIG. 31 is a rear elevational view thereof;
 FIG. 32 is a right side elevational view thereof;
 FIG. 33 is a left side elevational view thereof;
 FIG. 34 is a top plan view thereof; and
 FIG. 35 is a bottom plan view thereof.
 FIG. 36 is a perspective view of a sixth embodiment of a mobile device, showing our new design;
 FIG. 37 is a front elevational view thereof;
 FIG. 38 is a rear elevational view thereof;
 FIG. 39 is a right side elevational view thereof;
 FIG. 40 is a left side elevational view thereof;
 FIG. 41 is a top plan view thereof; and,
 FIG. 42 is a bottom plan view thereof.
 Broken lines are for illustrating portions of the mobile device which form no part of the claimed design.
 The contrast in stippling type between the light and dark stippling represents a contrast in appearance as shown.
 The logo present in the embodiments and forming part of the disclosure is a registered trademark of RAZER (ASIA-PACIFIC) PTE. LTD.

1 Claim, 42 Drawing Sheets

(58) **Field of Classification Search**

CPC H04M 1/0202; H04M 1/0235; H04M 1/0237; H04M 1/0239; H04M 1/0266; H04M 1/0268; H04M 1/027; H04M 1/0295; H04M 1/02; H04M 1/0279; H04M 1/0283

See application file for complete search history.

(56) **References Cited**

U.S. PATENT DOCUMENTS

D546,810 S 7/2007 Kwak
 D578,987 S 10/2008 Lee et al.
 D583,344 S 12/2008 Sohn et al.
 D583,346 S 12/2008 Jung et al.
 D592,168 S 5/2009 Bai et al.
 D592,629 S 5/2009 Bai et al.
 D609,680 S 2/2010 Kim et al.
 D616,852 S 6/2010 Kim et al.
 D622,718 S 8/2010 Andre et al.
 D622,719 S 8/2010 Andre et al.
 D654,464 S 2/2012 Han
 D662,907 S 7/2012 Sim
 D670,262 S 11/2012 Mitchell et al.
 D673,924 S 1/2013 Mitchell et al.
 D683,711 S 6/2013 Hofer et al.
 D695,704 S 12/2013 Kim et al.
 D712,368 S 9/2014 Hibi

D730,859 S 6/2015 Kaneta
 D736,766 S 8/2015 Paschke et al.
 D745,004 S 12/2015 Kim
 D745,483 S 12/2015 Dhondt
 D749,534 S 2/2016 Liu et al.
 D755,148 S 5/2016 Wu et al.
 D760,707 S 7/2016 Walliser et al.
 D762,607 S 8/2016 Yoon et al.
 D768,594 S 10/2016 Szeto
 D770,409 S 11/2016 Jing
 D770,433 S 11/2016 Kangasmaa et al.
 D774,486 S 12/2016 Defazio et al.
 D777,700 S 1/2017 Kwon et al.
 D780,179 S 2/2017 Bae et al.
 D783,564 S 4/2017 Park et al.
 D787,467 S 5/2017 Xu
 D788,729 S 6/2017 Park et al.
 D788,733 S 6/2017 Park et al.
 D789,902 S 6/2017 Park et al.
 D790,496 S 6/2017 Park et al.
 D790,534 S * 6/2017 Paschke D14/341
 D791,732 S 7/2017 Xu et al.
 D801,295 S 10/2017 Park et al.
 D801,947 S 11/2017 Gordon et al.
 D802,550 S * 11/2017 Enquist D14/138 G
 D808,952 S 1/2018 Defazio et al.
 D812,049 S 3/2018 Akana et al.
 D817,297 S 5/2018 Lee
 D820,801 S 6/2018 Yeom
 D822,633 S 7/2018 Yeom
 D823,272 S 7/2018 Croyle
 D827,605 S * 9/2018 Yao D14/138 G
 D827,625 S 9/2018 Berneth
 D829,187 S 9/2018 Zhang
 D838,270 S 1/2019 Cho et al.
 D840,367 S * 2/2019 Jiang D14/138 G
 D841,611 S * 2/2019 Kim D14/138 G
 D851,054 S * 6/2019 Nalbandian D14/138 G
 D861,630 S * 10/2019 Chiang D14/138 G
 2008/0045279 A1 2/2008 Ohki

OTHER PUBLICATIONS

Razer Phone 2, announced Oct. 2018, [online], [retrieved on Apr. 25, 2020]. Retrieved from Internet ,<URL: <http://www.gsmarena.com>>.*
 Applie iPhone 7 Plus, announced Sep. 2016, [online], [retrieved on Jan. 26, 2019]. Retrieved from Internet, <URL: <http://www.gsmarena.com>>.
 Plum Might, announced May 2012, [online], [retrieved on Nov. 28, 2012]. Retrieved from Internet , <URL: [http:// www.gsmarena.com](http://www.gsmarena.com)>.
 HTC One, announced Feb. 2013, [online], [retrieved on Mar. 4, 2013]. Retrieved from Internet,<URL: <http://www.gsmarena.com>>.
 BlackBerry Z10, announced Jan. 2013, [online], [retrieved on Mar. 4, 2013]. Retrieved from Internet,<URL: [http:// www.gsmarena.com](http://www.gsmarena.com)>.

* cited by examiner

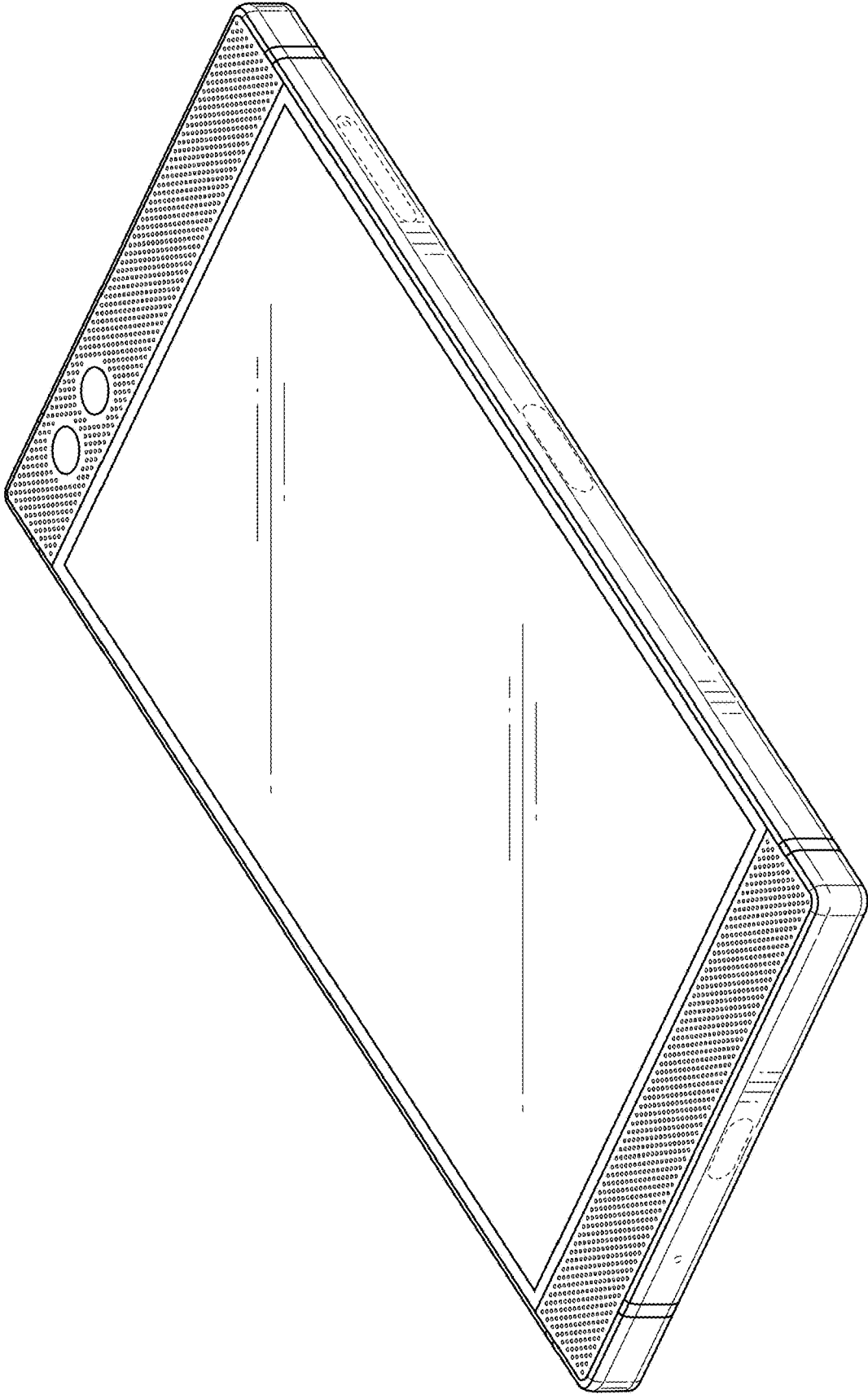


FIG. 1

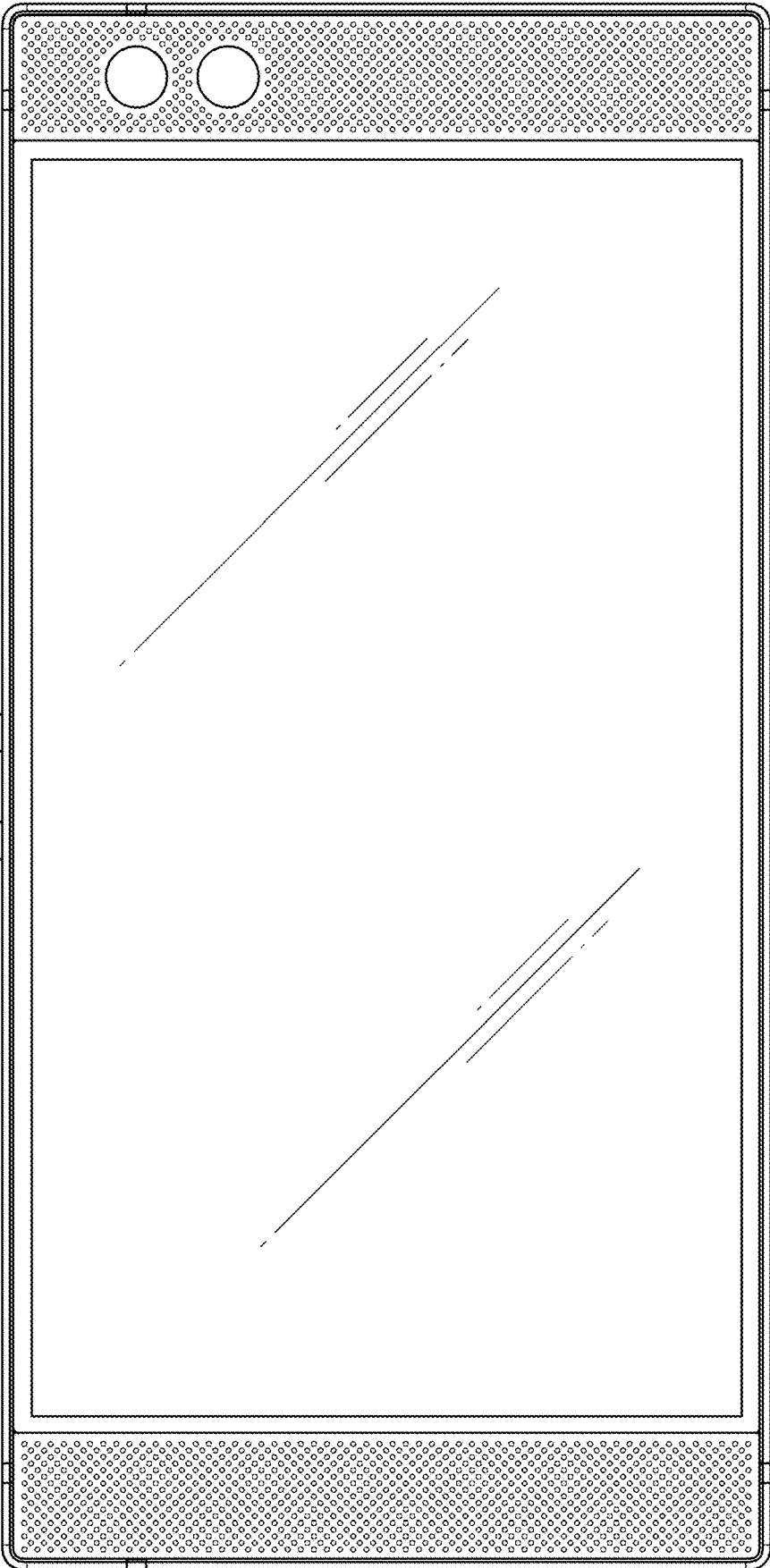


FIG. 2

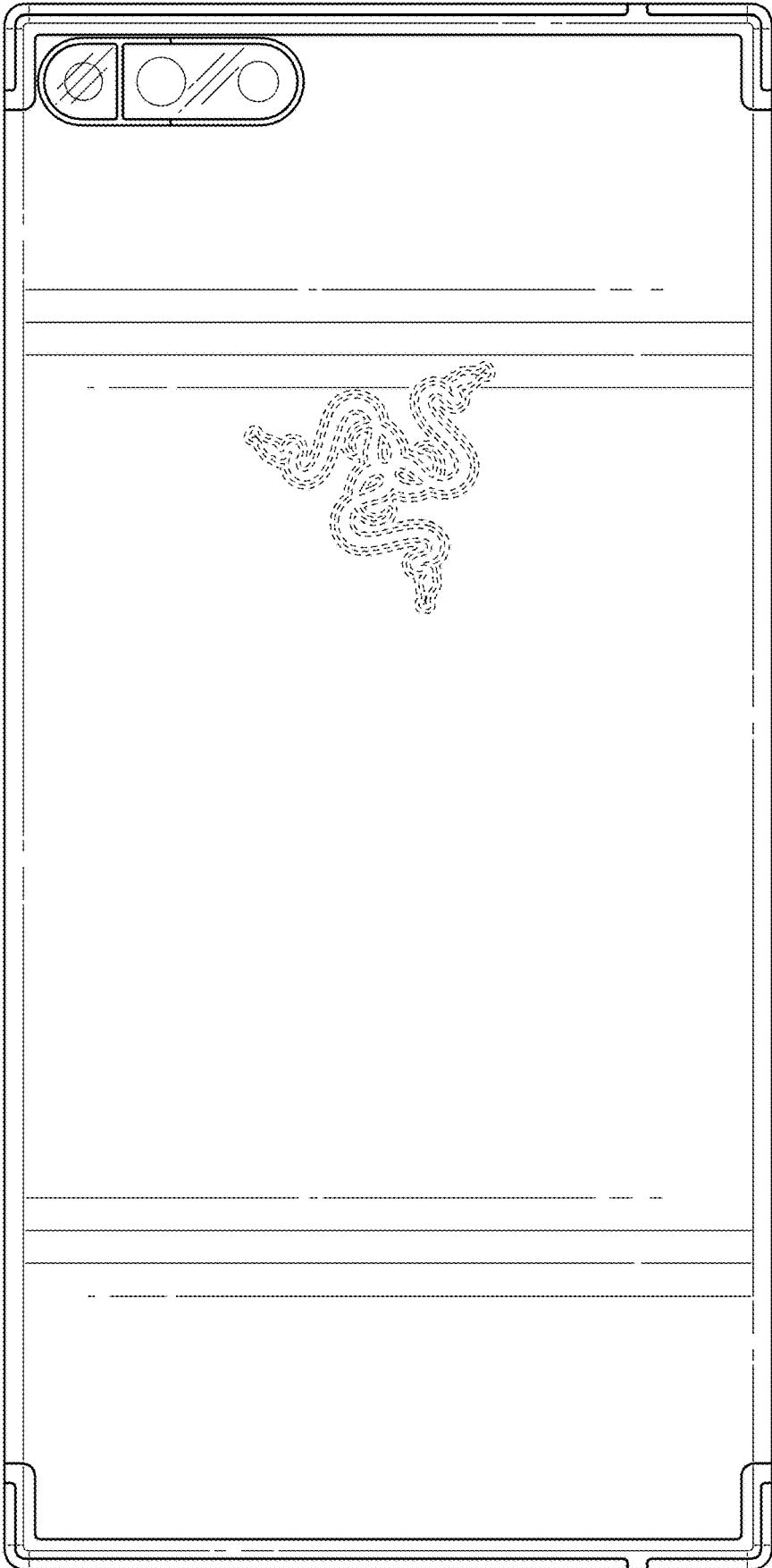


FIG. 3

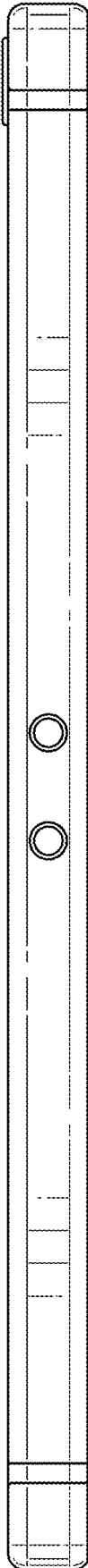


FIG. 4



FIG. 5

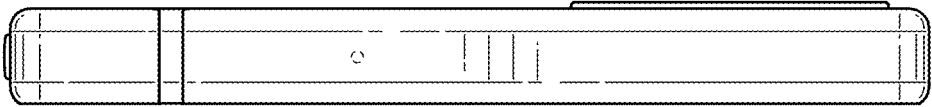


FIG. 6

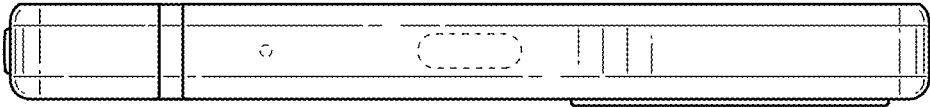


FIG. 7

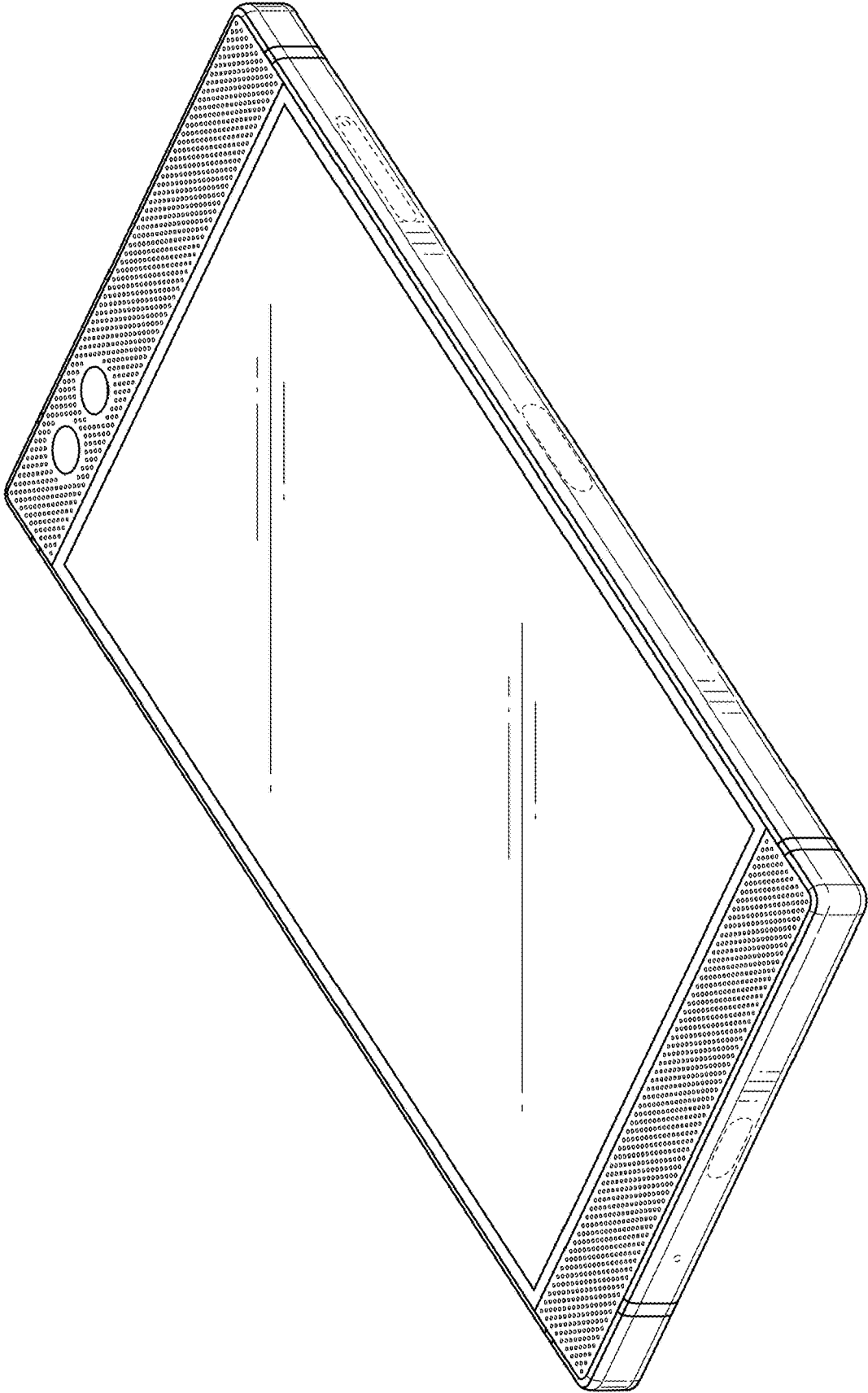


FIG. 8

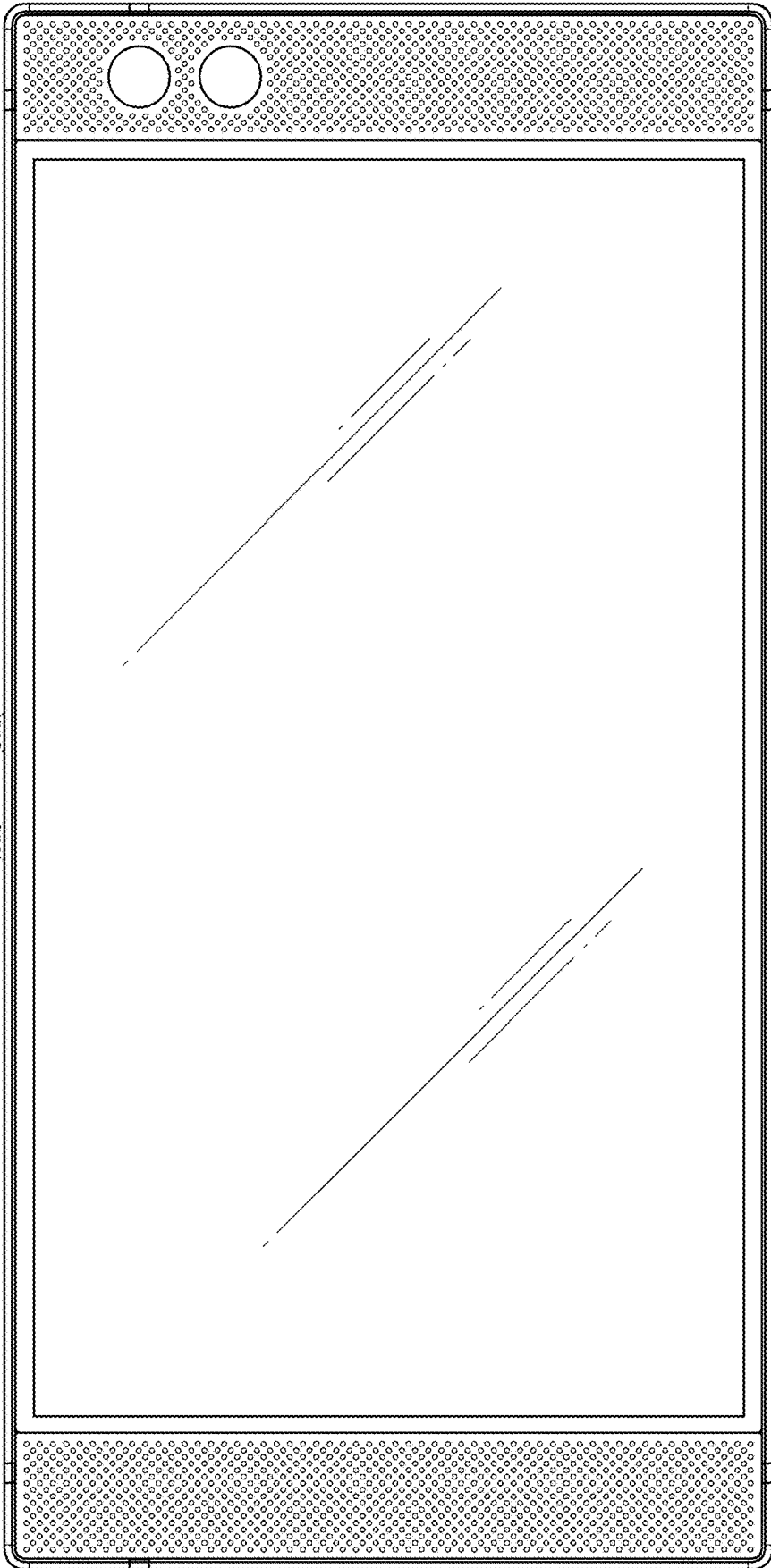


FIG. 9

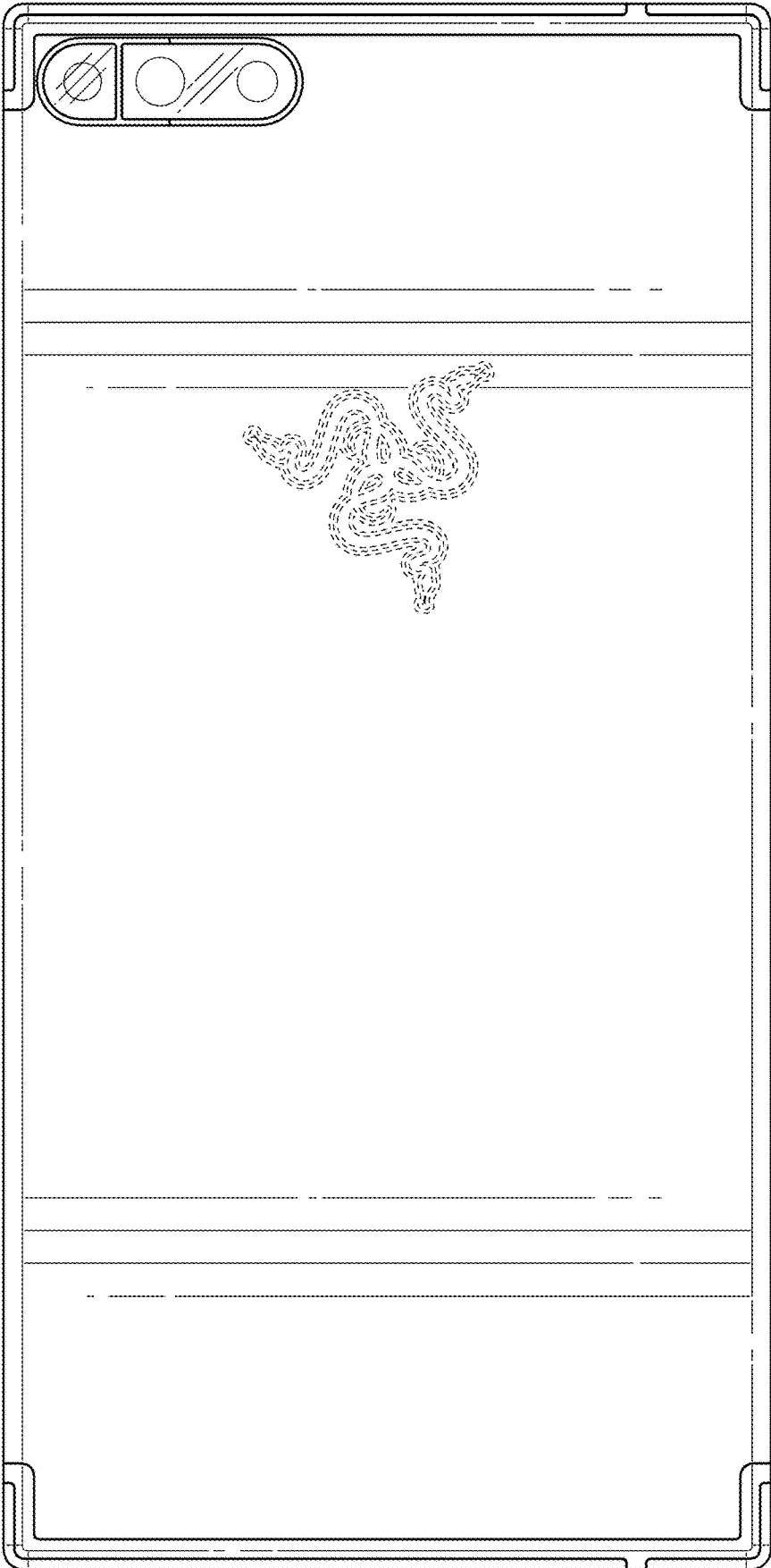


FIG. 10

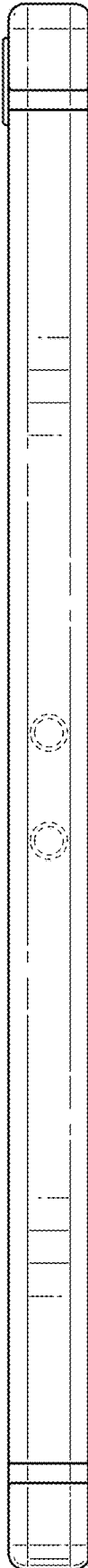


FIG. 11



FIG. 12

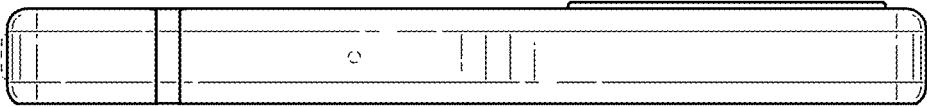


FIG. 13

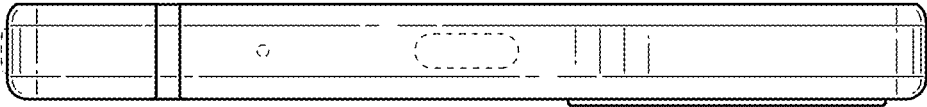


FIG. 14

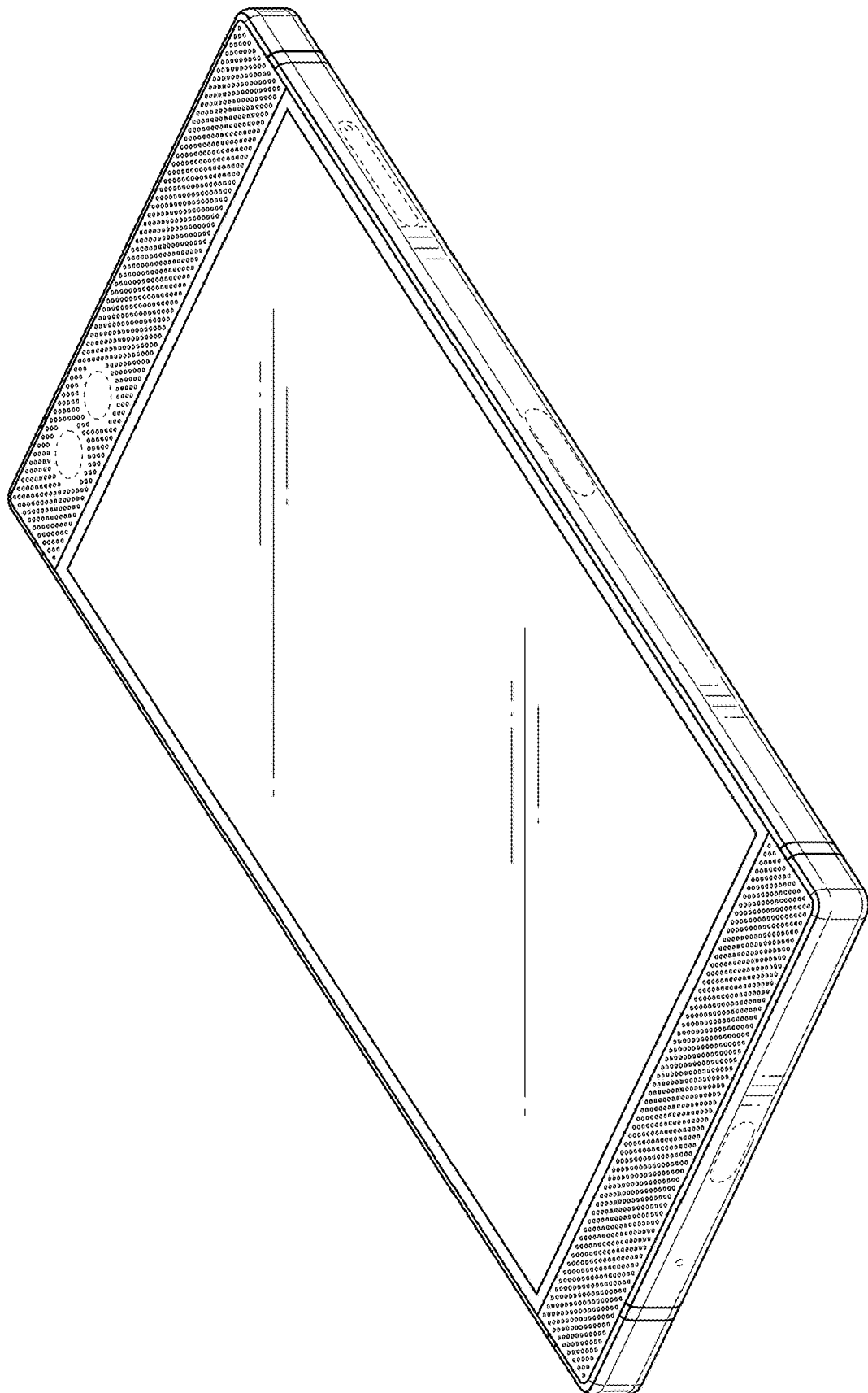


FIG. 15

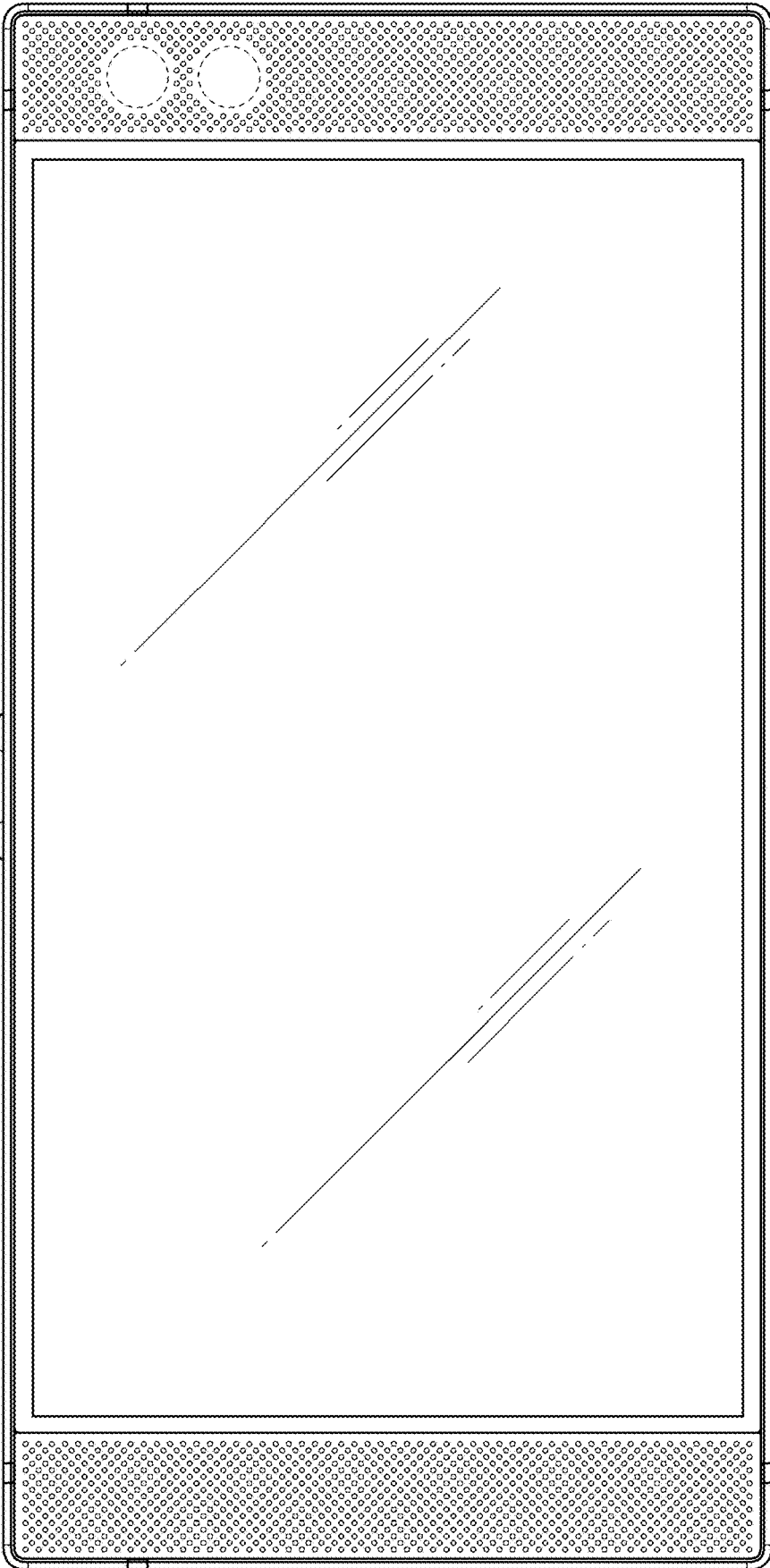


FIG. 16

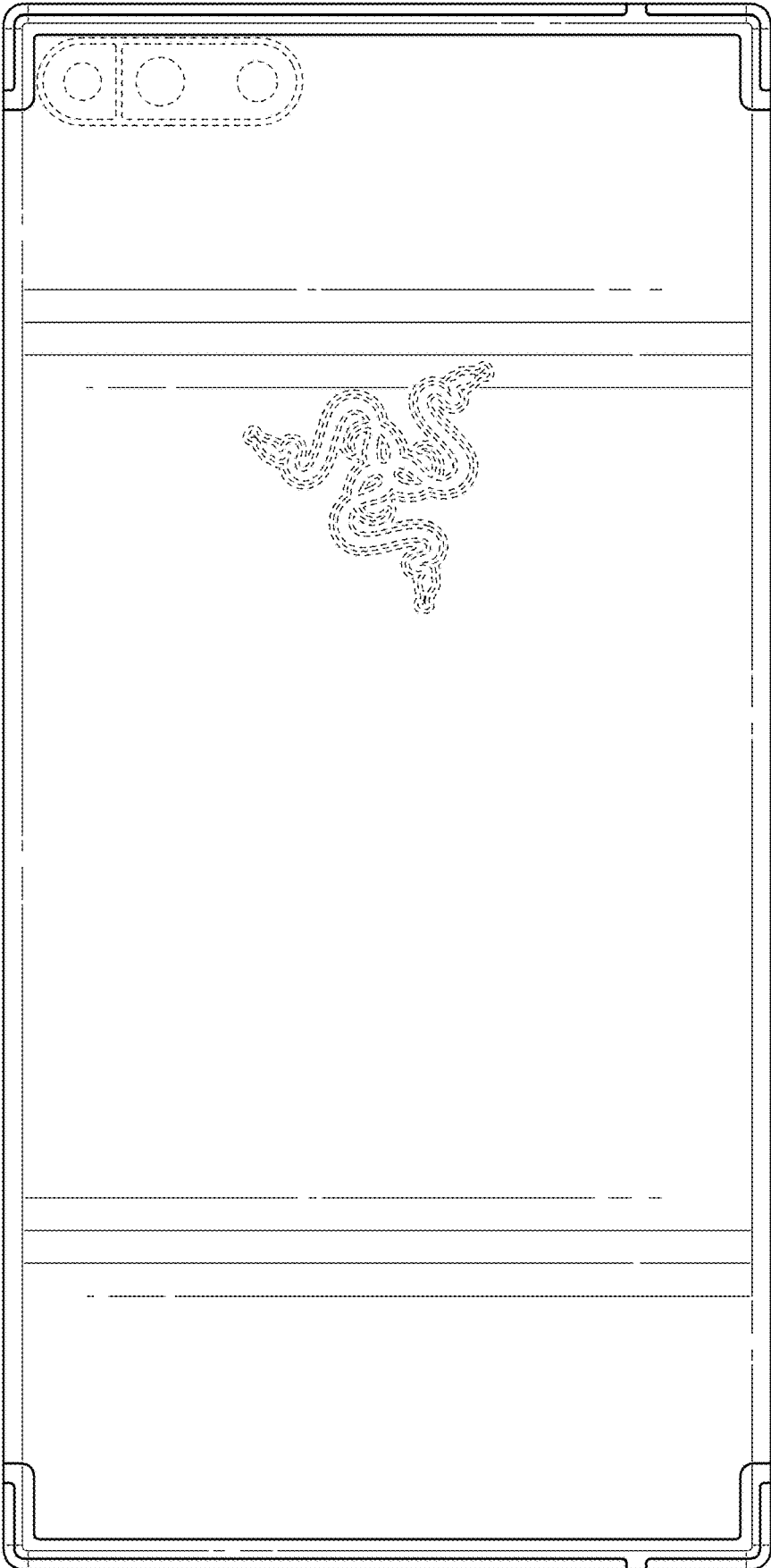


FIG. 17

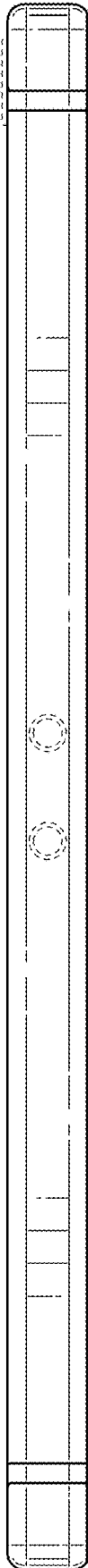


FIG. 18

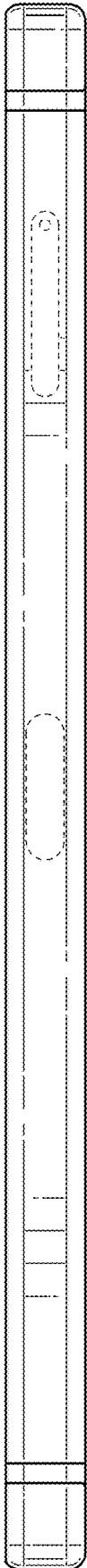


FIG. 19

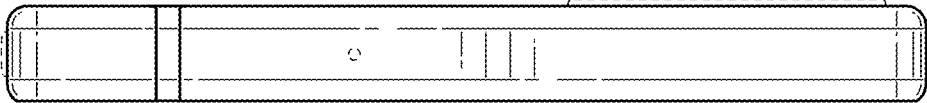


FIG. 20

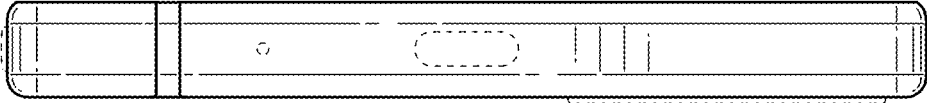


FIG. 21

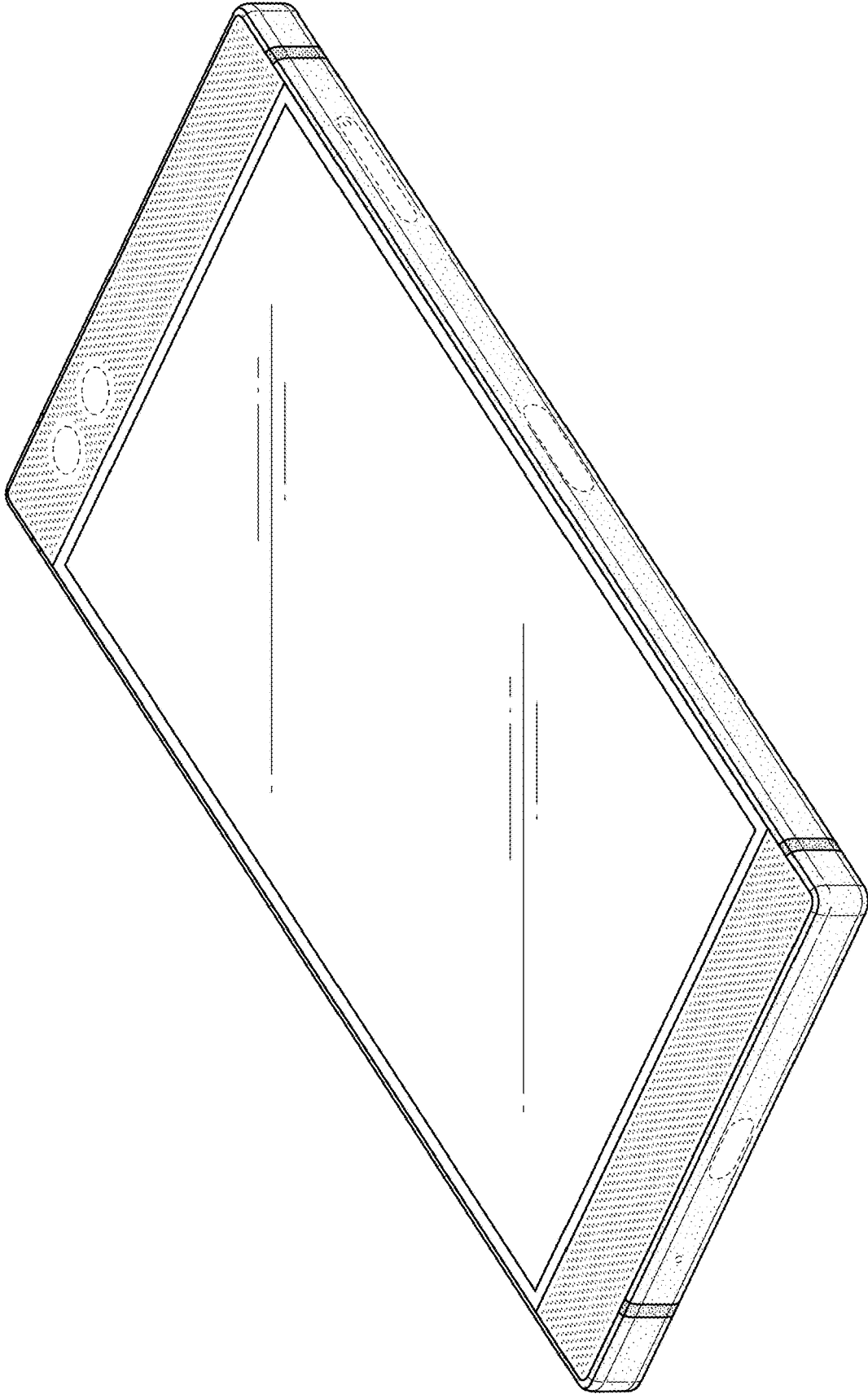


FIG. 22

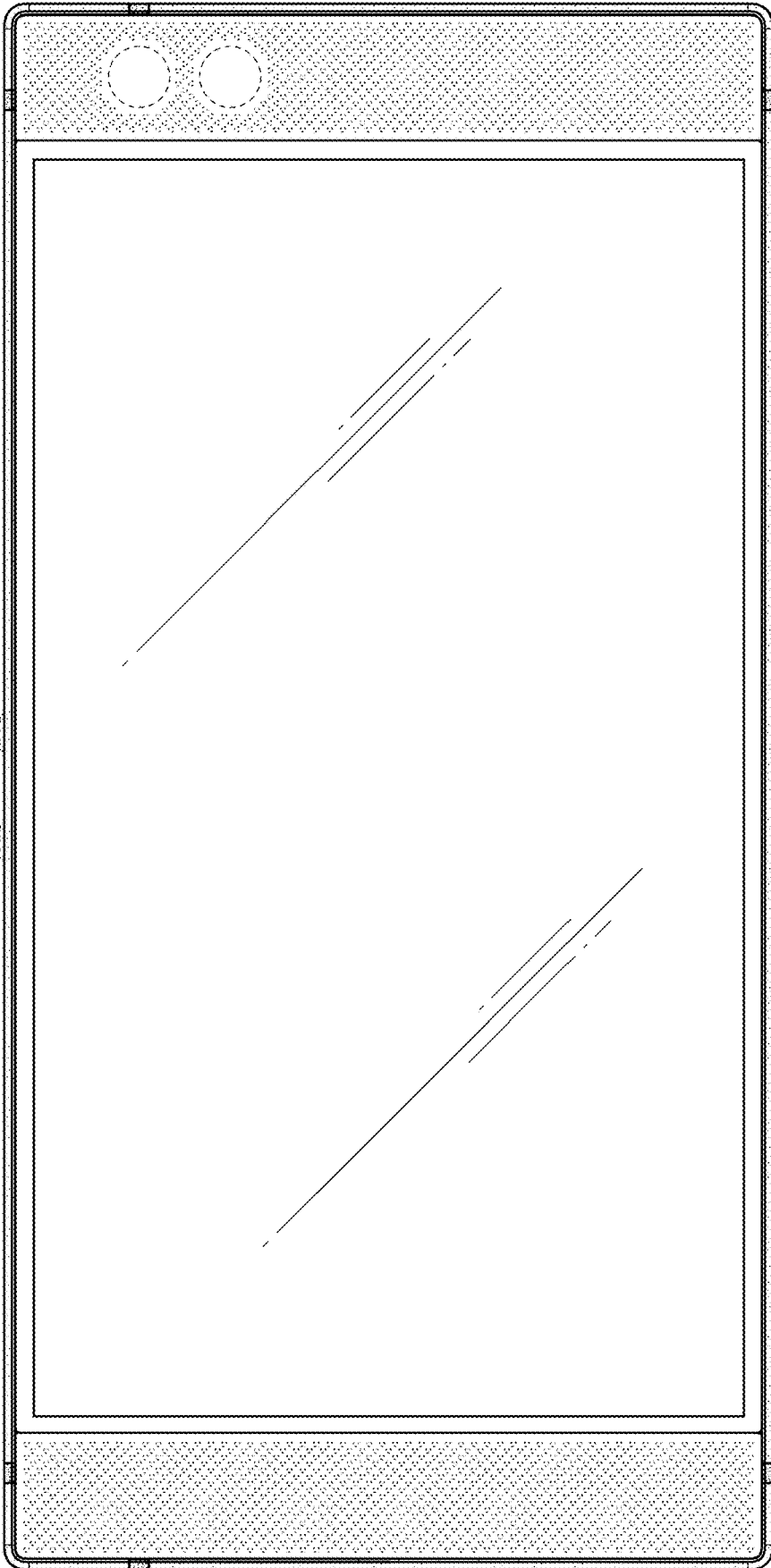


FIG. 23

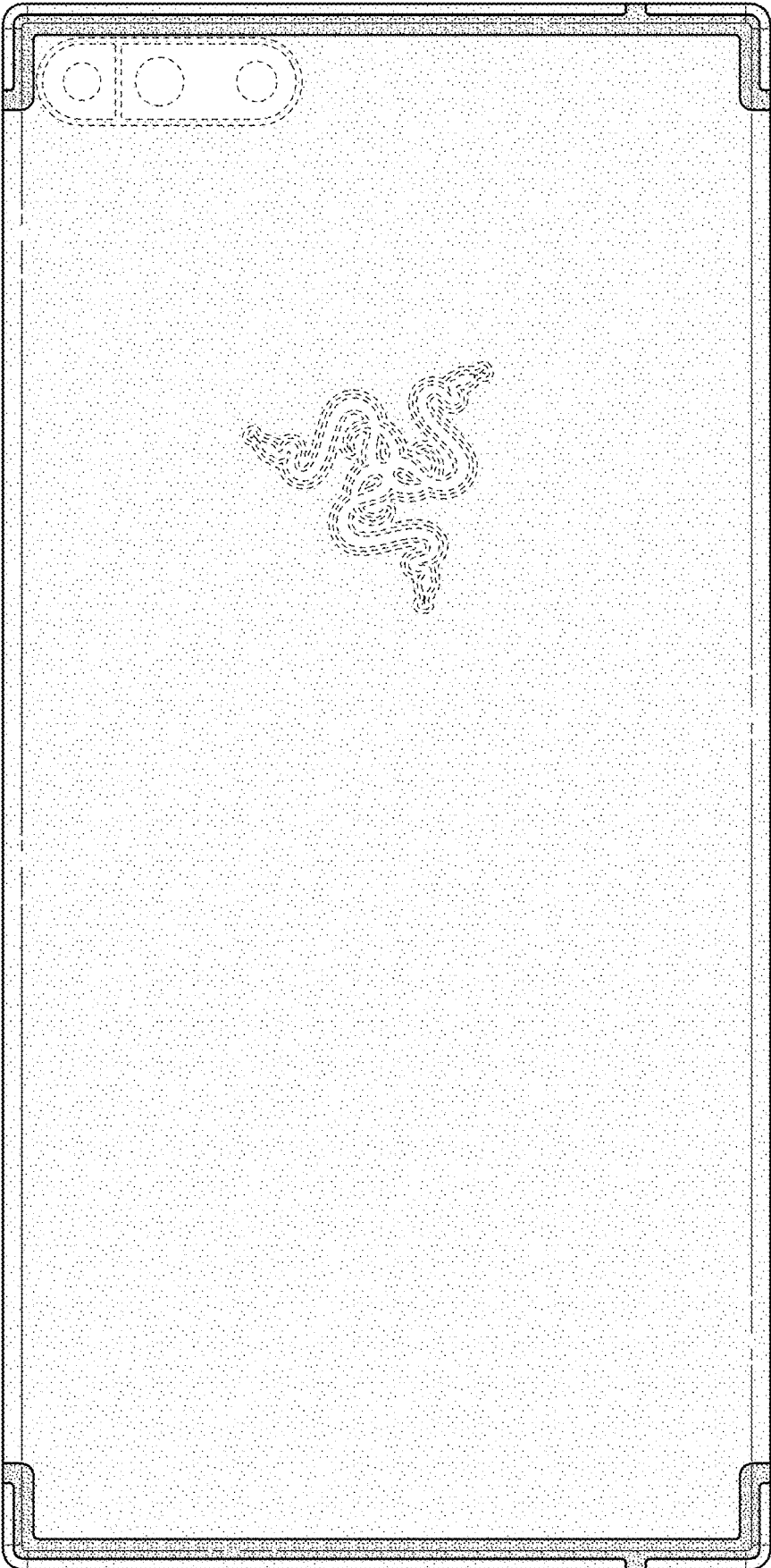


FIG. 24

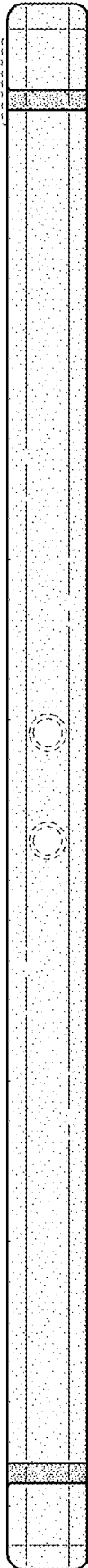


FIG. 25



FIG. 26

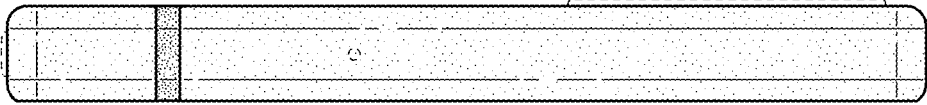


FIG. 27

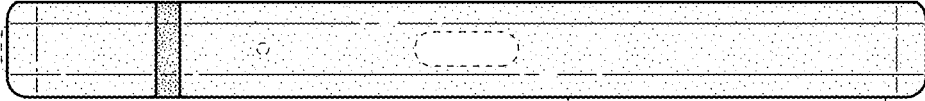


FIG. 28

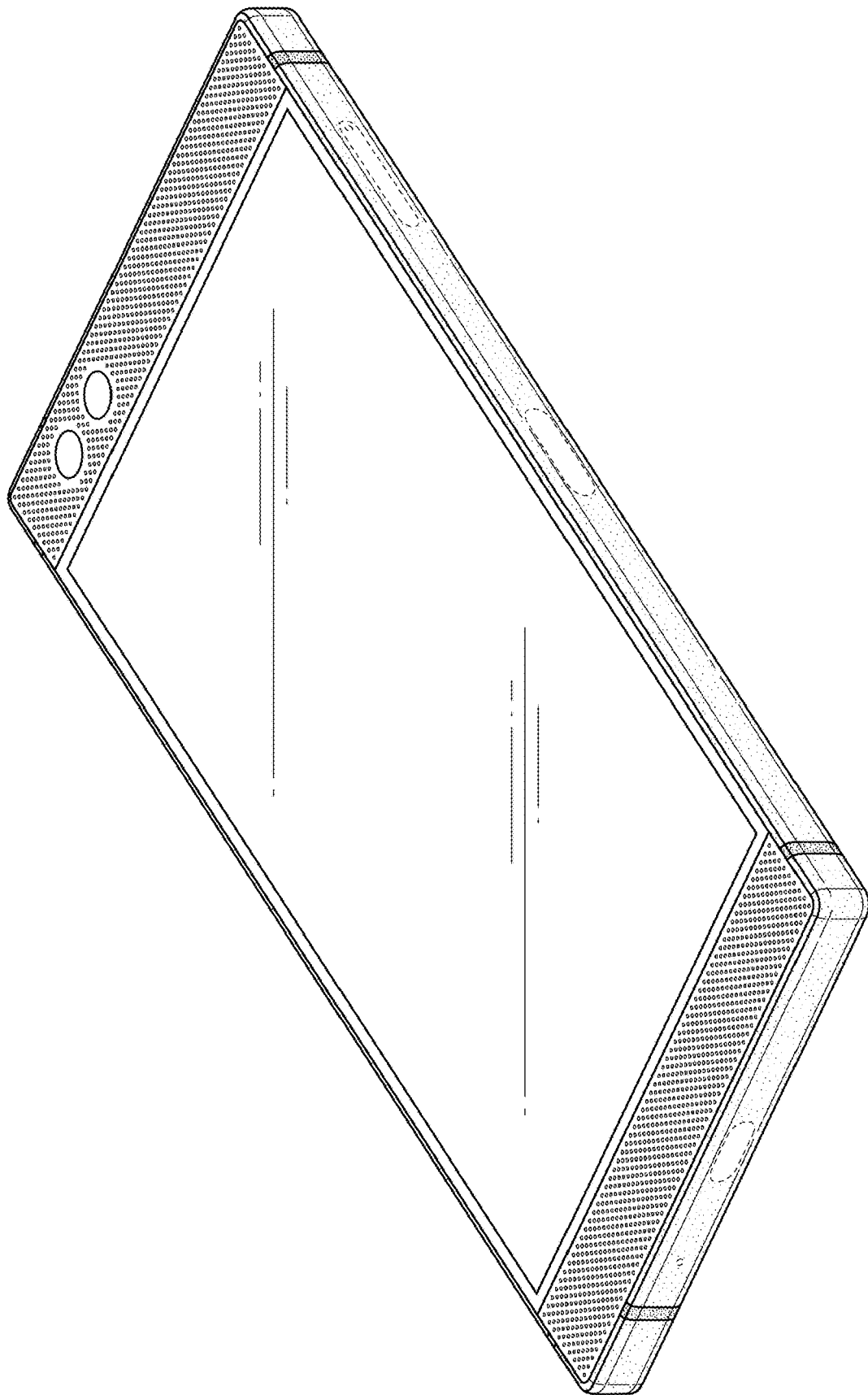


FIG. 29

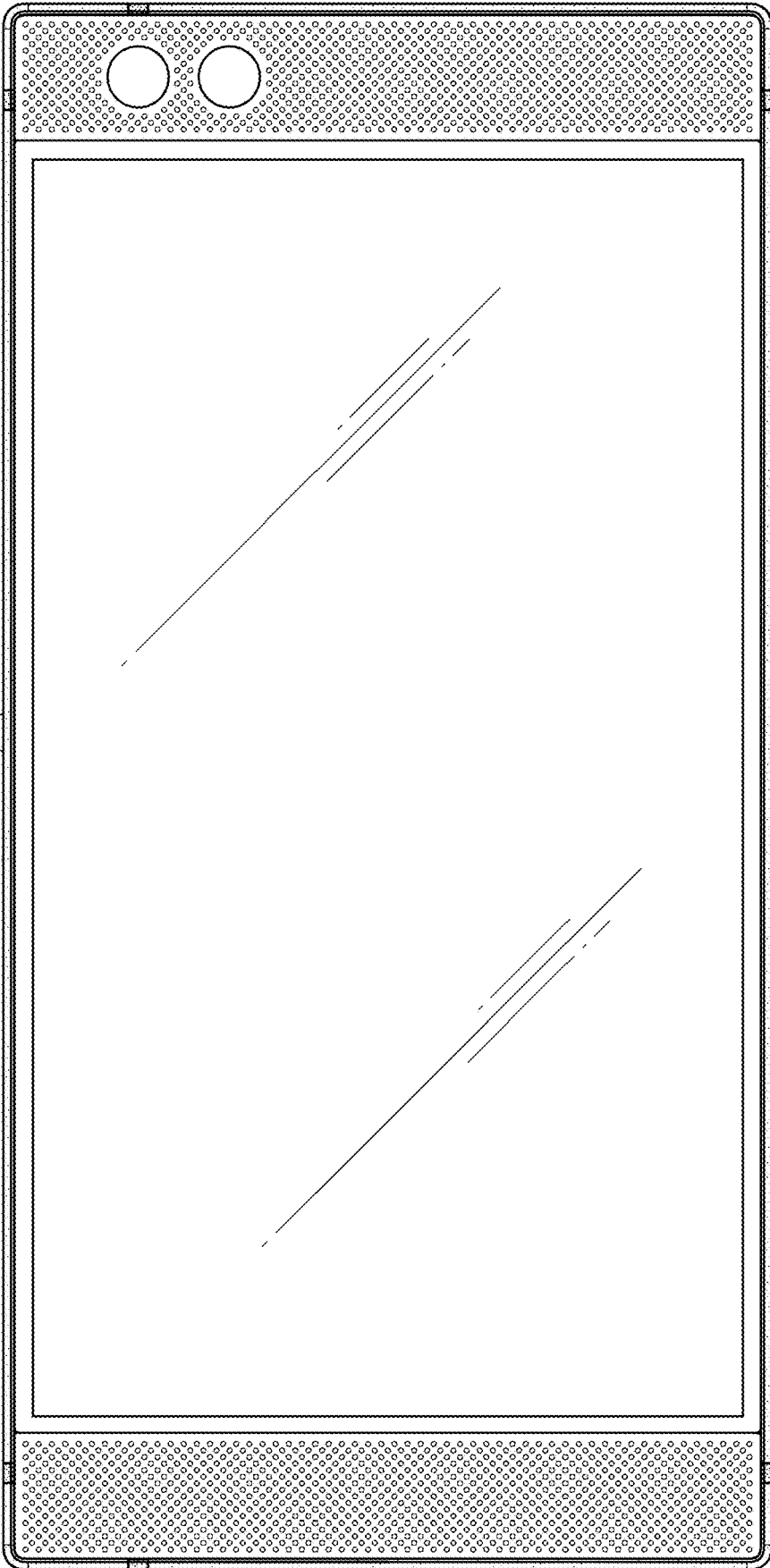


FIG. 30

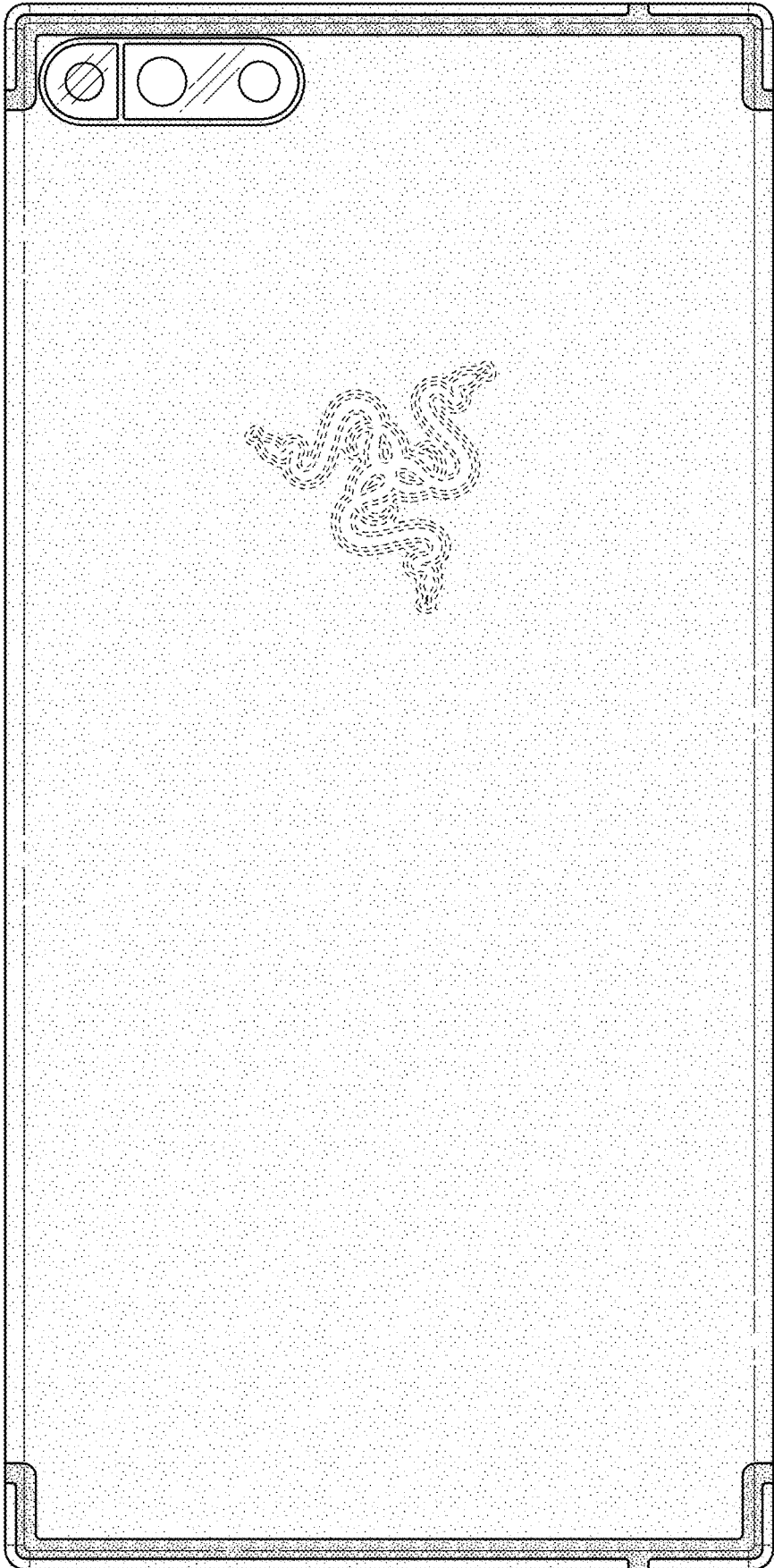


FIG. 31

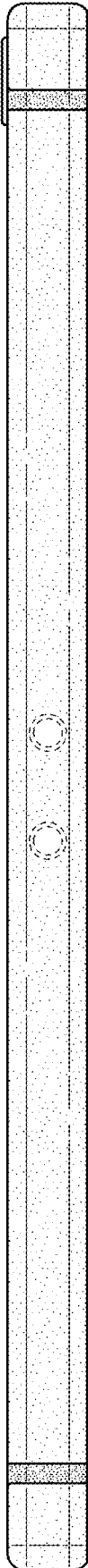


FIG. 32

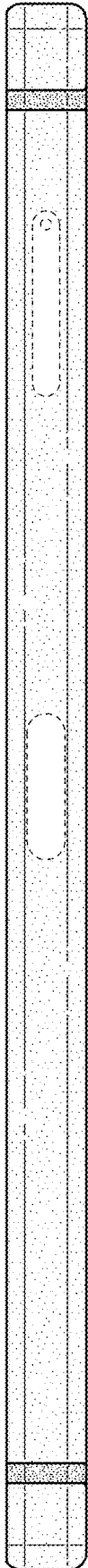


FIG. 33

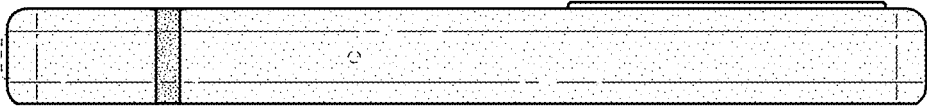


FIG. 34

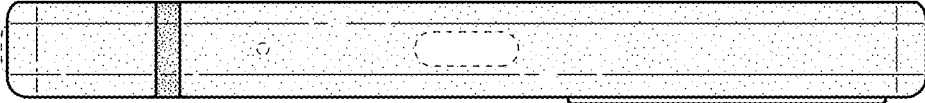


FIG. 35

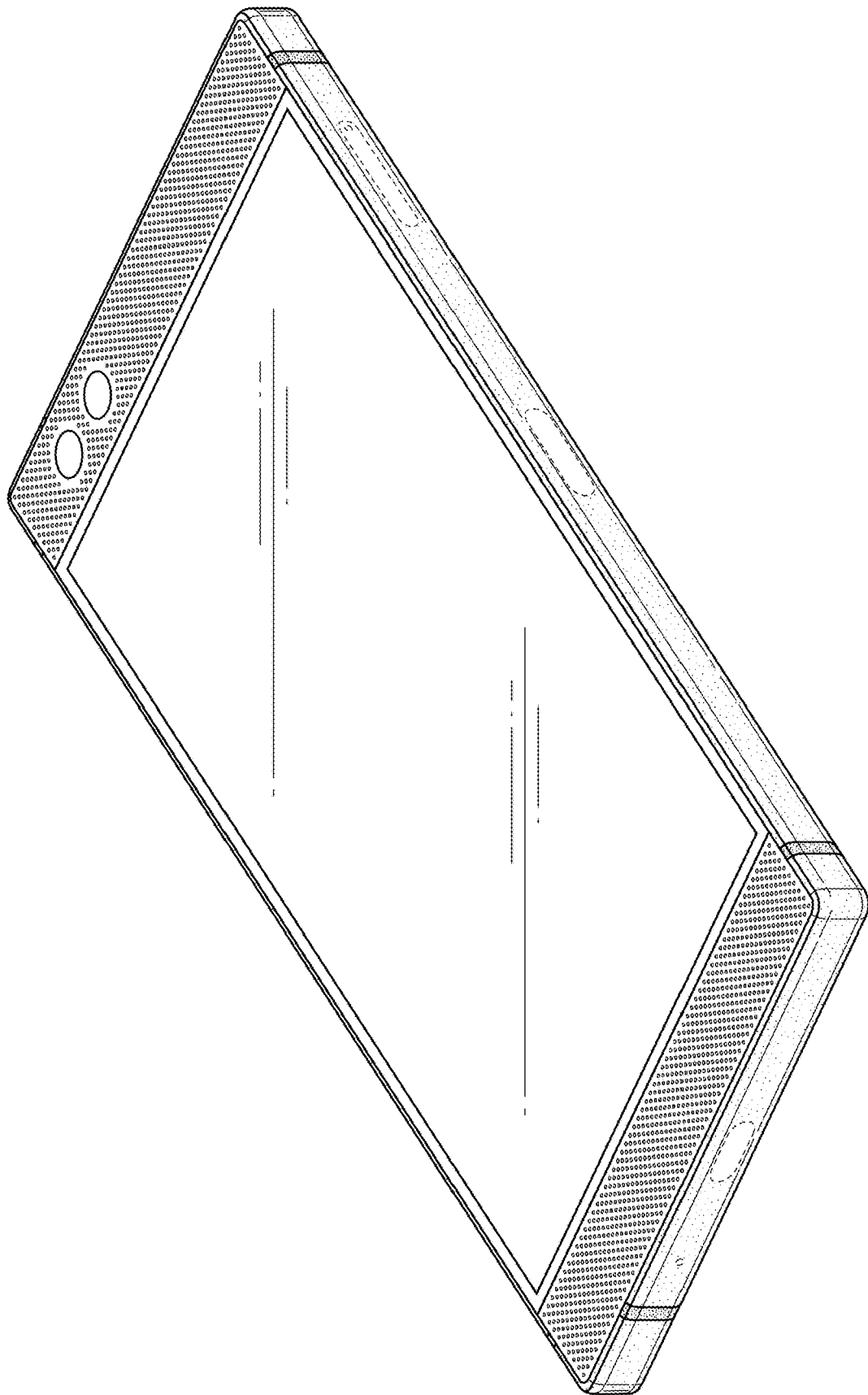


FIG. 36

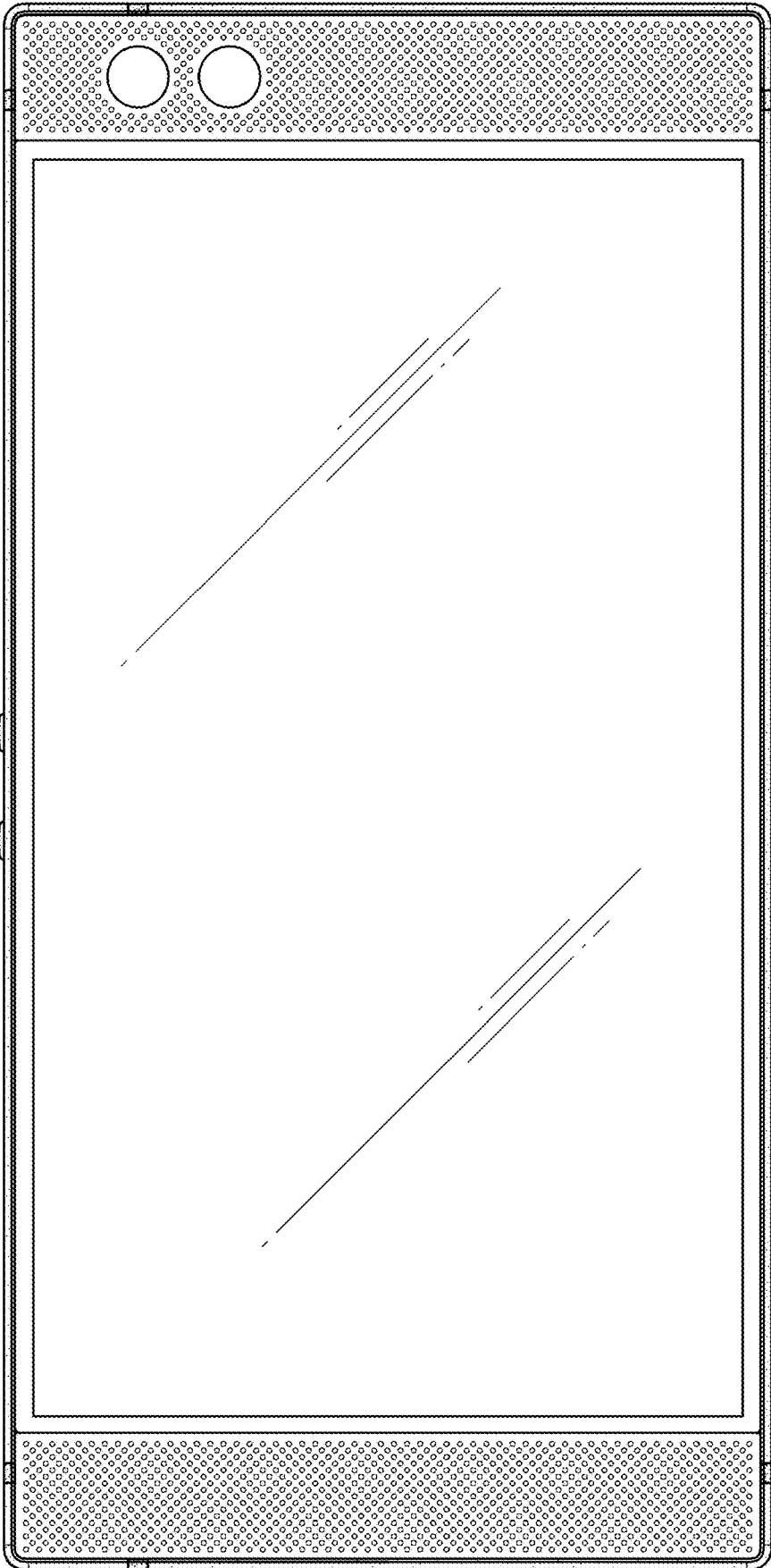


FIG. 37

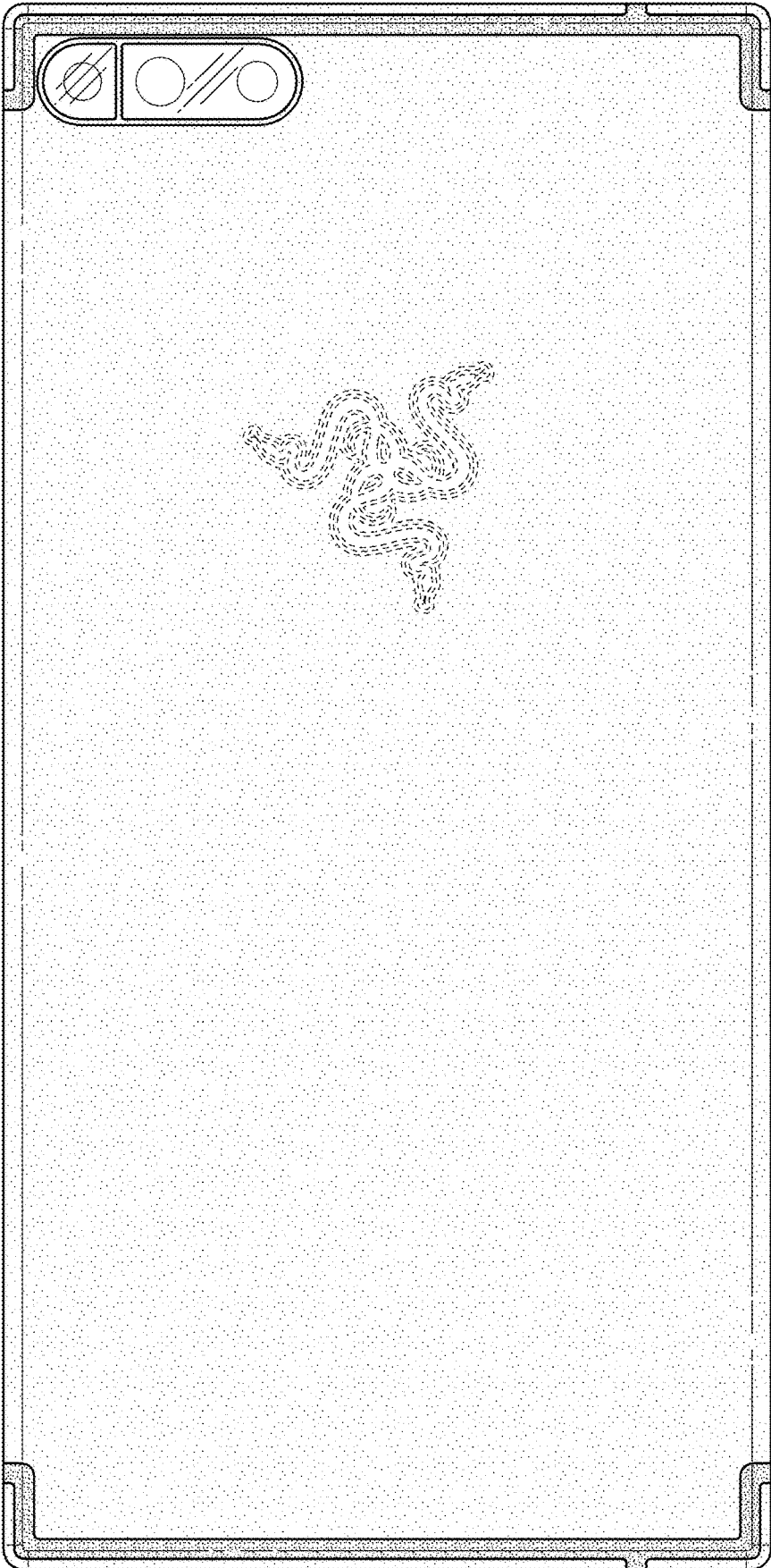


FIG. 38

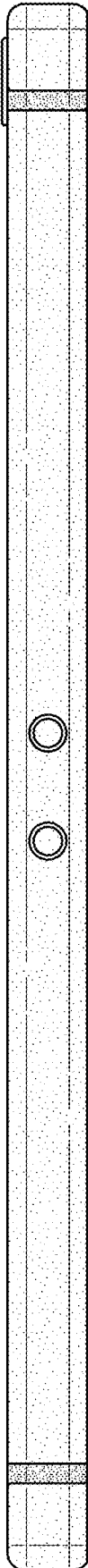


FIG. 39



FIG. 40

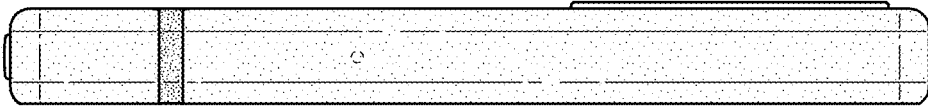


FIG. 41

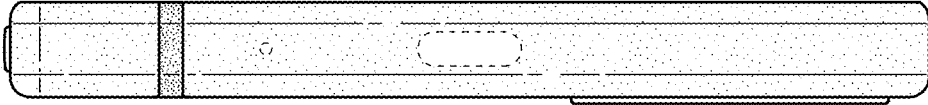


FIG. 42