



US00D432600S

# United States Patent [19]

[11] Patent Number: Des. 432,600

Szabo et al.

[45] Date of Patent: \*\* Oct. 24, 2000

[54] INVERSION CHAIR EXERCISE DEVICE

|           |         |                  |         |
|-----------|---------|------------------|---------|
| 4,739,749 | 4/1988  | Lindley .....    | 128/71  |
| 4,768,834 | 9/1988  | Walsh .....      | 297/466 |
| 4,893,827 | 1/1990  | Gay et al. ....  | 280/250 |
| 5,009,466 | 4/1991  | Perry .....      | 297/323 |
| 5,135,459 | 8/1992  | Perry, Jr. ....  | 482/144 |
| 5,334,123 | 8/1994  | Rutherford ..... | 482/144 |
| 5,575,745 | 11/1996 | Lin .....        | 482/144 |
| 5,718,660 | 2/1998  | Chen .....       | 482/144 |

[75] Inventors: **William J. Szabo**, Sunland; **Dennis L. Colonello**, Granada Hills, both of Calif.

[73] Assignee: **Fitness Quest, Inc.**, Canton, Ohio

[\*\*] Term: **14 Years**

[21] Appl. No.: **29/119,174**

[22] Filed: **Feb. 24, 2000**

[51] LOC (7) Cl. .... **21-02**

[52] U.S. Cl. .... **D21/662; D21/690; D6/367**

[58] Field of Search ..... D21/690, 662, D21/676; D24/183; D6/367; 482/142, 144; 297/325, 326, 327

### [56] References Cited

#### U.S. PATENT DOCUMENTS

|            |         |                       |         |
|------------|---------|-----------------------|---------|
| Re. 31,092 | 11/1982 | Sieber .              |         |
| 47,342     | 4/1865  | Sayre .               |         |
| D. 397,259 | 8/1998  | Chantani et al. ....  | D6/367  |
| 1,327,475  | 1/1920  | Howell .              |         |
| 1,486,813  | 3/1924  | Tallman .             |         |
| 3,463,145  | 8/1969  | Whitaker .....        | 128/24  |
| 3,635,526  | 1/1972  | Posey .....           | 297/390 |
| 3,711,152  | 1/1973  | Sirpak et al. ....    | 297/282 |
| 4,142,520  | 3/1979  | Herbold .....         | 128/74  |
| 4,214,790  | 7/1980  | Sieber .....          | 297/326 |
| 4,275,714  | 6/1981  | Lewis .....           | 128/74  |
| 4,534,554  | 8/1985  | Miller .....          | 482/144 |
| 4,566,693  | 1/1986  | Seidentop et al. .... | 482/144 |

Primary Examiner—Philip S. Hyder  
Attorney, Agent, or Firm—Sand & Sebolt

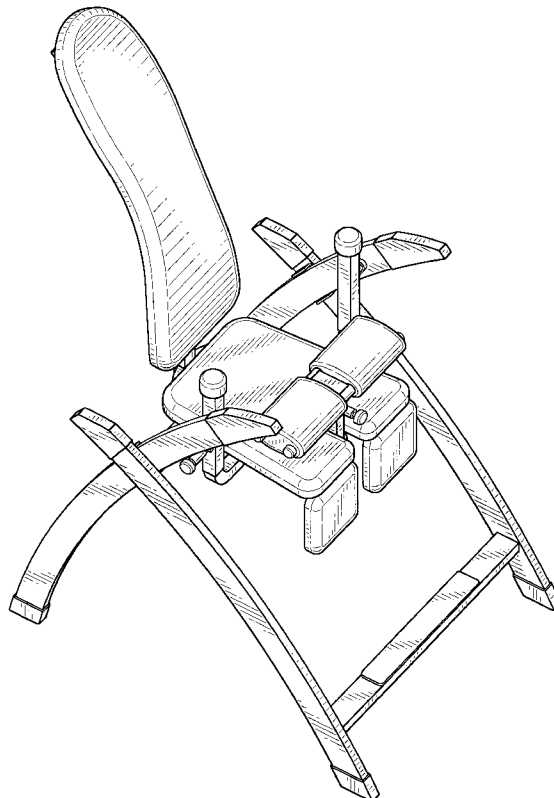
### [57] CLAIM

The ornamental design for an inversion chair exercise device, as shown and described.

### DESCRIPTION

FIG. 1 is a perspective view of the inversion chair exercise device of the present invention;  
 FIG. 2 front elevational view of inversion chair exercise device of the present invention;  
 FIG. 3 is a left-side elevational view of the inversion chair exercise device of the present invention;  
 FIG. 4 is a right-side elevational view of the inversion chair exercise device of the present invention;  
 FIG. 5 is a top plan view of the inversion chair exercise device of the present invention;  
 FIG. 6 is a bottom plan view of the inversion chair exercise device of the present invention; and,  
 FIG. 7 is a rear elevational view of the inversion chair exercise device of the present invention.

1 Claim, 7 Drawing Sheets



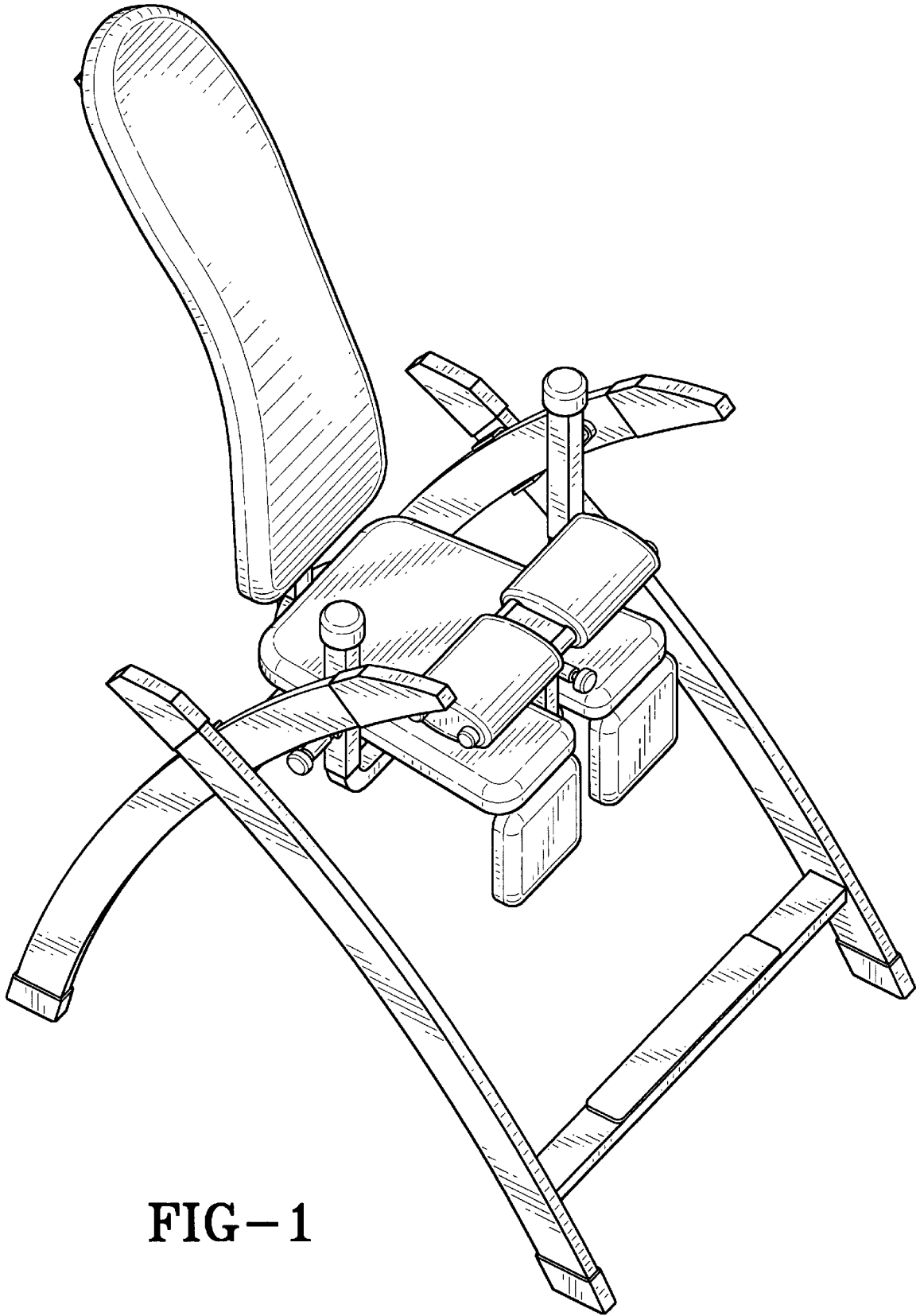


FIG-1

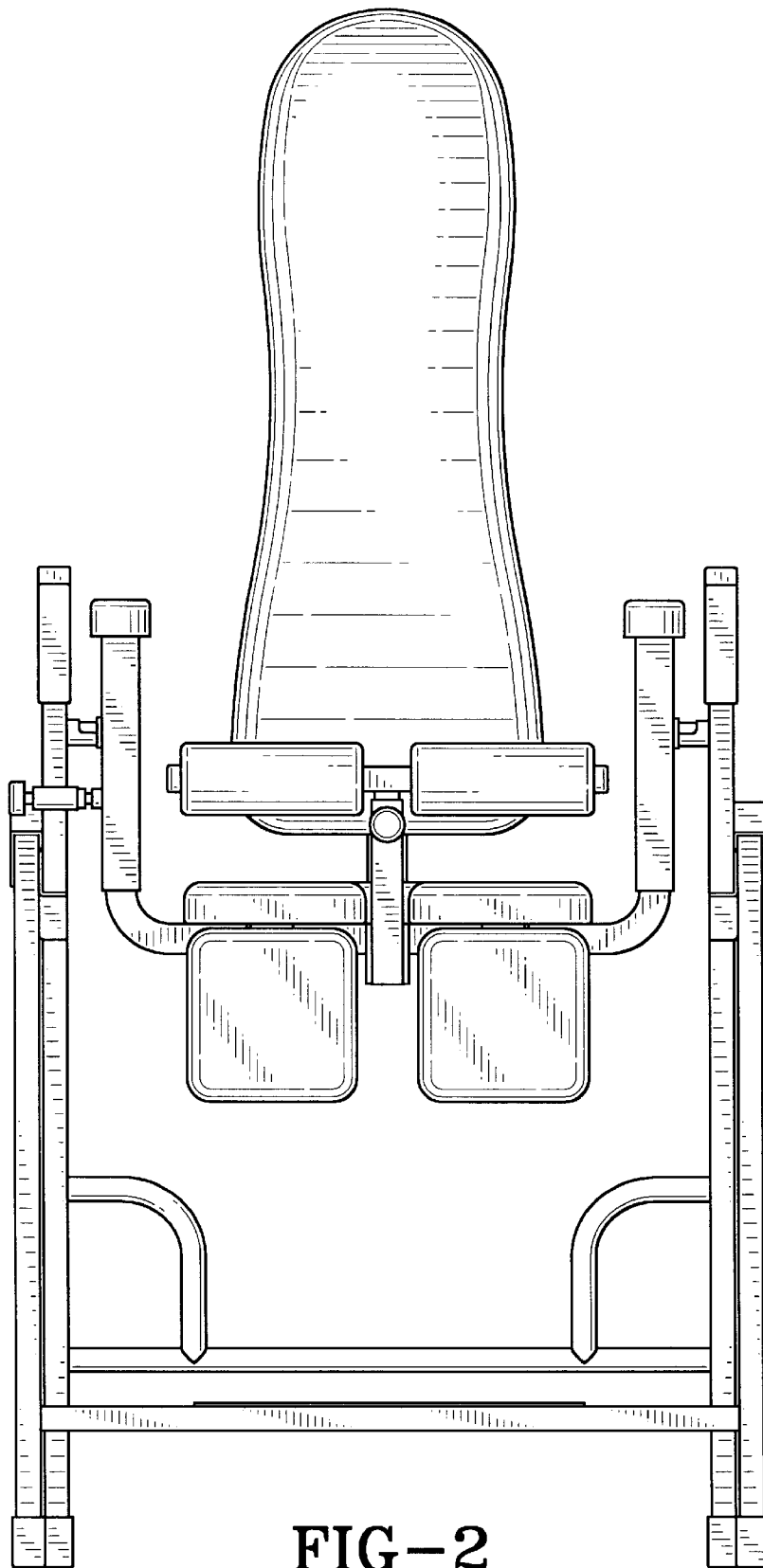


FIG-2

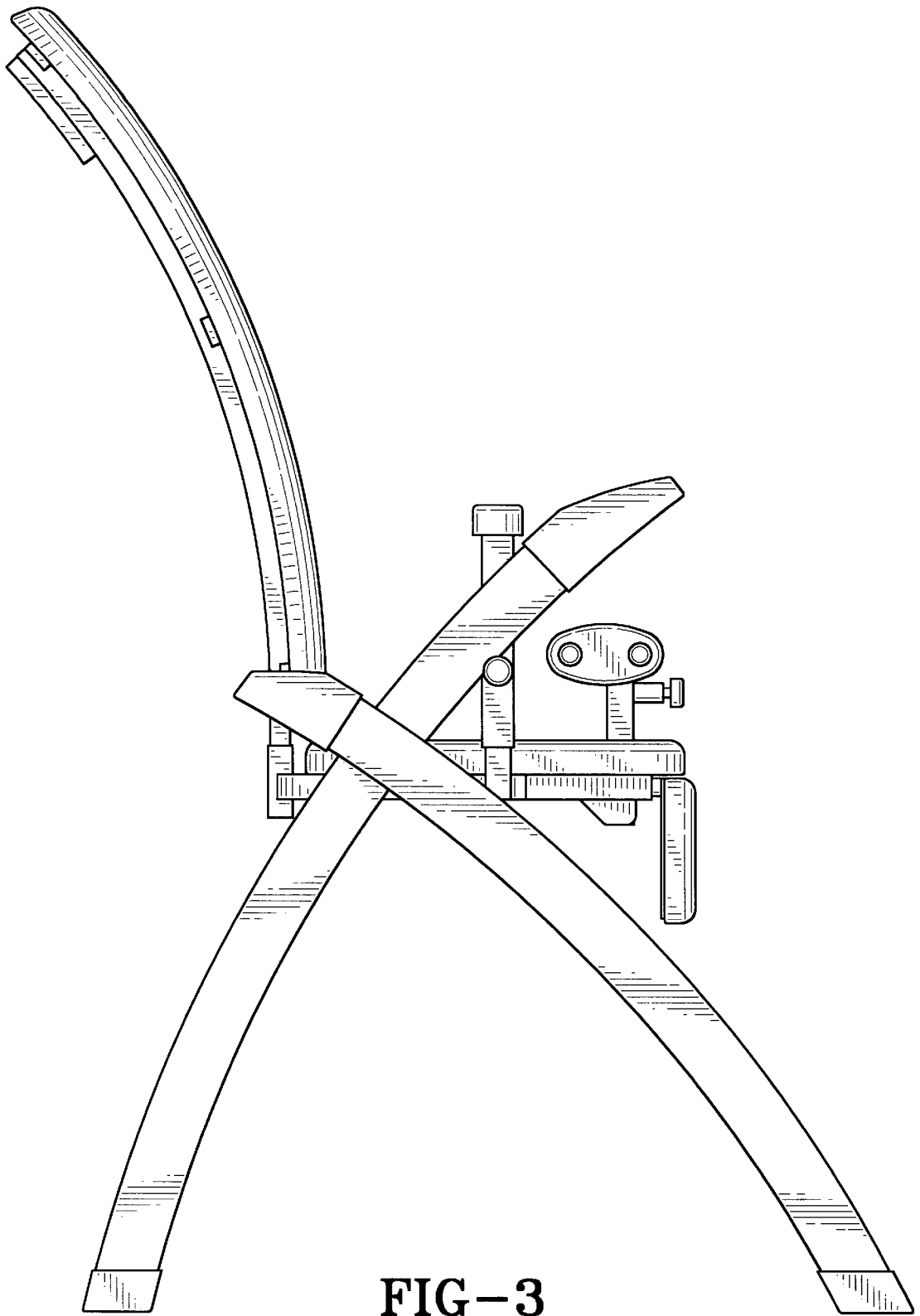


FIG-3

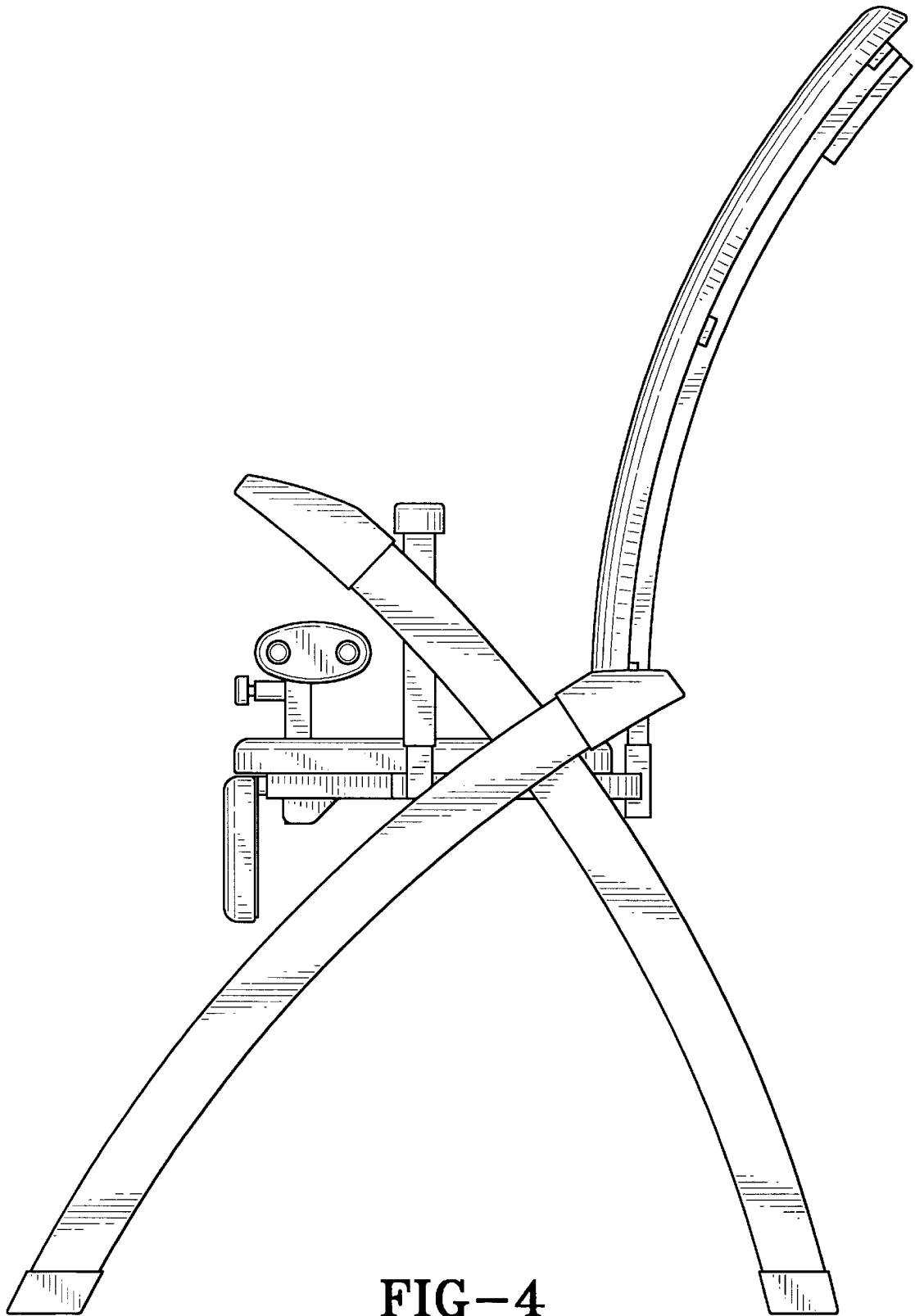


FIG-4

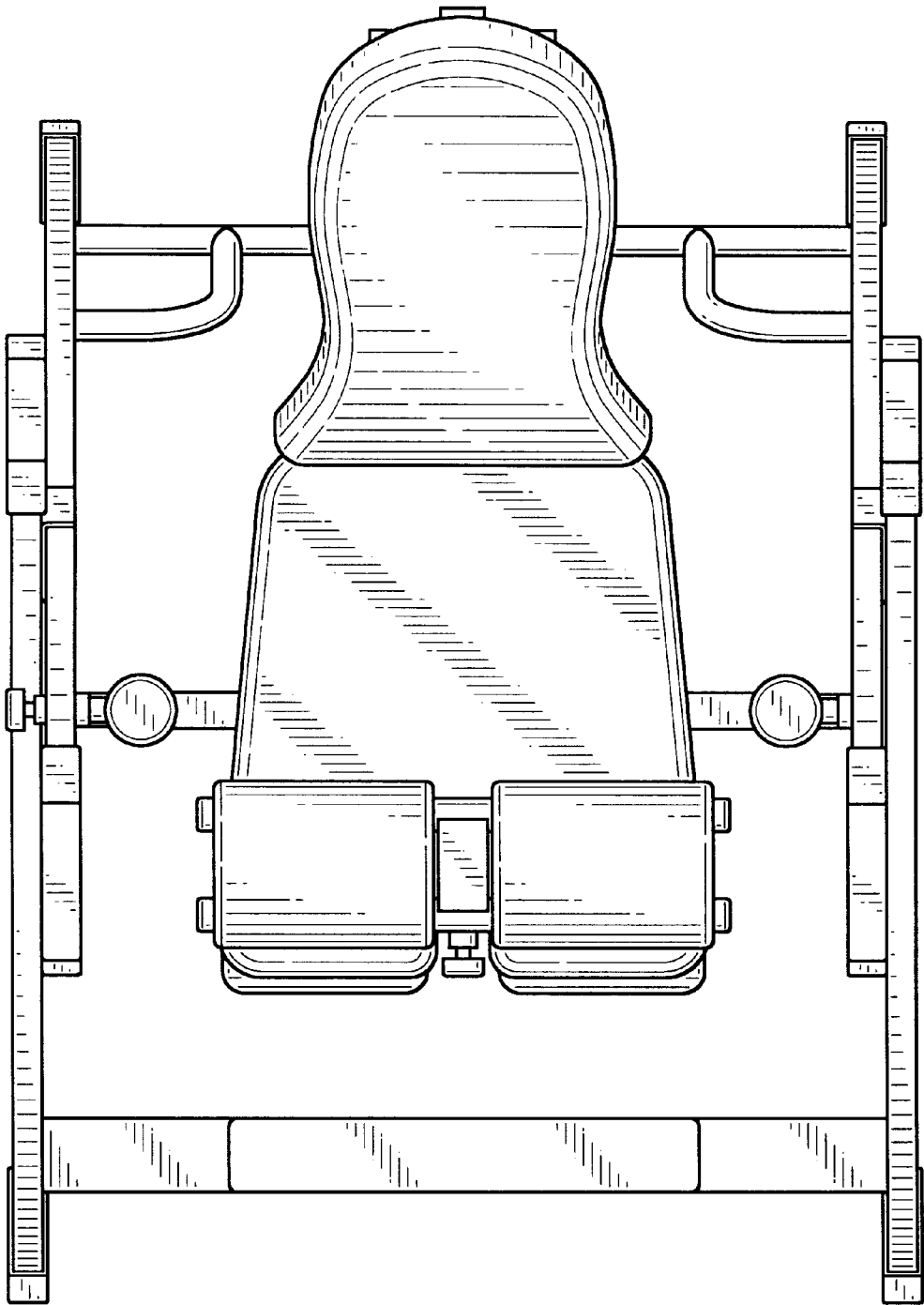


FIG-5

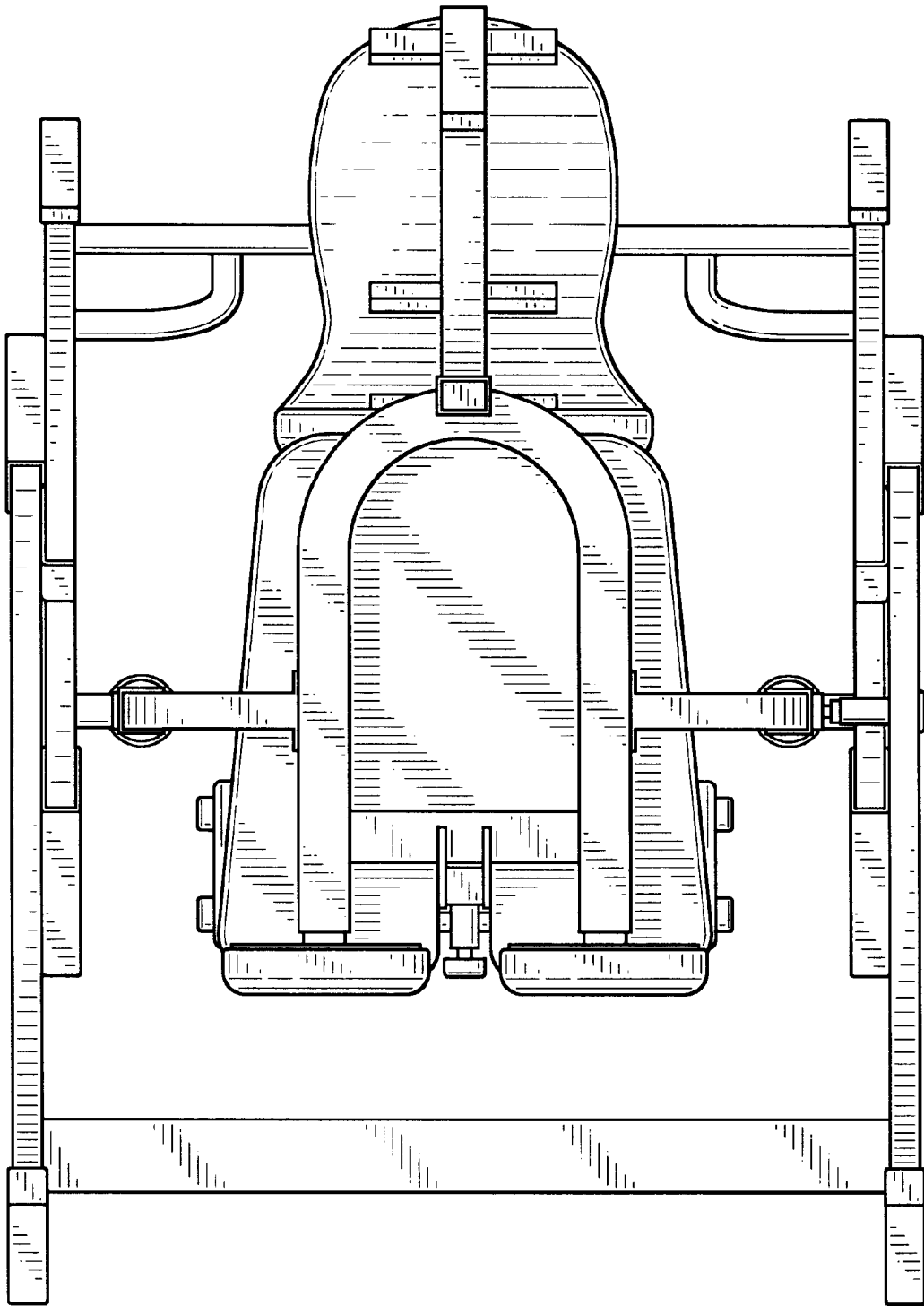


FIG-6

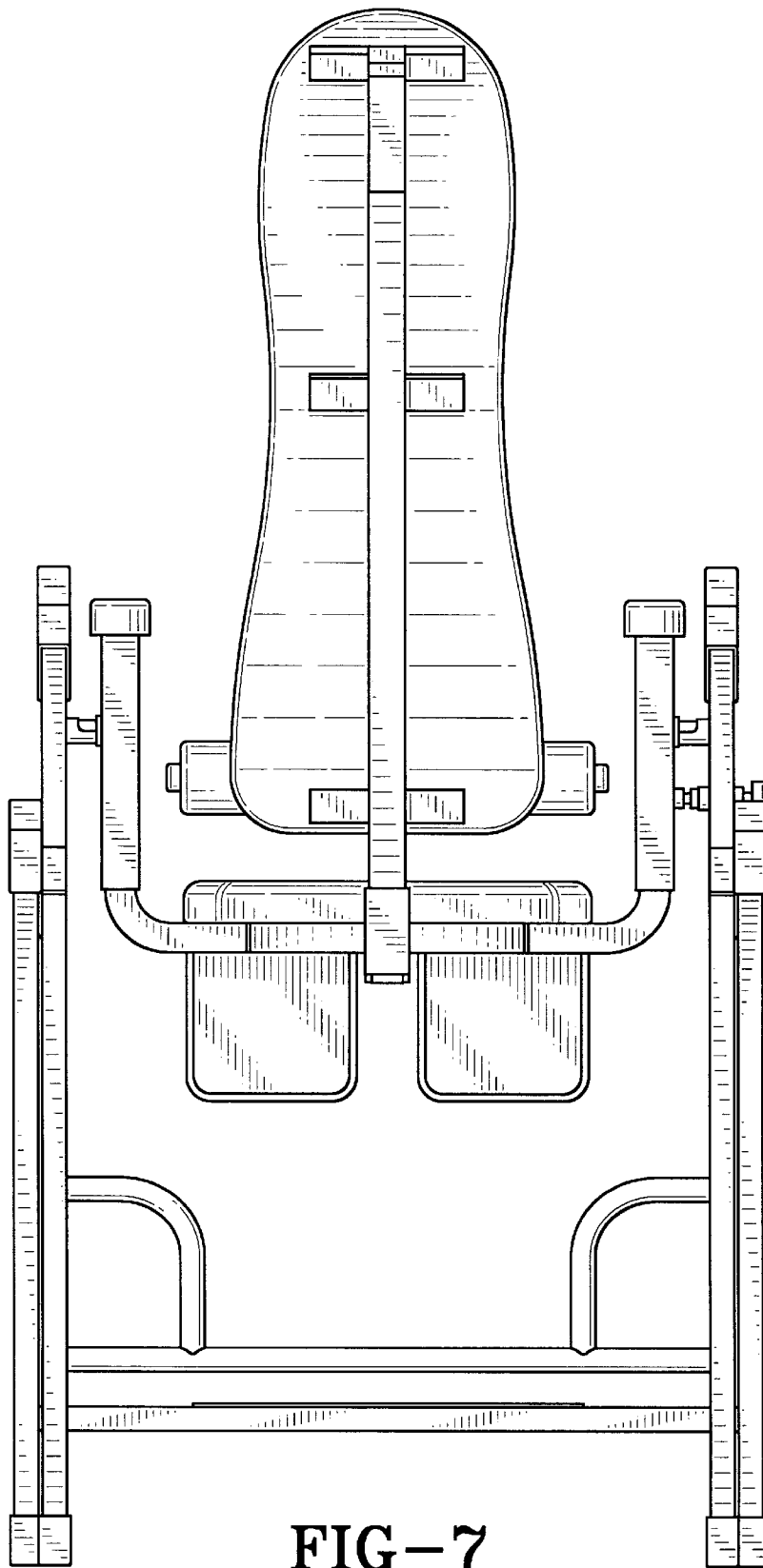


FIG-7