



US00D920088S

(12) **United States Design Patent**
Lovell et al.

(10) **Patent No.:** **US D920,088 S**

(45) **Date of Patent:** **** May 25, 2021**

(54) **CLIP**

(71) Applicant: **UFP Holdings Pty Ltd**, Silverwater (AU)

(72) Inventors: **Andrew Lovell**, Silverwater (AU);
Michael Fritz, Silverwater (AU)

(73) Assignee: **UFP Holdings Pty Ltd.**, Silverwater (AU)

(**) Term: **15 Years**

(21) Appl. No.: **29/660,810**

(22) Filed: **Aug. 22, 2018**

(30) **Foreign Application Priority Data**

Feb. 23, 2018 (AU) 201811075

(51) **LOC (13) Cl.** **08-08**

(52) **U.S. Cl.**
USPC **D8/395**

(58) **Field of Classification Search**
USPC D8/356, 371, 394-396; D19/65, 56;
D25/58, 121, 122
CPC . E04B 9/067; E04B 9/068; E04B 9/12; E04B
9/18; E04B 9/30; E04B 2009/062; E04C
2003/0413; E04C 2003/0439; E04C
2003/046; F16B 21/084

See application file for complete search history.

(56) **References Cited**

U.S. PATENT DOCUMENTS

D467,161 S *	12/2002	Klenck	D8/382
D509,726 S *	9/2005	Diller	D8/395
D549,058 S *	8/2007	Shibata	D8/14
D602,770 S *	10/2009	Fernandez	D8/376
7,891,926 B2 *	2/2011	Jackson, Jr.	F16B 21/084 411/510
8,672,601 B2 *	3/2014	Nitsche	F16B 21/084 411/510
D722,490 S *	2/2015	Lyons	D8/395
D738,713 S *	9/2015	Volin	D8/394
D810,555 S *	2/2018	O'Brien	D8/394
D884,885 S *	5/2020	Hu	D24/128

* cited by examiner

Primary Examiner — John Windmuller

(74) *Attorney, Agent, or Firm* — Thomas M. Joseph, Esq.

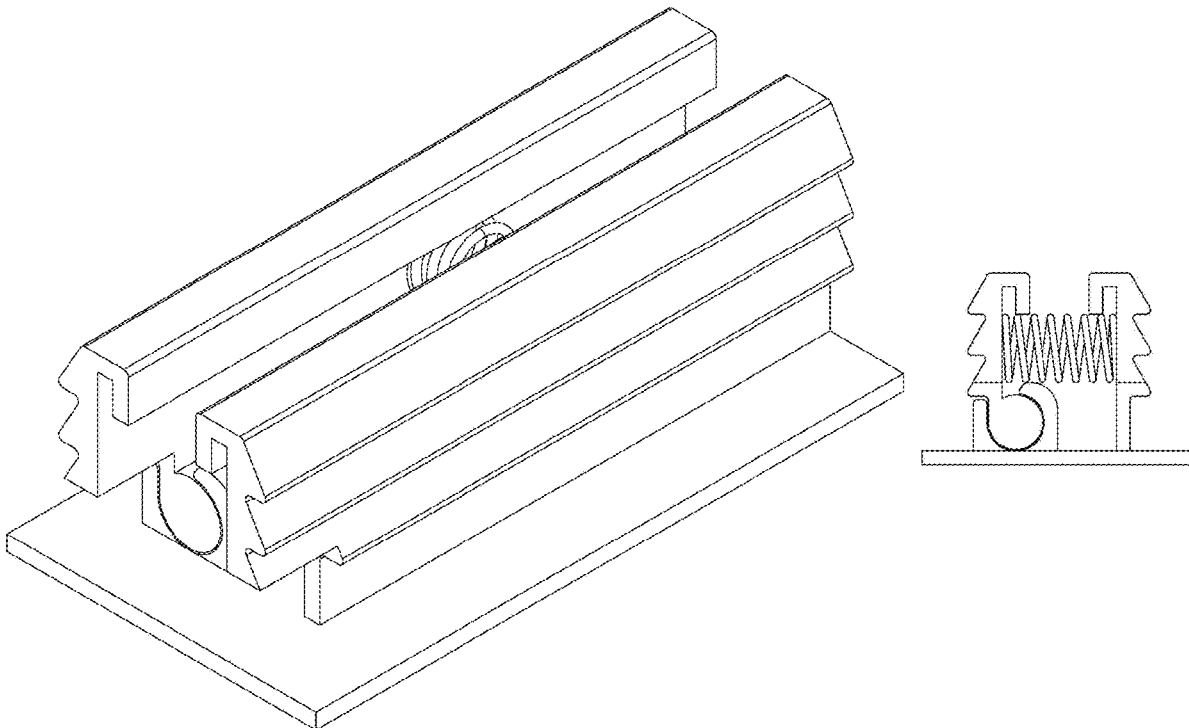
(57) **CLAIM**

The ornamental design for a clip, as shown and described.

DESCRIPTION

FIG. 1 is a perspective view showing my new design;
FIG. 2 is a front view thereof;
FIG. 3 is a rear view thereof;
FIG. 4 is a left side view thereof, the right side view being a mirror image thereof;
FIG. 5 is a top plan view thereof; and,
FIG. 6 is a bottom plan view thereof.

1 Claim, 2 Drawing Sheets



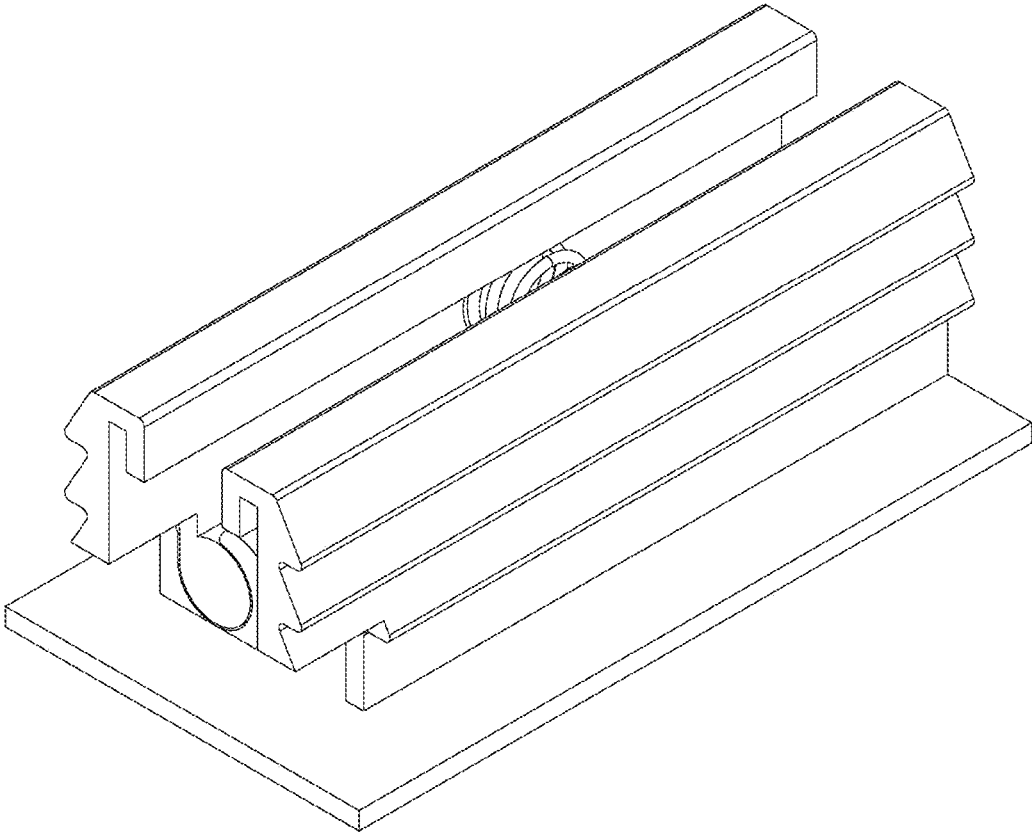


FIG.1

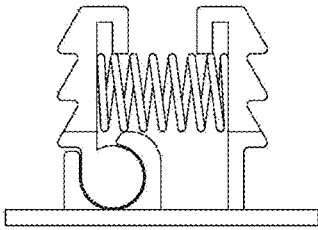


FIG. 2

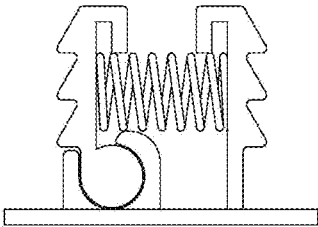


FIG. 3

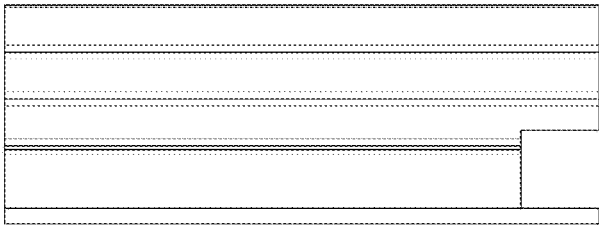


FIG. 4

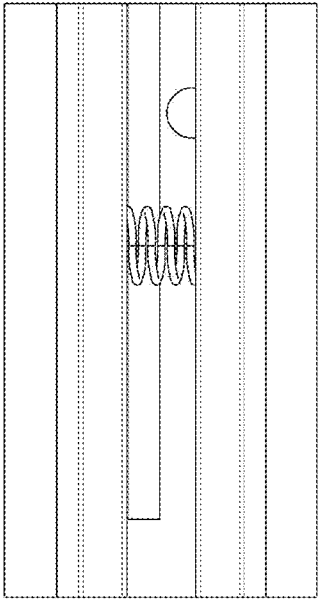


FIG. 5

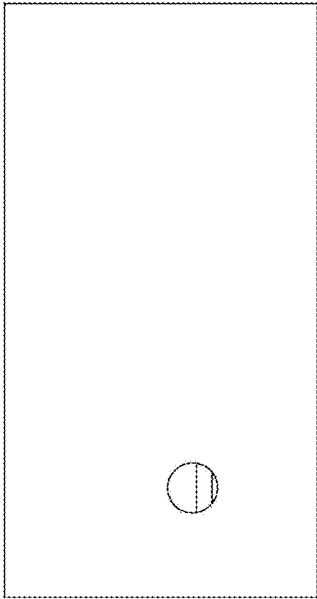


FIG. 6