

(12) INTERNATIONAL APPLICATION PUBLISHED UNDER THE PATENT COOPERATION TREATY (PCT)

(19) World Intellectual Property Organization
International Bureau



(43) International Publication Date
8 May 2003 (08.05.2003)

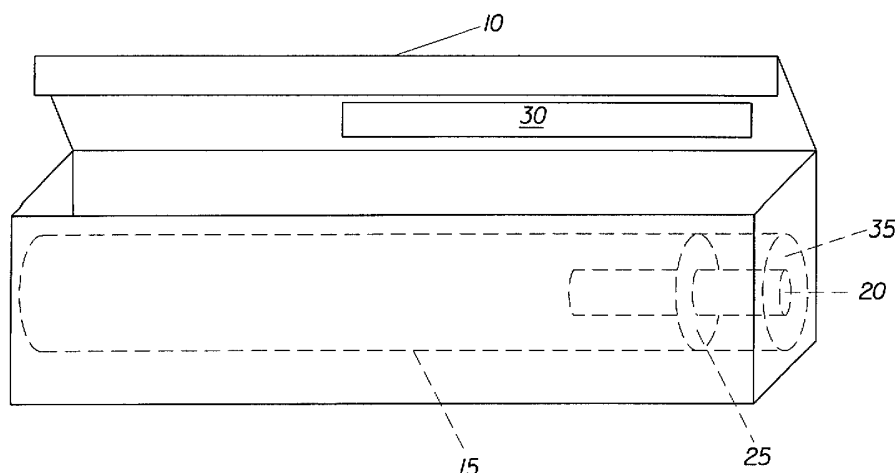
PCT

(10) International Publication Number
WO 03/037768 A3

- (51) International Patent Classification⁷: **B65H 35/00**, 37/04, B65D 85/672, 65/14 (US). **KEETER, William, Ernest, III**; 4648 Maxwell Drive, Mason, OH 45040 (US).
- (21) International Application Number: PCT/US02/34258 (74) Agents: **REED, T., David** et al.; The Procter & Gamble Company, 6110 Center Hill Rd., Cincinnati, OH 45224 (US).
- (22) International Filing Date: 25 October 2002 (25.10.2002)
- (25) Filing Language: English (81) Designated States (*national*): AE, AG, AL, AM, AT (utility model), AT, AU, AZ, BA, BB, BG, BR, BY, BZ, CA, CH, CN, CO, CR, CU, CZ (utility model), CZ, DE (utility model), DE, DK (utility model), DK, DM, DZ, EC, EE (utility model), EE, ES, FI (utility model), FI, GB, GD, GE, GH, GM, HR, HU, ID, IL, IN, IS, JP, KE, KG, KP, KR, KZ, LC, LK, LR, LS, LT, LU, LV, MA, MD, MG, MK, MN, MW, MX, MZ, NO, NZ, OM, PH, PL, PT, RO, RU, SD, SE, SG, SI, SK (utility model), SK, SL, TJ, TM, TN, TR, TT, TZ, UA, UG, UZ, VC, VN, YU, ZA, ZM, ZW.
- (26) Publication Language: English
- (30) Priority Data: 60/343,282 26 October 2001 (26.10.2001) US (84) Designated States (*regional*): ARIPO patent (GH, GM, KE, LS, MW, MZ, SD, SL, SZ, TZ, UG, ZM, ZW), Eurasian patent (AM, AZ, BY, KG, KZ, MD, RU, TJ, TM), European patent (AT, BE, BG, CH, CY, CZ, DE, DK, EE, ES, FI, FR, GB, GR, IE, IT, LU, MC, NL, PT, SE, SK, TR), OAPI patent (BF, BJ, CF, CG, CI, CM, GA, GN, GQ, GW, ML, MR, NE, SN, TD, TG).
- (71) Applicant: **THE PROCTER & GAMBLE COMPANY** [US/US]; One Procter & Gamble Plaza, Cincinnati, OH 45202 (US).
- (72) Inventors: **TOUSSANT, John, William**; 8169 Shadybrook Drive, West Chester, OH 45069 (US). **RAHL, Stephen, Richard**; 9300 Bodford Drive, West Chester, OH 45069 (US). **WAHL, Kent, Robert**; 2146 Beechcroft Court, Cincinnati, OH 45233 (US). **JACKSON, Beverly, Julian**; 167 East Fairway Drive, Hamilton, OH 45013

[Continued on next page]

(54) Title: FLEXIBLE WRAP KIT AND METHODS



(57) Abstract: Flexible wrap kits comprise a flexible film and an adhesive component wherein the adhesive component is adapted for application to the flexible film or an article for adhering the flexible film and the article upon contact therebetween, and wherein the kits are suitable for use in methods for adhering an article with the flexible film. In specific embodiments, the flexible film comprises plastic films, wax papers or metallic foil wraps.



WO 03/037768 A3

**Declarations under Rule 4.17:**

- as to applicant's entitlement to apply for and be granted a patent (Rule 4.17(ii)) for the following designations AE, AG, AL, AM, AT, AU, AZ, BA, BB, BG, BR, BY, BZ, CA, CH, CN, CO, CR, CU, CZ, DE, DK, DM, DZ, EC, EE, ES, FI, GB, GD, GE, GH, GM, HR, HU, ID, IL, IN, IS, JP, KE, KG, KP, KR, KZ, LC, LK, LR, LS, LT, LU, LV, MA, MD, MG, MK, MN, MW, MX, MZ, NO, NZ, OM, PH, PL, PT, RO, RU, SD, SE, SG, SI, SK, SL, TJ, TM, TN, TR, TT, TZ, UA, UG, UZ, VC, VN, YU, ZA, ZM, ZW, ARIPO patent (GH, GM, KE, LS, MW, MZ, SD, SL, SZ, TZ, UG, ZM, ZW), Eurasian patent (AM, AZ, BY, KG, KZ, MD, RU, TJ, TM), European patent (AT, BE, BG, CH, CY, CZ, DE, DK, EE, ES, FI, FR, GB, GR, IE, IT, LU, MC, NL, PT, SE, SK, TR), OAPI patent (BF, BJ, CF, CG, CI, CM, GA, GN, GQ, GW, ML, MR, NE, SN, TD, TG)

- as to the applicant's entitlement to claim the priority of the earlier application (Rule 4.17(iii)) for all designations

Published:

- with international search report
- before the expiration of the time limit for amending the claims and to be republished in the event of receipt of amendments

(88) Date of publication of the international search report:

3 July 2003

For two-letter codes and other abbreviations, refer to the "Guidance Notes on Codes and Abbreviations" appearing at the beginning of each regular issue of the PCT Gazette.

INTERNATIONAL SEARCH REPORT

International Application No
PCT/US 02/34258

A. CLASSIFICATION OF SUBJECT MATTER
 IPC 7 B65H35/00 B65H37/04 B65D85/672 B65D65/14

According to International Patent Classification (IPC) or to both national classification and IPC

B. FIELDS SEARCHED
 Minimum documentation searched (classification system followed by classification symbols)
 IPC 7 B65H C09D C09J B65D

Documentation searched other than minimum documentation to the extent that such documents are included in the fields searched

Electronic data base consulted during the international search (name of data base and, where practical, search terms used)
 EPO-Internal, PAJ

C. DOCUMENTS CONSIDERED TO BE RELEVANT

Category °	Citation of document, with indication, where appropriate, of the relevant passages	Relevant to claim No.
X	US 6 151 869 A (WEDER) 28 November 2000 (2000-11-28) the whole document ---	1,6
X	US 4 913 767 A (LONGWORTH) 3 April 1990 (1990-04-03) the whole document ---	1
A	US 3 078 182 A (CRONE ET AL) 19 February 1963 (1963-02-19) column 1, line 10 - line 34 ---	3,4
A	US 6 194 062 B1 (HAMILTON ET AL) 27 February 2001 (2001-02-27) column 1, line 22 -column 8, line 51; figures 1-3 -----	1

Further documents are listed in the continuation of box C.

Patent family members are listed in annex.

° Special categories of cited documents :

- *A* document defining the general state of the art which is not considered to be of particular relevance
- *E* earlier document but published on or after the international filing date
- *L* document which may throw doubts on priority claim(s) or which is cited to establish the publication date of another citation or other special reason (as specified)
- *O* document referring to an oral disclosure, use, exhibition or other means
- *P* document published prior to the international filing date but later than the priority date claimed

- *T* later document published after the international filing date or priority date and not in conflict with the application but cited to understand the principle or theory underlying the invention
- *X* document of particular relevance; the claimed invention cannot be considered novel or cannot be considered to involve an inventive step when the document is taken alone
- *Y* document of particular relevance; the claimed invention cannot be considered to involve an inventive step when the document is combined with one or more other such documents, such combination being obvious to a person skilled in the art.
- *&* document member of the same patent family

Date of the actual completion of the international search

Date of mailing of the international search report

7 May 2003

14/05/2003

Name and mailing address of the ISA
 European Patent Office, P.B. 5818 Patentlaan 2
 NL - 2280 HV Rijswijk
 Tel. (+31-70) 340-2040, Tx. 31 651 epo nl,
 Fax: (+31-70) 340-3016

Authorized officer

Raven, P

INTERNATIONAL SEARCH REPORT

Information on patent family members

International Application No

PCT/US 02/34258

Patent document cited in search report		Publication date	Patent family member(s)	Publication date
US 6151869	A	28-11-2000	US 5479761 A	02-01-1996
			US 5344016 A	06-09-1994
			US 5402599 A	04-04-1995
			US 2002152678 A1	24-10-2002
			US 5509251 A	23-04-1996
			US 5428939 A	04-07-1995
			US 5497881 A	12-03-1996
			US 5576089 A	19-11-1996
			US 5522201 A	04-06-1996
			US 5974736 A	02-11-1999
			US 5588530 A	31-12-1996
			US 5533320 A	09-07-1996
			US 5467575 A	21-11-1995
			US 5509188 A	23-04-1996
			US 5515644 A	14-05-1996
			US 5501059 A	26-03-1996
			US 5632130 A	27-05-1997
			US 5628164 A	13-05-1997
			US 5605012 A	25-02-1997
			US 5526933 A	18-06-1996
			US 5561965 A	08-10-1996
			US 5595298 A	21-01-1997
			US 5537799 A	23-07-1996
			US 5535574 A	16-07-1996
			US 5975299 A	02-11-1999
			US 5640805 A	24-06-1997
			US 5592803 A	14-01-1997
			US 5653089 A	05-08-1997
			US 5584392 A	17-12-1996
			US 5615532 A	01-04-1997
			US 5718081 A	17-02-1998
			US 5687546 A	18-11-1997
			US 5704108 A	06-01-1998
			US 5704109 A	06-01-1998
			US 5566439 A	22-10-1996
			US 5647189 A	15-07-1997
			US 5636493 A	10-06-1997
			US 5752360 A	19-05-1998
			US 6295758 B1	02-10-2001
			US 5775057 A	07-07-1998
			US 5921061 A	13-07-1999
			US 5727362 A	17-03-1998
			US 5782057 A	21-07-1998
			US 5816021 A	06-10-1998
			US 2002144462 A1	10-10-2002
			US 2001039756 A1	15-11-2001
			US 5335477 A	09-08-1994
			US 5307605 A	03-05-1994
			US 5596862 A	28-01-1997
			US 5809629 A	22-09-1998
US 4913767	A	03-04-1990	AU 614446 B2	29-08-1991
			AU 4537889 A	14-06-1990
			CA 2003323 A1	12-06-1990
			KR 9608491 Y1	02-10-1996
US 3078182	A	19-02-1963	NONE	

INTERNATIONAL SEARCH REPORT

Information on patent family members

International Application No

PCT/US 02/34258

Patent document cited in search report	Publication date	Patent family member(s)	Publication date
US 6194062	B1	27-02-2001	
		US 5662758 A	02-09-1997
		AT 227675 T	15-11-2002
		AU 724478 B2	21-09-2000
		AU 1745597 A	01-08-1997
		BR 9706951 A	11-05-1999
		CA 2241963 A1	17-07-1997
		CN 1207076 A ,B	03-02-1999
		CZ 9802119 A3	11-08-1999
		DE 69717071 D1	19-12-2002
		DK 874765 T3	10-03-2003
		EG 21538 A	28-11-2001
		EP 0874765 A1	04-11-1998
		HU 9901068 A2	28-07-1999
		IL 125234 A	23-12-2001
		JP 11501895 T	16-02-1999
		NO 983146 A	10-09-1998
		NZ 331302 A	27-03-2000
		TR 9801337 T2	21-10-1998
		US 2002081411 A1	27-06-2002
		WO 9725256 A1	17-07-1997
		AT 228925 T	15-12-2002
		AU 2579697 A	01-08-1997
		BR 9706947 A	21-09-1999
		CA 2241922 A1	17-07-1997
		CN 1400268 A	05-03-2003
		CN 1220629 A ,B	23-06-1999
		CZ 9802118 A3	13-01-1999
		DE 69717683 D1	16-01-2003
		EG 21118 A	29-11-2000
		EP 1015225 A2	05-07-2000
		JP 2002512565 T	23-04-2002
		NO 983145 A	07-09-1998
		NZ 330835 A	27-03-2000
		TR 9801322 T2	21-10-1998
		WO 9725268 A2	17-07-1997
		US 5871607 A	16-02-1999
		US 6489022 B1	03-12-2002
		ZA 9700165 A	16-07-1997
		ZA 9700166 A	21-08-1997