



US00D878359S

(12) **United States Design Patent**  
**Jaggers et al.**

(10) **Patent No.:** **US D878,359 S**

(45) **Date of Patent:** **\*\* Mar. 17, 2020**

(54) **HOUSING OF AN ELECTRONIC DEVICE**

OTHER PUBLICATIONS

- (71) Applicant: **Advanced Micro Devices, Inc.**, Sunnyvale, CA (US)
- (72) Inventors: **Christopher Jaggers**, Austin, TX (US); **David McAfee**, Austin, TX (US); **Matthew C. Grossman**, Austin, TX (US); **Christopher Cavello**, Austin, TX (US); **Christopher Janak**, Austin, TX (US); **Steve Capezza**, Austin, TX (US); **Carlos Santillana**, Cedar Park, TX (US)
- (73) Assignee: **Advanced Micro Devices, Inc.**, Santa Clara, CA (US)

AMD Project Quantum Announced | posted at legitreviews.com Jun. 2015 [online]. © 2002-2019 LegitReviews.com [retrieved Apr. 28, 2019] from Internet: <https://www.legitreviews.com/amd-project-quantum-announced-w-dual-gpu-fiji-card\_166286 (Year: 2015).\*

(Continued)

*Primary Examiner* — Sandra S Snapp  
*Assistant Examiner* — Katherine Glennon  
(74) *Attorney, Agent, or Firm* — Faegre Drinker Biddle & Reath LLP

- (\*\*) Term: **15 Years**
- (21) Appl. No.: **29/615,083**
- (22) Filed: **Aug. 25, 2017**

(57) **CLAIM**

The ornamental design for a housing of an electronic device, as shown and described.

**Related U.S. Application Data**

- (62) Division of application No. 29/548,331, filed on Dec. 11, 2015, now Pat. No. Des. 798,904.
- (51) **LOC (12) Cl.** ..... **14-02**
- (52) **U.S. Cl.**  
USPC ..... **D14/300**
- (58) **Field of Classification Search**  
USPC ..... D14/300, 301, 308, 314, 348-349, D14/353-354, 356-358; D3/208, 216  
CPC ..... G06F 13/00; G06F 16/00; G06F 16/10; G06F 1/1628; G06F 1/163; H01H 2231/002  
See application file for complete search history.

**DESCRIPTION**

FIG. 1 is a top perspective view of a housing of an electronic device;  
FIG. 2 is a bottom perspective view of a housing of an electronic device;  
FIG. 3 is a front view of a housing of an electronic device;  
FIG. 4 is a rear view of a housing of an electronic device;  
FIG. 5 is a first side view of a housing of an electronic device;  
FIG. 6 is a second side view of a housing of an electronic device;  
FIG. 7 is a top plan view of a housing of an electronic device; and,  
FIG. 8 is a bottom plan view of a housing of an electronic device.  
The broken lines show portions of the housing of an electronic device that form no part of the claimed design.

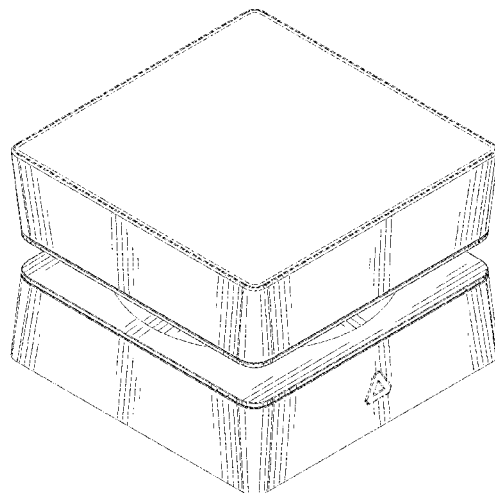
(56) **References Cited**

**U.S. PATENT DOCUMENTS**

- D364,165 S \* 11/1995 Esslinger ..... D14/213
- 5,914,707 A 6/1999 Kono
- 6,565,444 B2 5/2003 Nagata et al.

(Continued)

**1 Claim, 6 Drawing Sheets**



(56)

**References Cited**

## U.S. PATENT DOCUMENTS

6,908,387	B2	6/2005	Hedrick et al.	
6,955,606	B2	10/2005	Taho et al.	
D544,497	S *	6/2007	Kindle .....	D14/496
D560,217	S *	1/2008	Adachi .....	D14/300
D563,994	S	3/2008	Liu et al.	
D575,801	S	8/2008	Kusano et al.	
D601,583	S	10/2009	Andre et al.	
D615,555	S	5/2010	Ho	
D647,521	S *	10/2011	Takeda .....	D14/300
D650,394	S	12/2011	Seoc et al.	
D668,143	S	10/2012	Akana et al.	
D686,201	S *	7/2013	Lee .....	D14/314
D727,360	S	4/2015	Peng et al.	
D747,356	S	1/2016	Jou et al.	
D753,100	S *	4/2016	Magi .....	D14/300
D763,246	S *	8/2016	Jasinski .....	D14/300
D765,140	S	8/2016	Peng et al.	
D797,095	S *	9/2017	Delpier .....	D14/314
D798,904	S *	10/2017	Jaggers .....	D14/496
9,848,515	B1 *	12/2017	Janak .....	H05K 7/20781
D807,873	S *	1/2018	Seoc .....	D14/314

## OTHER PUBLICATIONS

AMD Project Quantum PC Form Factor Leaps Forward | posted at youtube.com Jun. 2015 [online] [retrieved Apr. 28, 2019] from Internet: <<https://www.youtube.com/watch?v=1RdISWklUmM>> (Year: 2015).\*

\* cited by examiner

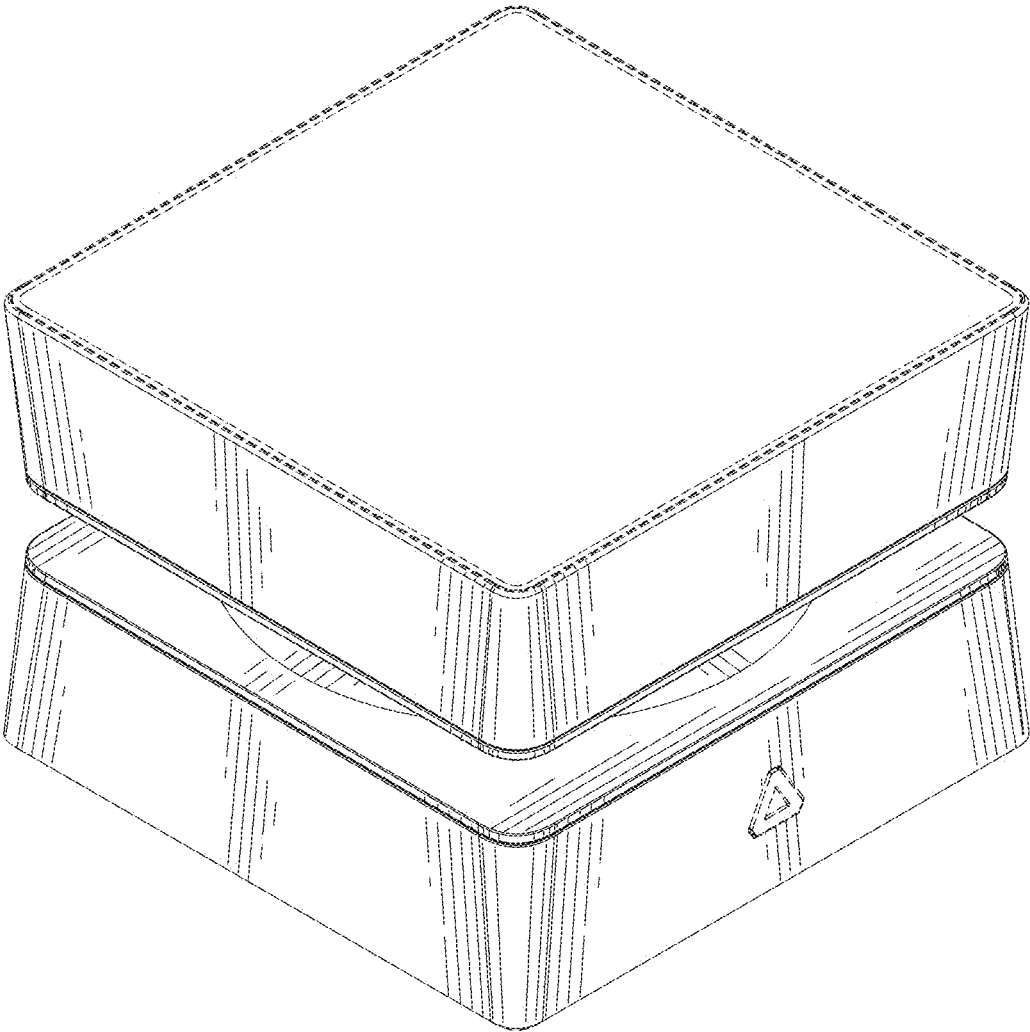


FIG. 1

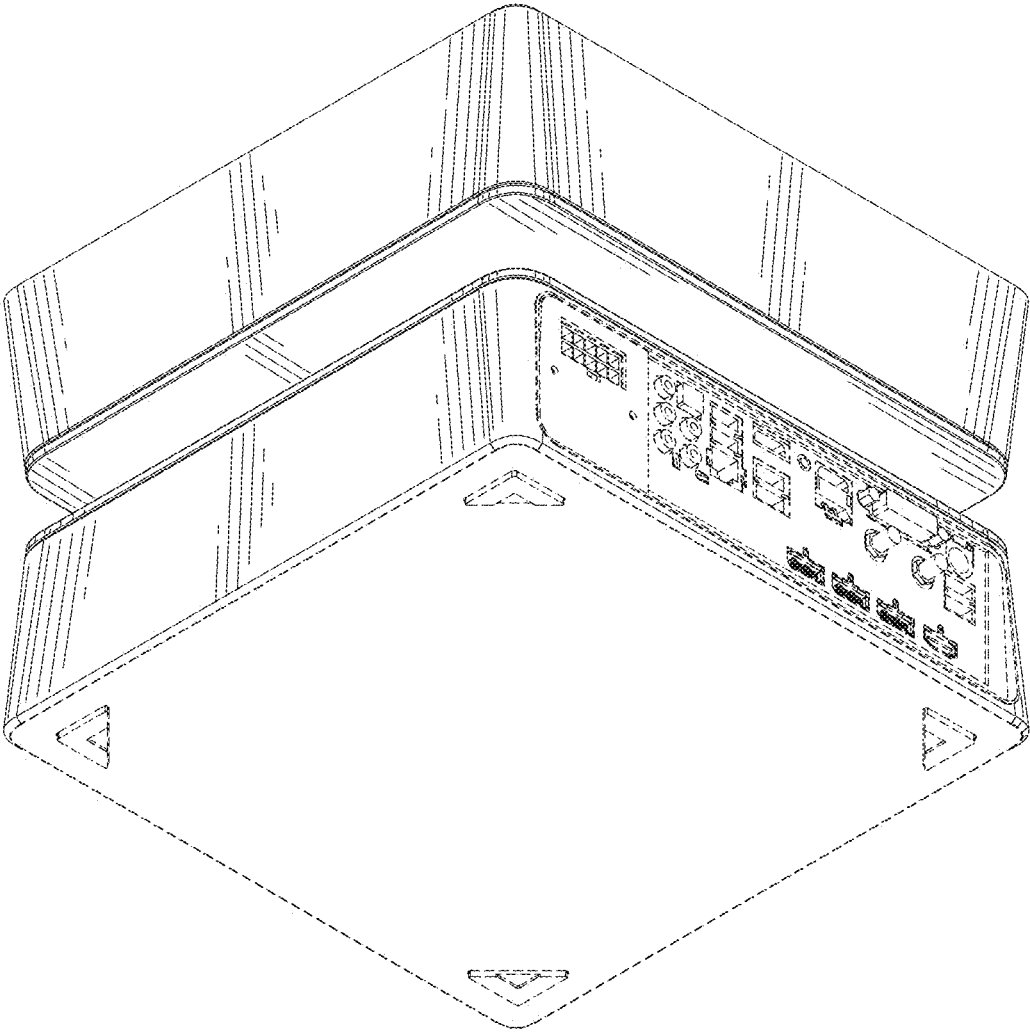


FIG. 2

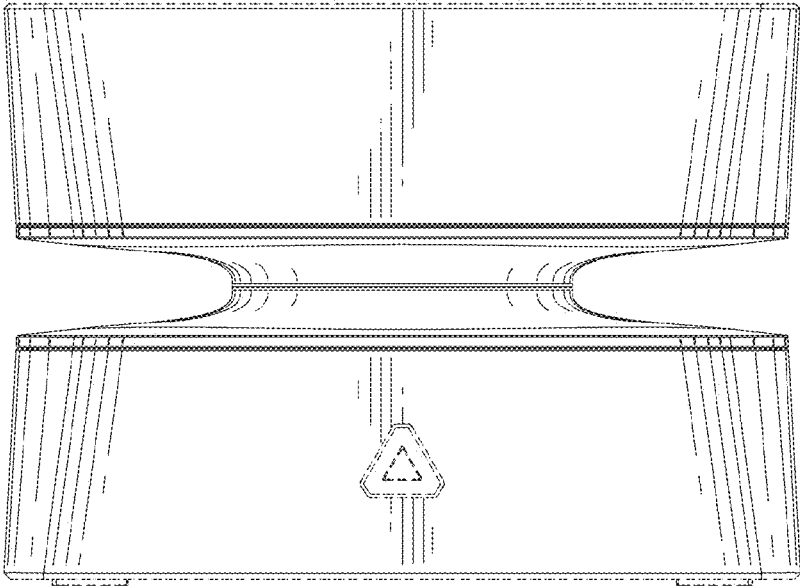


FIG. 3

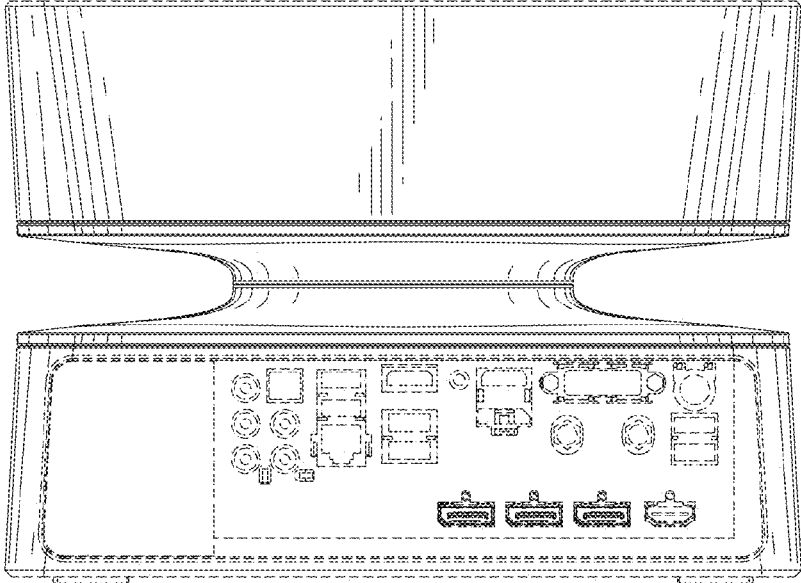


FIG. 4

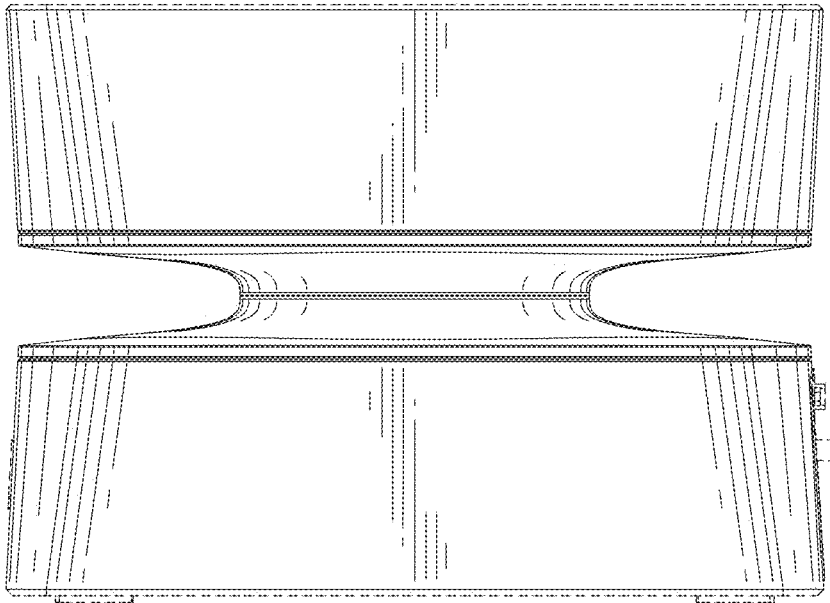


FIG. 5

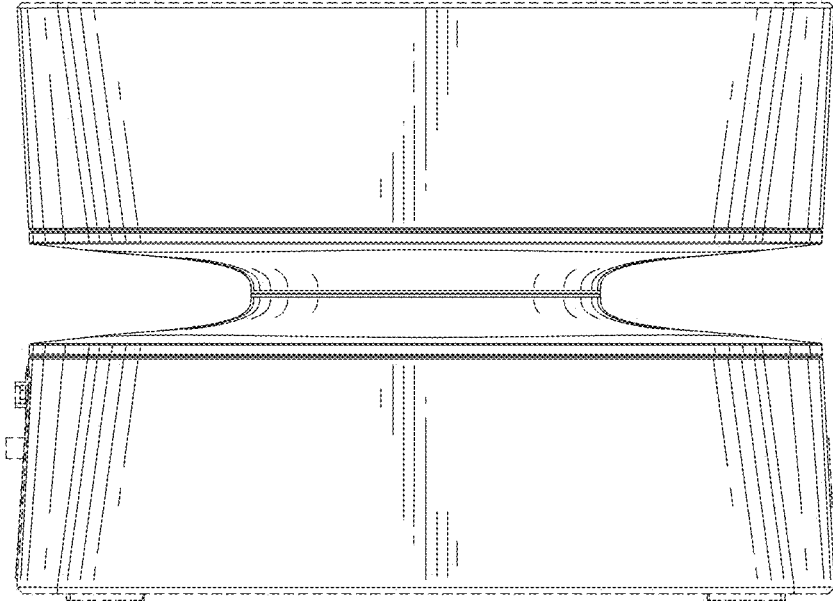


FIG. 6

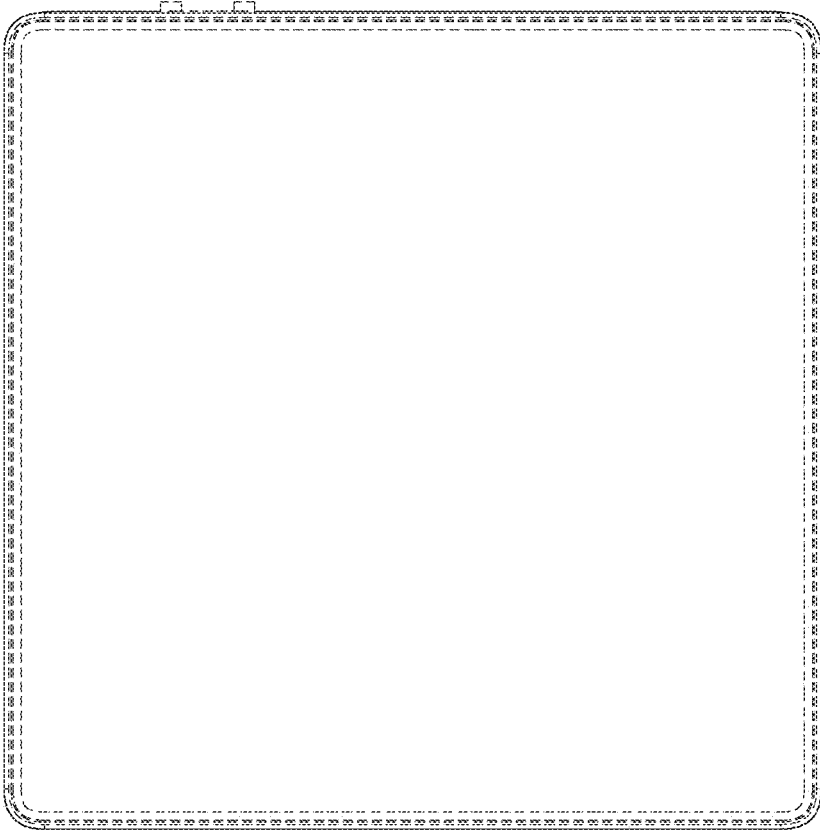


FIG. 7

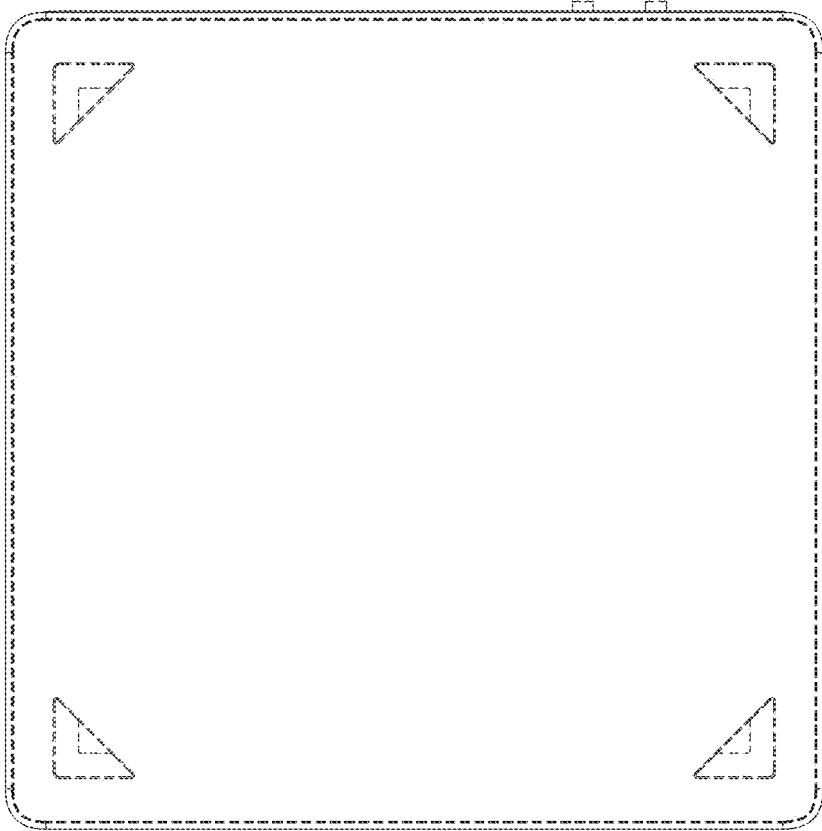


FIG. 8