



US00D975063S

(12) **United States Design Patent**
Huang et al.

(10) **Patent No.:** **US D975,063 S**

(45) **Date of Patent:** **** Jan. 10, 2023**

(54) **EARPHONE**

(56) **References Cited**

(71) Applicant: **BEIJING XIAOMI MOBILE SOFTWARE CO., LTD.**, Beijing (CN)

U.S. PATENT DOCUMENTS

(72) Inventors: **Jiasheng Huang**, Beijing (CN); **Yin Zhu**, Beijing (CN); **Xu Wei**, Beijing (CN); **Chuangqi Li**, Beijing (CN); **Jingxiang Wang**, Beijing (CN); **Diyun Xiang**, Beijing (CN)

D847,794 S *	5/2019	Guo	D14/223
D883,260 S *	5/2020	Hu	D14/223
D894,875 S *	9/2020	Zhao	D14/223
D895,582 S *	9/2020	Wu	D14/223
D905,019 S *	12/2020	Liu	D14/223
D907,606 S *	1/2021	Lin	D14/223
D910,600 S *	2/2021	Zhang	D14/223
D914,644 S *	3/2021	Zhu	D14/223
D914,646 S *	3/2021	Yang	D14/223
D929,380 S *	8/2021	Park	D14/223
D937,246 S *	11/2021	Li	D14/223
D950,525 S *	5/2022	Chen	D14/223
D957,366 S *	7/2022	Hachiri	D14/223

(73) Assignee: **BEIJING XIAOMI MOBILE SOFTWARE CO., LTD.**, Beijing (CN)

(**) Term: **15 Years**

FOREIGN PATENT DOCUMENTS

(21) Appl. No.: **29/787,888**

JP	D1687970 S	6/2021
KR	3010485200000 S	3/2021
KR	3010485250000 S	3/2021

(22) Filed: **Jun. 9, 2021**

* cited by examiner

(30) **Foreign Application Priority Data**

Dec. 9, 2020 (CN) 202030757064.2

(51) **LOC (14) Cl.** **14-01**

(52) **U.S. Cl.**
USPC **D14/223**

(58) **Field of Classification Search**
USPC D14/223, 205, 206; D24/174, 217, 218; 128/864, 865, 866; 181/129, 130, 135; 379/430, 431; 381/380, 381, 322-324, 381/330; 455/90.3, 575, 1, 569.1; D9/415, 432, 721; D3/274, 294; D13/108
CPC H04R 1/10; H04R 25/00; H04R 1/1016; H04R 1/1066; H04R 5/033; H04R 5/0335; H04R 1/1091; H04R 1/1058; H04R 1/105; H04R 1/1083

See application file for complete search history.

Primary Examiner — Katie Jane Stofko
(74) *Attorney, Agent, or Firm* — Syncoda LLC; Feng Ma

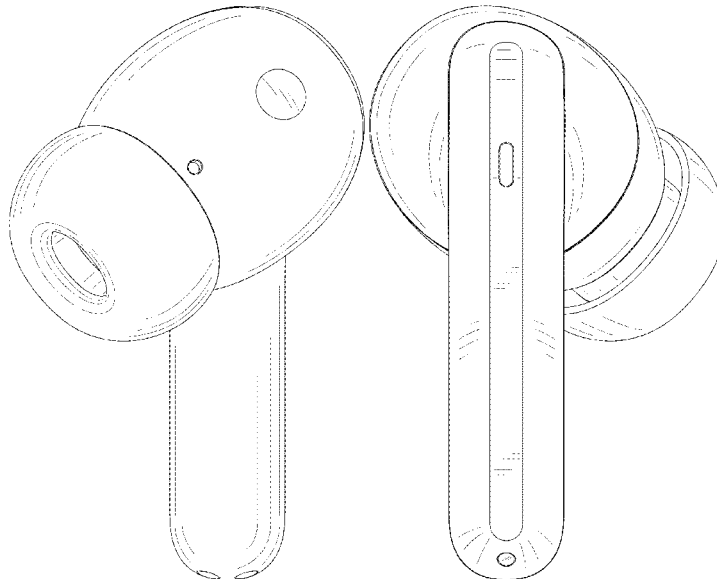
(57) **CLAIM**

The ornamental design for an earphone, as shown and described.

DESCRIPTION

FIG. 1 is a front view of an earphone showing the new design;
FIG. 2 is a back view thereof;
FIG. 3 is a left side view thereof;
FIG. 4 is a right side view thereof;
FIG. 5 is a top view thereof;
FIG. 6 is a bottom view thereof;
FIG. 7 is a front, right side perspective view thereof; and,
FIG. 8 is a back, left side perspective view thereof.

1 Claim, 8 Drawing Sheets



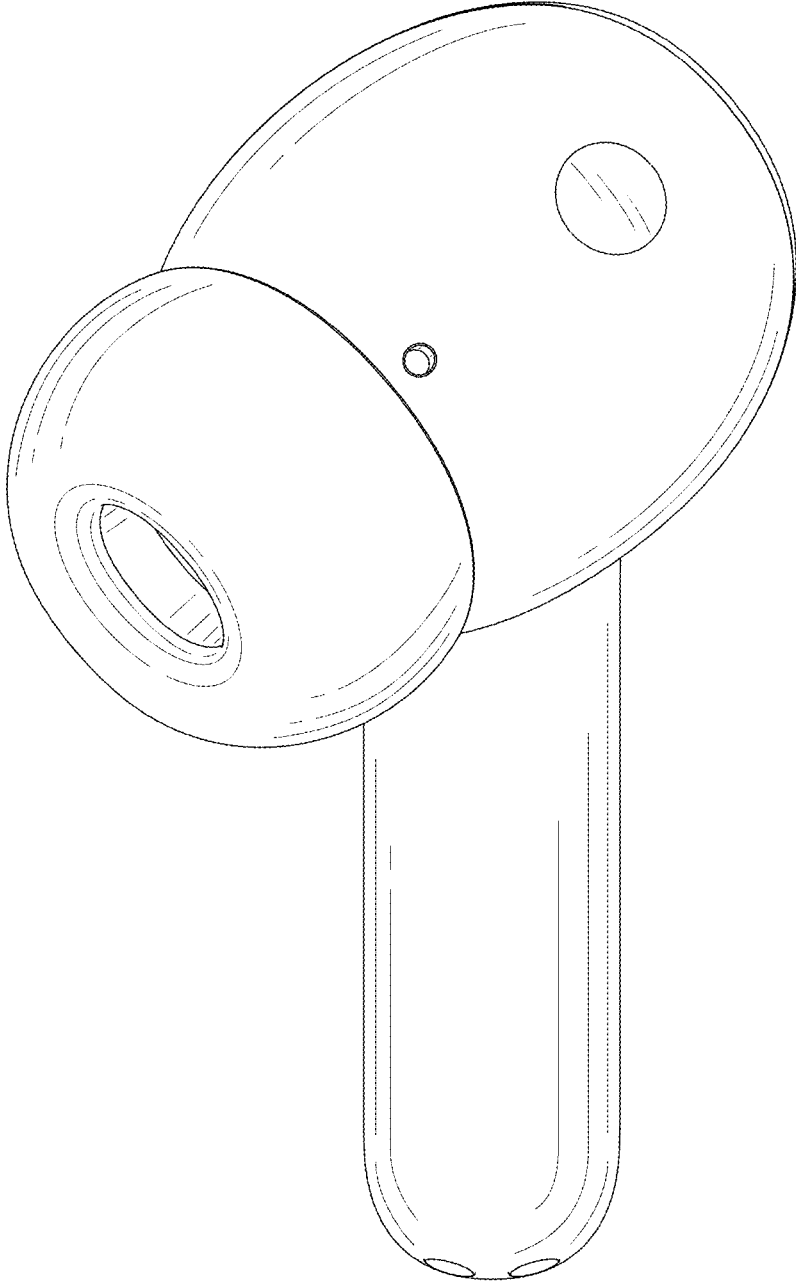


FIG. 1

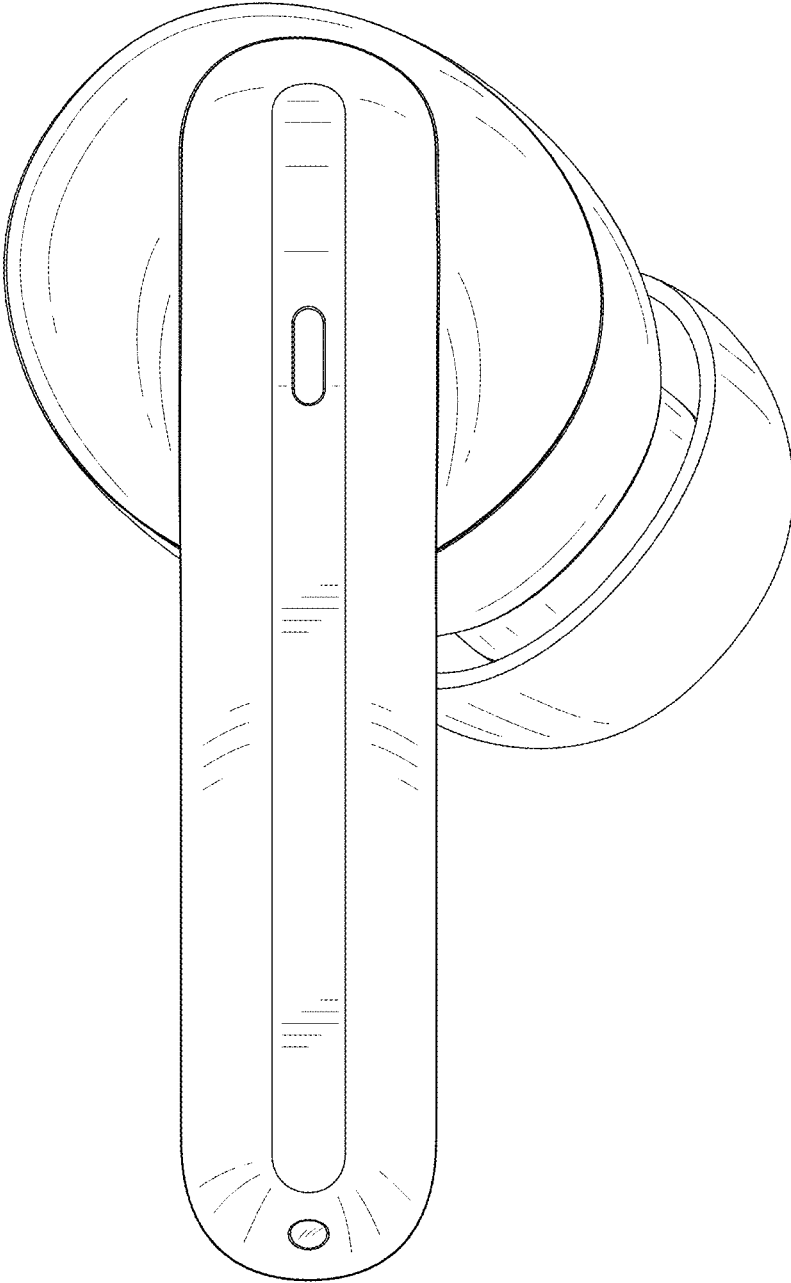


FIG. 2

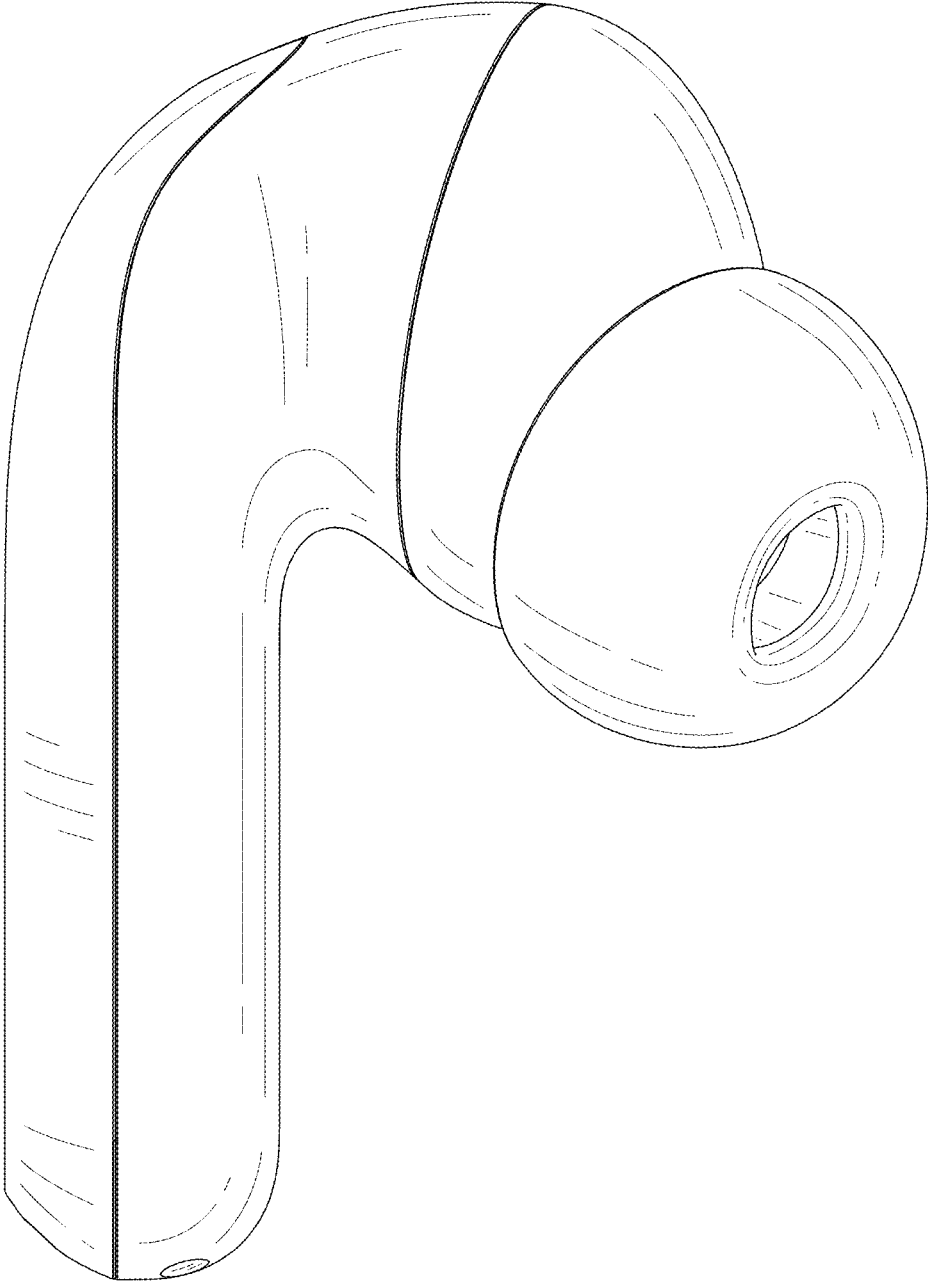


FIG. 3

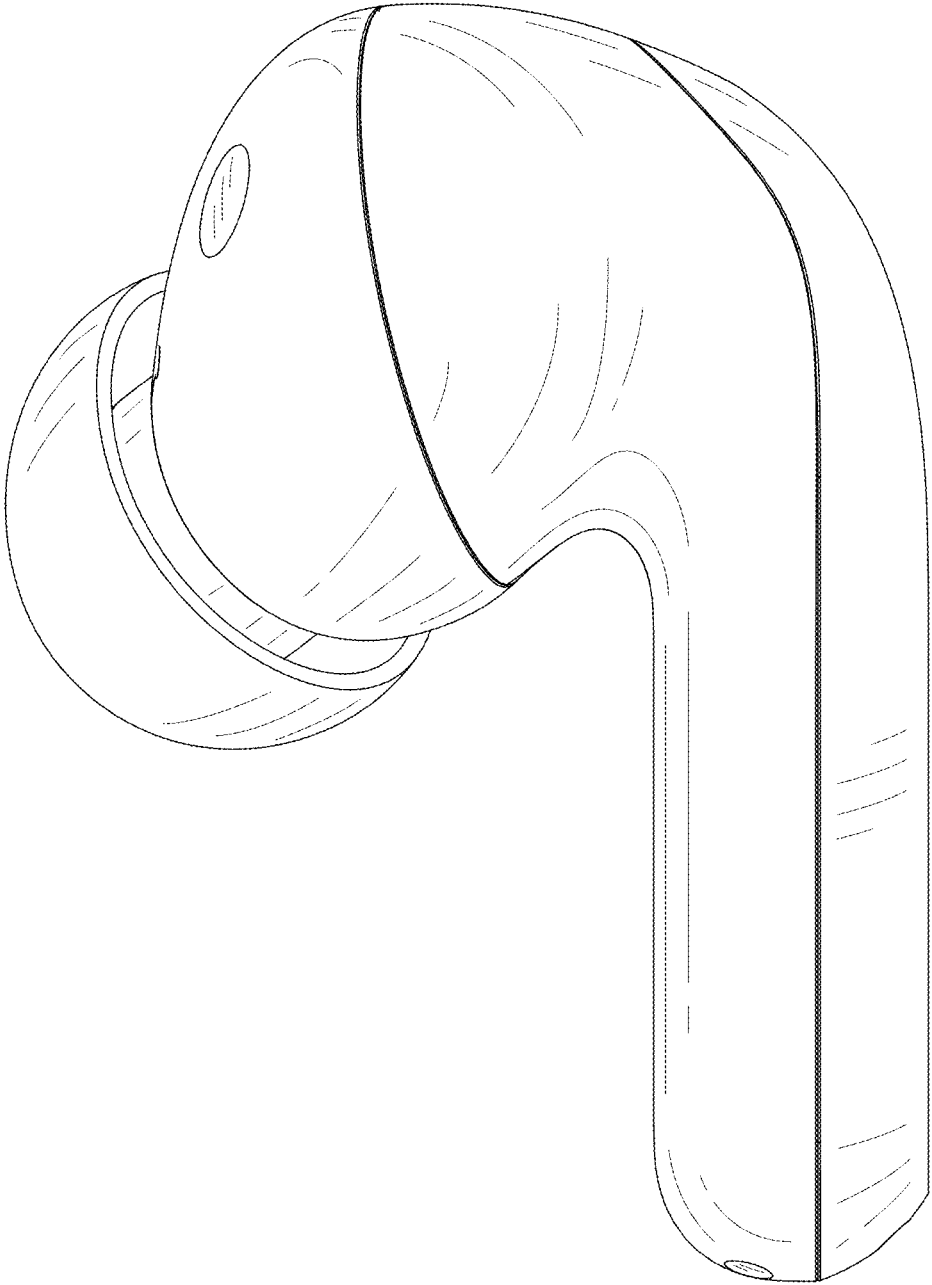


FIG. 4

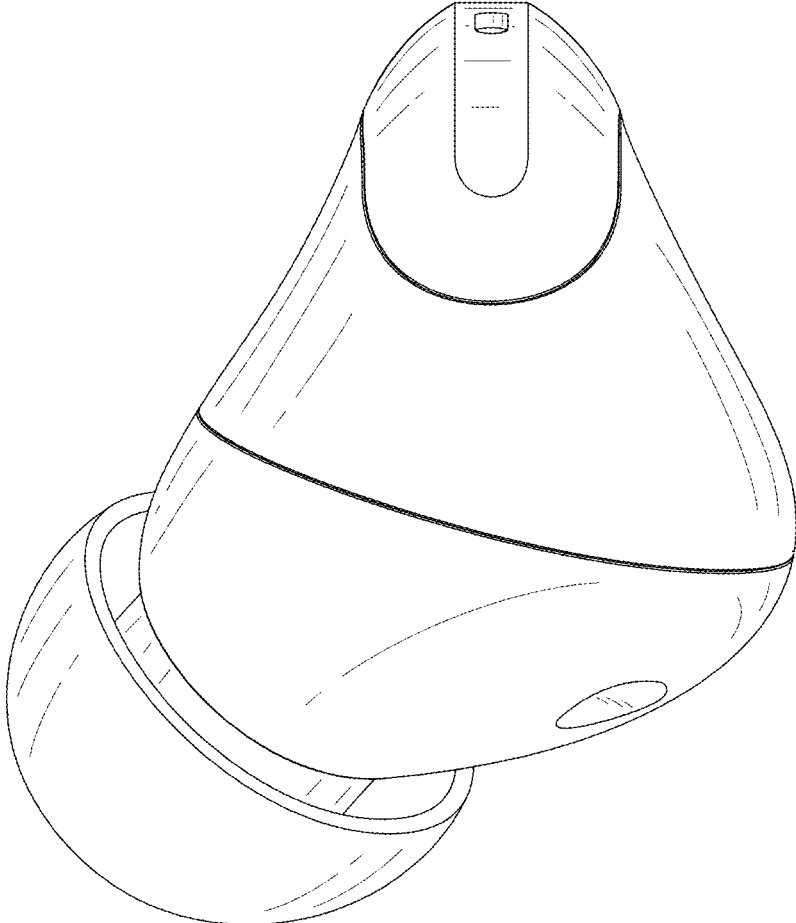


FIG. 5

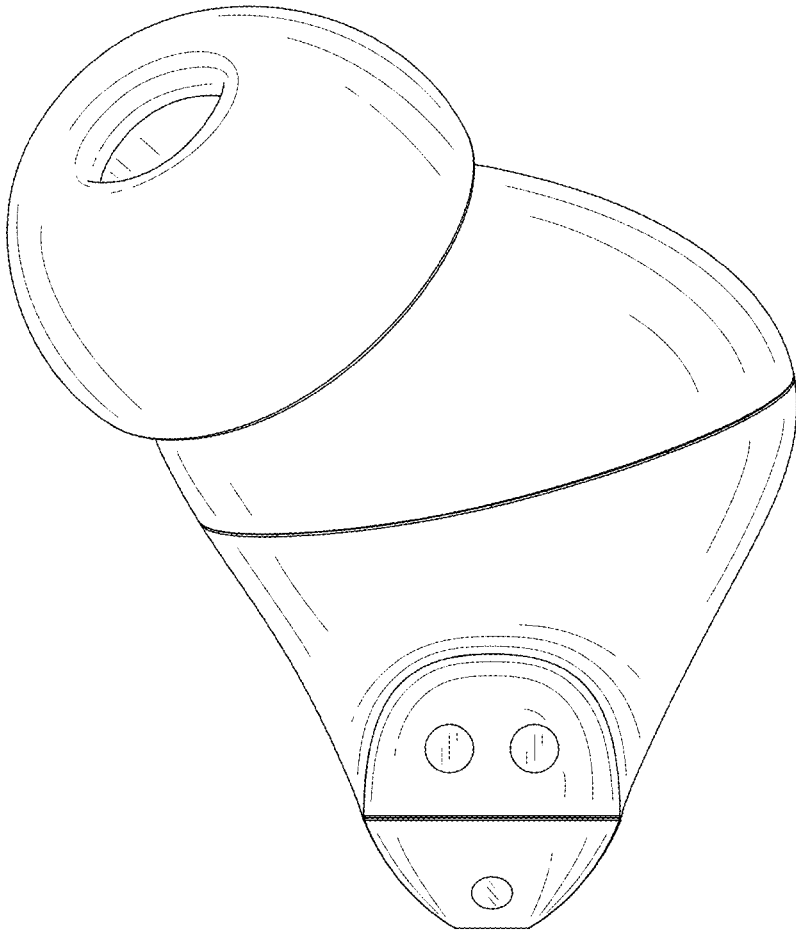


FIG. 6

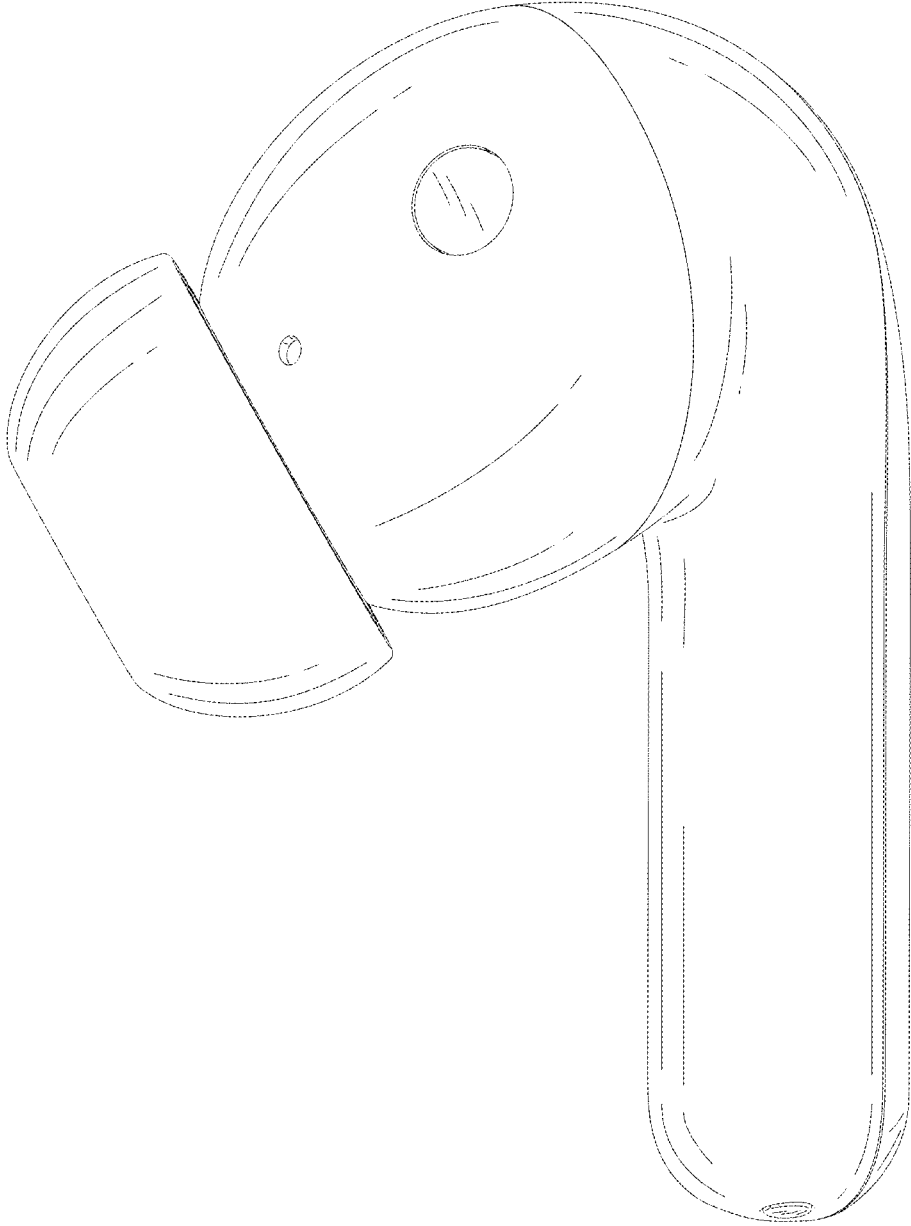


FIG. 7

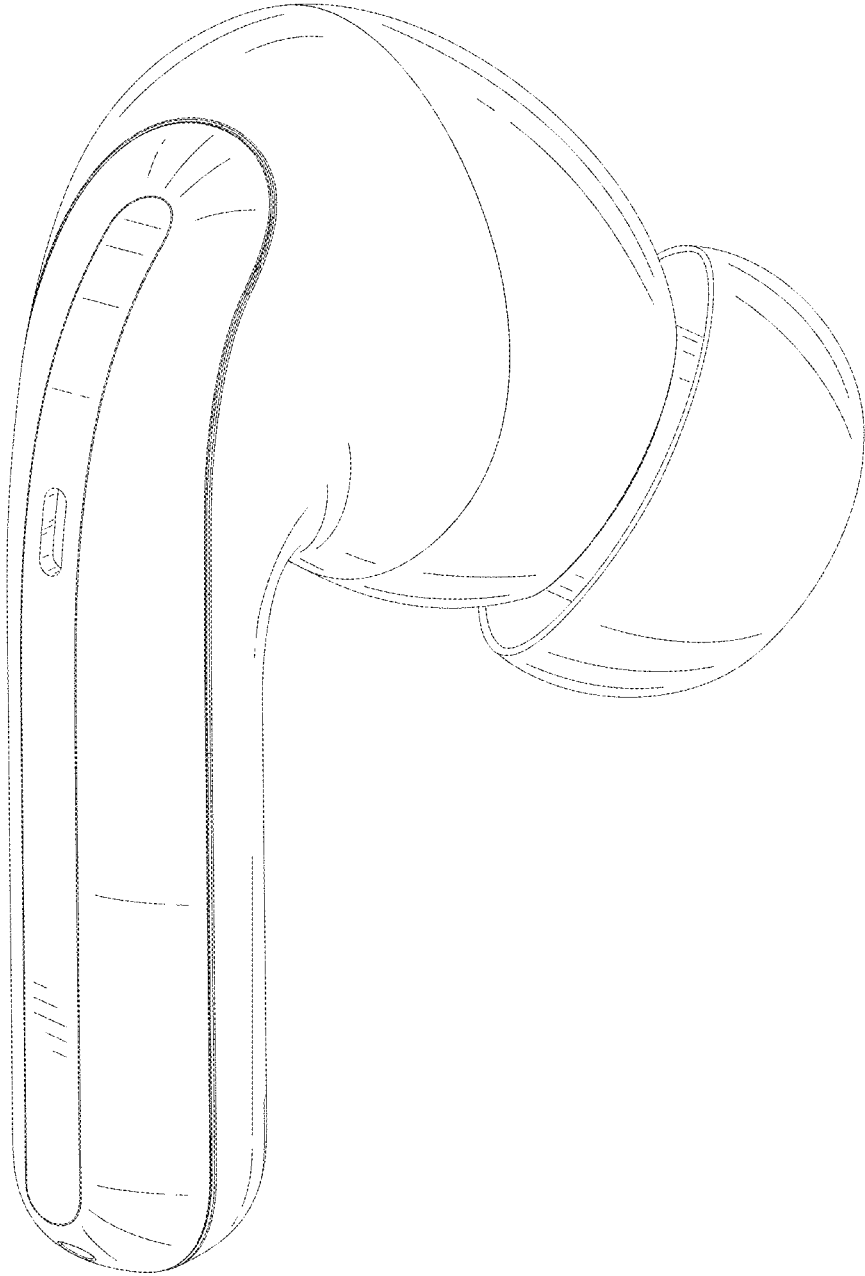


FIG. 8