



US00D379651S

**United States Patent** [19]  
**Rondeau**

[11] **Patent Number: Des. 379,651**  
[45] **Date of Patent: \*\*Jun. 3, 1997**

[54] **COMBINED DECORATIVE DISPLAY AND AROMATIC INFUSION DEVICE FOR SATCHETS OF POTPOURRI OR BATH HERBS**

[76] **Inventor: Shelley A. Rondeau, 609 Chapman St., Nanaimo, B.C., Canada, V9X 1G3**

[\*\*] **Term: 14 Years**

[21] **Appl. No.: 51,199**

[22] **Filed: Mar. 5, 1996**

[51] **LOC (6) Cl. .... 23-04**

[52] **U.S. Cl. .... D23/367; D23/368**

[58] **Field of Search .... D23/366-369; 261/DIG. 65; 422/125, 305, 306; 239/47, 44, 60, 57, 58, 56, 55, 34, 54, 59, 211; D9/451; D20/10, 19, 29; D11/157; 220/367.1, 373; 215/307, 309, 310**

[56] **References Cited**

**U.S. PATENT DOCUMENTS**

D. 103,209	2/1937	Beiser	.....	D9/336
D. 157,262	2/1950	Jung	.....	D9/451
D. 194,683	2/1963	Clegg	.....	D9/336
D. 237,619	11/1975	Levey	.....	D9/337

D. 289,678	5/1987	Kwiatkowski	.....	D23/367
2,955,889	10/1960	Brokamp	.....	239/56
4,905,898	3/1990	Wade	.....	239/57
4,928,881	5/1990	Barlics et al.	.....	239/44
5,064,624	11/1991	King	.....	239/34
5,201,025	4/1993	Landesberg	.....	392/392

*Primary Examiner*—Lisa Lichtenstein

[57] **CLAIM**

The ornamental design for a combined decorative display and aromatic infusion device for satchets of potpourri or bath herbs, as shown and described.

**DESCRIPTION**

FIG. 1 is a front elevational view of the combined decorative display and aromatic infusion device for satchets of potpourri or bath herbs showing my new design;  
 FIG. 2 is a rear elevational view thereof;  
 FIG. 3 is a right view thereof;  
 FIG. 4 is a left view thereof;  
 FIG. 5 is a top plan view thereof;  
 FIG. 6 is a bottom plan view thereof; and,  
 FIG. 7 is an exploded view thereof.

The cross-hatching in FIG. 7 represents conventional fabric and is understood to extend throughout the areas represented.

**1 Claim, 4 Drawing Sheets**

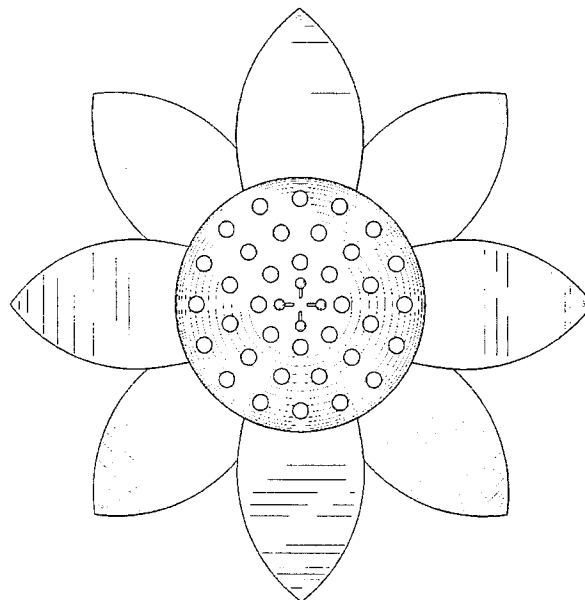
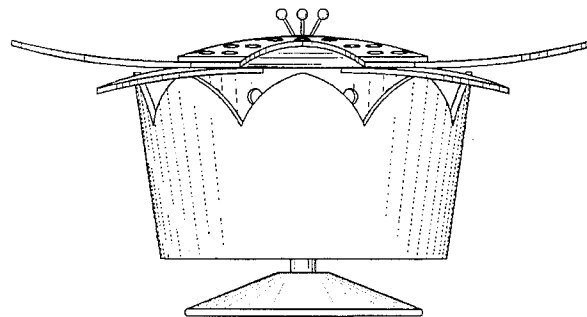


FIG. 1

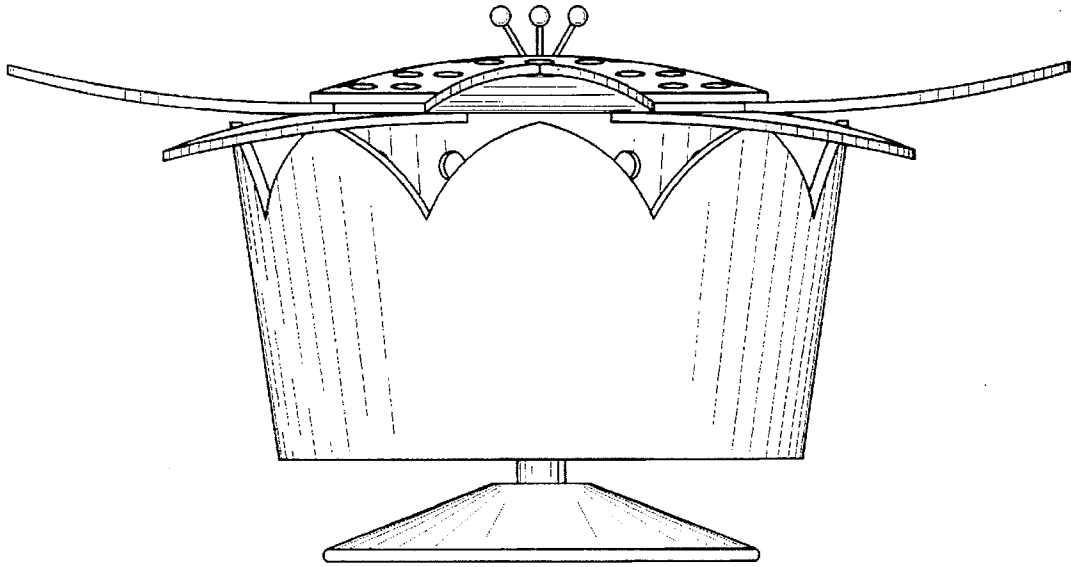


FIG. 2

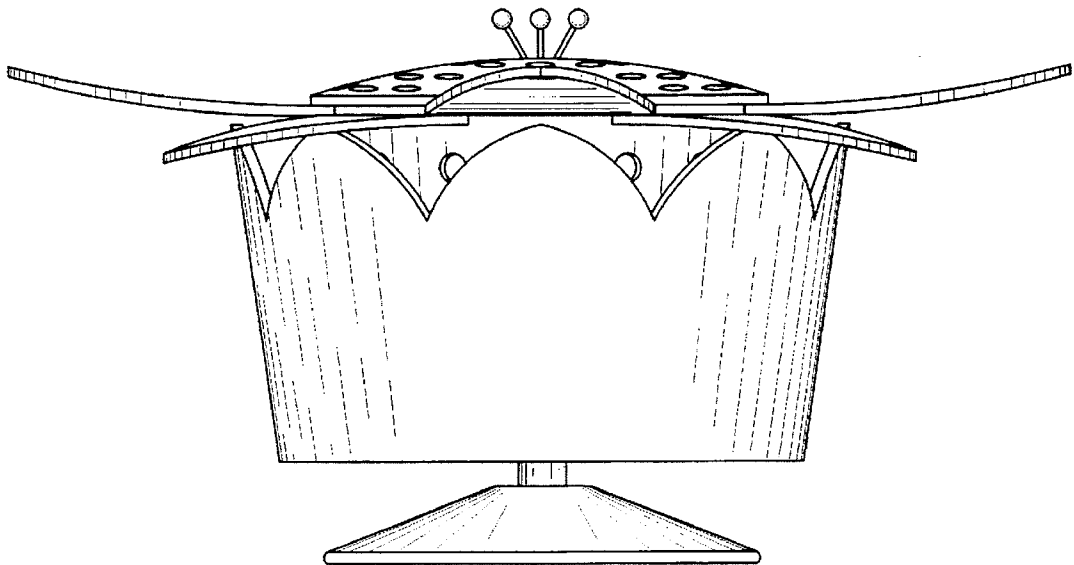


FIG. 3

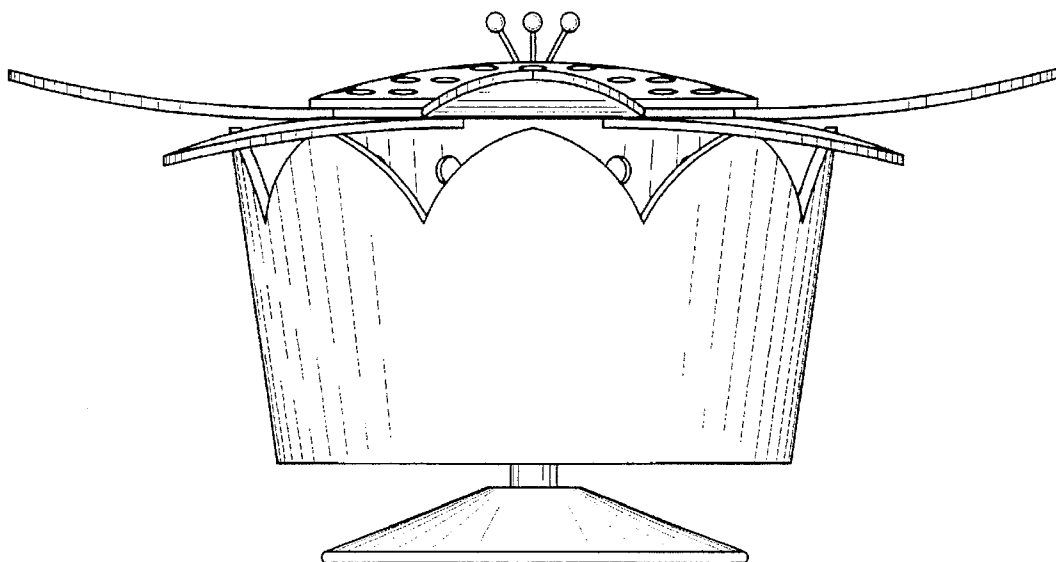


FIG. 4

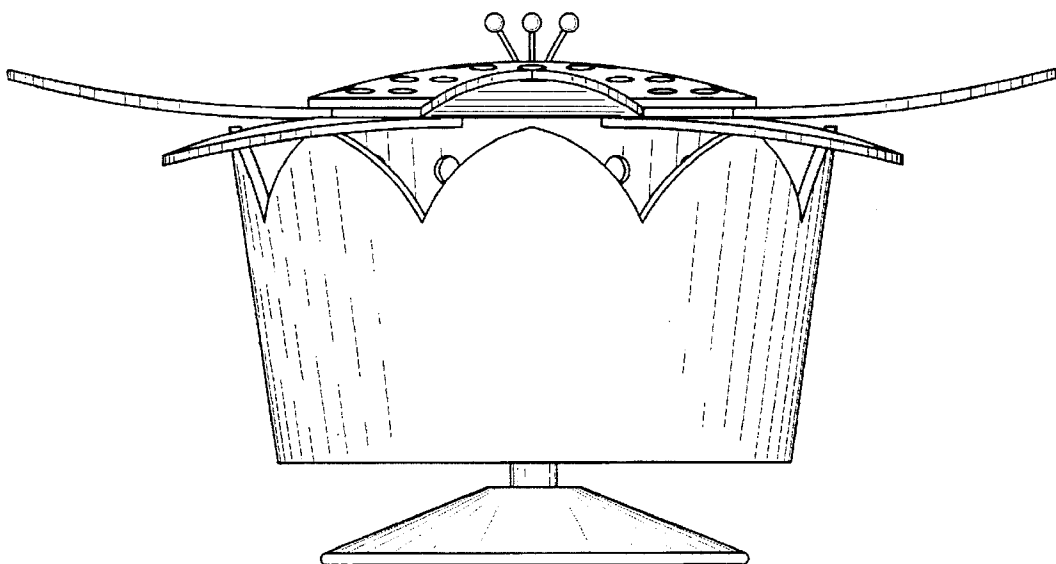


FIG. 5

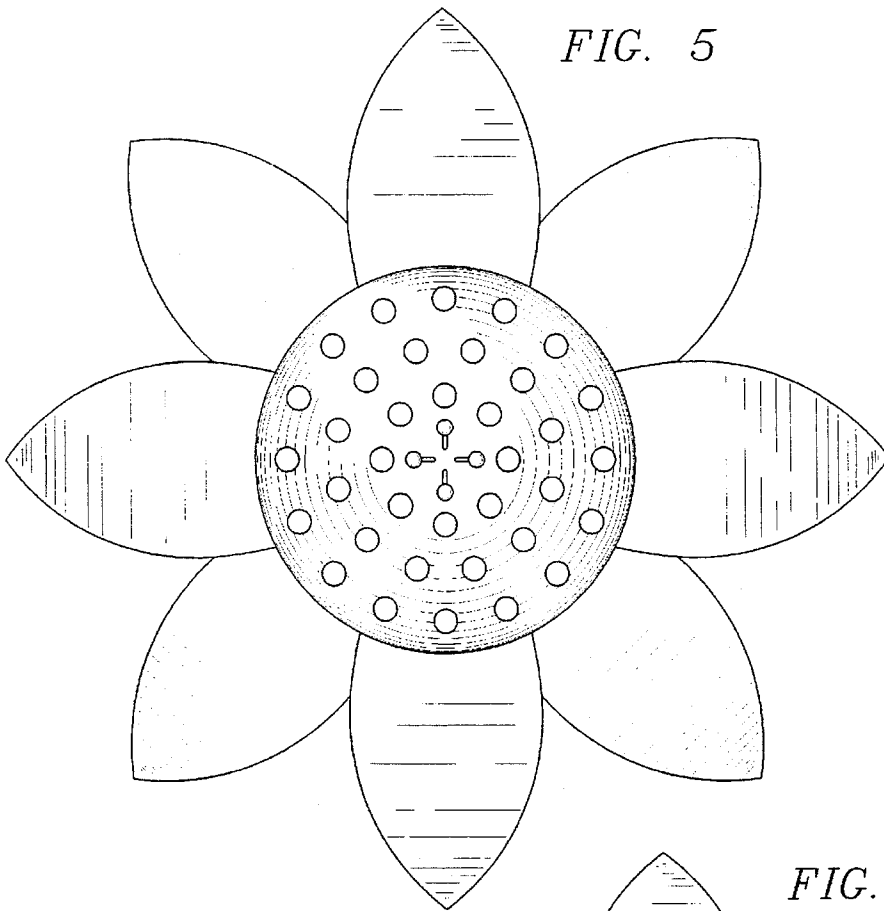


FIG. 6

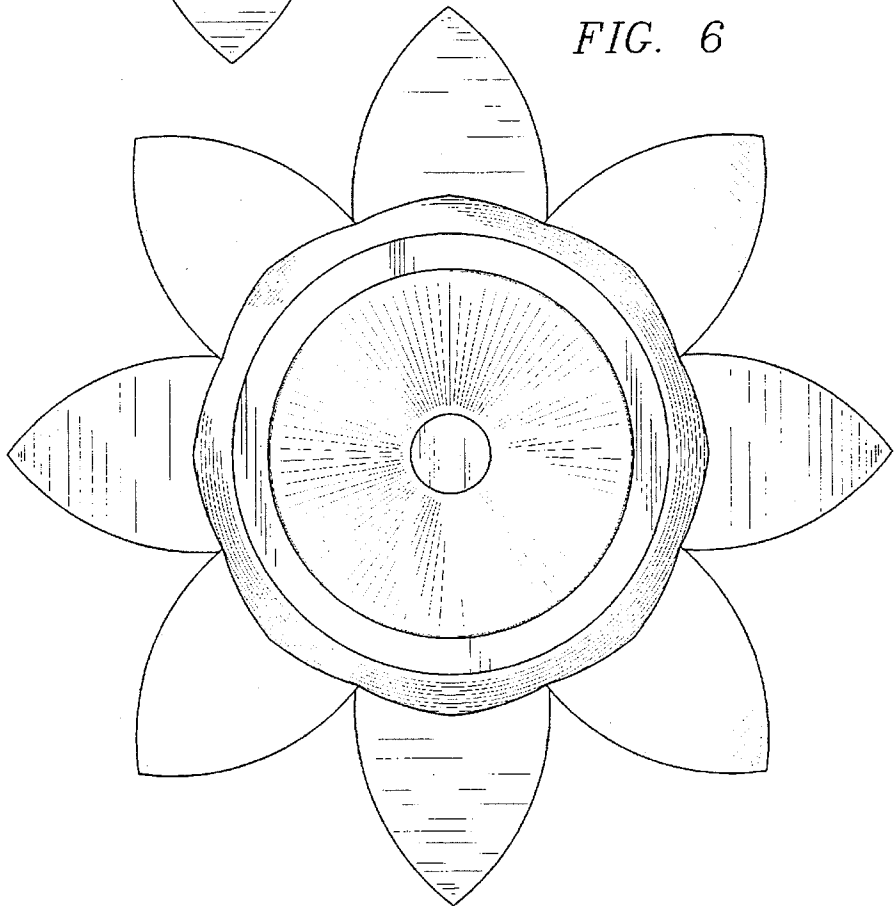


FIG. 7

