



US00D964741S

(12) **United States Design Patent**
Liu et al.

(10) **Patent No.:** **US D964,741 S**

(45) **Date of Patent:** **** Sep. 27, 2022**

(54) **FIREPROOF DOCUMENT BAG**

(71) Applicant: **Shenzhen Yihuaxing Technology Co., Ltd.**, Shenzhen (CN)

(72) Inventors: **Yuming Liu**, Lianyuan (CN); **Xuyang He**, Shuangfeng (CN)

(73) Assignee: **Shenzhen Yihuaxing Technology Co., Ltd.**, Shenzhen (CN)

(**) Term: **15 Years**

(21) Appl. No.: **29/790,426**

(22) Filed: **Nov. 26, 2021**

(51) **LOC (13) Cl.** **03-01**

(52) **U.S. Cl.**

USPC **D3/300; D3/301; D3/303; D19/86**

(58) **Field of Classification Search**

USPC **D3/246, 273, 274, 276, 283, 286, 289, D3/290, 299, 300, 301, 902, 303; D19/86**

CPC **B60R 7/02; A45C 7/0036; B65D 2213/02**
See application file for complete search history.

(56) **References Cited**

U.S. PATENT DOCUMENTS

D503,535 S *	4/2005	Kraft	D3/227
D679,499 S *	4/2013	Harris	D3/303
D828,032 S *	9/2018	Brundage	D3/303
D831,498 S *	10/2018	Zhang	D9/702
D865,363 S	11/2019	Liu	
D869,846 S *	12/2019	Liu	D3/301
D873,565 S *	1/2020	Long	D3/290
D874,150 S	2/2020	Liu	
D899,090 S *	10/2020	Zhang	D3/299

D918,583 S	5/2021	Fu	
D947,679 S *	4/2022	Hughes	D9/702
2018/0201412 A1 *	7/2018	Parque	B65D 27/005

OTHER PUBLICATIONS

Amazon, "Fireproof Document Bag with Lock . . .", First on sale Dec. 13, 2021. (<https://www.amazon.com/dp/B09NJM24Z9/>) (Year: 2021).*

* cited by examiner

Primary Examiner — April Rivas

(74) *Attorney, Agent, or Firm* — Zhihua Han

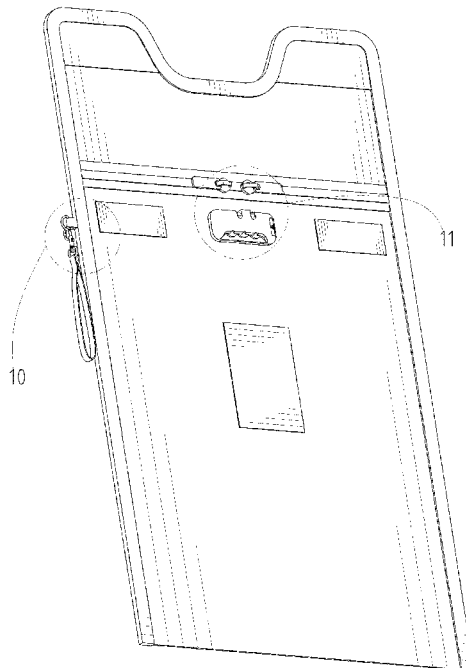
(57) **CLAIM**

The ornamental design for a fireproof document bag, as shown and described.

DESCRIPTION

FIG. 1 is a front perspective view of a fireproof document bag showing our new design;
 FIG. 2 is a rear perspective view thereof;
 FIG. 3 is a front view thereof;
 FIG. 4 is a back view thereof;
 FIG. 5 is a left side view thereof;
 FIG. 6 is a right side view thereof;
 FIG. 7 is a top view thereof;
 FIG. 8 is a bottom view thereof;
 FIG. 9 is a front perspective view of the fireproof document bag in a closed configuration there;
 FIG. 10 is an enlarged view of the selected portion in FIG. 1; and,
 FIG. 11 is an enlarged view of the selected portion in FIG. 1.

1 Claim, 11 Drawing Sheets



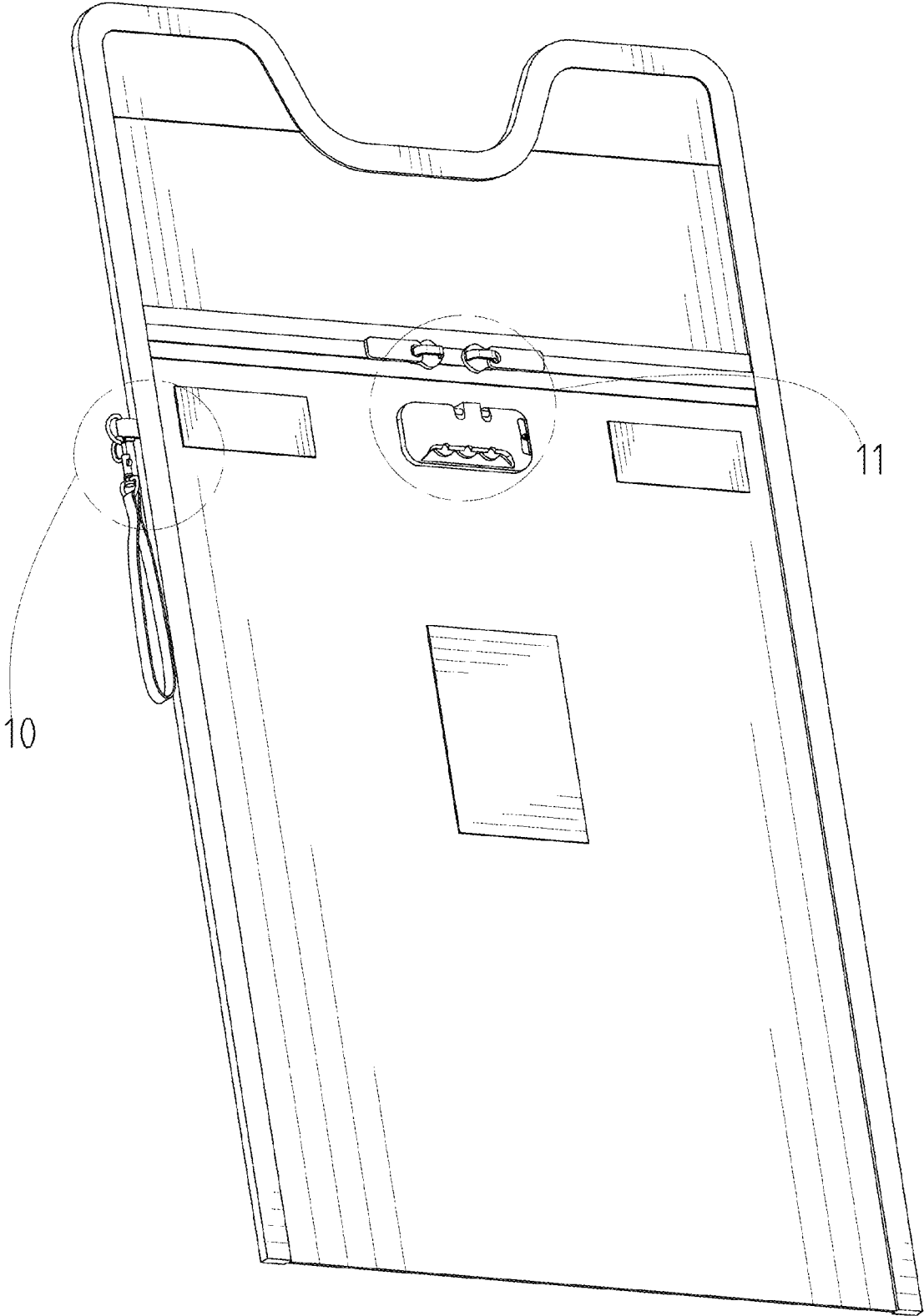


FIG. 1

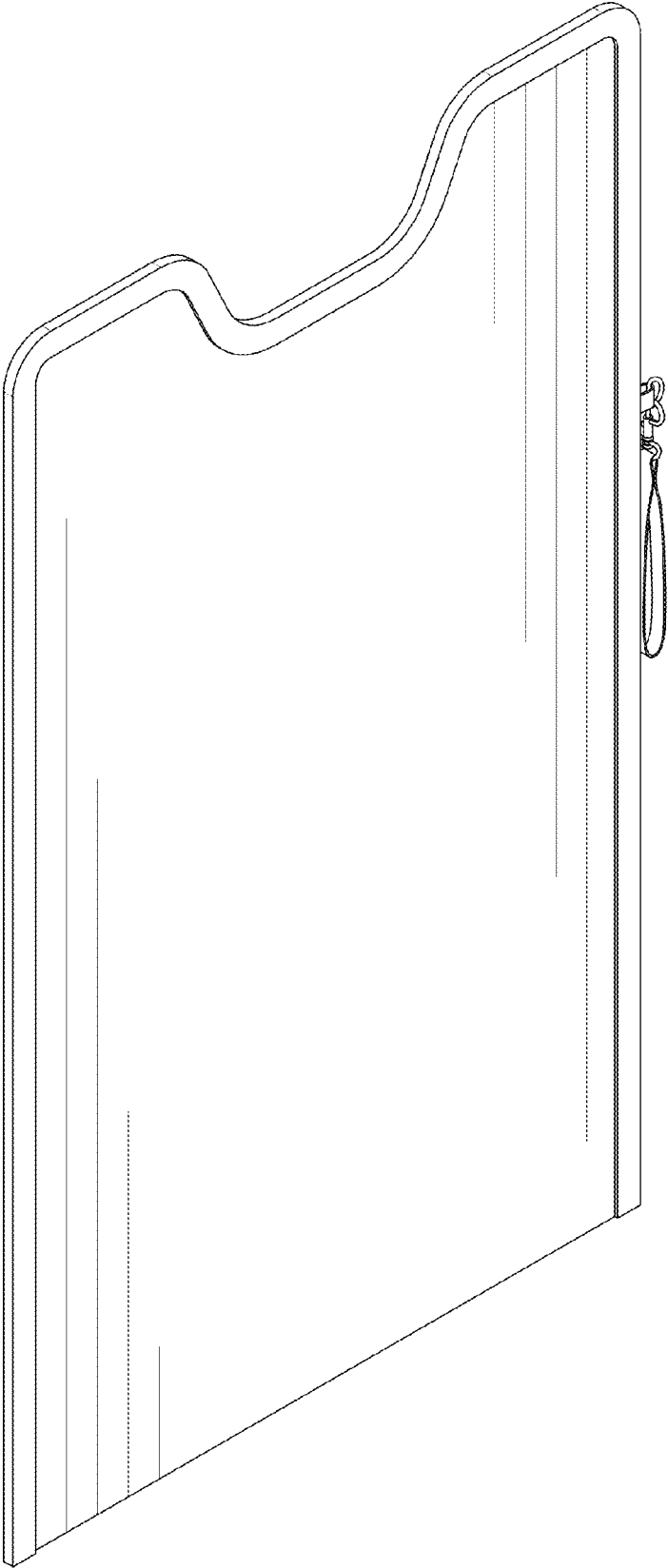


FIG. 2

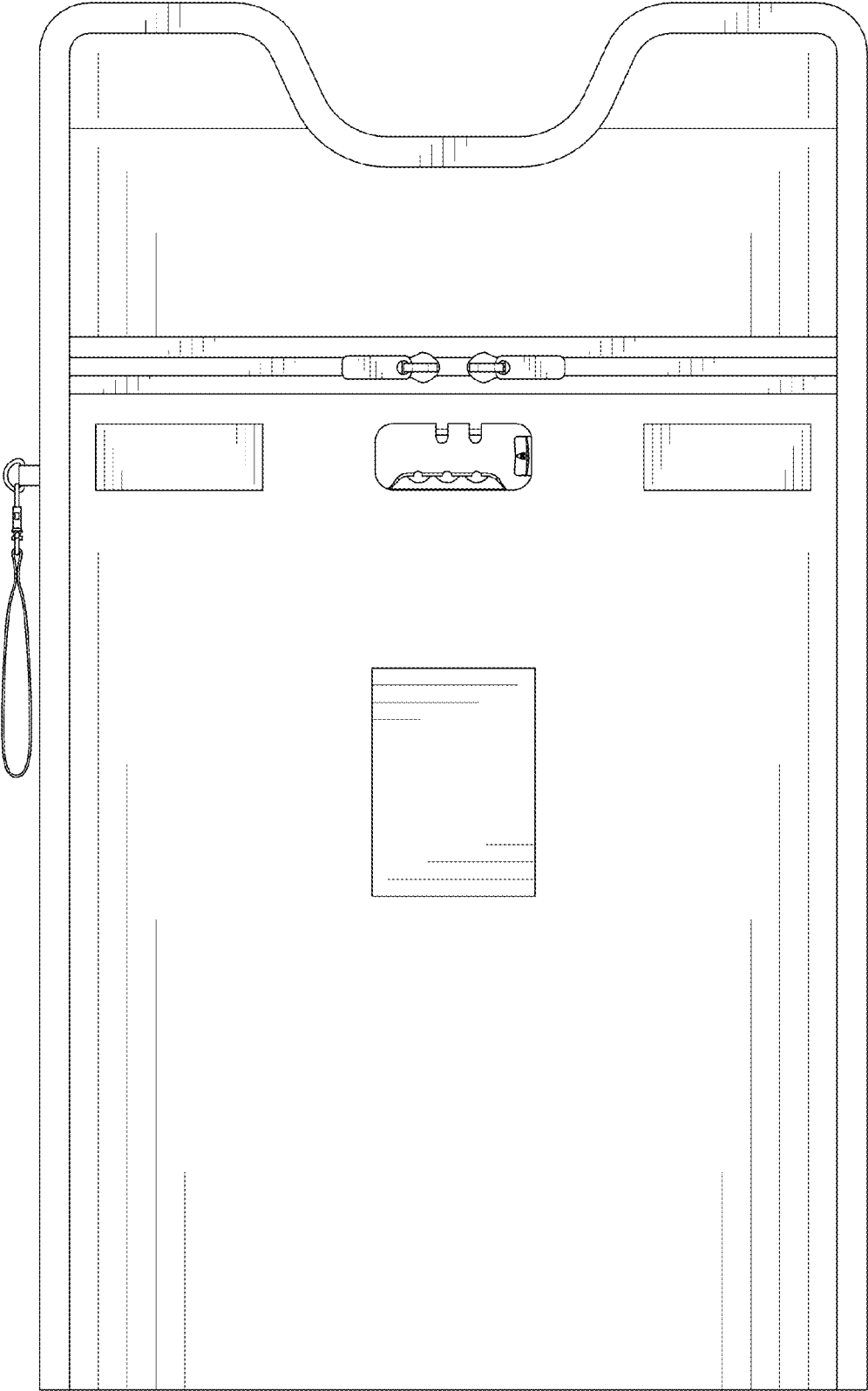


FIG. 3

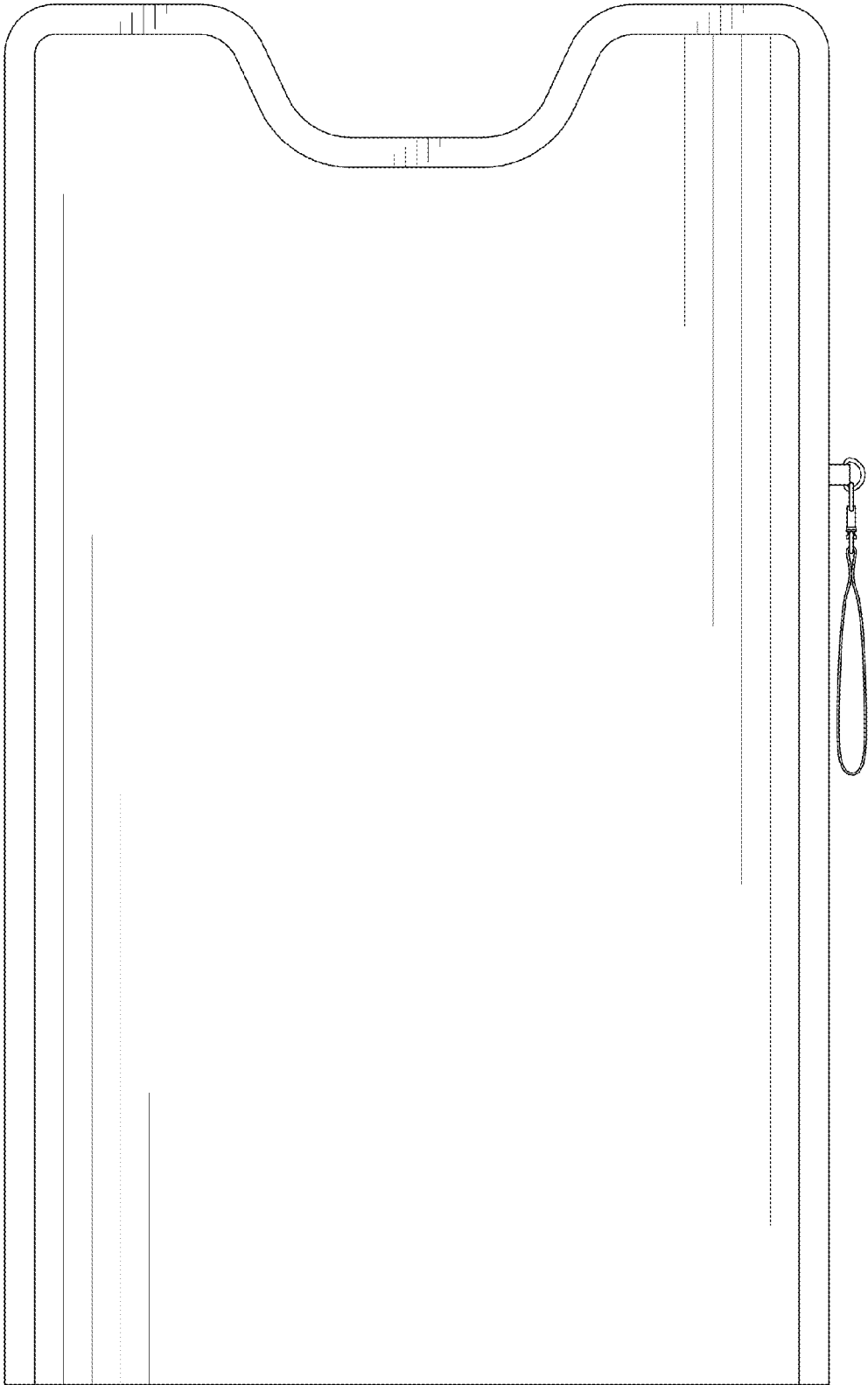


FIG. 4

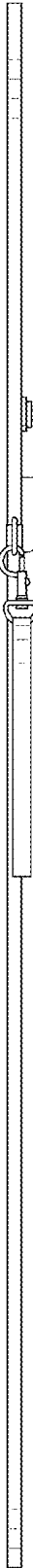


FIG. 5

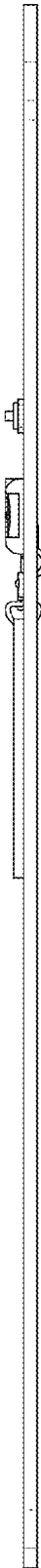


FIG. 6

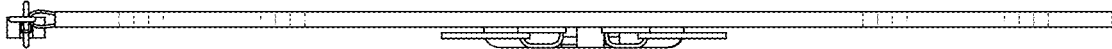


FIG. 7

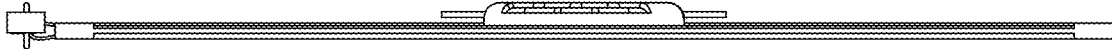


FIG. 8

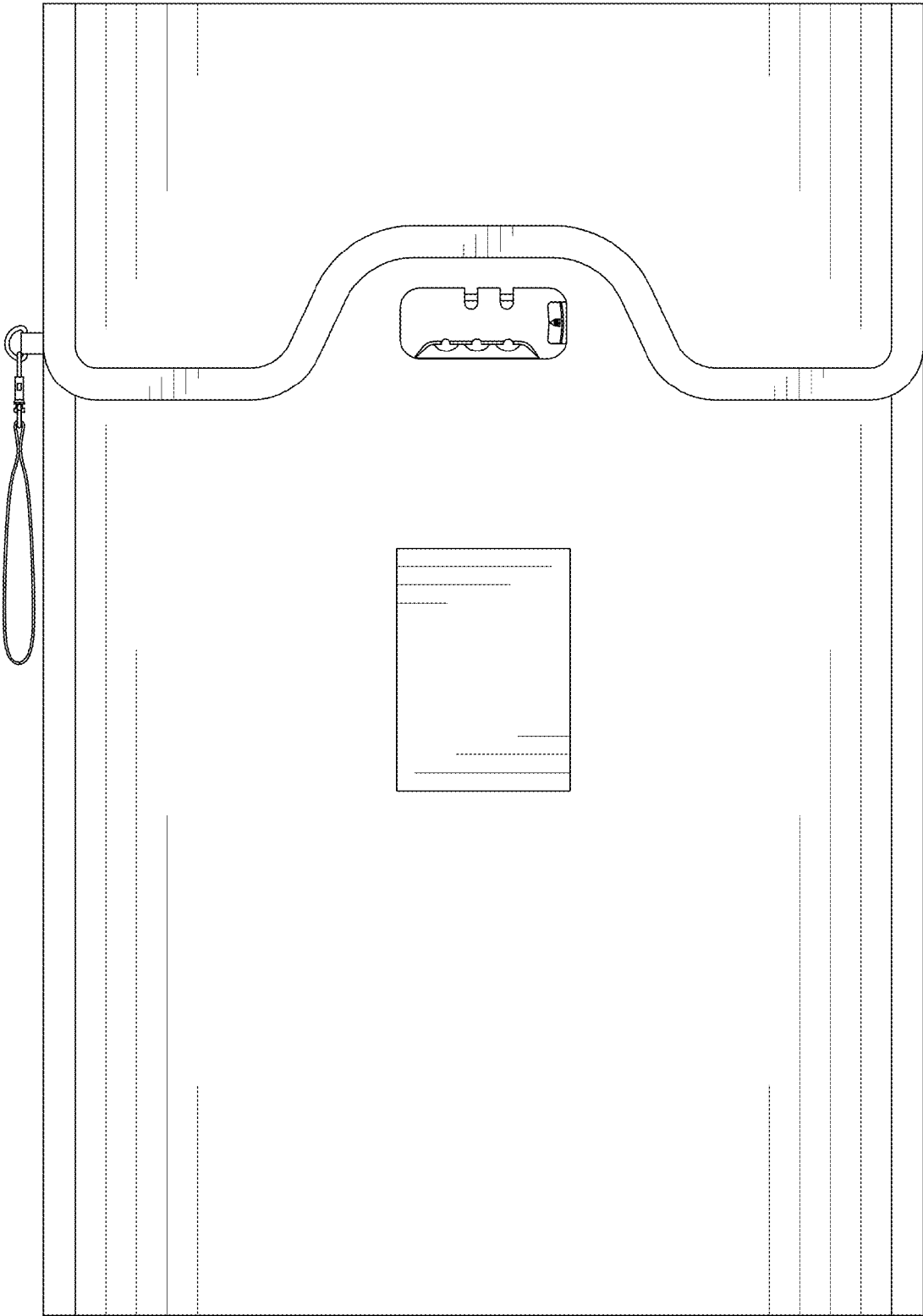


FIG. 9

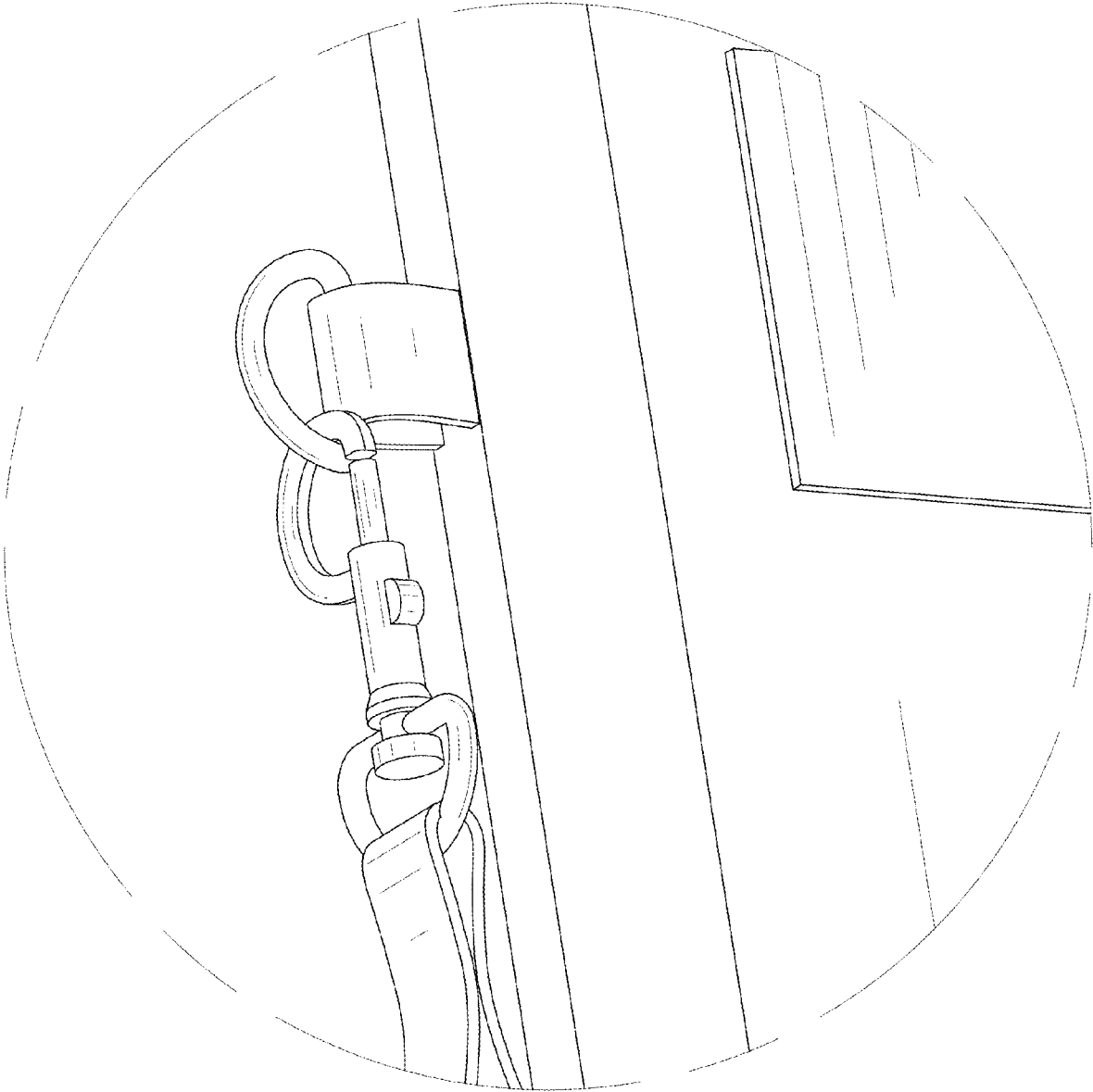


FIG. 10

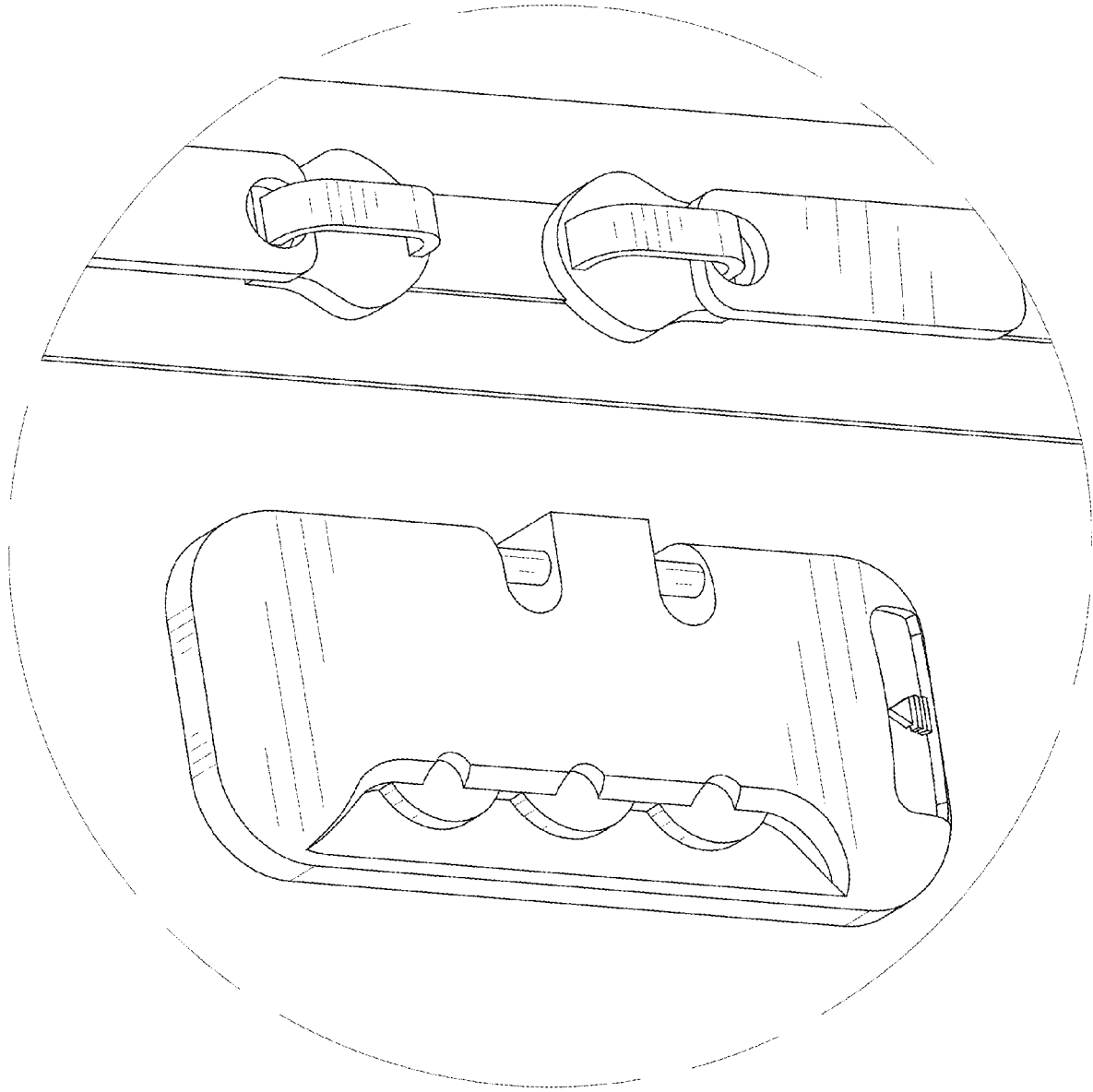


FIG. 11