



US00D330499S

United States Patent [19]

Wilson et al.

[11] Patent Number: **Des. 330,499**

[45] Date of Patent: **** Oct. 27, 1992**

- [54] **DOOR HINGE**
- [75] Inventors: **Donald J. Wilson, Granger; Max Young, Albion, both of Ind.**
- [73] Assignee: **Holiday Rambler Corporation, Wakarusa, Ind.**
- [**] Term: **14 Years**
- [21] Appl. No.: **334,997**
- [22] Filed: **Apr. 6, 1989**
- [52] U.S. Cl. **D8/323**
- [58] Field of Search **D8/323; D12/173; D32/54; 16/121, 221, 282, 287, 388; 180/69.2**

D. 313,296 12/1990 Abbey D32/54

FOREIGN PATENT DOCUMENTS

0000277 1/1979 European Pat. Off. 16/287
 0006174 1/1984 Japan 180/69.2

Primary Examiner—Bernard Ansher
Assistant Examiner—Sandra Morris
Attorney, Agent, or Firm—Leydig, Voit & Mayer

[57] CLAIM

The ornamental design for a door hinge, as shown and described.

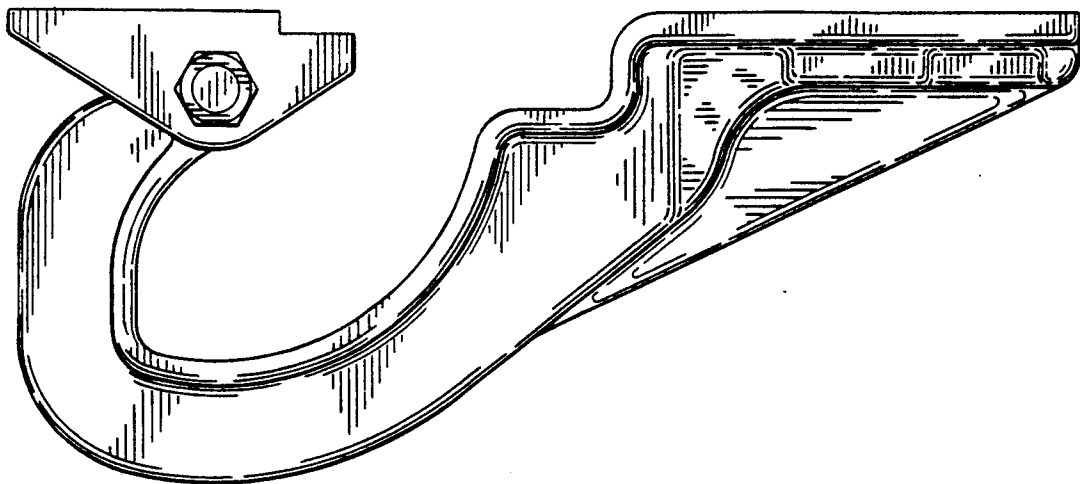
DESCRIPTION

FIG. 1 is a front elevational view of a door hinge, showing our new design, the rear being a mirror image; FIG. 2 is a top plan view thereof; FIG. 3 is a left side elevational view thereof; and, FIG. 4 is a right side elevational view thereof.

[56] References Cited

U.S. PATENT DOCUMENTS

D. 240,392 7/1976 Gorton D8/323
 D. 309,704 8/1990 Grass D8/323



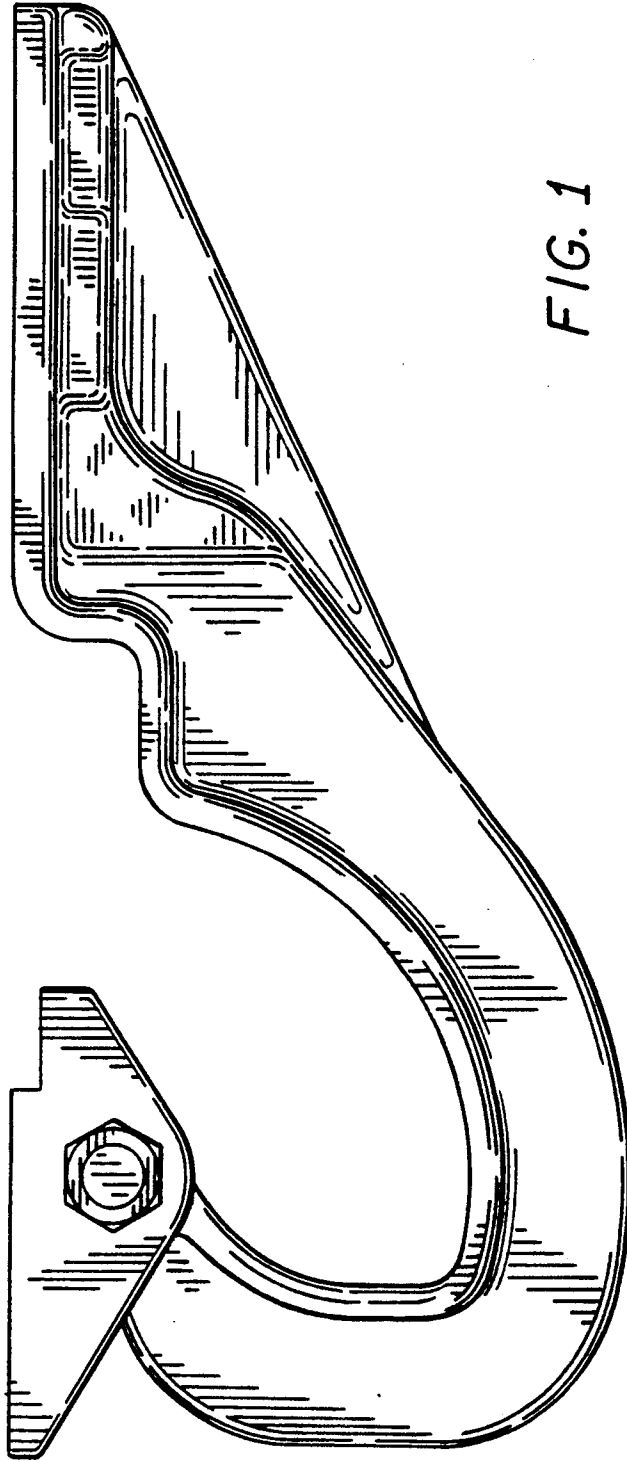


FIG. 1

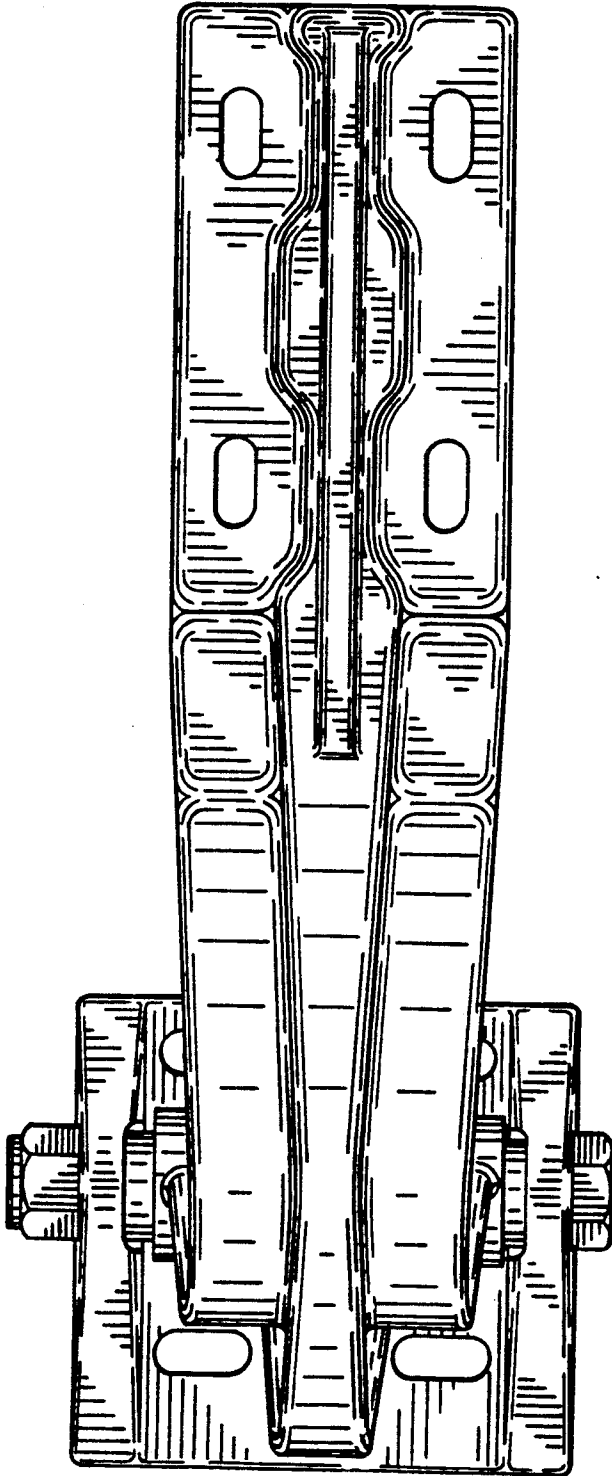


FIG. 2

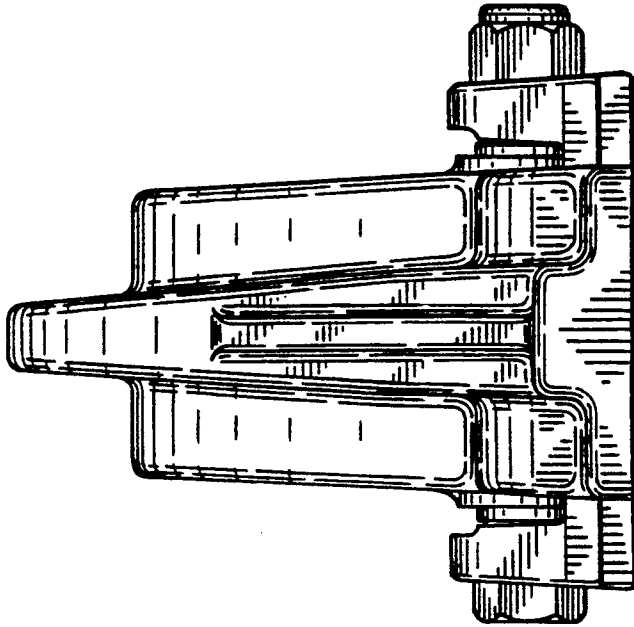


FIG. 4

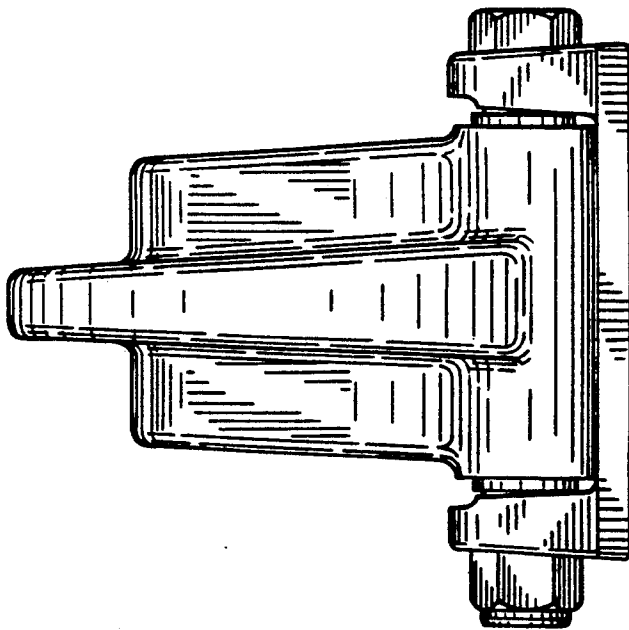


FIG. 3